



US00D782996S

(12) **United States Design Patent**
Zhu

(10) **Patent No.:** **US D782,996 S**

(45) **Date of Patent:** **** Apr. 4, 2017**

(54) **WIRELESS HEADSET**

(71) Applicant: **Jianrong Zhu**, Dongguan (CN)

(72) Inventor: **Jianrong Zhu**, Dongguan (CN)

(**) Term: **15 Years**

(21) Appl. No.: **29/546,103**

(22) Filed: **Nov. 19, 2015**

(51) **LOC (10) Cl.** **14-01**

(52) **U.S. Cl.**

USPC **D14/205**

(58) **Field of Classification Search**

USPC D14/205, 223; D24/174; 128/864-867;
181/129, 130, 135; 379/430, 431;
381/380, 381, 385, 374, 330, 375, 151;
455/569.1

CPC H04R 1/10; H04R 25/00; H04R 1/105;
H04R 1/1016; H04R 1/1066; H04R
25/65; H04R 1/1033

See application file for complete search history.

(56) **References Cited**

U.S. PATENT DOCUMENTS

4,917,504	A *	4/1990	Scott	H04M 1/05 381/330
4,972,468	A *	11/1990	Murase	H04B 1/385 379/430
D354,568	S *	1/1995	Araki	D24/174
5,450,496	A *	9/1995	Burris	H04M 1/05 381/375
D371,133	S *	6/1996	Andrea	D14/206
D375,959	S *	11/1996	Davis	D14/206
D407,089	S *	3/1999	Norin	D14/206
D460,436	S *	7/2002	Bjorklund	D14/205
D468,299	S *	1/2003	Boesen	D14/223
D470,121	S *	2/2003	Nguyen	D14/205
6,771,790	B2 *	8/2004	Liu	H04M 1/05 381/375

D510,575	S *	10/2005	Leong	D14/205
D515,069	S *	2/2006	Naito	D14/205
D541,787	S *	5/2007	Ma	D14/205
7,231,056	B2 *	6/2007	Chen	H04R 1/1066 381/374
D550,202	S *	9/2007	Meier	D14/206
D556,735	S *	12/2007	Yeo	D14/206
D559,831	S *	1/2008	Lee	D14/205
D575,772	S *	8/2008	Schultz	D14/206
D593,075	S *	5/2009	Williams	D14/223
D603,847	S *	11/2009	Chung	D14/223
7,648,005	B2 *	1/2010	Leong	A61F 11/08 128/867
D612,834	S *	3/2010	Yang	D14/206
D619,561	S *	7/2010	Yang	D14/205
D624,529	S *	9/2010	Huang	D14/206
7,841,446	B2 *	11/2010	Leong	A61F 11/08 128/867
D630,186	S *	1/2011	Yang	D14/205

(Continued)

Primary Examiner — Paula Greene

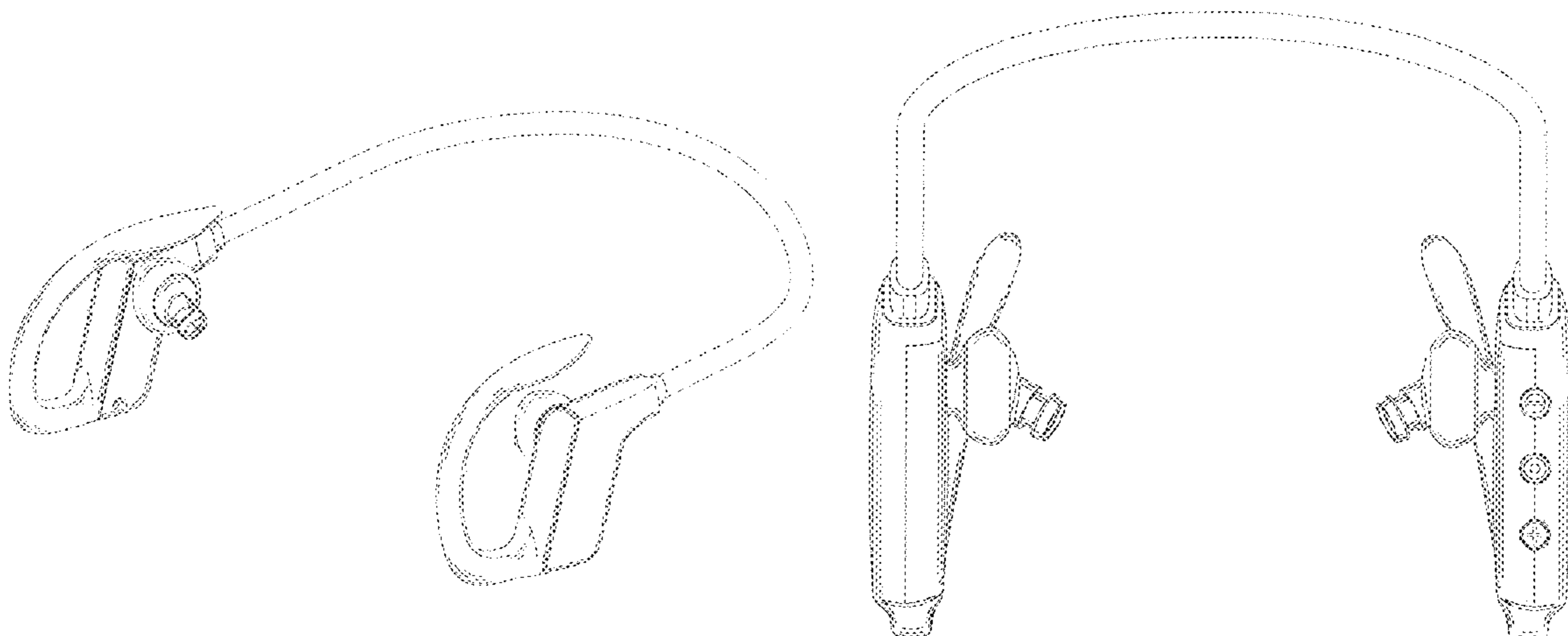
(57) **CLAIM**

The ornamental design for wireless headset, as shown and described.

DESCRIPTION

FIG. 1 is a perspective view of a wireless headset, showing my new design;
FIG. 2 is a front elevational view thereof;
FIG. 3 is a rear elevational view thereof;
FIG. 4 is a left elevational view thereof;
FIG. 5 is a right elevational view thereof;
FIG. 6 is a top elevational view thereof; and,
FIG. 7 is a bottom elevational view thereof.
The broken lines depict environment in the Figures that is for the purpose of illustration and forms no part of the claimed design.

1 Claim, 7 Drawing Sheets



(56)

References Cited

U.S. PATENT DOCUMENTS

D635,960	S *	4/2011	Gondo	D14/223
D643,830	S *	8/2011	Fish	D14/205
8,265,328	B2 *	9/2012	Milde	H04R 1/1066 381/370
D681,002	S *	4/2013	Ham	D14/205
D685,768	S *	7/2013	Mogili	D14/223
D690,681	S *	10/2013	Ito	D14/205
D691,105	S *	10/2013	Ito	D14/205
D695,275	S *	12/2013	Chee	D14/223
D712,382	S *	9/2014	Brunner	D14/223
D725,637	S *	3/2015	Nakajima	D14/223
D740,260	S *	10/2015	Brunner	D14/223
D741,299	S *	10/2015	Brunner	D14/223
D743,945	S *	11/2015	Brunner	D14/223
D743,946	S *	11/2015	Brunner	D14/223
D756,959	S *	5/2016	Lee	D14/205
D771,587	S *	11/2016	Iwane	D14/205
2003/0044038	A1 *	3/2003	Shirata	H04R 1/105 381/381
2007/0230735	A1 *	10/2007	Sung	H04R 1/1058 381/374
2014/0294214	A1 *	10/2014	Zhao	H04R 25/608 381/330

* cited by examiner

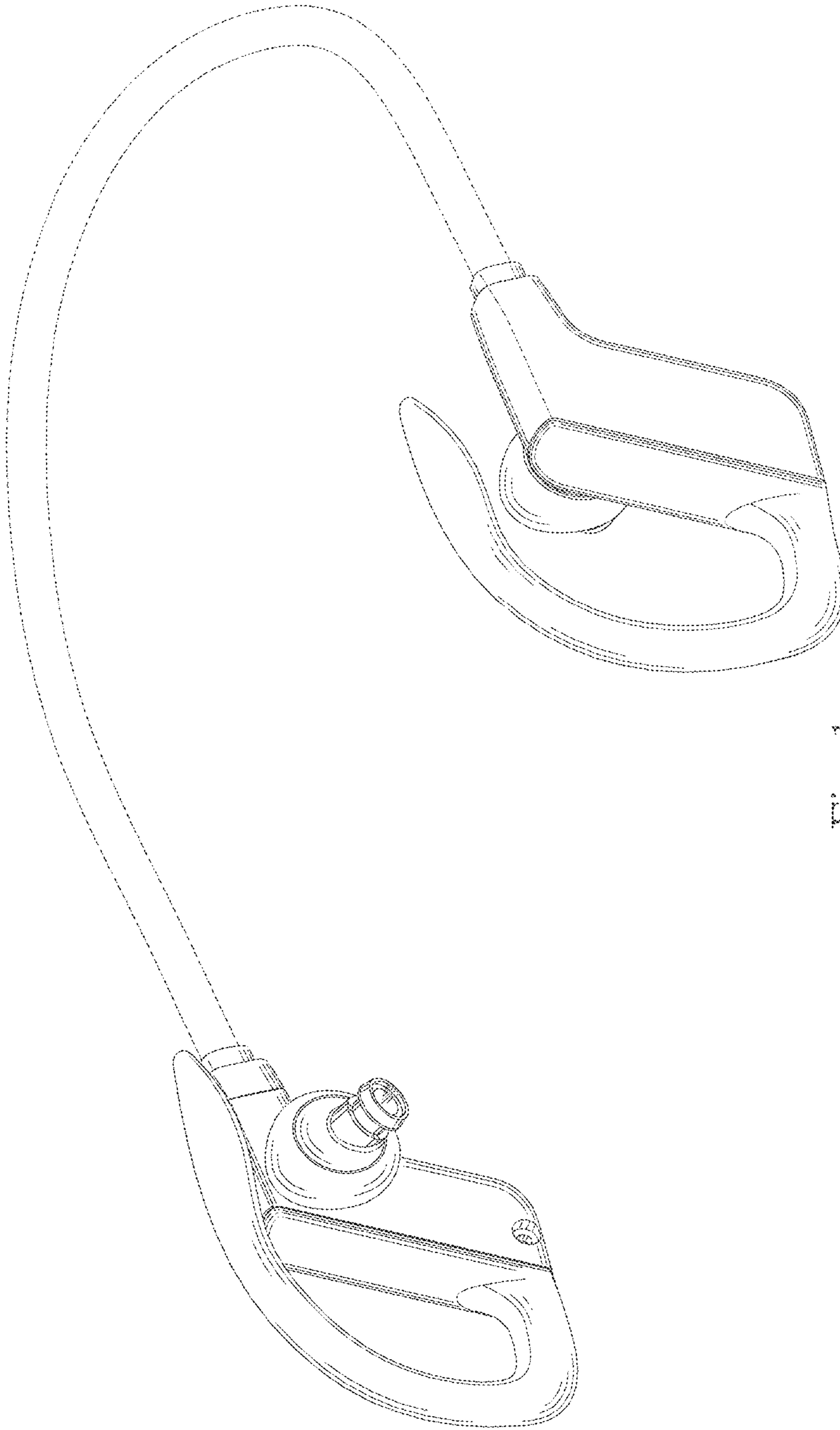


Fig. 1

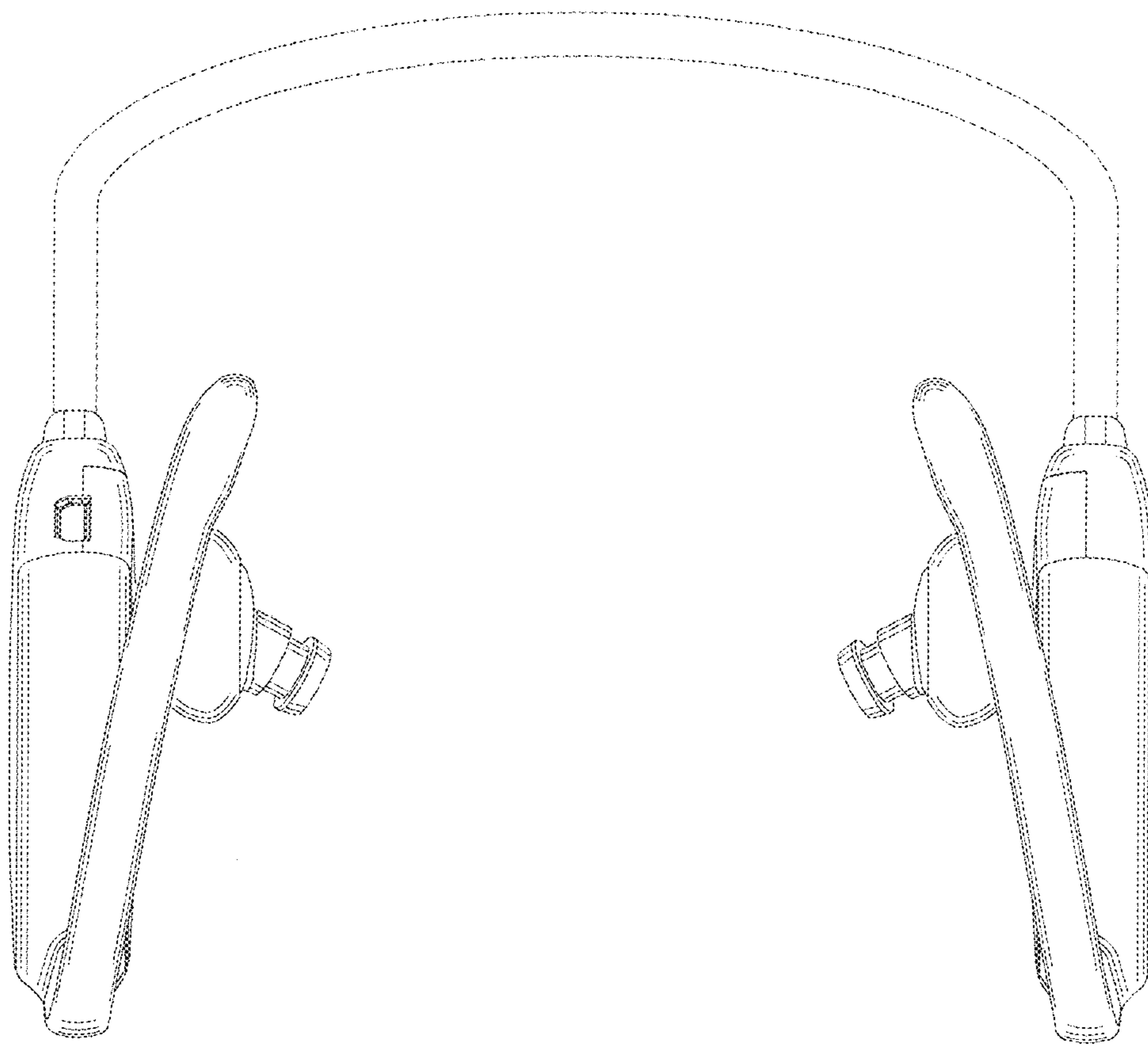


Fig. 2

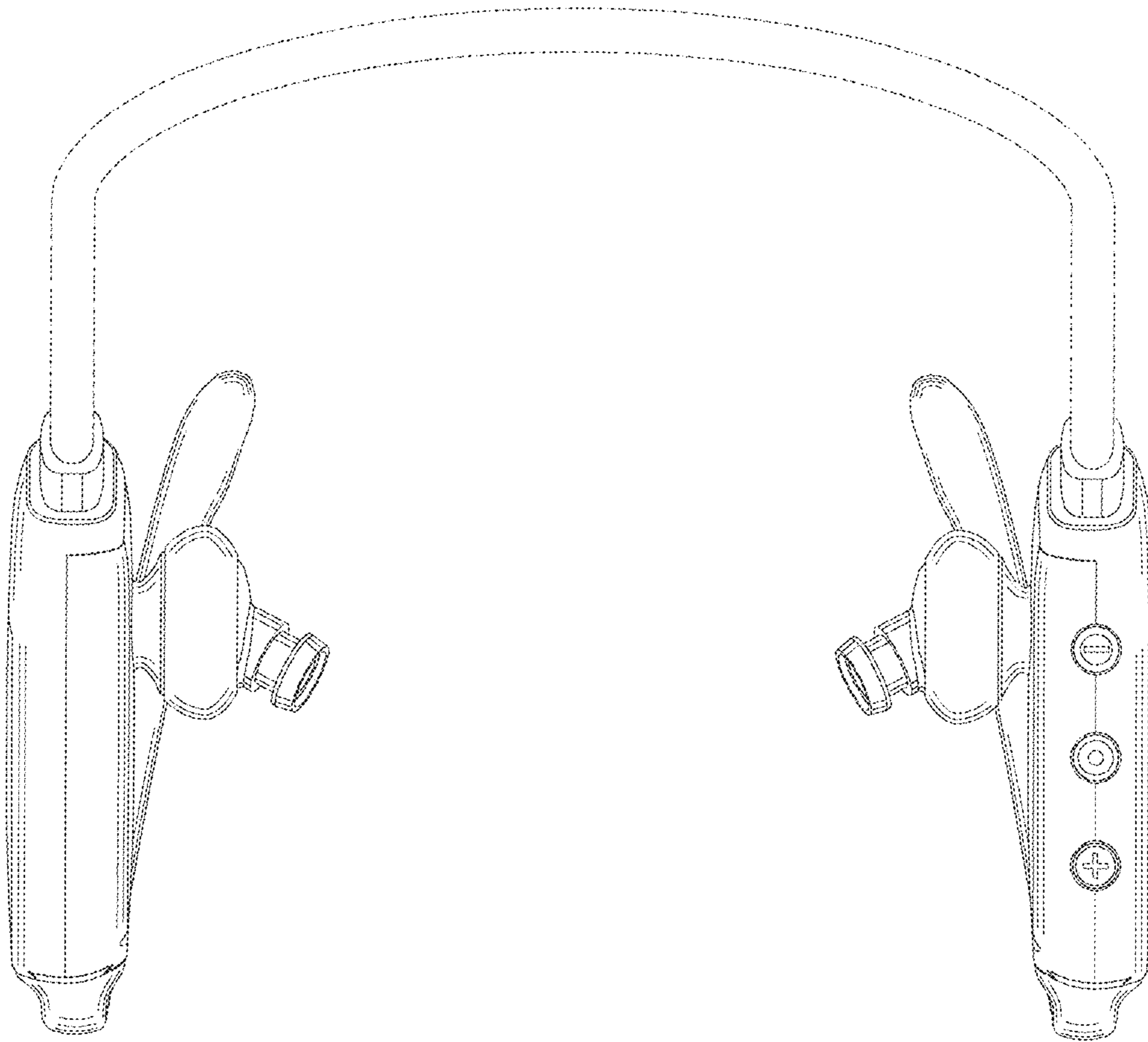


Fig. 3

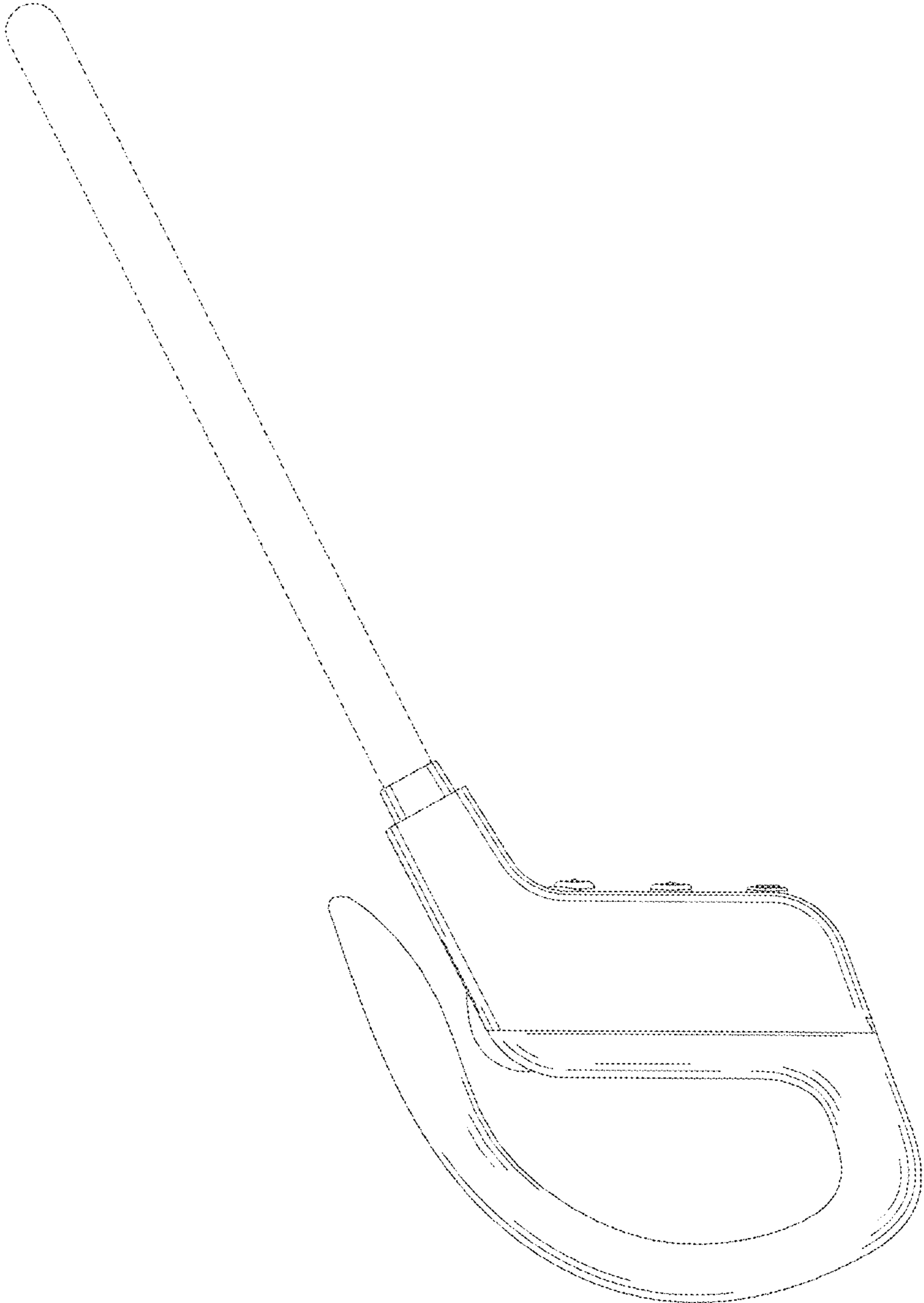


Fig. 4

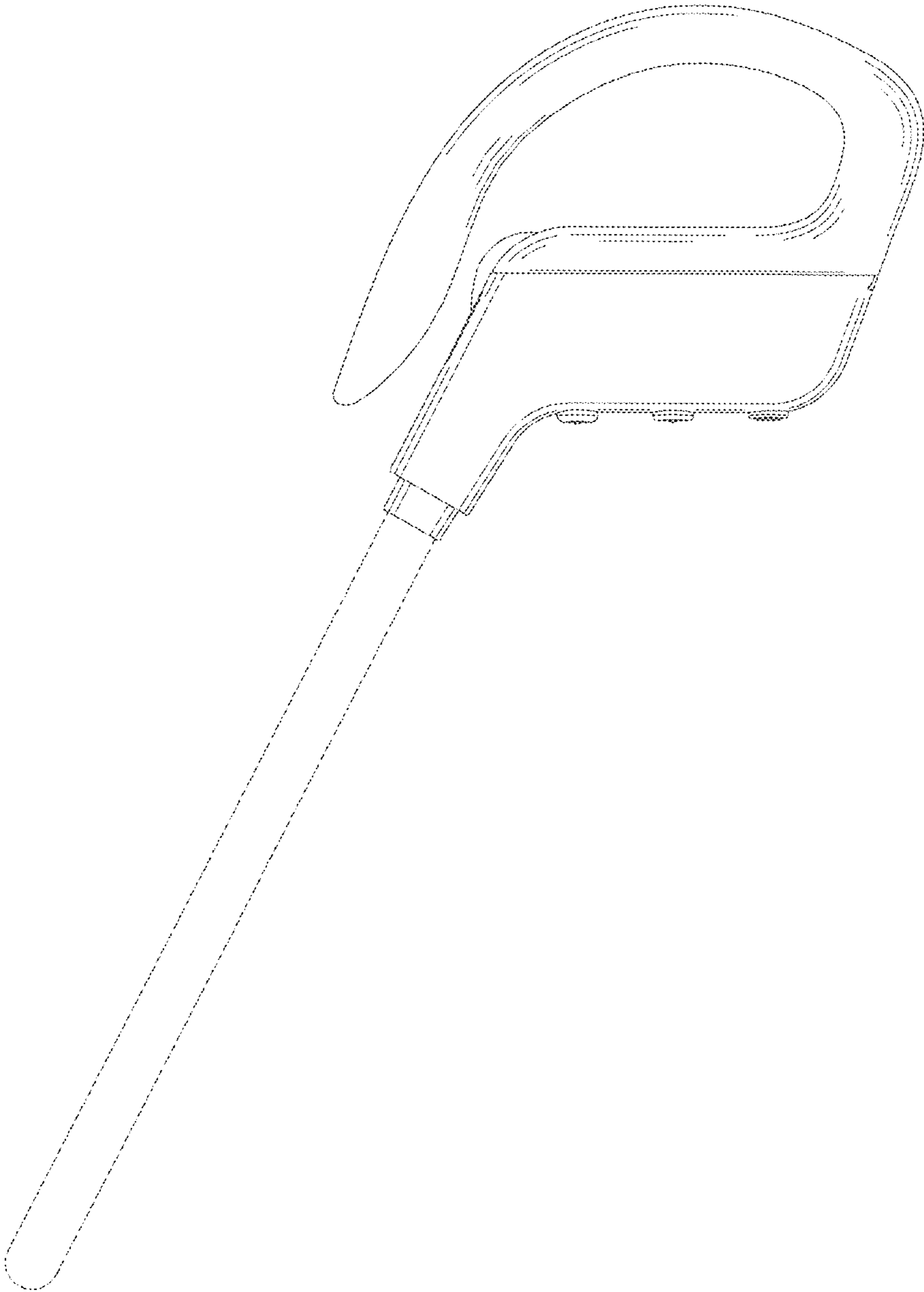


Fig. 5

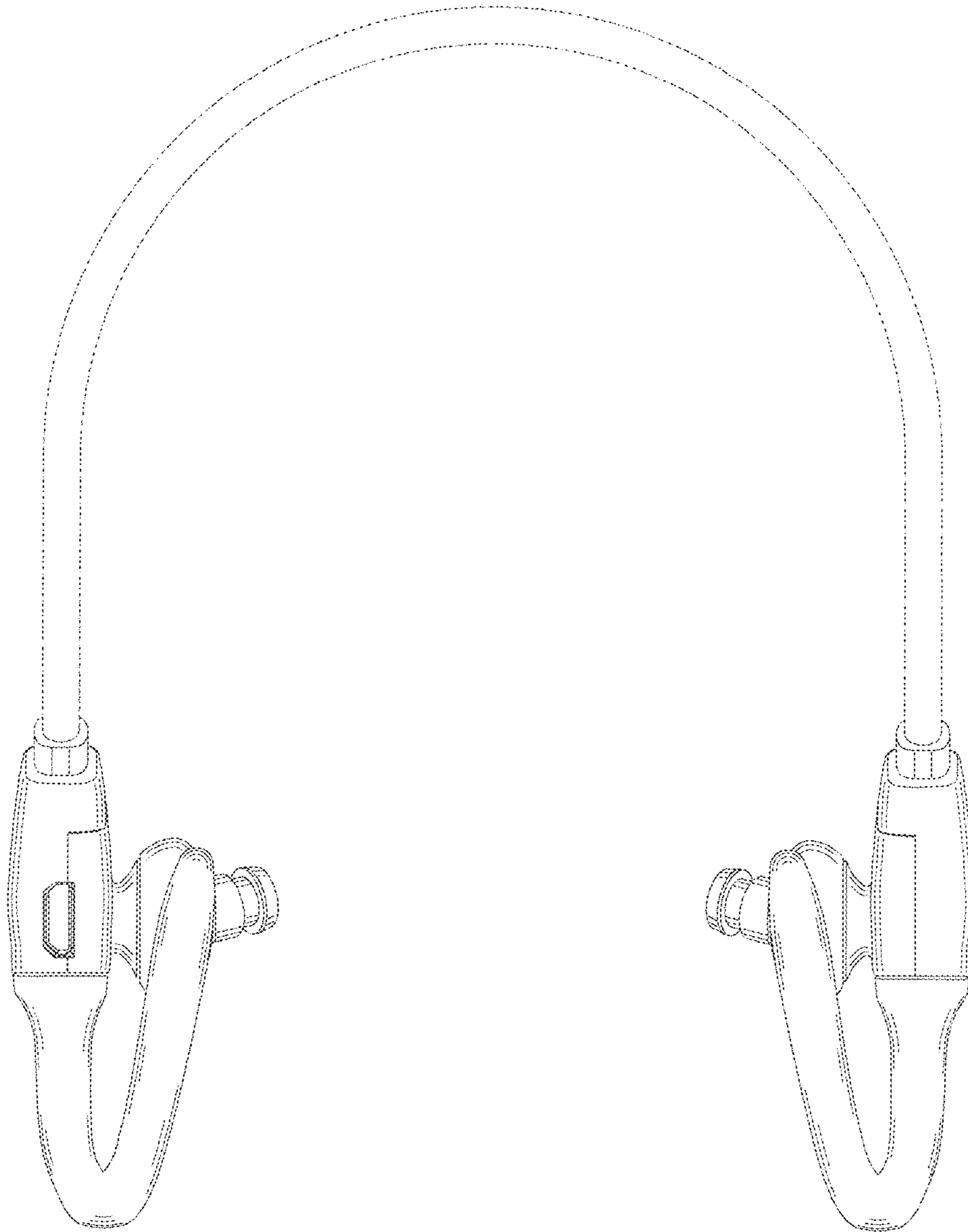


Fig. 6

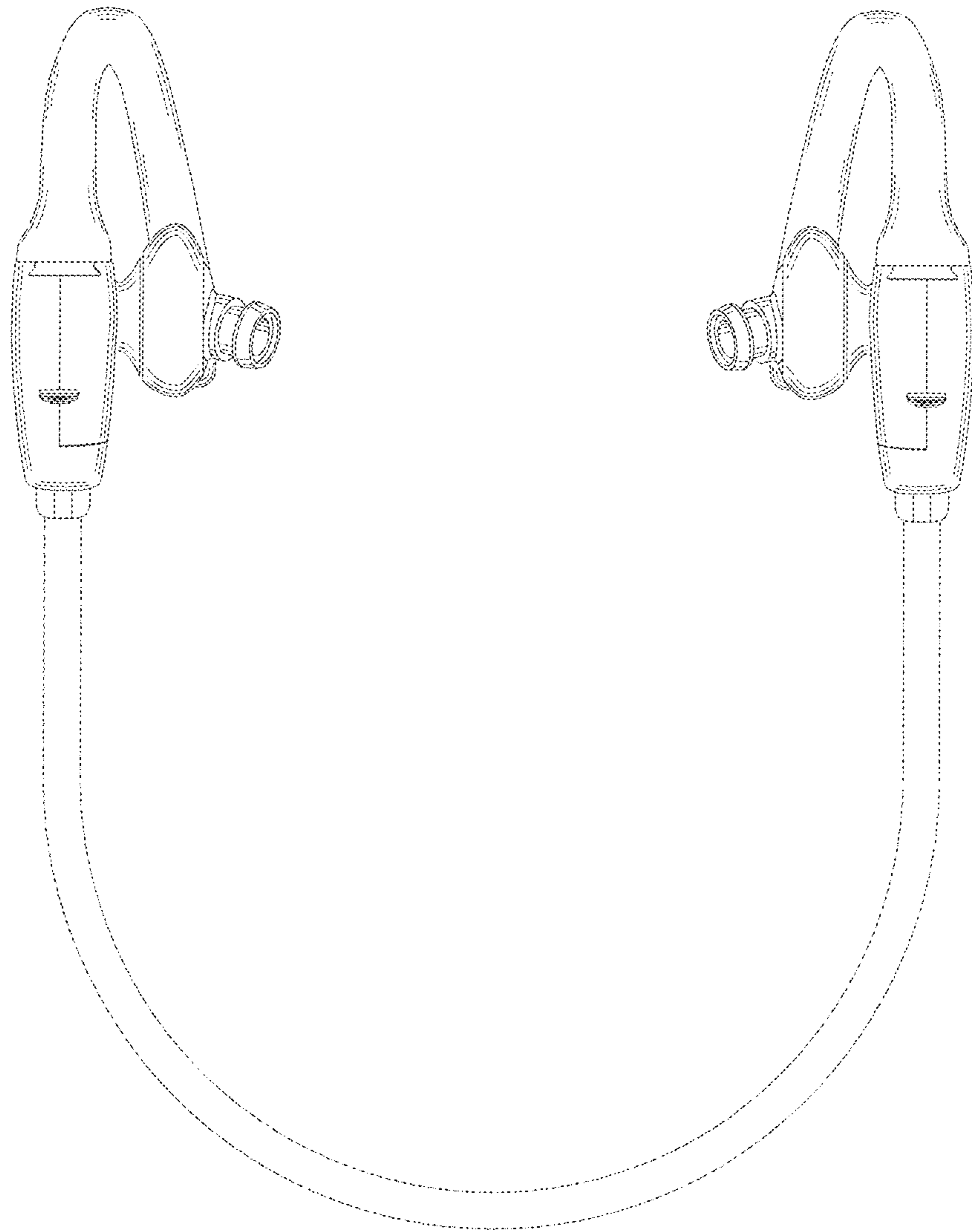


Fig. 7