



US00D782995S

(12) **United States Design Patent**
Matthews

(10) **Patent No.:** **US D782,995 S**
(45) **Date of Patent:** **** Apr. 4, 2017**

(54) **HEADPHONE**

(71) Applicant: **FOCAL JMLAB**, La Talaudiere (FR)

(72) Inventor: **Simon Matthews**, London (GB)

(73) Assignee: **FOCAL JMLAB**, La Talaudiere (FR)

(**) Term: **15 Years**

(21) Appl. No.: **29/545,374**

(22) Filed: **Nov. 12, 2015**

(30) **Foreign Application Priority Data**

Jun. 25, 2015 (EM) 002726174-0001

(51) **LOC (10) Cl.** **14-01**

(52) **U.S. Cl.**
USPC **D14/205**

(58) **Field of Classification Search**
USPC D14/205; D29/112; 2/209; 181/129,
181/130, 135; 379/430, 431; 381/380,
381/381, 374, 370; 455/90.3, 575.1
CPC H04R 1/1016; H04R 1/10; H04R 1/1066;
H04R 5/033; H04R 5/0335; H04R 25/00
See application file for complete search history.

(56) **References Cited**

U.S. PATENT DOCUMENTS

- D235,149 S * 5/1975 Dascal D14/168
- D255,352 S * 6/1980 Besasie D14/205
- D464,630 S * 10/2002 Woodworth D13/171
- D484,485 S * 12/2003 Matsuoka D14/205
- D510,335 S * 10/2005 Suzuki D14/205
- 7,388,960 B2 * 6/2008 Kuo H04R 1/1041
379/430
- 7,412,070 B2 * 8/2008 Kleinschmidt H04R 1/1083
381/370
- D637,176 S * 5/2011 Brunner D14/205

- D657,776 S * 4/2012 Lee D14/205
- D662,490 S * 6/2012 McSweyn D14/205
- D673,519 S * 1/2013 Tan D14/205
- D673,520 S * 1/2013 Tan D14/205
- D677,647 S * 3/2013 Lee D14/205
- D689,843 S * 9/2013 Lee D14/205
- D691,579 S * 10/2013 Lee D14/205
- D692,410 S * 10/2013 Brunner H04S 1/005
D14/206
- D693,791 S * 11/2013 Troy D14/205
- D696,226 S * 12/2013 Brunner H04R 5/033
D14/205
- D716,760 S * 11/2014 Brunner D14/206
- D728,512 S * 5/2015 Nakagawa D14/205
- D734,296 S * 7/2015 Paterson D14/205
- D765,055 S * 8/2016 Hsieh D14/205
- D765,056 S * 8/2016 Yang D14/205
- 2008/0037816 A1 * 2/2008 Lee H04R 5/0335
381/379

(Continued)

Primary Examiner — Paula Greene

(74) *Attorney, Agent, or Firm* — Burr & Brown, PLLC

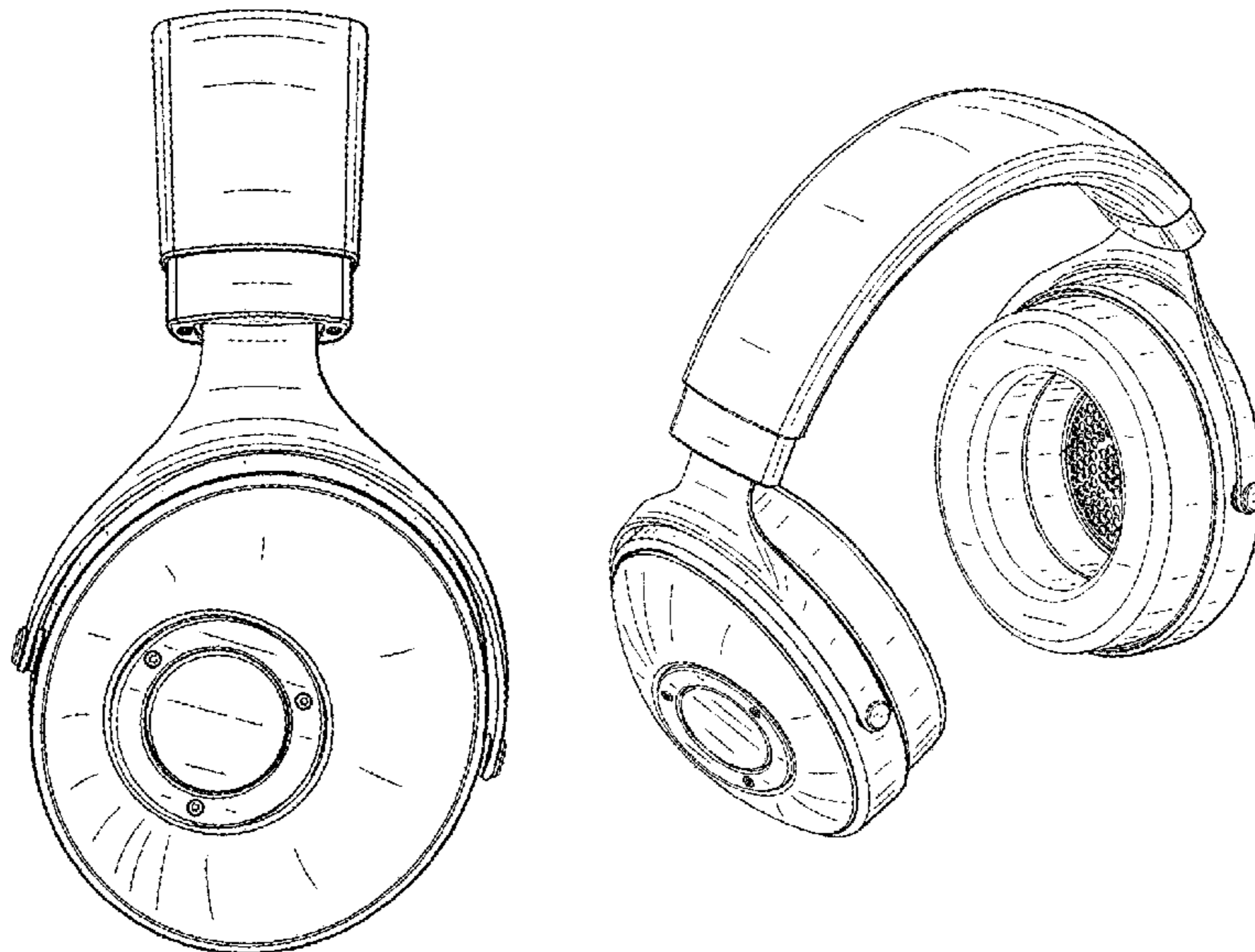
(57) **CLAIM**

The ornamental design for a headphone, as shown and described.

DESCRIPTION

FIG. 1 is a front view of a headphone illustrating my new design;
FIG. 2 is a rear view thereof;
FIG. 3 is a right side view thereof;
FIG. 4 is a left side view thereof;
FIG. 5 is a top view thereof;
FIG. 6 is a bottom view thereof; and,
FIG. 7 is a perspective view thereof, the opposite interior front face of the headphone ear cup is the same.

1 Claim, 7 Drawing Sheets



(56)

References Cited

U.S. PATENT DOCUMENTS

2013/0177195 A1* 7/2013 Sze H04R 1/1033
381/384
2016/0212519 A1* 7/2016 Henderson H04R 1/10

* cited by examiner

FIG. 1



FIG. 2



FIG. 3

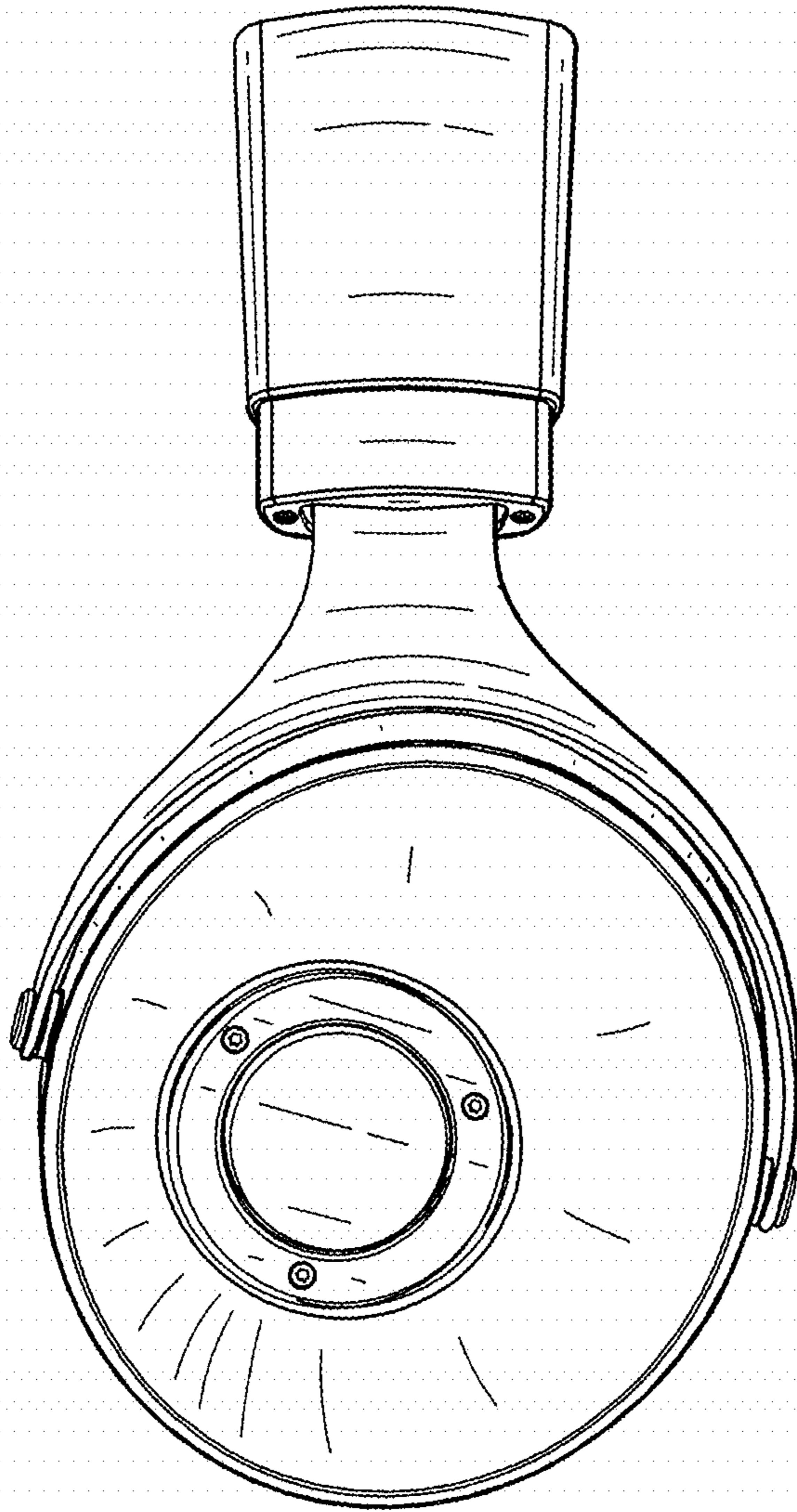


FIG. 4

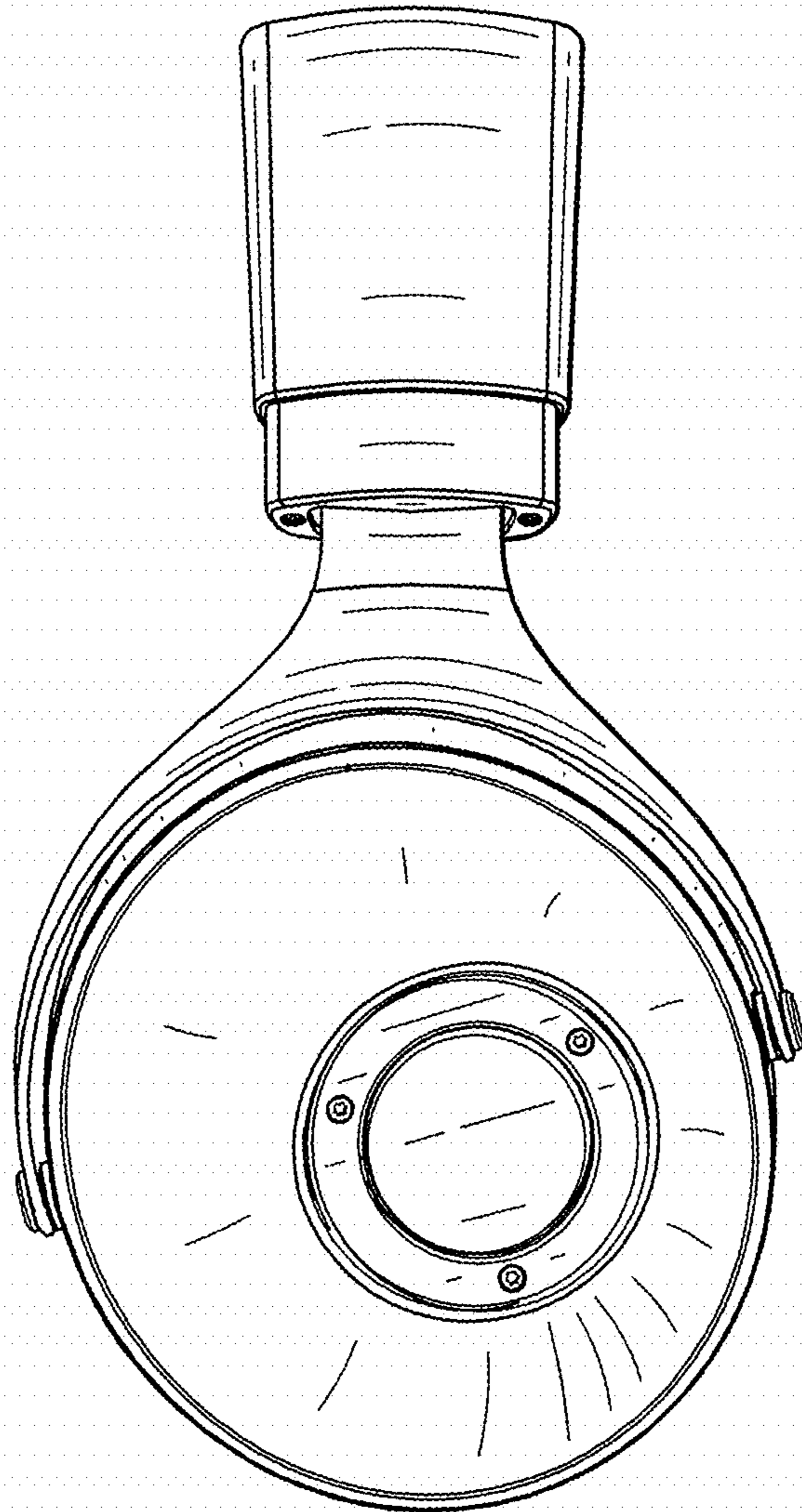


FIG. 5

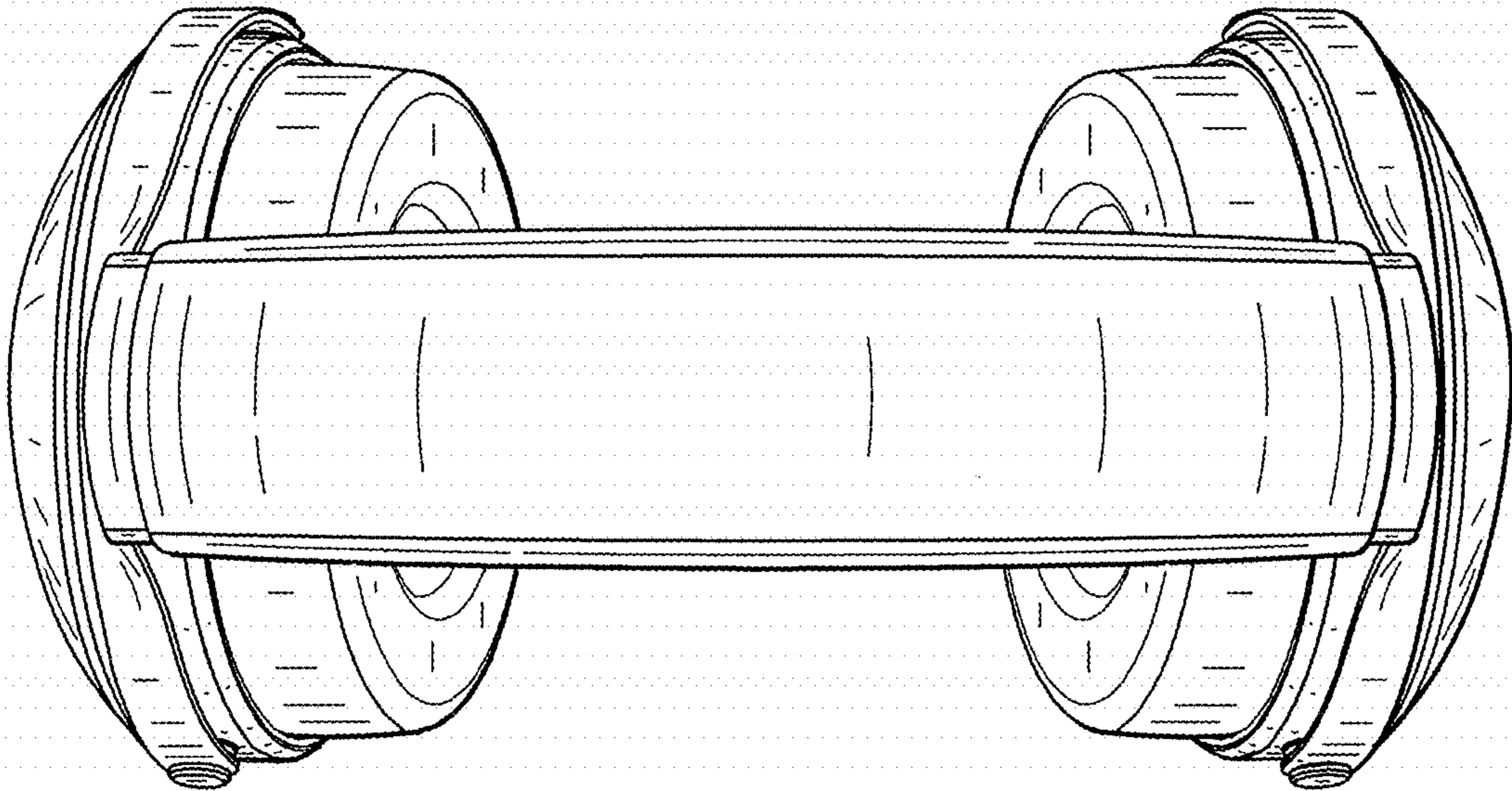


FIG. 6

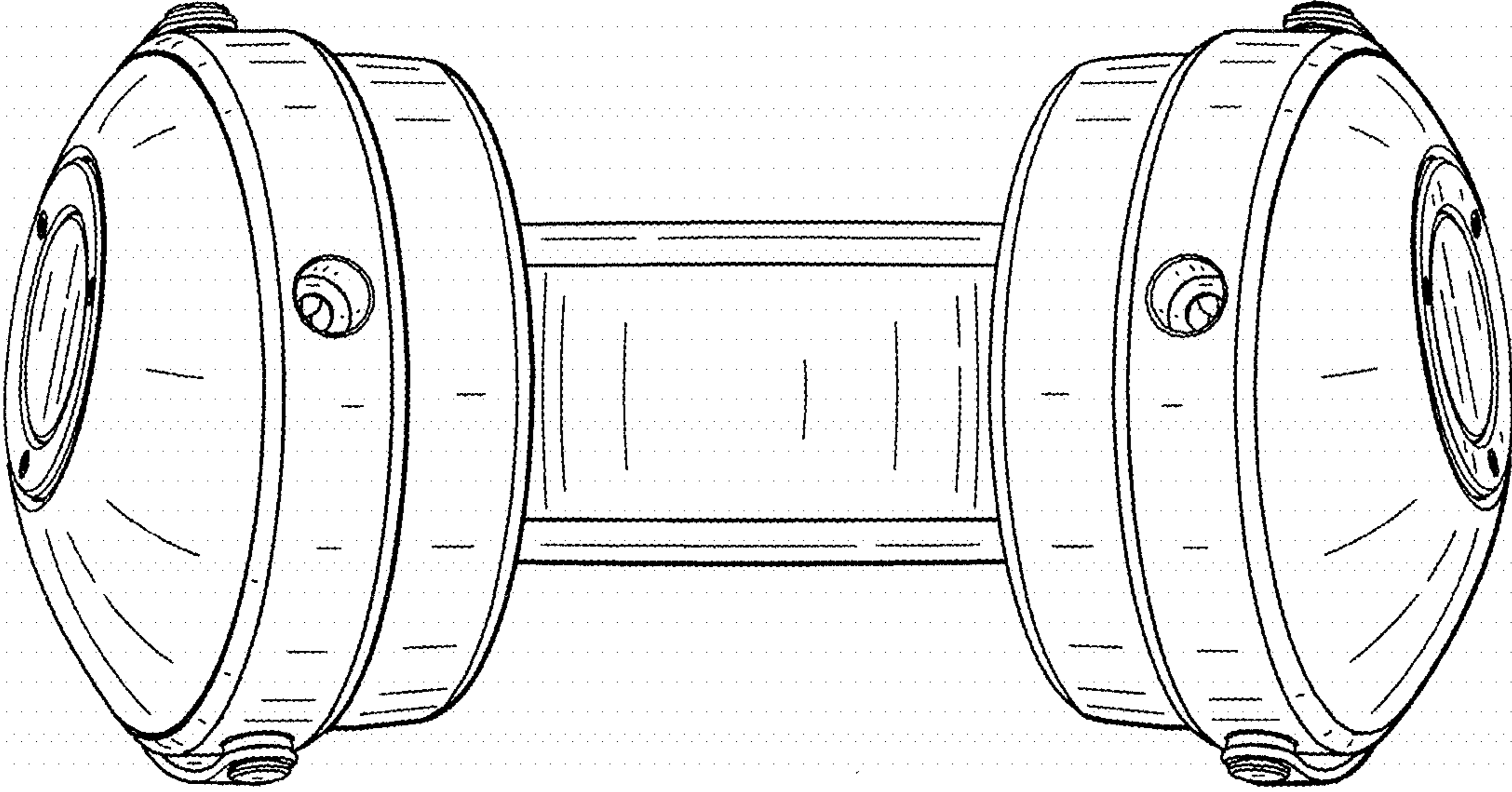


FIG. 7

