



US00D782991S

(12) **United States Design Patent** (10) **Patent No.:** **US D782,991 S**
Kim et al. (45) **Date of Patent:** **** Apr. 4, 2017**

(54) **TELEVISION RECEIVER**

(56) **References Cited**

(71) Applicant: **Samsung Electronics Co., Ltd.**,
Suwon-si (KR)

(72) Inventors: **Eunah Kim**, Seoul (KR); **Sungil Bang**,
Seoul (KR)

(73) Assignee: **SAMSUNG ELECTRONICS CO., LTD.**,
Suwon-si (KR)

U.S. PATENT DOCUMENTS

| | | | | |
|--------------|---------|-----------|-------|---------|
| D680,106 S * | 4/2013 | Hwangbo | | D14/239 |
| D700,187 S * | 2/2014 | Lee | | D14/451 |
| D716,244 S * | 10/2014 | Kim | | D14/126 |
| D719,119 S * | 12/2014 | Park | | D14/126 |
| D729,755 S * | 5/2015 | McManigal | | D14/126 |
| D734,282 S * | 7/2015 | Shin | | D14/126 |
| D735,153 S * | 7/2015 | Snyder | | D14/126 |
| D749,532 S * | 2/2016 | McManigal | | D14/126 |
| D751,519 S * | 3/2016 | Ma | | D14/126 |

(Continued)

(**) Term: **15 Years**

Primary Examiner — Raphael Barkai

(21) Appl. No.: **29/556,792**

(74) *Attorney, Agent, or Firm* — McAndrews Held & Malloy, Ltd.

(22) Filed: **Mar. 3, 2016**

(57) **CLAIM**

(30) **Foreign Application Priority Data**

The ornamental design for a television receiver, as shown and described.

Sep. 3, 2015 (KR) 30-2015-0044721

DESCRIPTION

(51) **LOC (10) Cl.** **14-03**

FIG. 1 is a front perspective view of a television receiver showing our new design;

(52) **U.S. Cl.**

FIG. 2 is a front elevation view thereof;

USPC **D14/126**

FIG. 3 is a rear elevation view thereof;

(58) **Field of Classification Search**

FIG. 4 is a left side elevation view thereof;

USPC D14/125-134, 239, 371, 136, 374-377,

FIG. 5 is a right side elevation view thereof;

D14/440, 450, 448, 336, 342, 159;

FIG. 6 is a top plan view thereof;

312/7.2; 348/836, 838, 180, 184, 325,

FIG. 7 is a bottom plan view thereof;

348/739; 248/917-924, 465; 345/104,

FIG. 8 is a rear perspective view thereof; and,

345/133, 156, 168, 87, 173; D21/329,

FIG. 9 is an enlarged front perspective view of the area encircled in FIG. 1.

D21/515, 577, 622, 333, 433, 448, 452,

D21/450, 331, 505; D10/15, 26;

446/484, 175, 356; D6/477, 479, 300;

D20/10, 19, 39; D16/203, 241; 160/24

CPC G06F 1/1601; G06F 1/1643; G06F 1/1652;

G06F 1/1647; G06F 3/0412; H05K

5/0004; H05K 5/0017; H05K 5/02; H05K

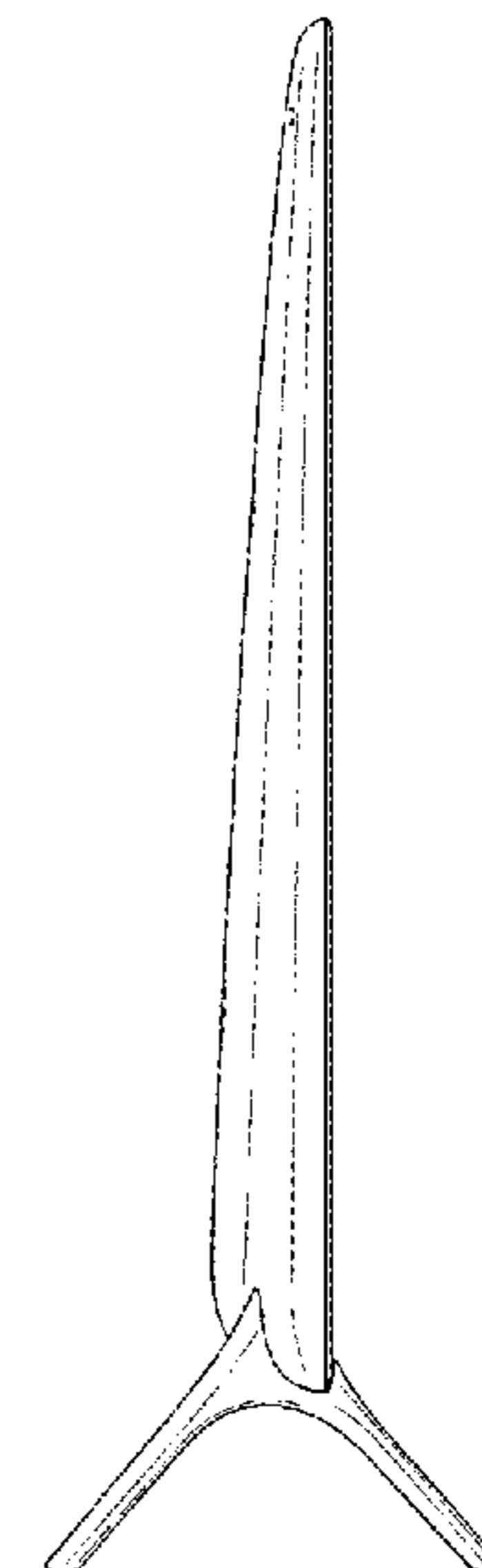
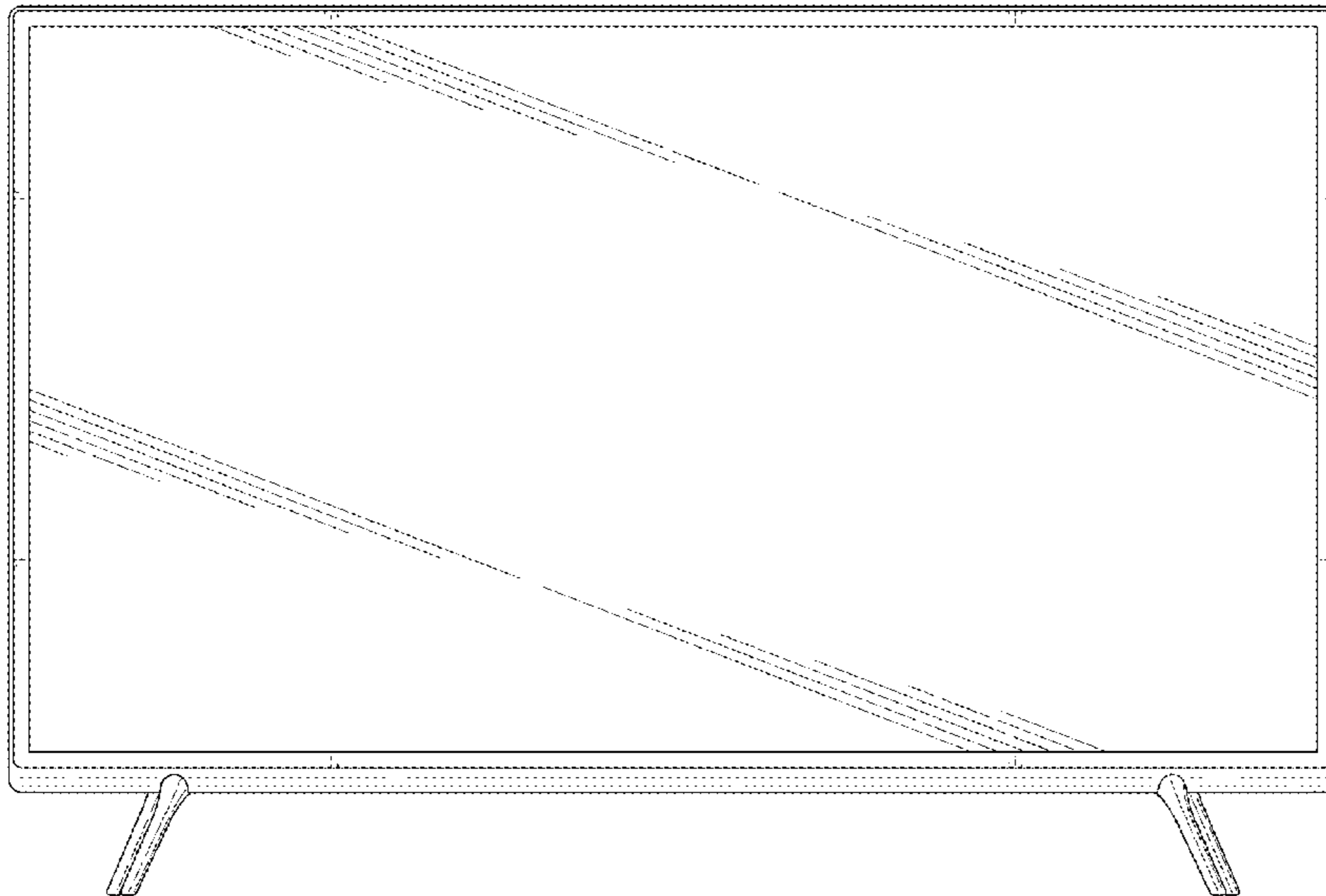
5/0217; H04N 13/0459

The dashed broken lines in the figures represent unclaimed portions of the television receiver and form no part of the claimed design.

The dot-dot-dash broken lines in FIGS. 1 and 9 encircle a portion of the claimed design that is illustrated in enlargements and form no part of the claimed design.

See application file for complete search history.

1 Claim, 9 Drawing Sheets



(56)

References Cited

U.S. PATENT DOCUMENTS

D765,615 S * 9/2016 Kim D14/126

* cited by examiner

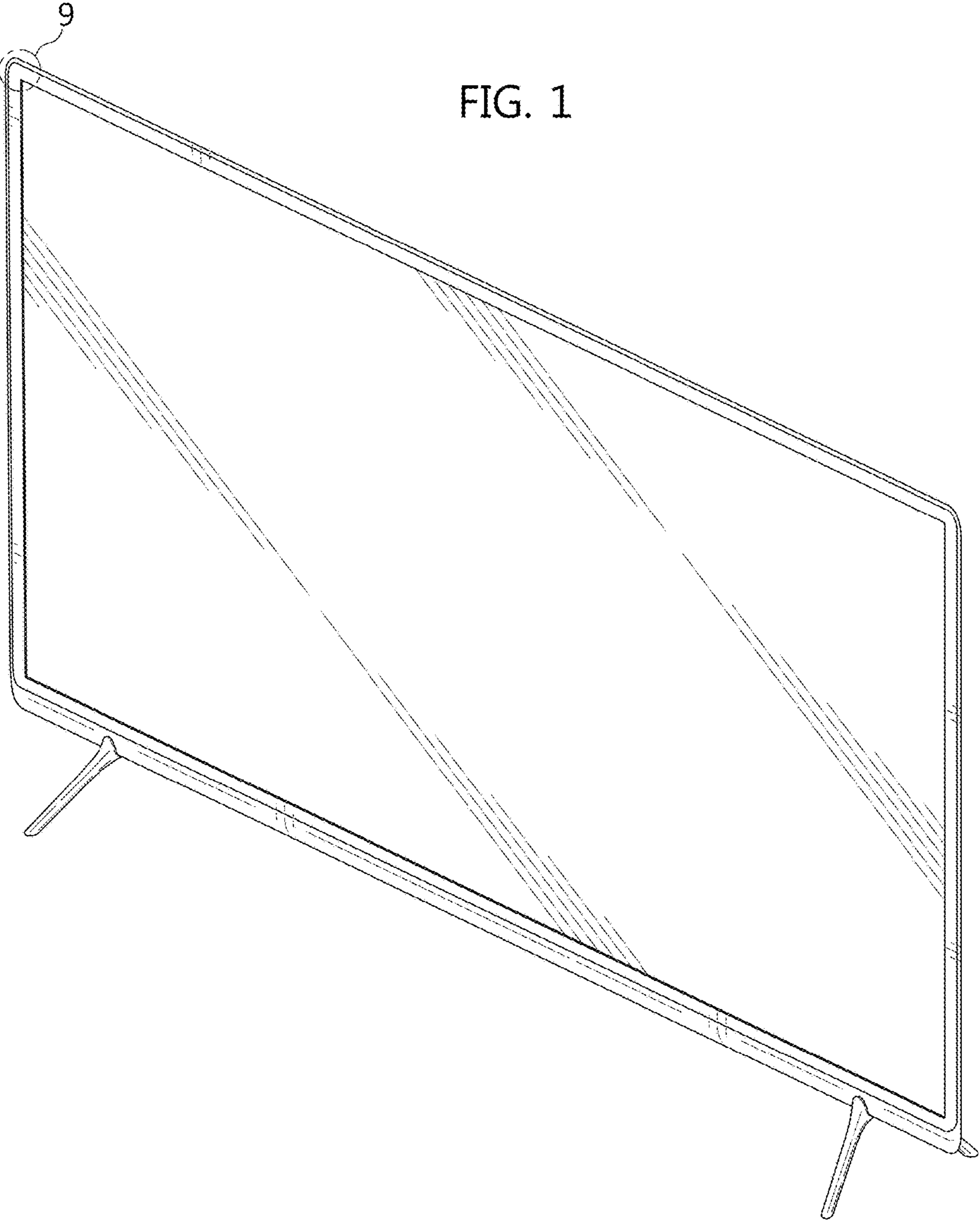


FIG. 1

FIG. 2

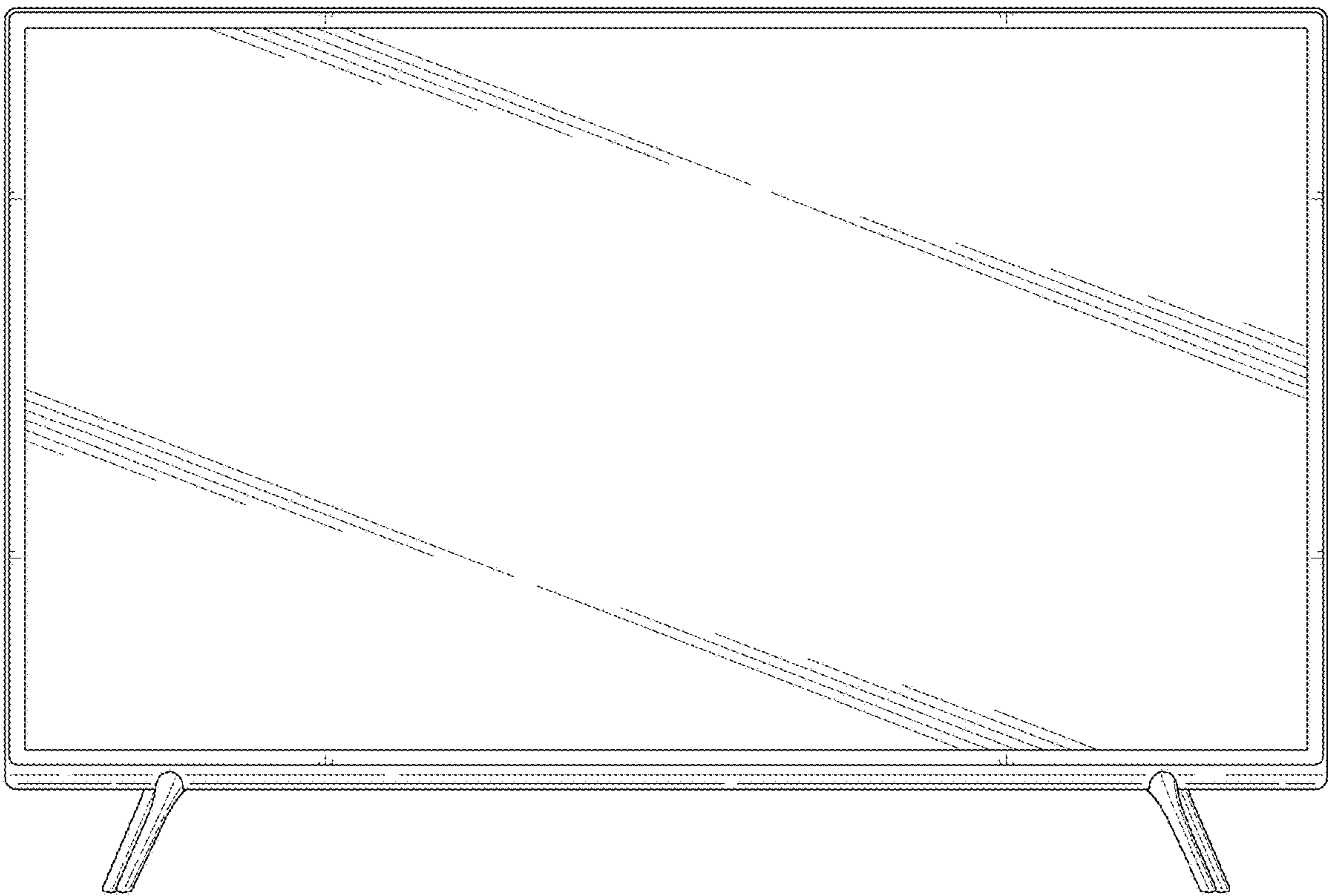


FIG. 3

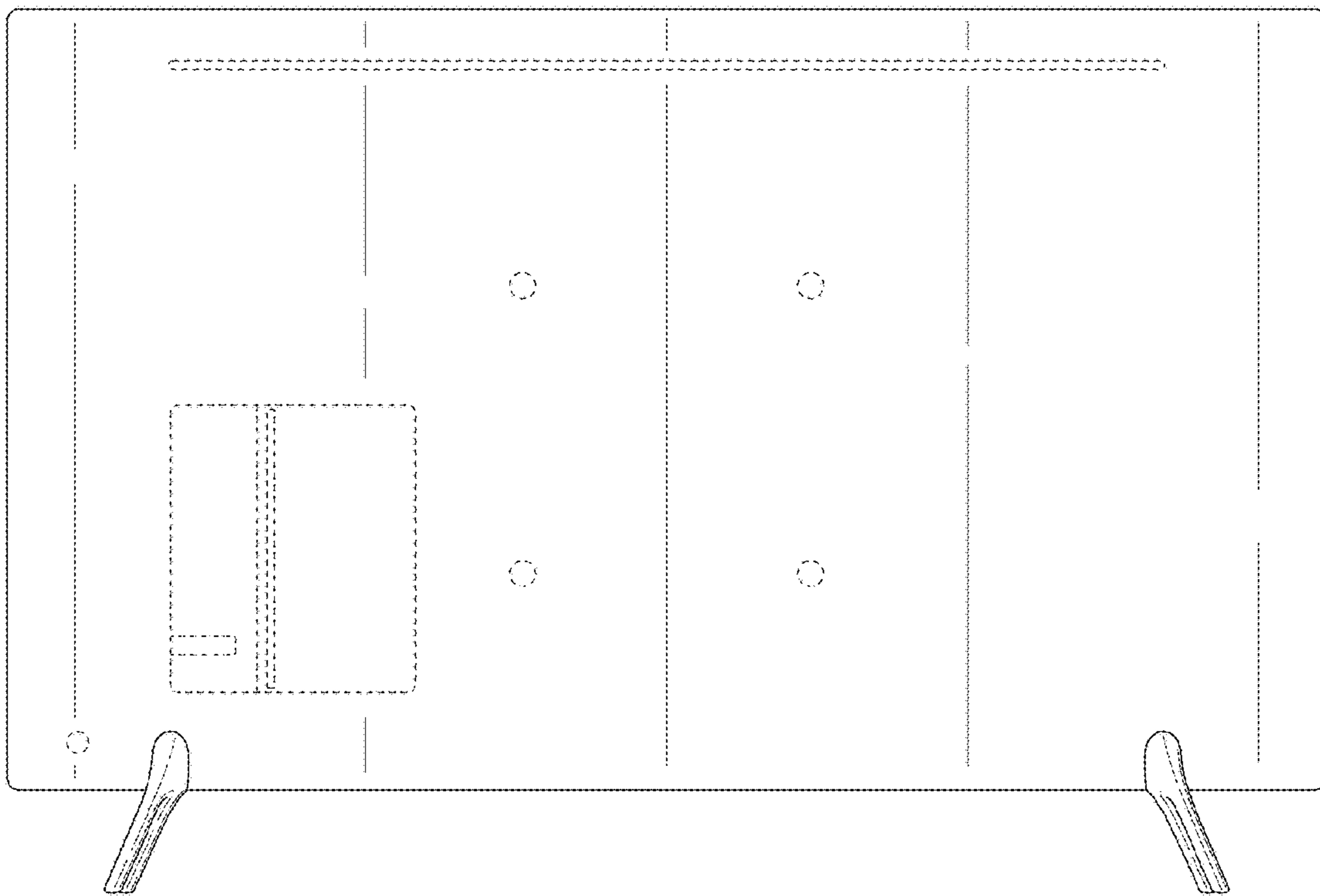


FIG. 4

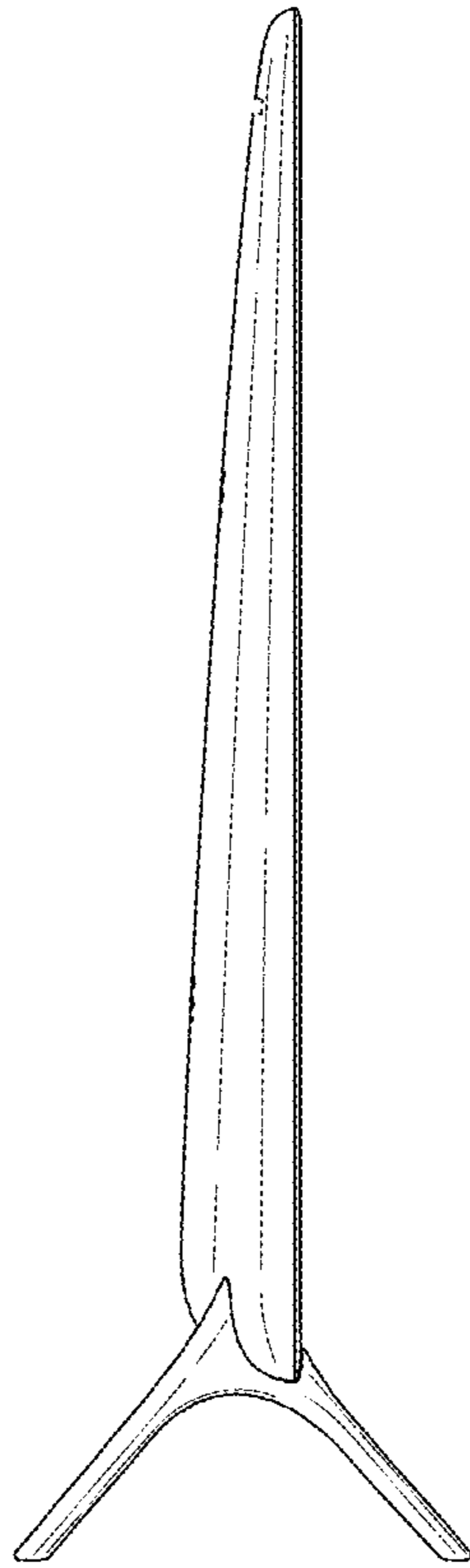


FIG. 5

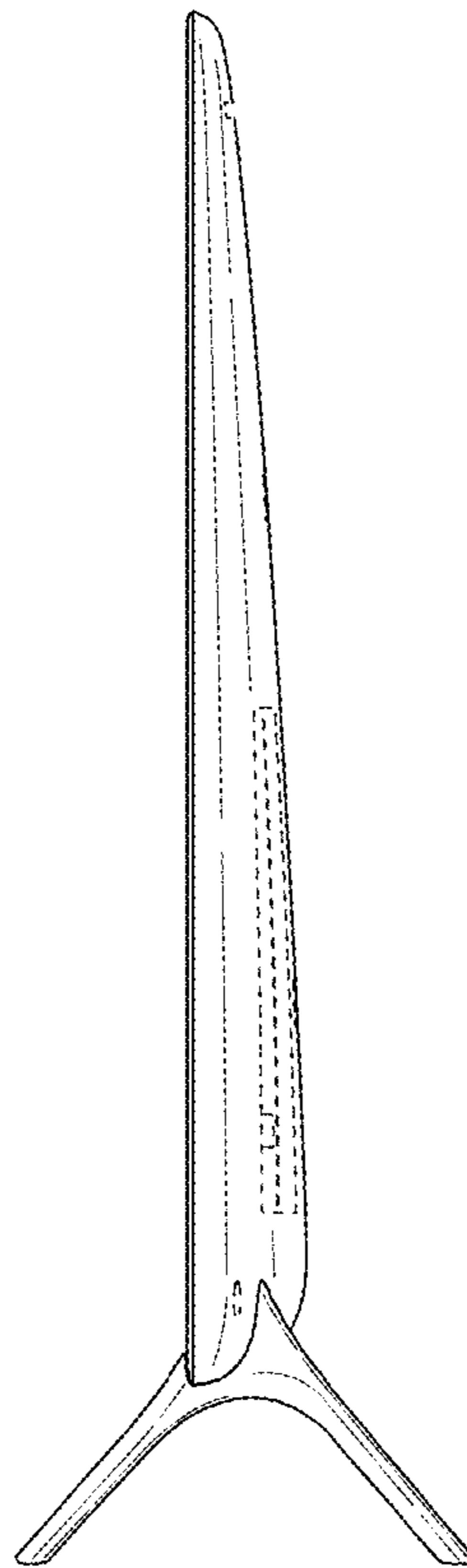


FIG. 6

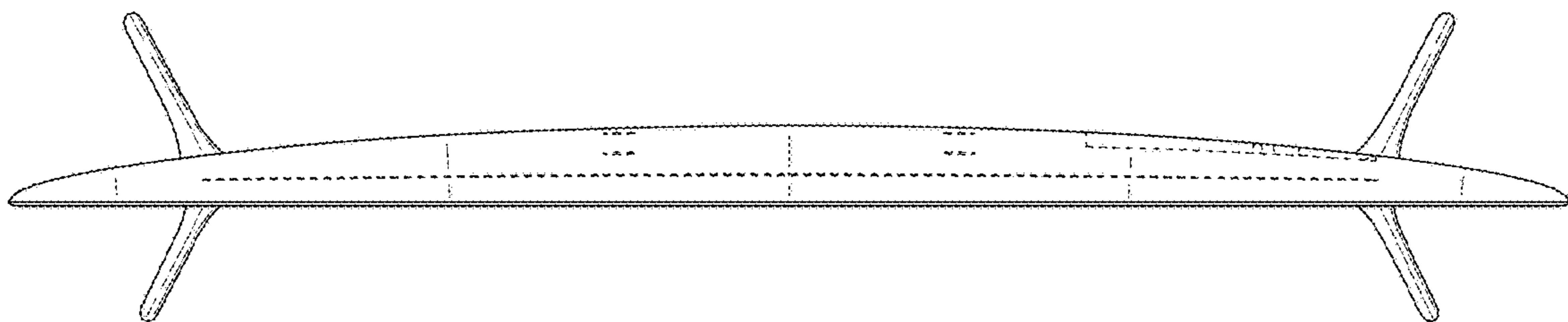


FIG. 7

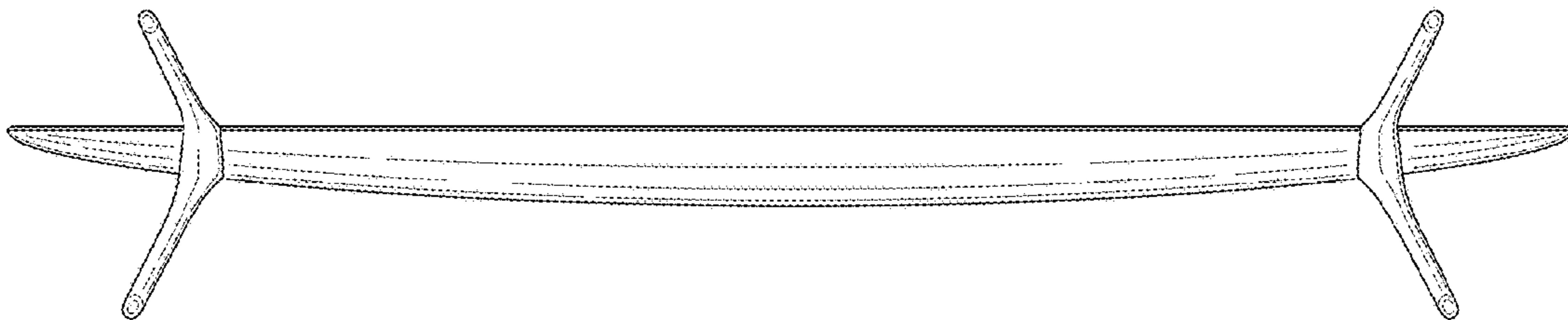


FIG. 8

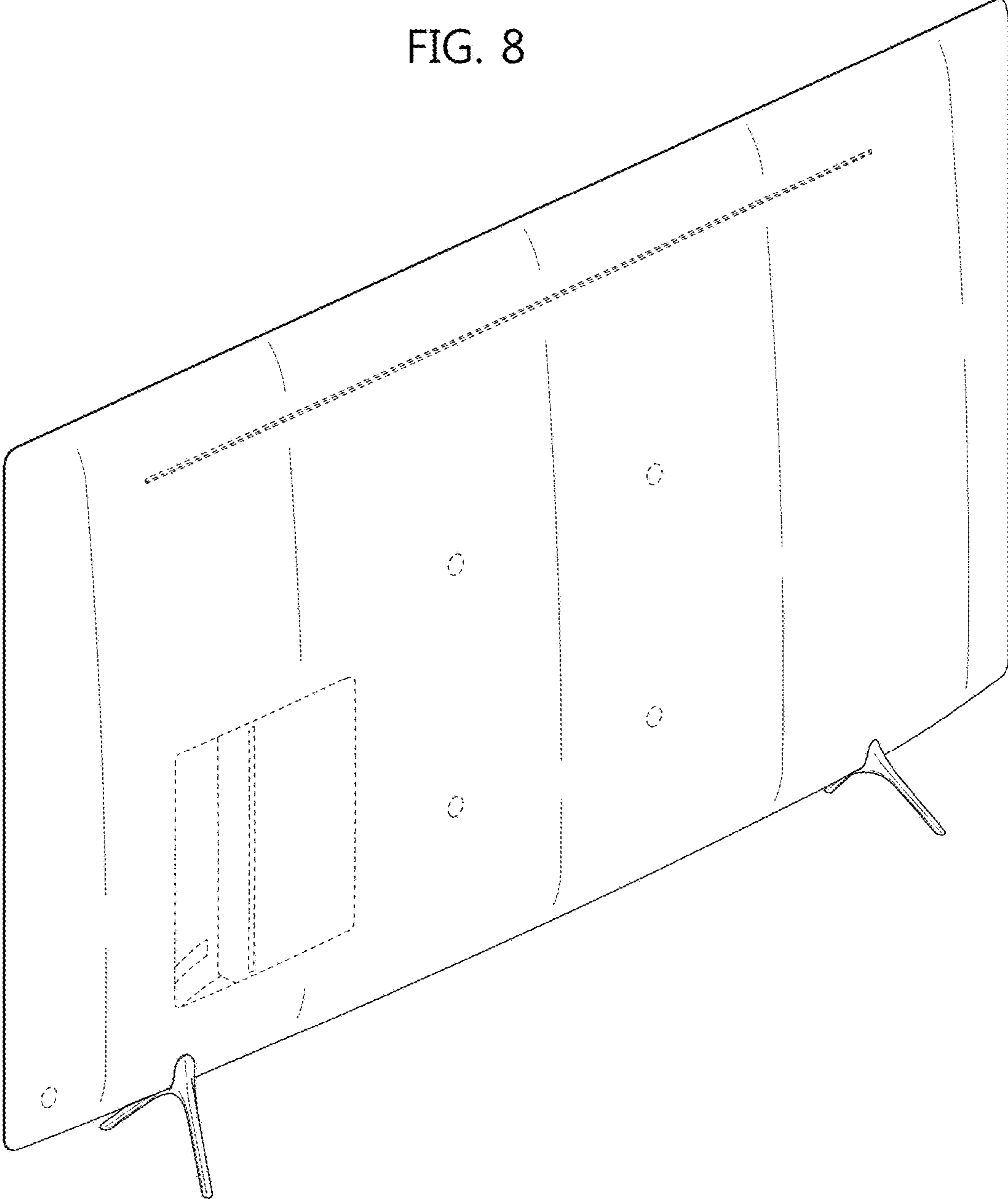


FIG. 9

