



US00D782990S

(12) **United States Design Patent**
Sonneman

(10) **Patent No.:** **US D782,990 S**

(45) **Date of Patent:** **** Apr. 4, 2017**

(54) **POWER BOX FOR A LIGHTING SYSTEM**

(71) Applicant: **Robert A. Sonneman**, Mamaroneck,
NY (US)

(72) Inventor: **Robert A. Sonneman**, Mamaroneck,
NY (US)

(**) Term: **15 Years**

(21) Appl. No.: **29/576,791**

(22) Filed: **Sep. 7, 2016**

(51) **LOC (10) Cl.** **13-99**

(52) **U.S. Cl.**
USPC **D13/184**

(58) **Field of Classification Search**
USPC D13/184; D26/25, 26; 361/641
CPC H01R 13/6675; H02G 3/08; H02G 3/081
See application file for complete search history.

(56) **References Cited**

U.S. PATENT DOCUMENTS

- 3,836,766 A * 9/1974 Auerbach F21S 8/033
362/311.14
- 5,174,647 A * 12/1992 Kelly F21S 2/00
362/221
- 5,225,961 A * 7/1993 Zander H01R 13/6675
174/50

- 5,285,349 A * 2/1994 Zander H01R 13/6675
174/653
- D473,335 S * 4/2003 Brohard D13/184
- D566,325 S * 4/2008 Aubrey D26/138
- D674,954 S * 1/2013 Sonneman D26/88
- D773,725 S * 12/2016 Sonneman D26/142
- D773,726 S * 12/2016 Sonneman D26/142

* cited by examiner

Primary Examiner — Lakiya Rogers

Assistant Examiner — Harold E Blackwell, II

(74) *Attorney, Agent, or Firm* — Gottlieb, Rackman &
Reisman, P.C.

(57) **CLAIM**

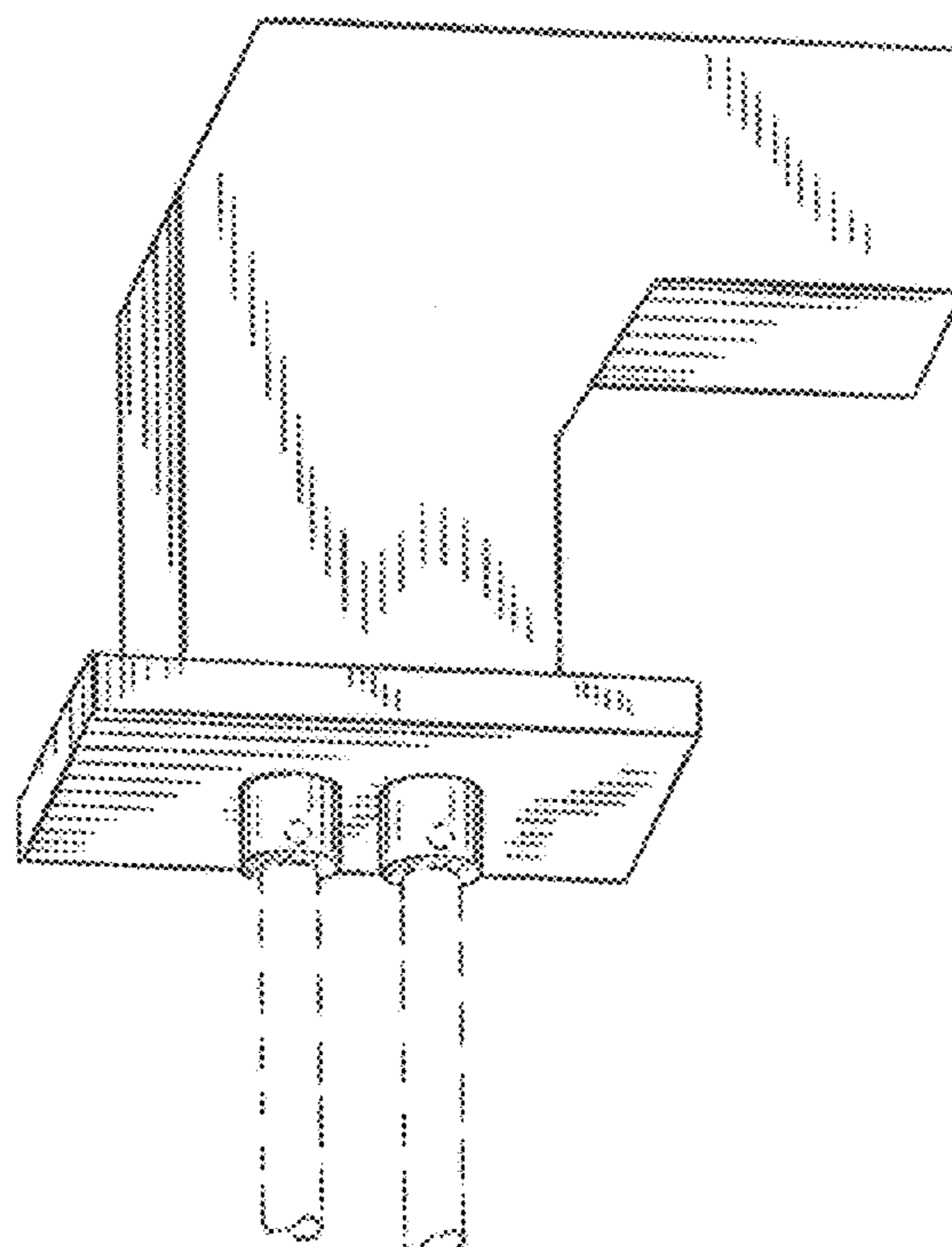
The ornamental design for a power box for a lighting system, as shown and described.

DESCRIPTION

FIG. 1 is a front perspective view of the power box for a lighting system showing my new design; FIG. 2 is a top plan view thereof; FIG. 3 is a rear elevational view thereof; FIG. 4 is a right side elevational view thereof; FIG. 5 is a left side elevational view thereof; and, FIG. 6 is a bottom plan view thereof.

The broken lines in the drawings are included for the purpose of illustrating portions of the article that form no part of the claimed design.

1 Claim, 2 Drawing Sheets



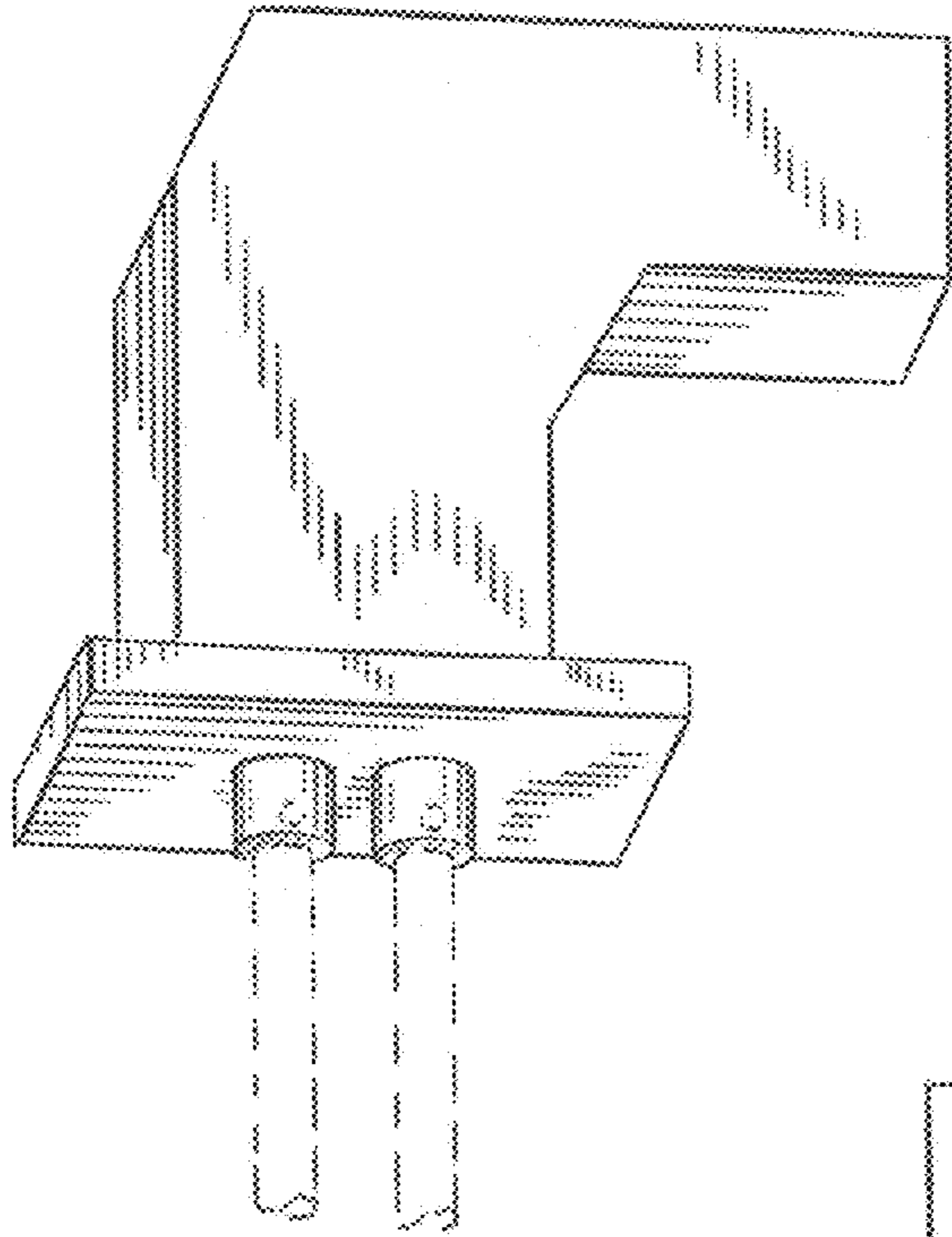


FIG. 1

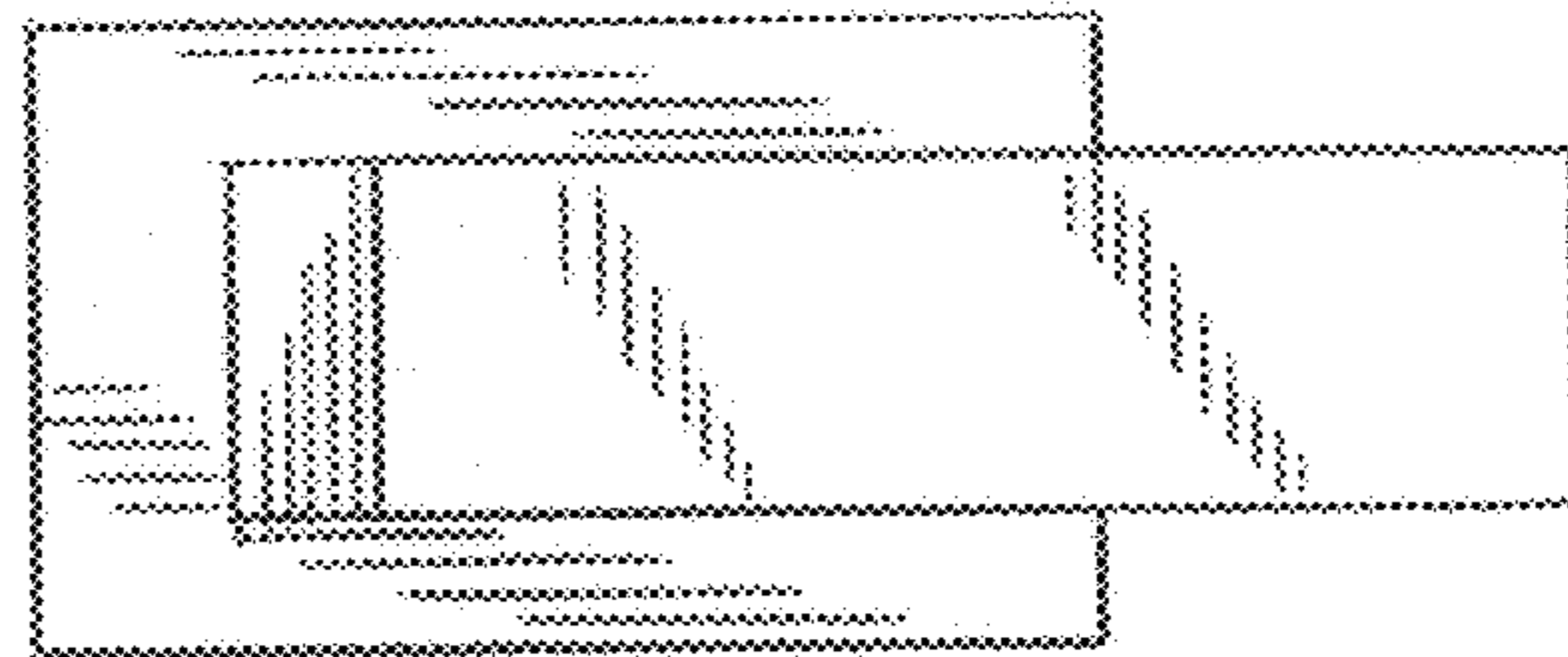


FIG. 2

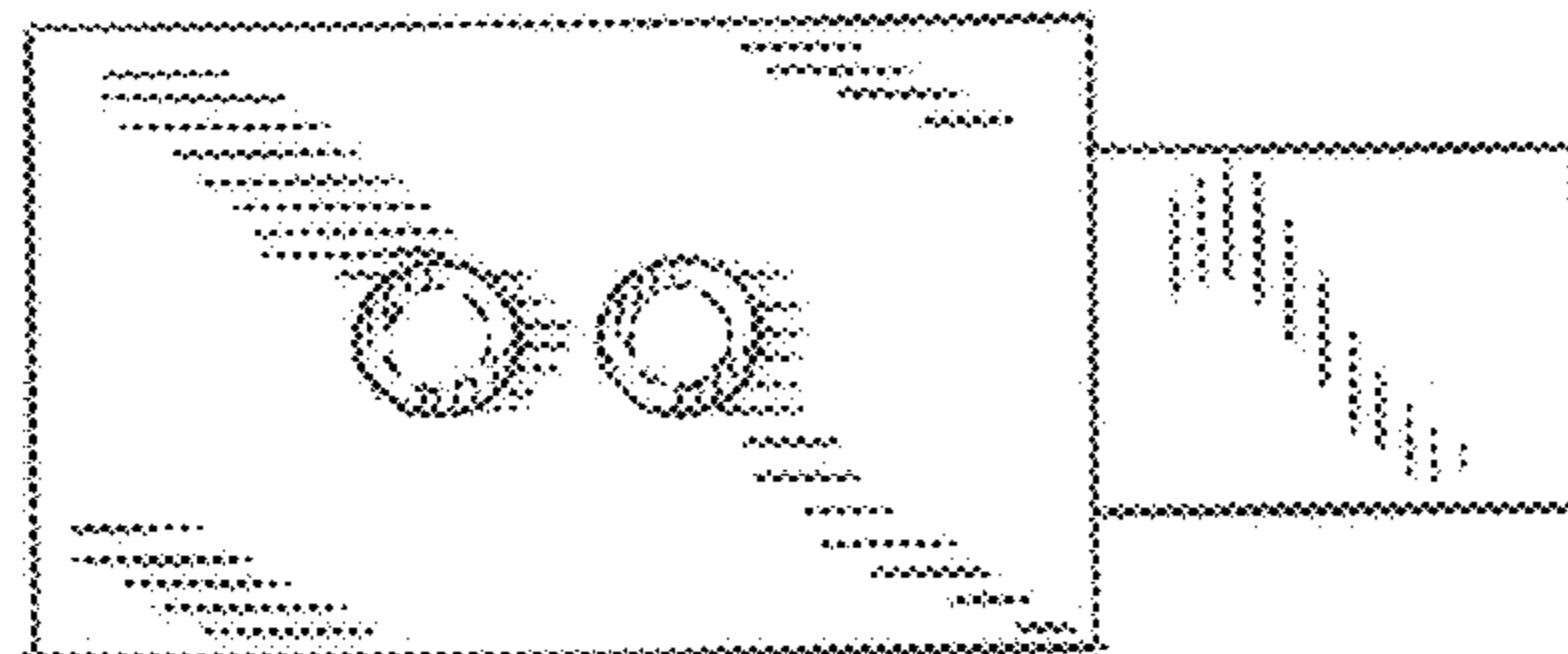


FIG. 6

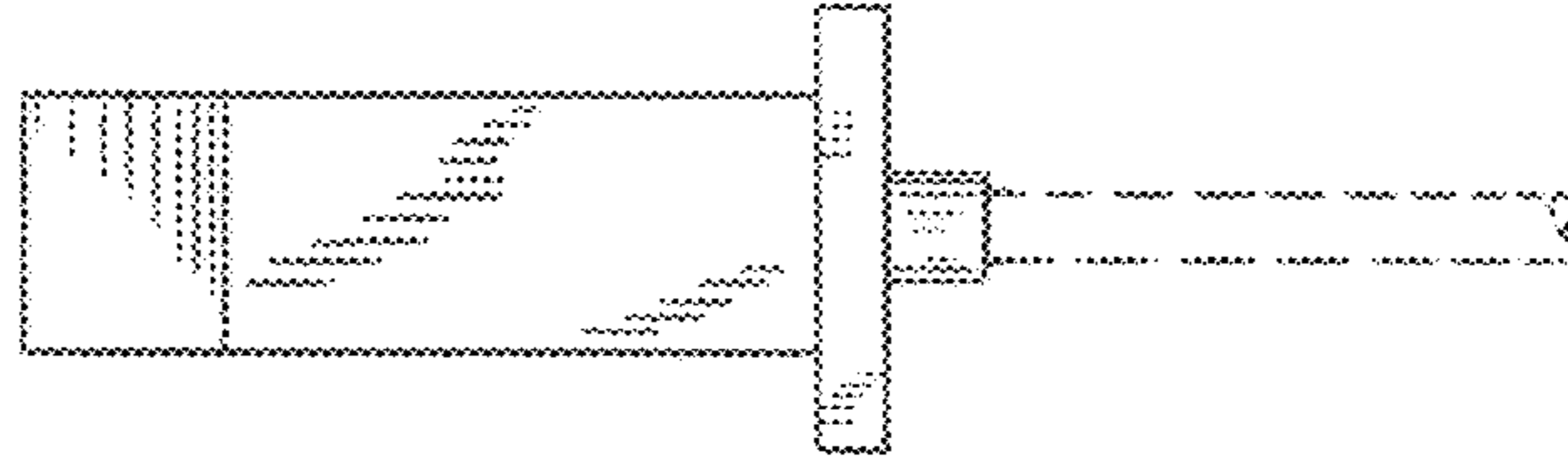


FIG. 3

FIG. 3

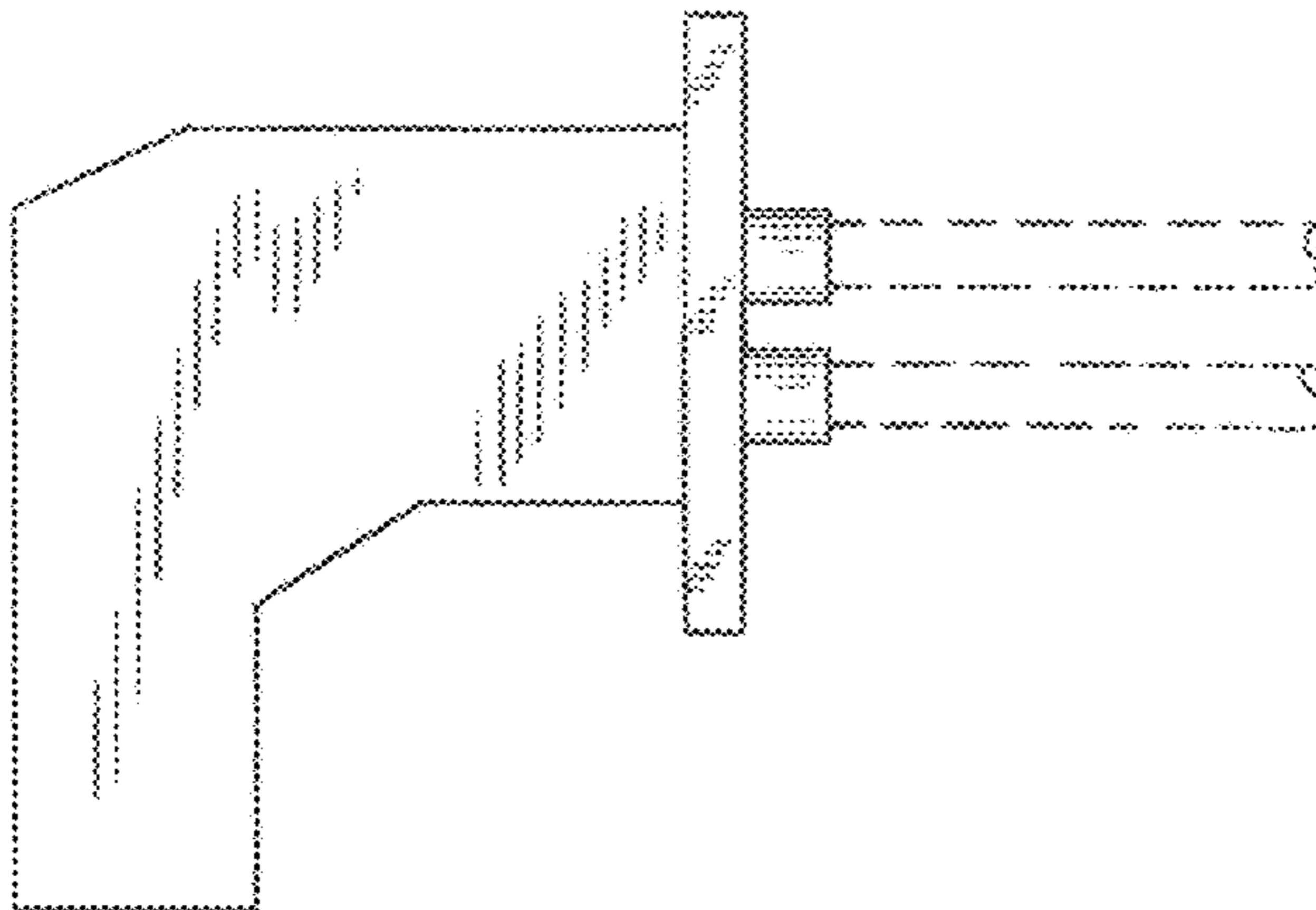


FIG. 4

