



US00D782989S

(12) **United States Design Patent**
Watanabe

(10) **Patent No.:** **US D782,989 S**
(45) **Date of Patent:** **** Apr. 4, 2017**

(54) **LIGHT-EMITTING DIODE**

FOREIGN PATENT DOCUMENTS

(71) Applicants: **CITIZEN ELECTRONICS CO., LTD.**, Yamanashi-ken (JP); **CITIZEN WATCH CO., LTD.**, Tokyo (JP)

JP D1377263 1/2010
JP D1406408 1/2011

(Continued)

(72) Inventor: **Yusuke Watanabe**, Yamanashi-ken (JP)

Primary Examiner — Garth Rademaker
Assistant Examiner — Richard Kearney

(73) Assignees: **CITIZEN ELECTRONICS CO., LTD.**, Yamanashi-Ken (JP); **CITIZEN WATCH CO., LTD.**, Tokyo (JP)

(74) *Attorney, Agent, or Firm* — Wenderoth, Lind & Ponack, L.L.P.

(**) Term: **15 Years**

(57) **CLAIM**

The ornamental design for a light-emitting diode, as shown and described.

(21) Appl. No.: **29/545,125**

DESCRIPTION

(22) Filed: **Nov. 10, 2015**

(30) **Foreign Application Priority Data**

May 15, 2015 (JP) D2015-010584
May 15, 2015 (JP) D2015-010608

FIG. 1 is a top perspective view of a first embodiment of a light-emitting diode showing an upper surface with front and left side surfaces;

FIG. 2 is a bottom perspective view thereof showing a bottom surface with rear and right side surfaces;

FIG. 3 is a front view thereof;

FIG. 4 is a rear view thereof;

FIG. 5 is a top plan view thereof;

FIG. 6 is a bottom plan view thereof;

FIG. 7 is a left side view thereof;

FIG. 8 is a right side view thereof;

FIG. 9 is a top perspective view of a second embodiment of a light-emitting diode showing an upper surface with front and left side surfaces;

FIG. 10 is a bottom perspective view thereof showing a bottom surface with rear and right side surfaces;

FIG. 11 is a front view thereof;

FIG. 12 is a rear view thereof;

FIG. 13 is a top plan view thereof;

FIG. 14 is a bottom plan view thereof;

FIG. 15 is a left side view thereof; and,

FIG. 16 is a right side view.

(51) **LOC (10) Cl.** **13-03**

(52) **U.S. Cl.**
USPC **D13/180**

(58) **Field of Classification Search**
USPC D13/101, 118, 179, 180, 182; D26/1, 2, D26/24, 72, 74, 113, 138
CPC H01L 25/167; H01L 27/15; H01L 27/224; H01L 33/56
See application file for complete search history.

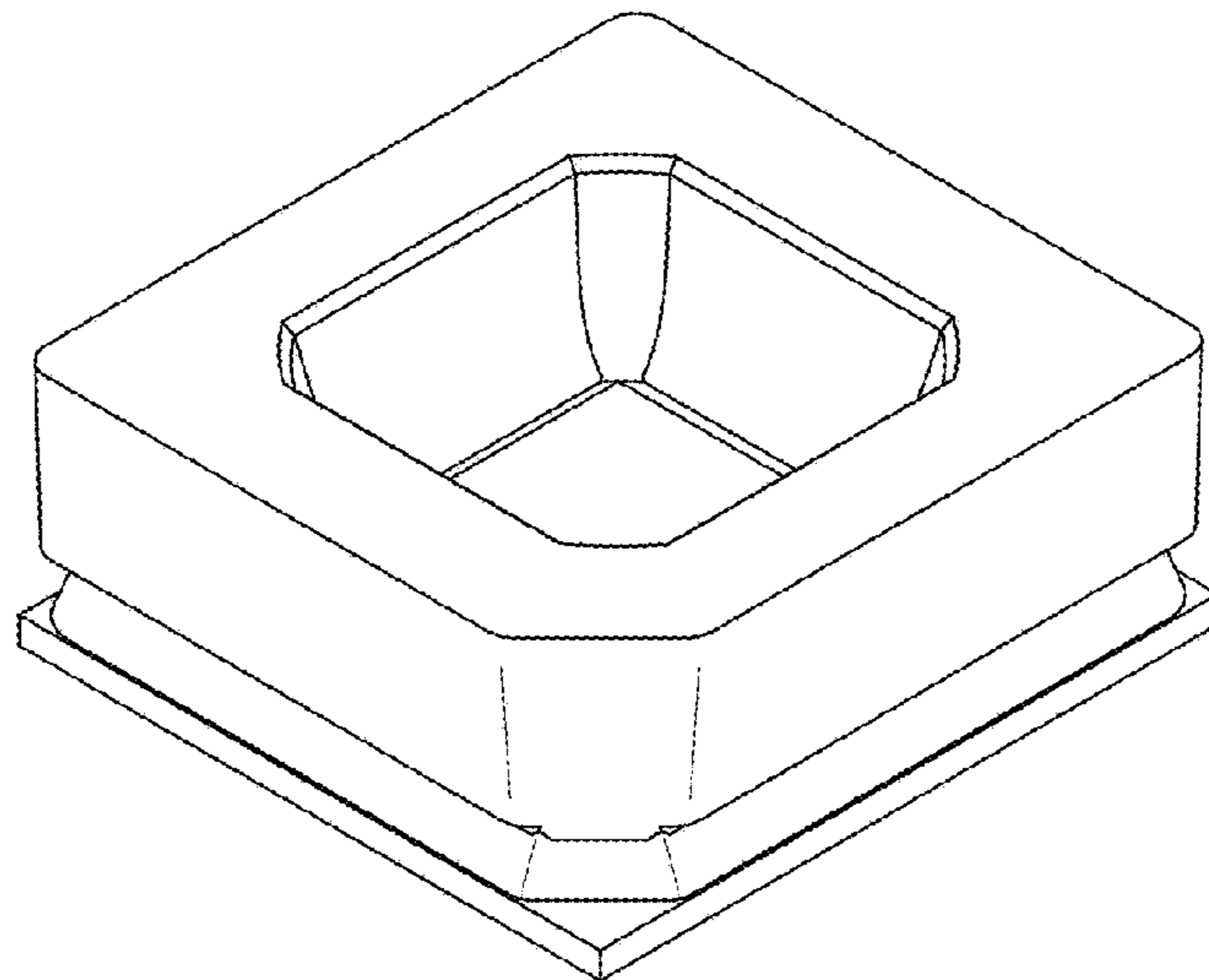
(56) **References Cited**

U.S. PATENT DOCUMENTS

D495,086 S * 8/2004 Burkart D26/113
D521,463 S * 5/2006 Inoue D13/180
D524,762 S * 7/2006 Inoue D13/180

(Continued)

1 Claim, 6 Drawing Sheets



(56)

References Cited

U.S. PATENT DOCUMENTS

D568,835	S *	5/2008	Nishida	D13/180
D597,970	S *	8/2009	Kobayakawa	D13/180
7,635,915	B2 *	12/2009	Xie	H01L 33/62 257/692
D632,659	S *	2/2011	Hsieh	D13/180
D659,657	S *	5/2012	Hussell	D13/180
D660,813	S *	5/2012	Otaki	D13/180
D661,264	S *	6/2012	Joo	D13/180
D679,666	S *	4/2013	Hsu	D13/180
D684,545	S *	6/2013	Chan	D13/180
D695,442	S *	12/2013	Speier	D26/74
D708,156	S *	7/2014	Joo	D13/180
D731,692	S *	6/2015	Boyer	D26/74
9,133,996	B2 *	9/2015	Thibodeau	F21S 48/00
9,257,370	B2 *	2/2016	Fan	H01L 23/047
D752,527	S *	3/2016	Chen	D13/180
D757,663	S *	5/2016	Feng	D13/180
9,339,800	B2 *	5/2016	Cavataio	B01D 53/9418
D760,178	S *	6/2016	Feng	D13/180
D763,206	S *	8/2016	Lin	D13/180
2008/0185605	A1 *	8/2008	Wada	H01L 33/60 257/98

FOREIGN PATENT DOCUMENTS

JP	D1411394	4/2011
JP	D1493164	3/2014
JP	D1493165	3/2014
KR	30-0471819	12/2007

* cited by examiner

Fig. 1

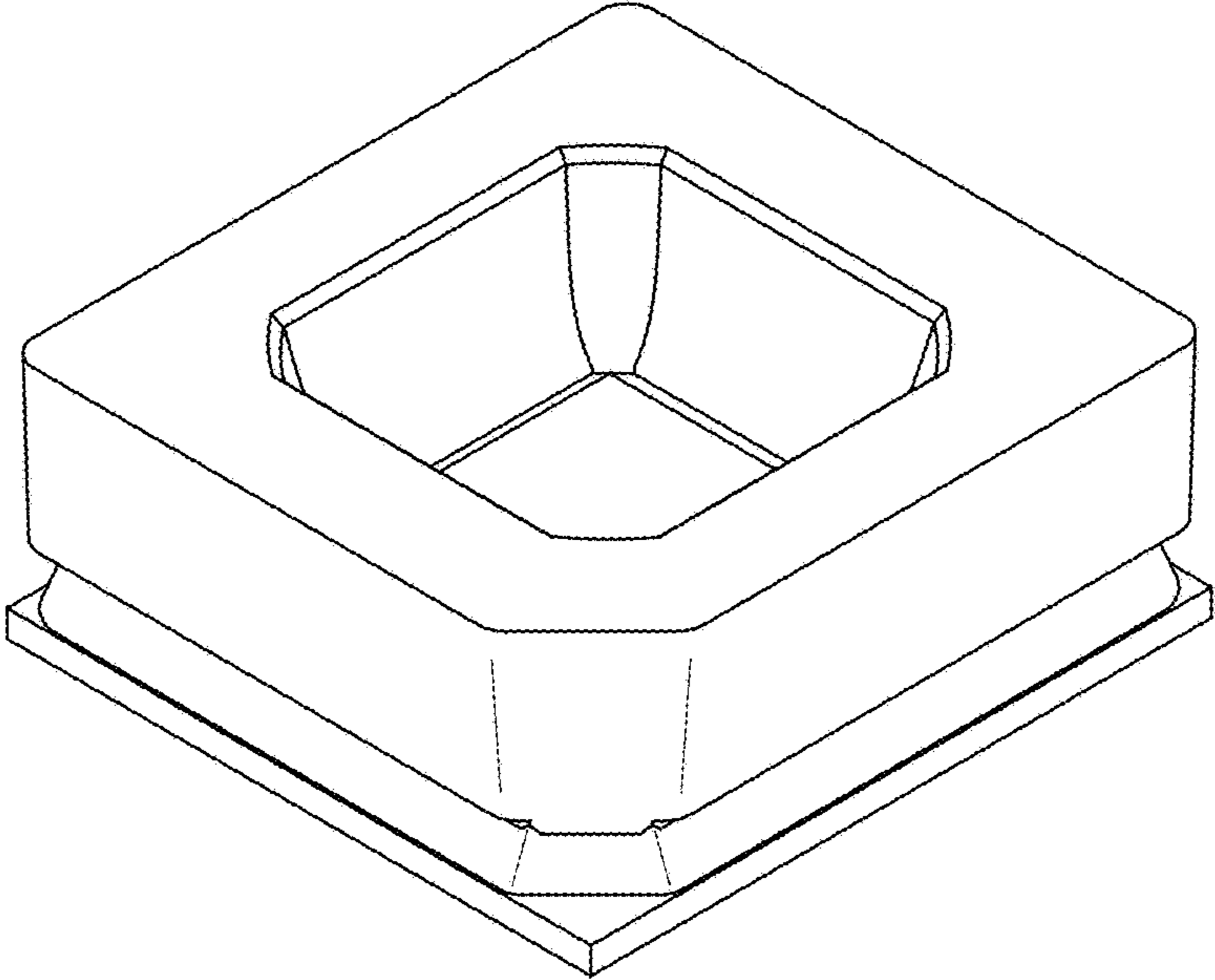


Fig. 2

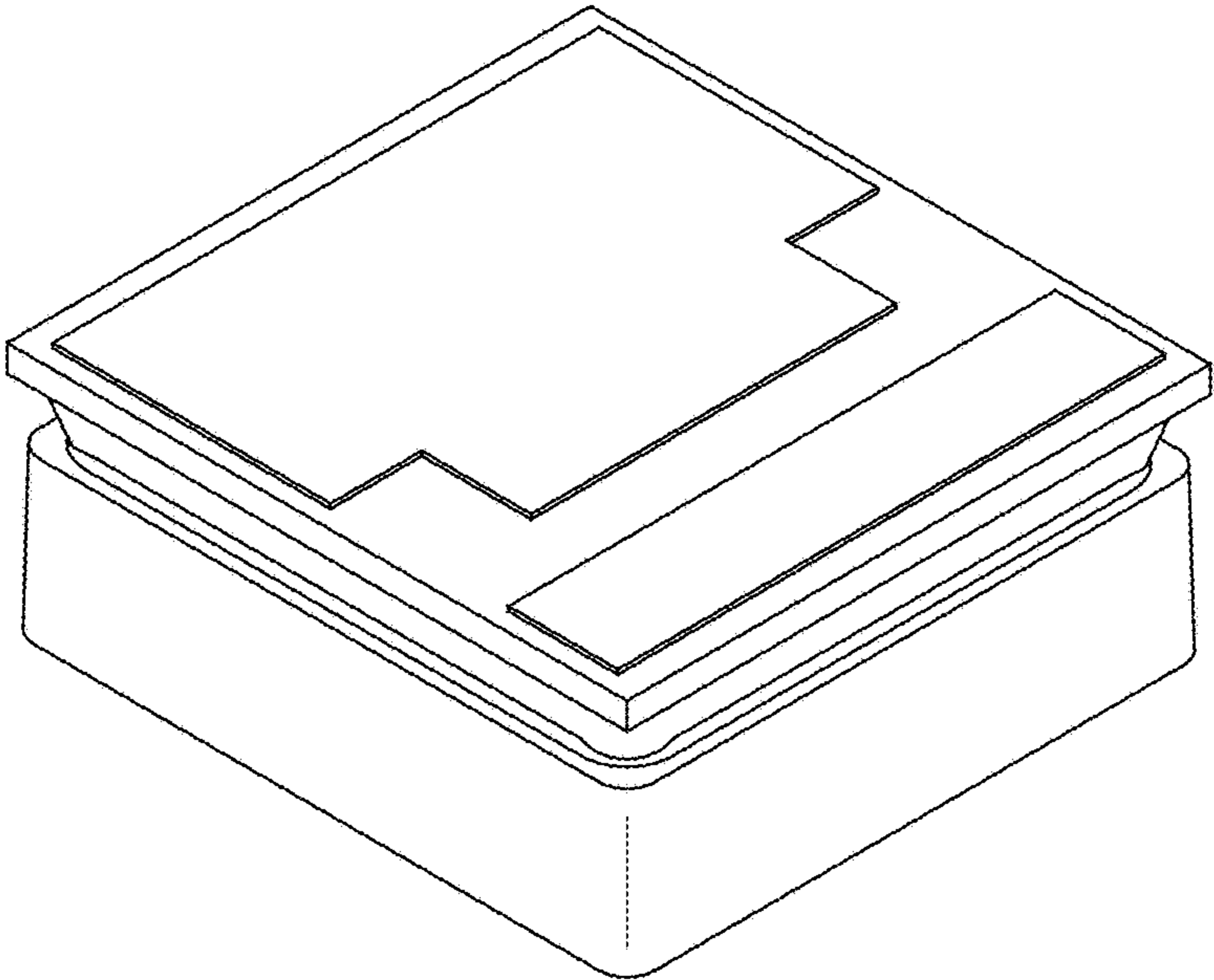


Fig. 3

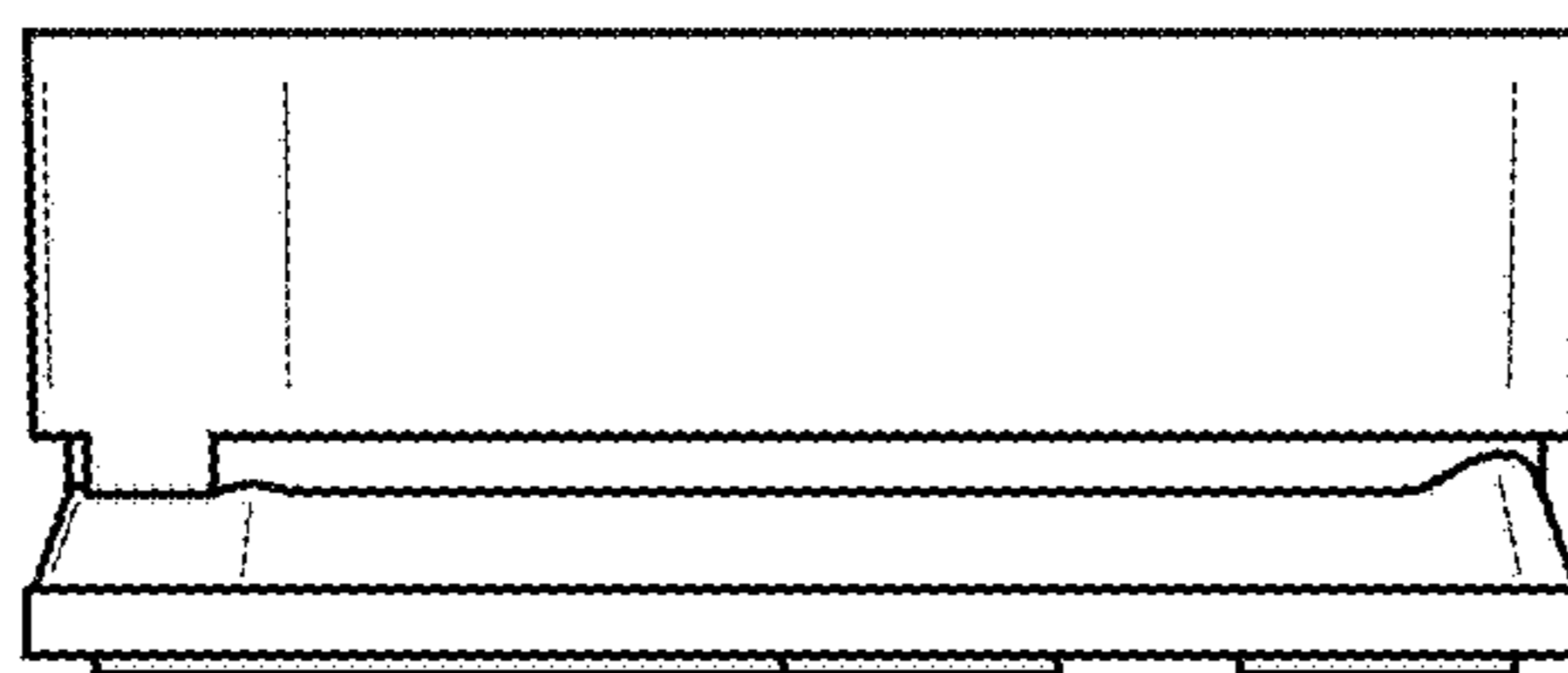


Fig. 4

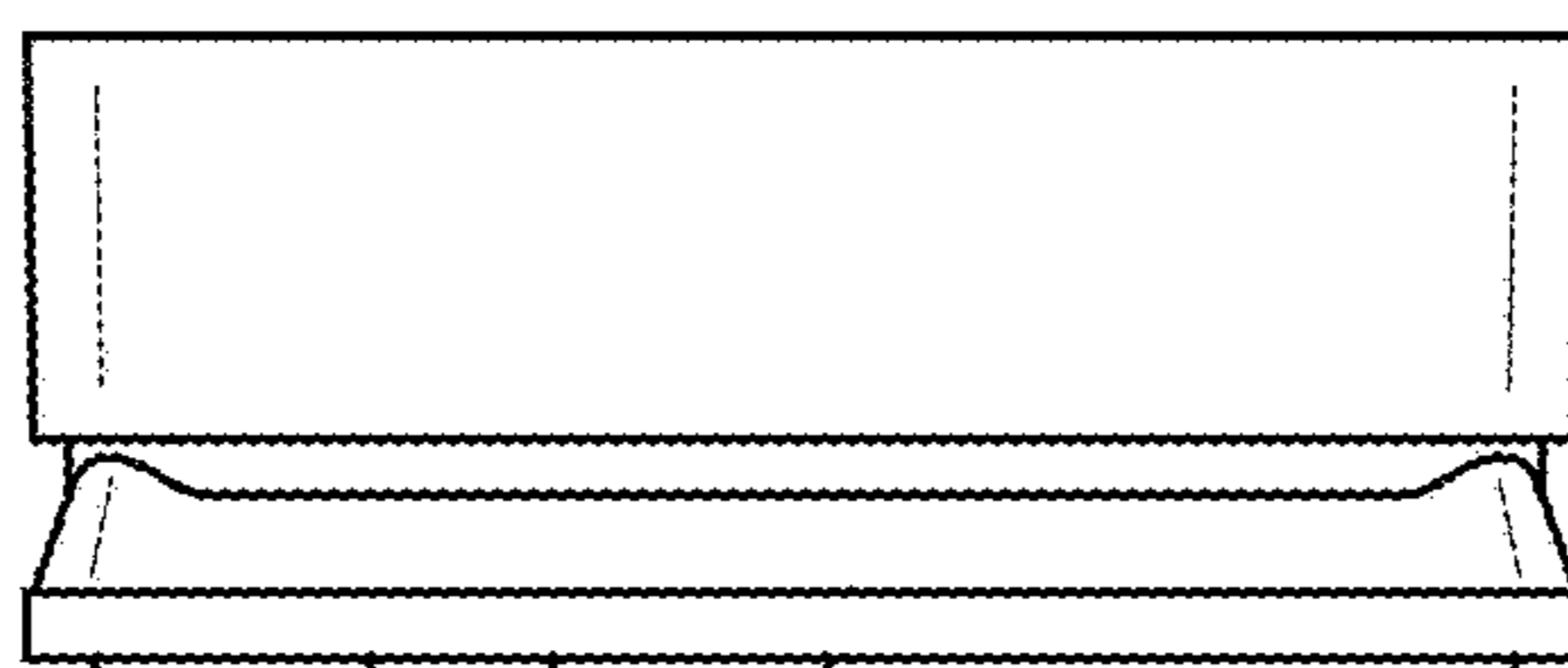


Fig. 5

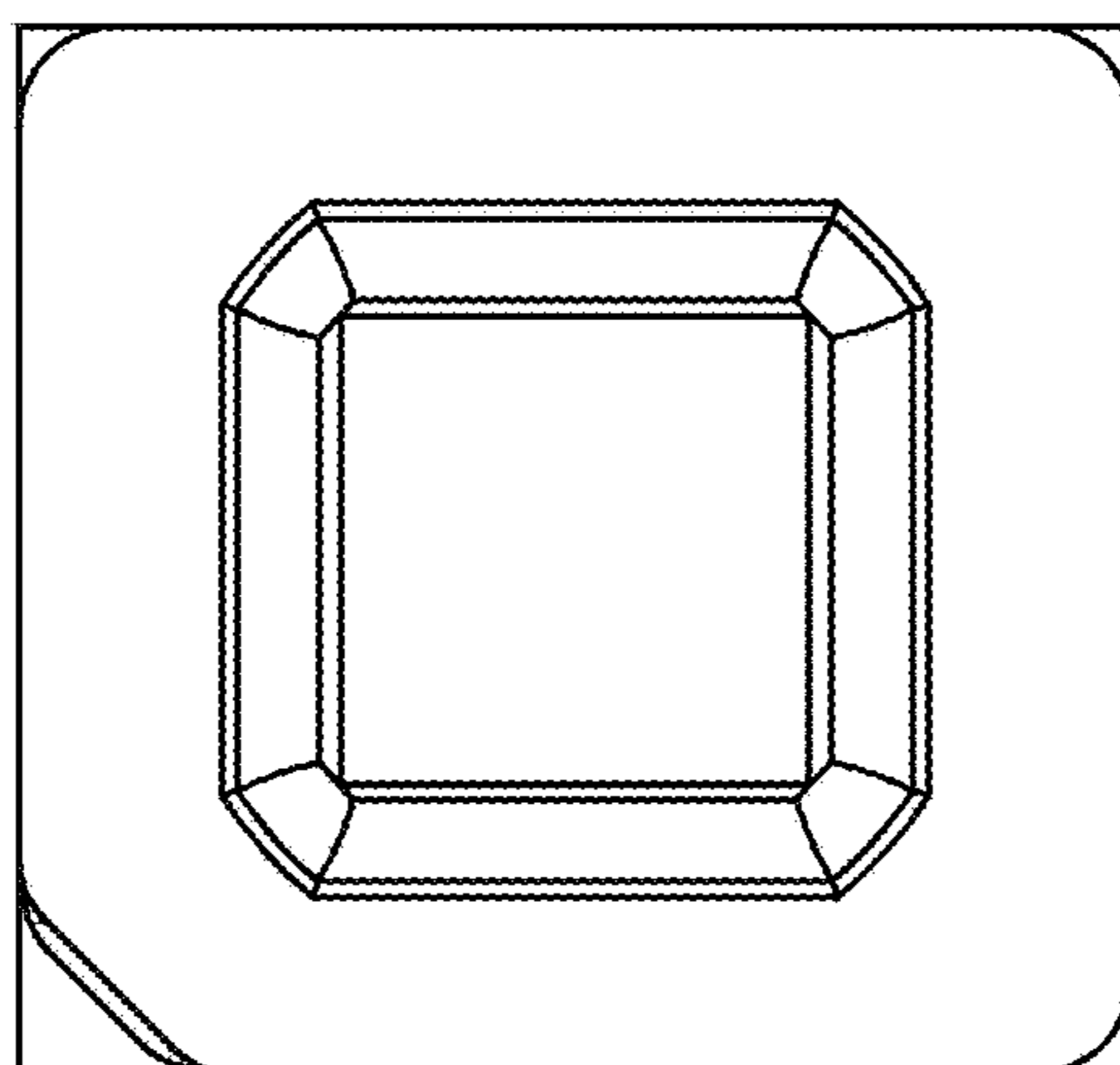


Fig. 6

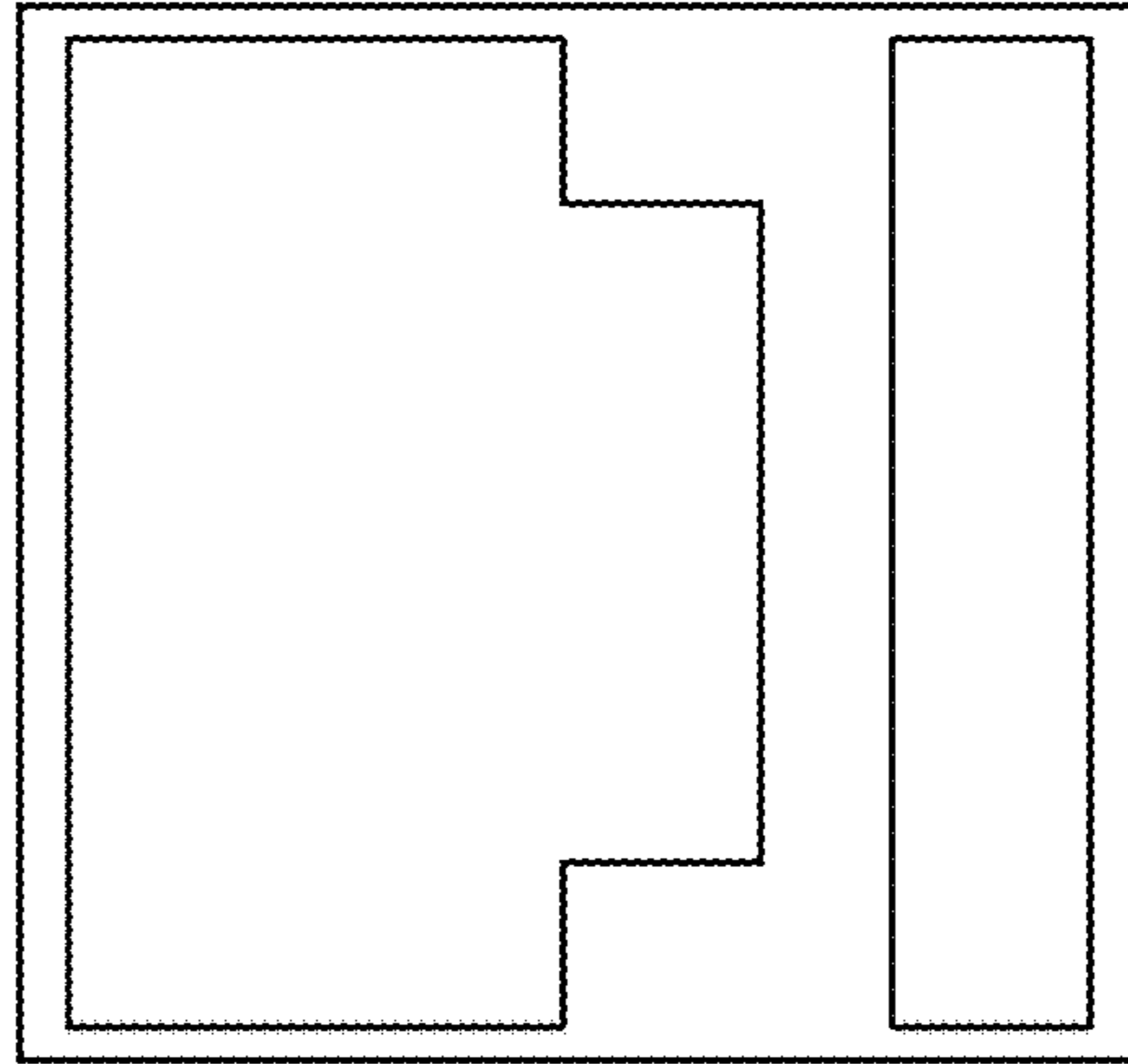


Fig. 7

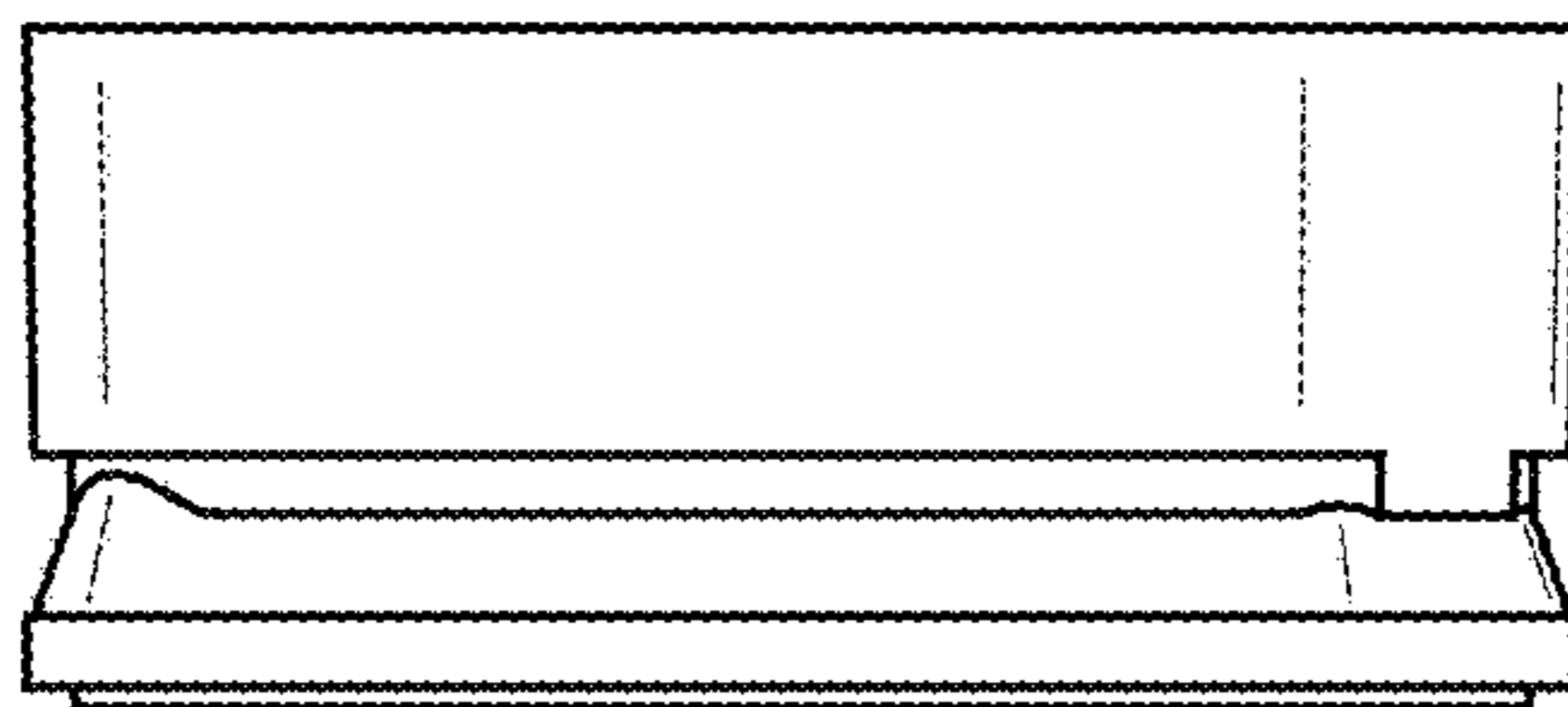


Fig. 8

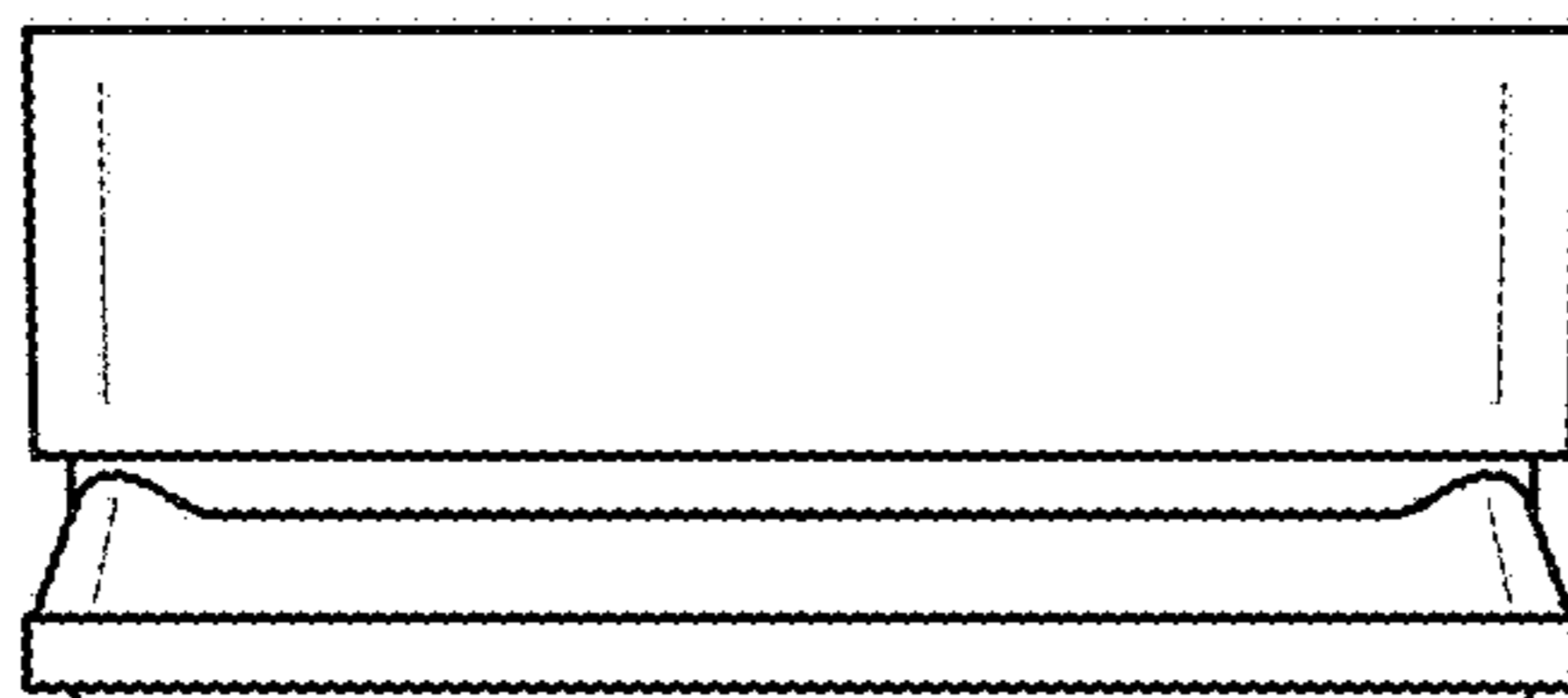


Fig. 9

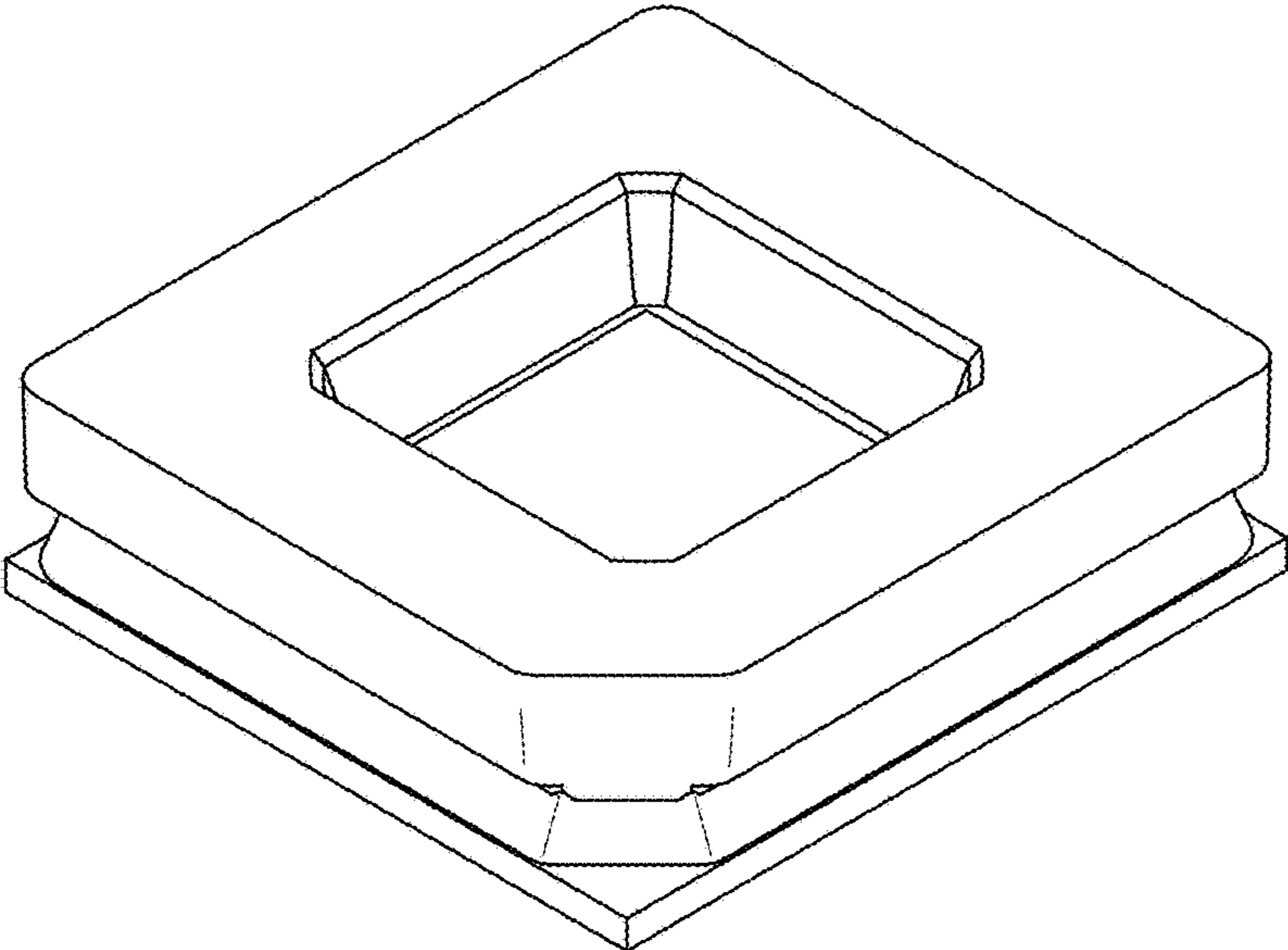


Fig. 10

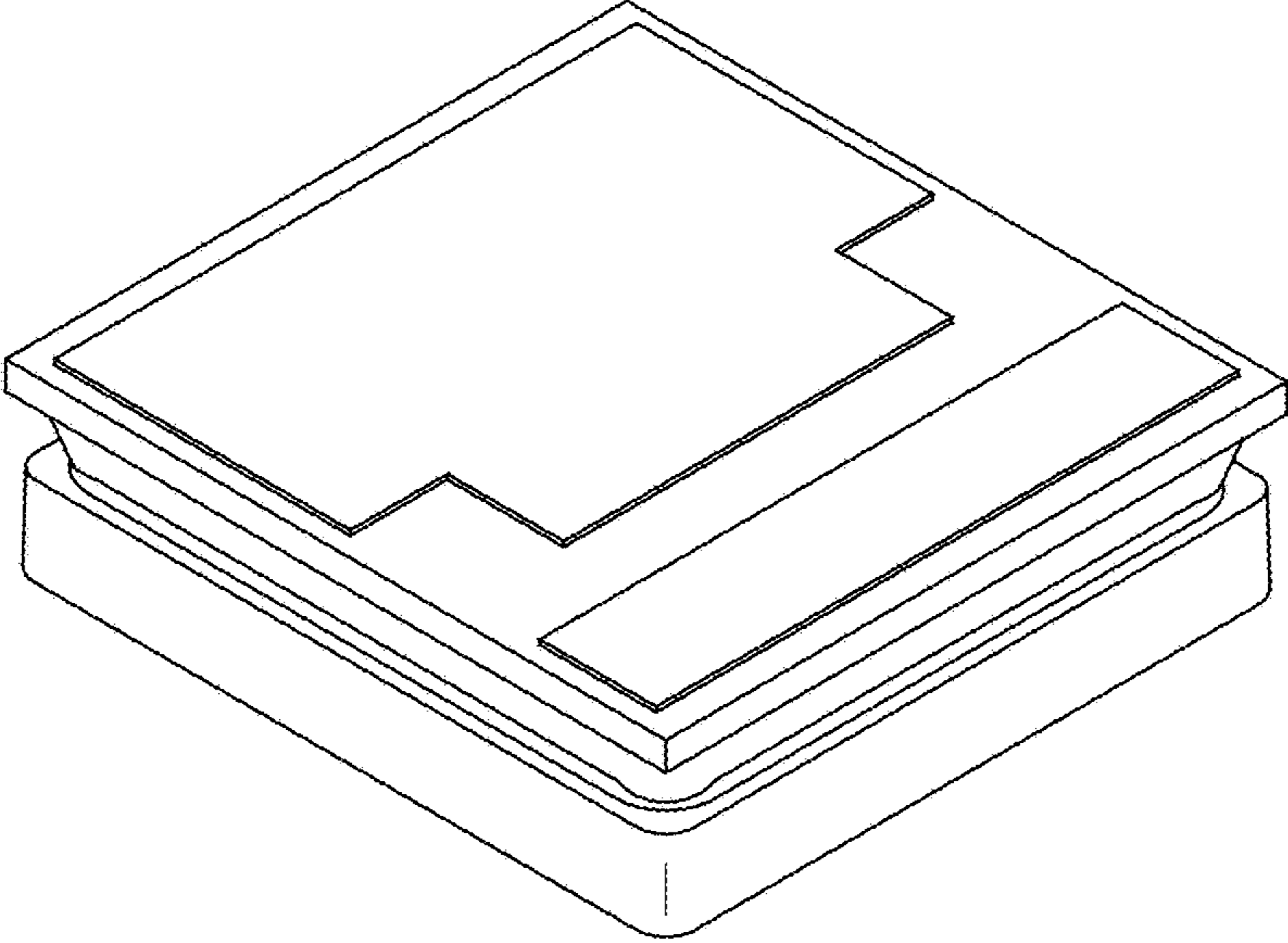


Fig. 11

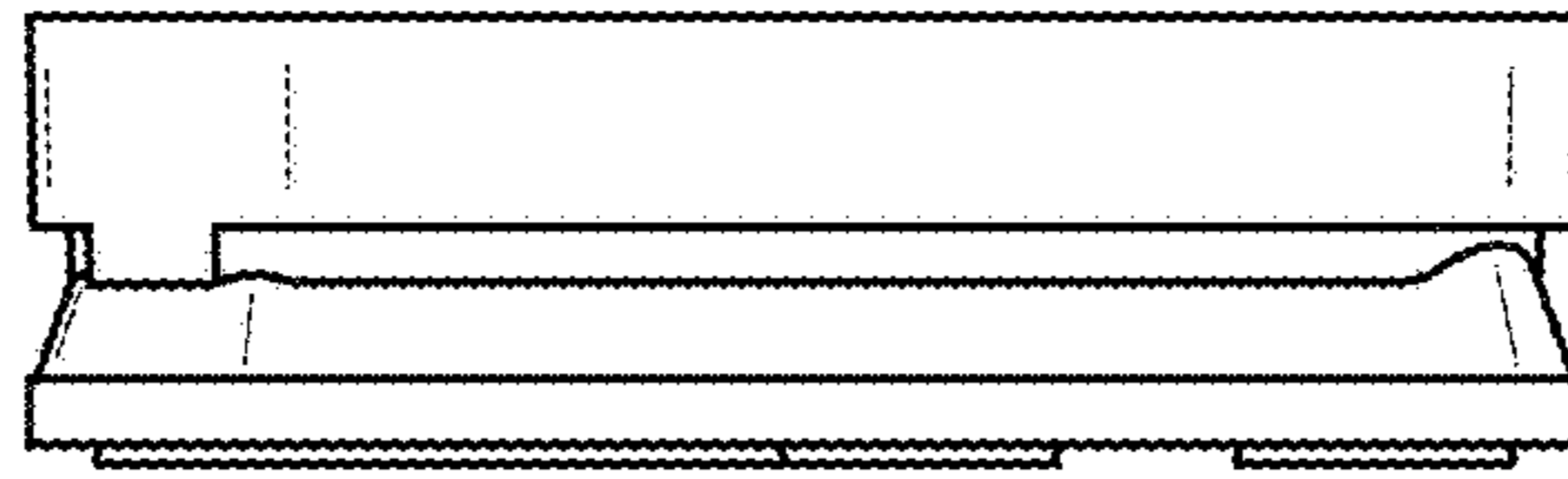


Fig. 12

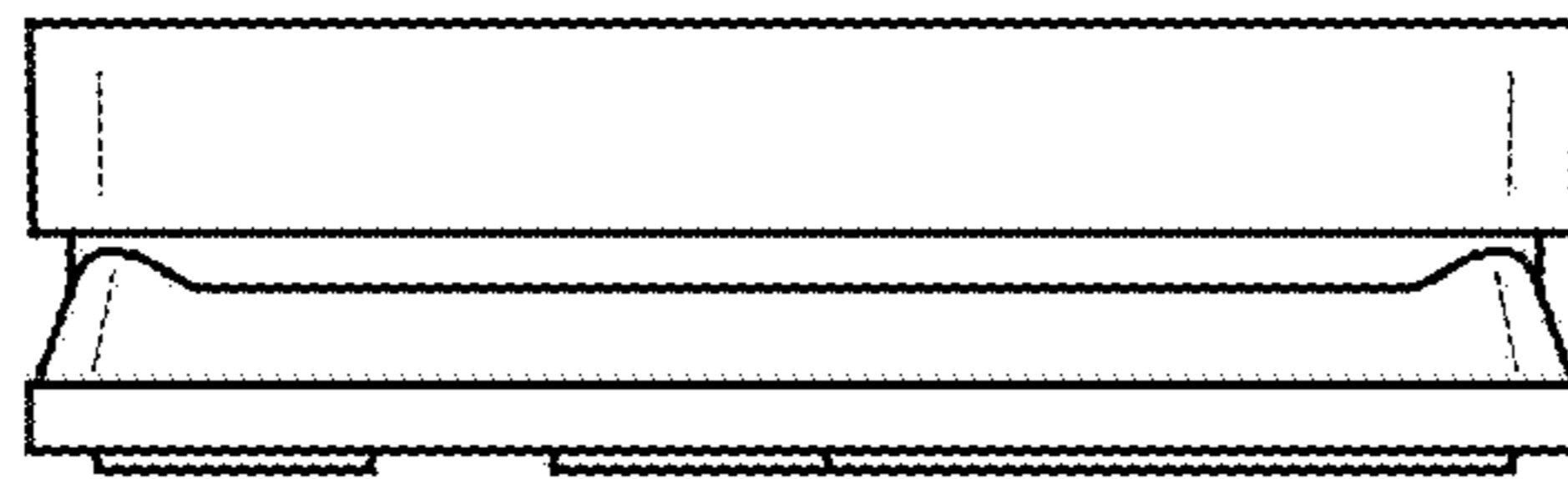


Fig. 13

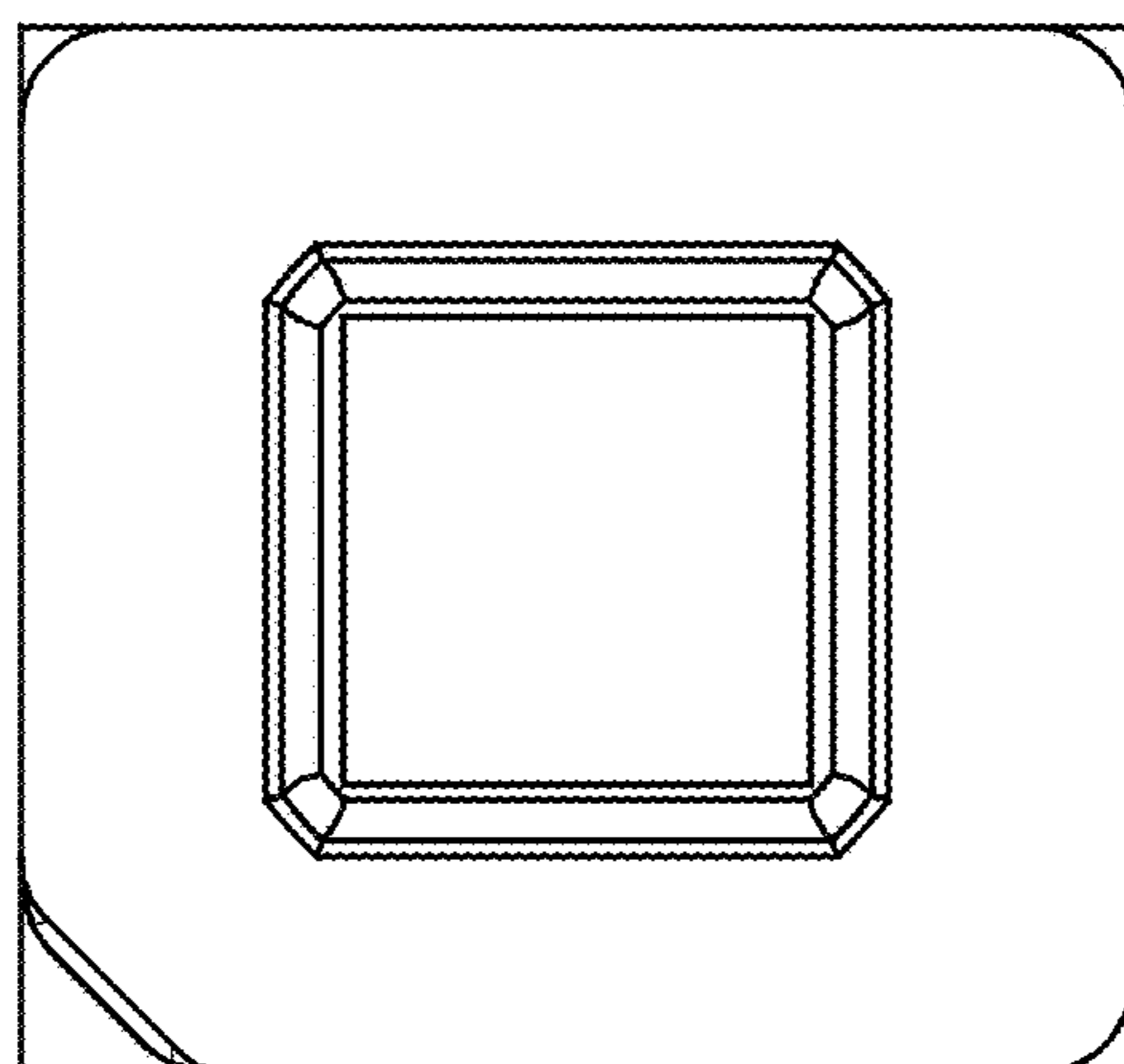


Fig. 14

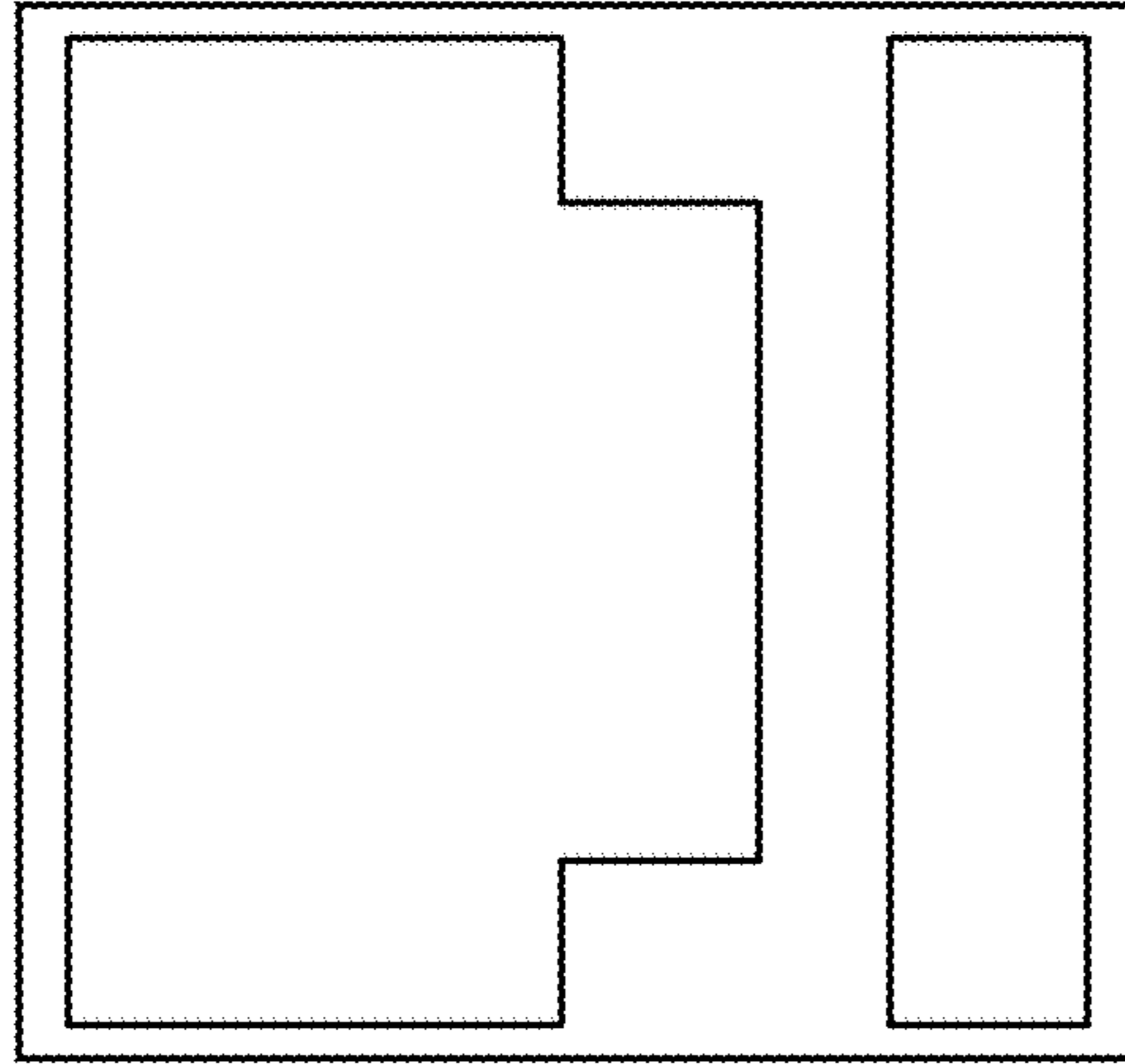


Fig. 15

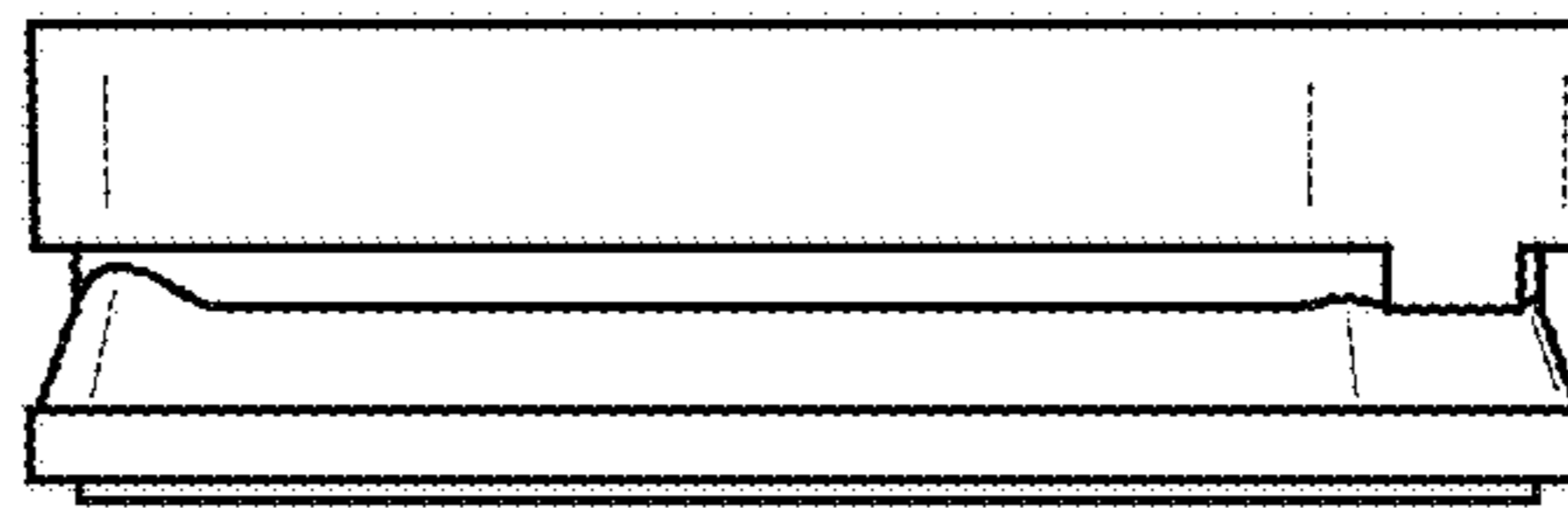


Fig. 16

