

US00D782987S

(12) **United States Design Patent**  
**Gassner**

(10) **Patent No.:** **US D782,987 S**

(45) **Date of Patent:** **\*\* Apr. 4, 2017**

(54) **EMBEDDED USB HAND CONTROLLER**

(71) Applicant: **LIMOSS (SHENZHEN) CO., LTD**,  
Shenzhen, Guangdong (CN)

(72) Inventor: **Christian Gassner**, Guangdong (CN)

(73) Assignee: **LIMOSS (SHENZHEN) CO., LTD**,  
Shenzhen (CN)

(\*\*) Term: **15 Years**

(21) Appl. No.: **29/551,351**

(22) Filed: **Jan. 13, 2016**

(51) **LOC (10) Cl.** ..... **13-03**

(52) **U.S. Cl.**  
USPC ..... **D13/171**

(58) **Field of Classification Search**  
USPC ..... D13/162, 171, 173, 174  
CPC H01H 3/02; H01H 3/022; H01H 3/12; H01H  
3/122; H01H 9/02; H01H 9/0235; H01H  
13/023; H01H 13/04; H01H 13/06; H01H  
13/063; H01H 13/10; H01H 13/12; H01H  
13/14; H01H 13/36; H01H 13/70; H01H  
13/86; H01H 21/24; H01H 25/065;  
(Continued)

(56) **References Cited**

**U.S. PATENT DOCUMENTS**

D691,098 S \* 10/2013 Li ..... D13/174  
D691,099 S \* 10/2013 Li ..... D13/174

(Continued)

*Primary Examiner* — Selina Sikder

(57) **CLAIM**

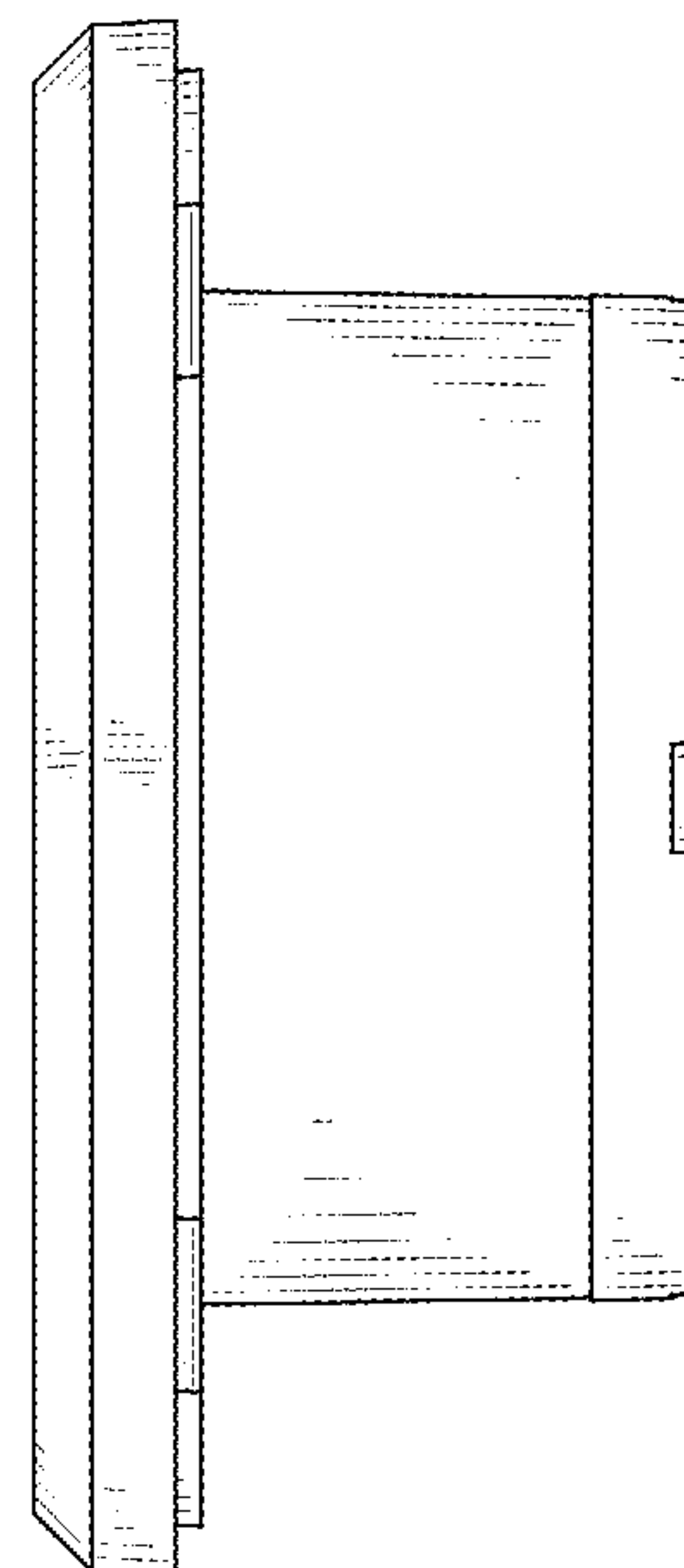
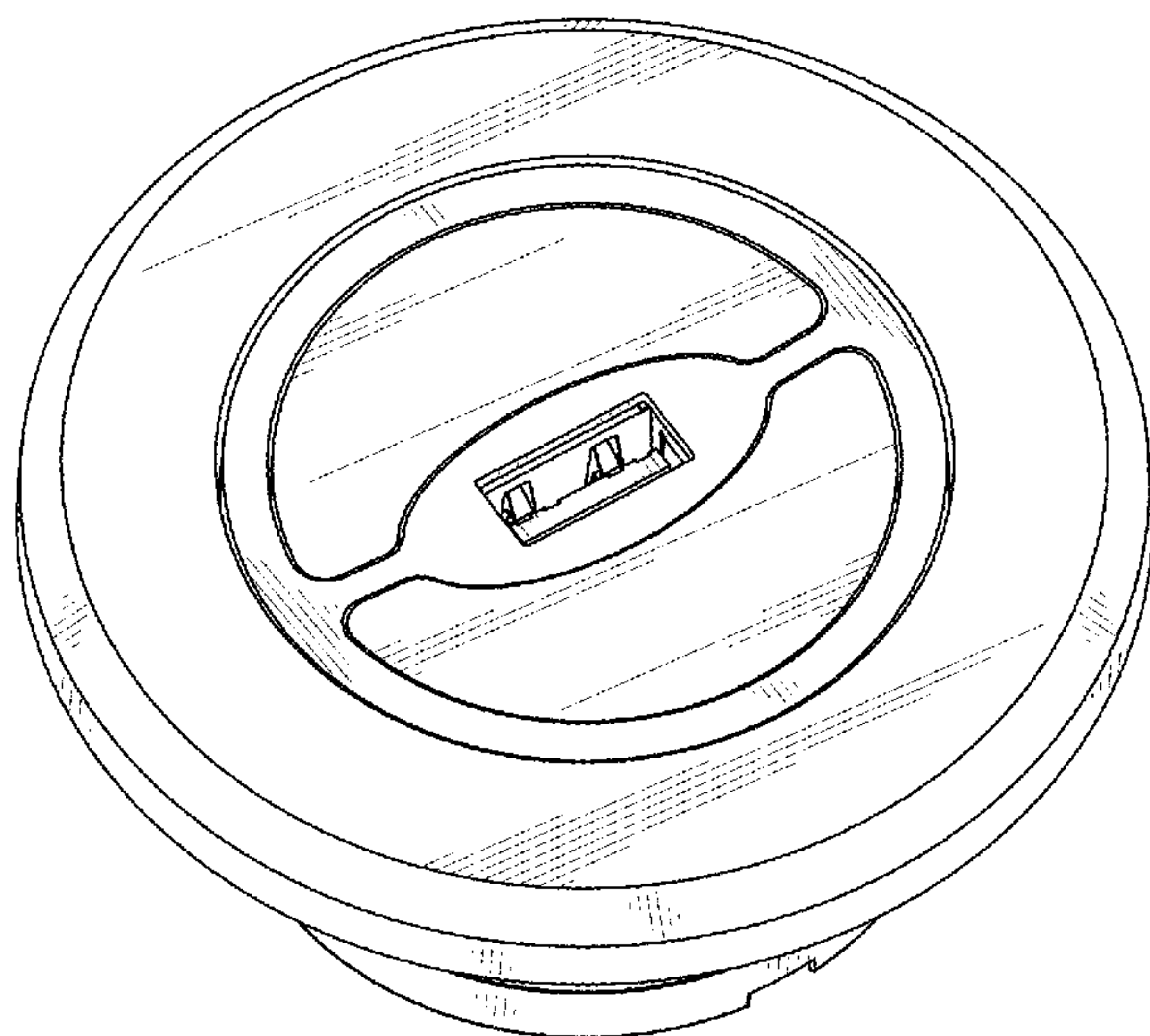
The ornamental design for an embedded USB hand controller, as shown and described.

**DESCRIPTION**

FIG. 1 is a first perspective view of a first embodiment of an embedded USB hand controller showing my new design; the two crescent-shaped areas as shown in the figure are flat; FIG. 2 is a second perspective view of FIG. 1; FIG. 3 is a front elevational view of FIG. 1; FIG. 4 is a rear elevational view of FIG. 1; FIG. 5 is a left side view of FIG. 1; FIG. 6 is a right side view of FIG. 1; FIG. 7 is a top plan view of FIG. 1; FIG. 8 is a bottom plan view of FIG. 1; FIG. 9 is a first perspective view of a second embodiment of an embedded USB hand controller; the two crescent-shaped areas as shown in the figure are concave recesses; FIG. 10 is a second perspective view of FIG. 9; FIG. 11 is a front elevational view of FIG. 9; FIG. 12 is a rear elevational view of FIG. 9; FIG. 13 is a left side view of FIG. 9; FIG. 14 is a right side view of FIG. 9; FIG. 15 is a top plan view of FIG. 9; FIG. 16 is a bottom plan view of FIG. 9; FIG. 17 is a first perspective view of a third embodiment of an embedded USB hand controller; the two crescent-shaped areas as shown in the figure are flat; FIG. 18 is a second perspective view of FIG. 17; FIG. 19 is a front elevational view of FIG. 17; FIG. 20 is a rear elevational view of FIG. 17; FIG. 21 is a left side view of FIG. 17; FIG. 22 is a right side view of FIG. 17; FIG. 23 is a top plan view of FIG. 17; and, FIG. 24 is a bottom plan view of FIG. 17.

The broken lines are for illustrative purposes only and form no part of the claimed design.

**1 Claim, 24 Drawing Sheets**



(58) **Field of Classification Search**

CPC ..... A47C 1/0242; A47C 1/0345; A47C 1/035;  
A47C 7/506

See application file for complete search history.

(56) **References Cited**

U.S. PATENT DOCUMENTS

D692,401 S *	10/2013	Li .....	D13/174
D707,640 S *	6/2014	Li .....	D13/174
8,766,115 B2 *	7/2014	Kristen .....	H01H 13/86 200/5 A
D714,233 S *	9/2014	Dorn .....	D13/174
D720,305 S *	12/2014	Wenji .....	D13/174
D733,078 S *	6/2015	Wu .....	D13/171
D740,238 S *	10/2015	Dorn .....	D13/174
D748,590 S *	2/2016	Dorn .....	D13/174
D758,975 S *	6/2016	Hunter .....	D13/162
2011/0198894 A1 *	8/2011	Hsieh .....	A47C 1/0242 297/68
2014/0306505 A1 *	10/2014	Koch .....	H01H 9/0207 297/330
2014/0353134 A1 *	12/2014	Muller .....	H01H 3/20 200/5 A

\* cited by examiner

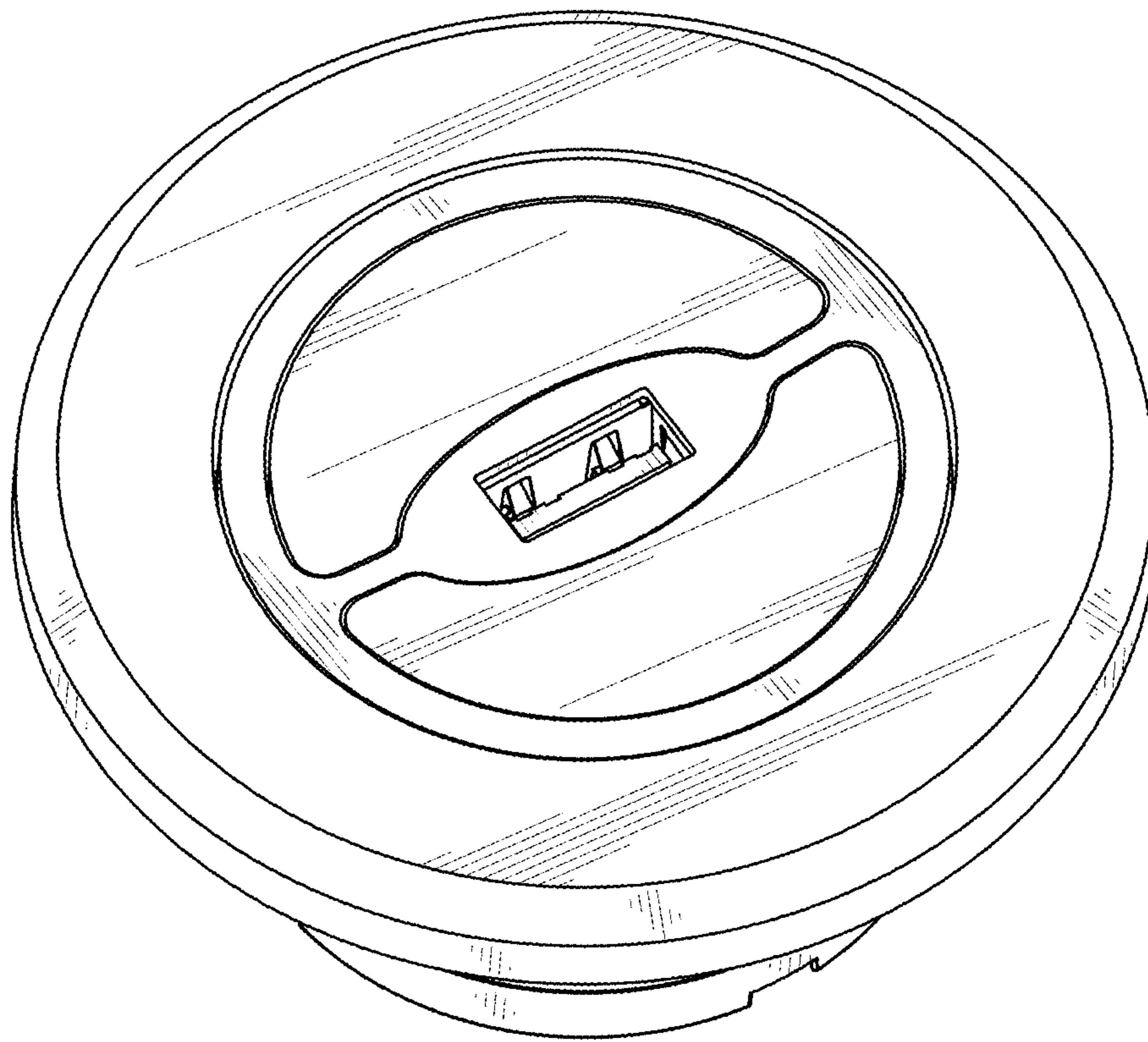


FIG. 1

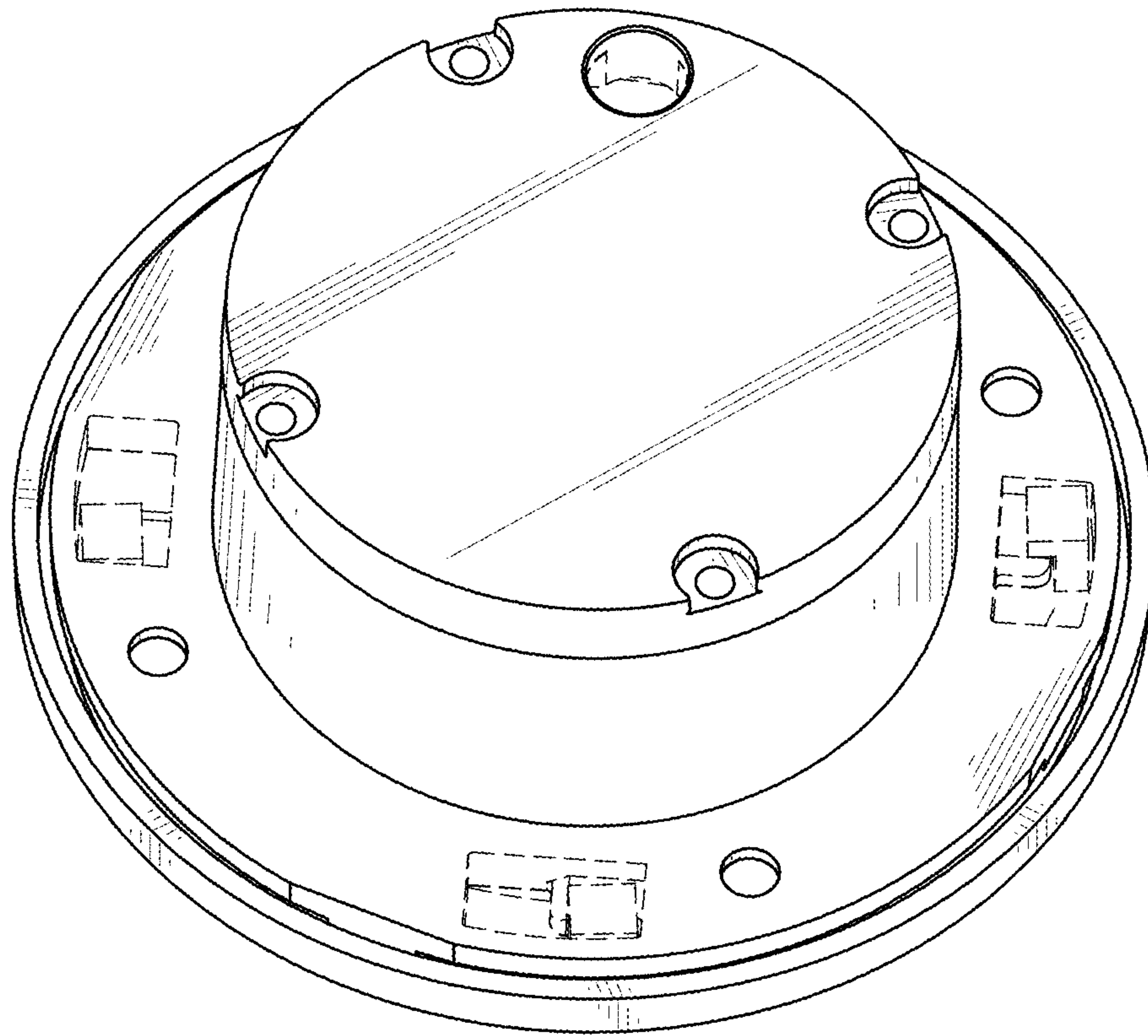


FIG. 2



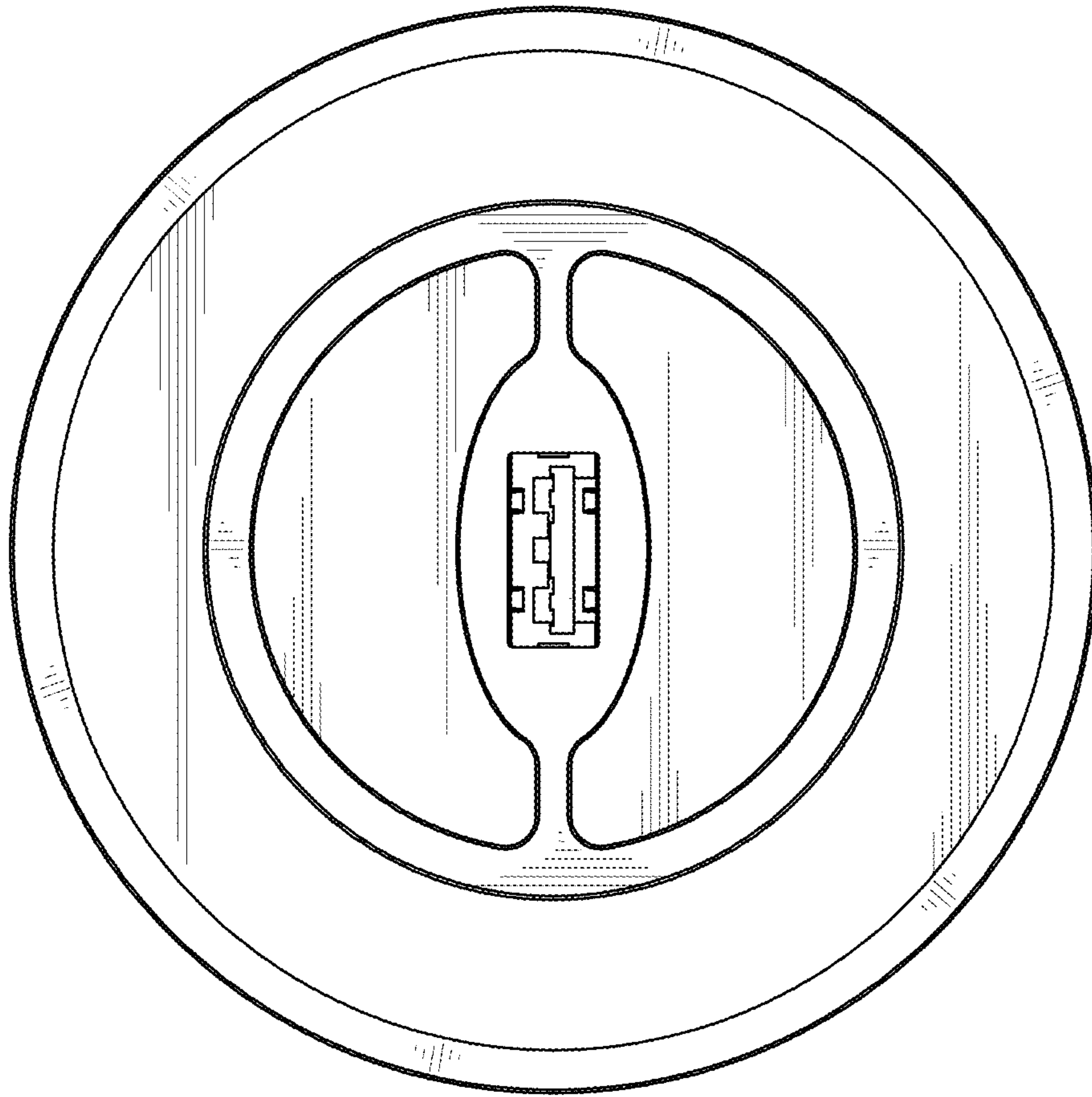


FIG. 3

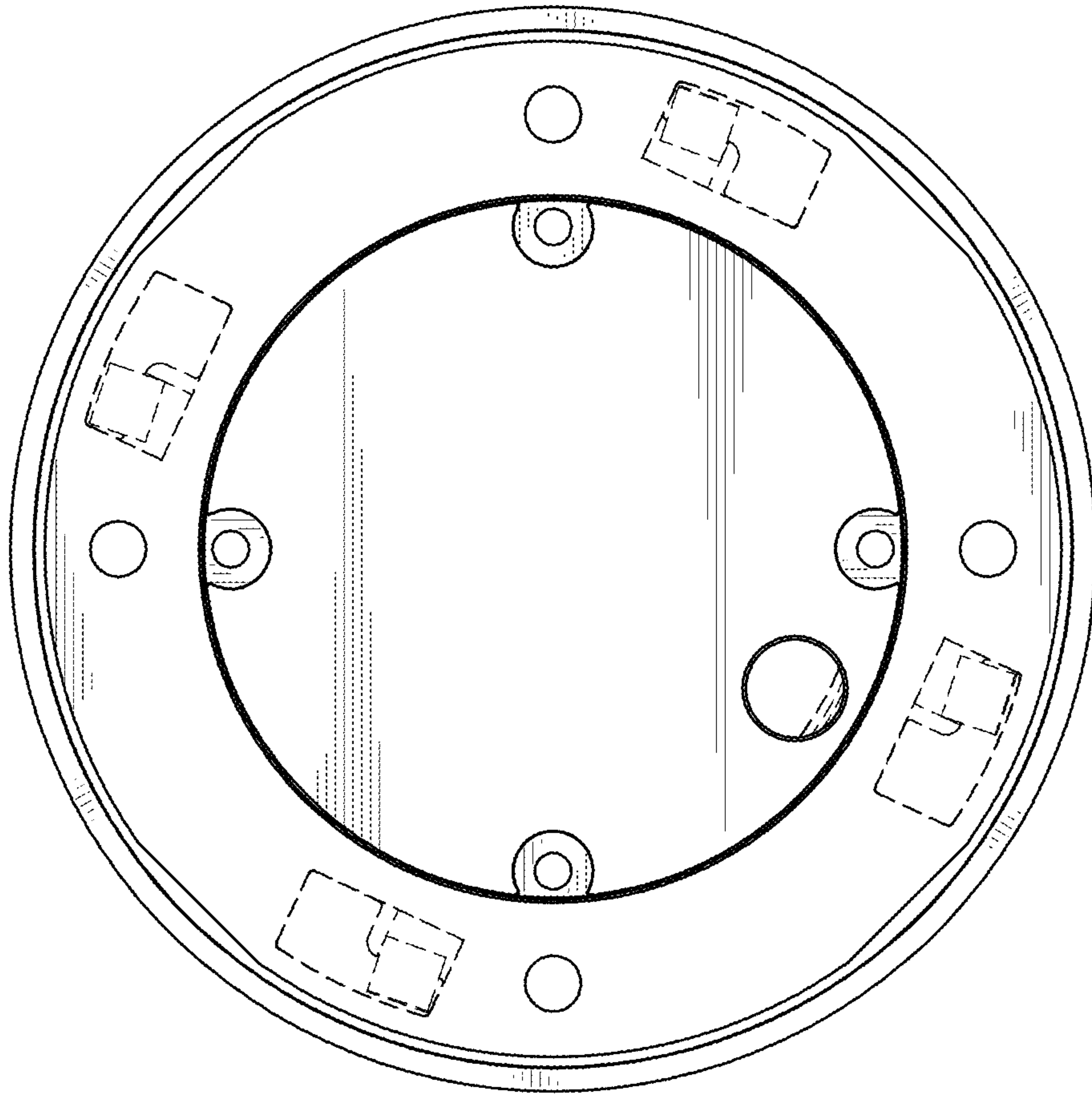


FIG. 4

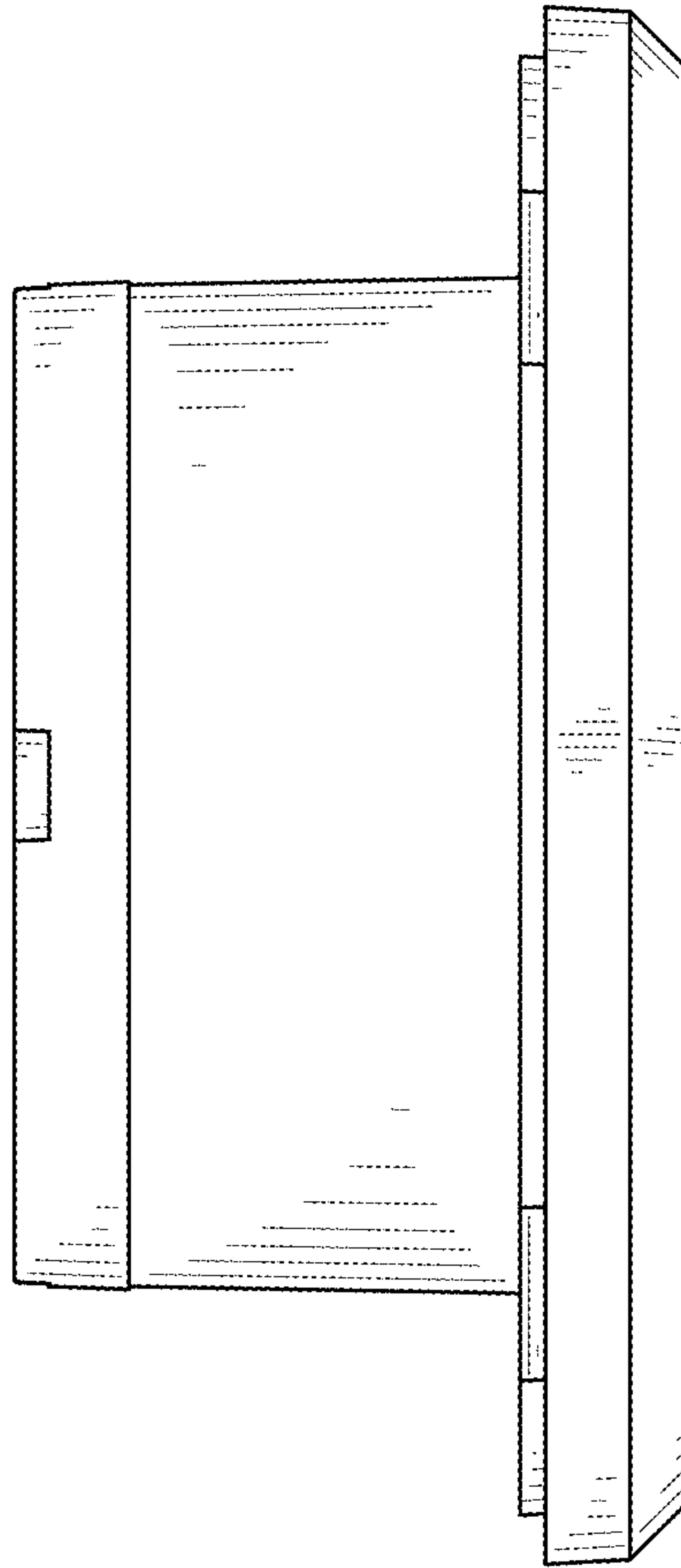


FIG. 5

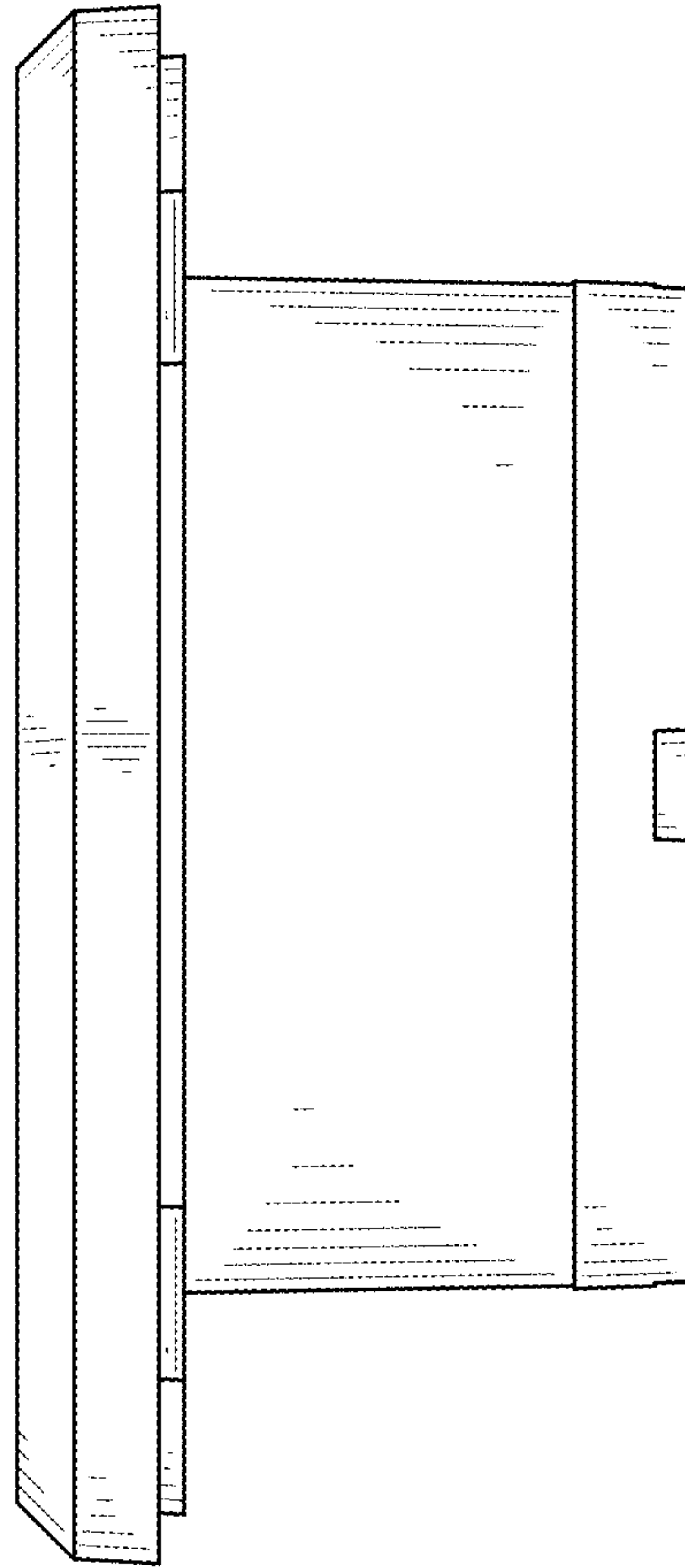


FIG. 6



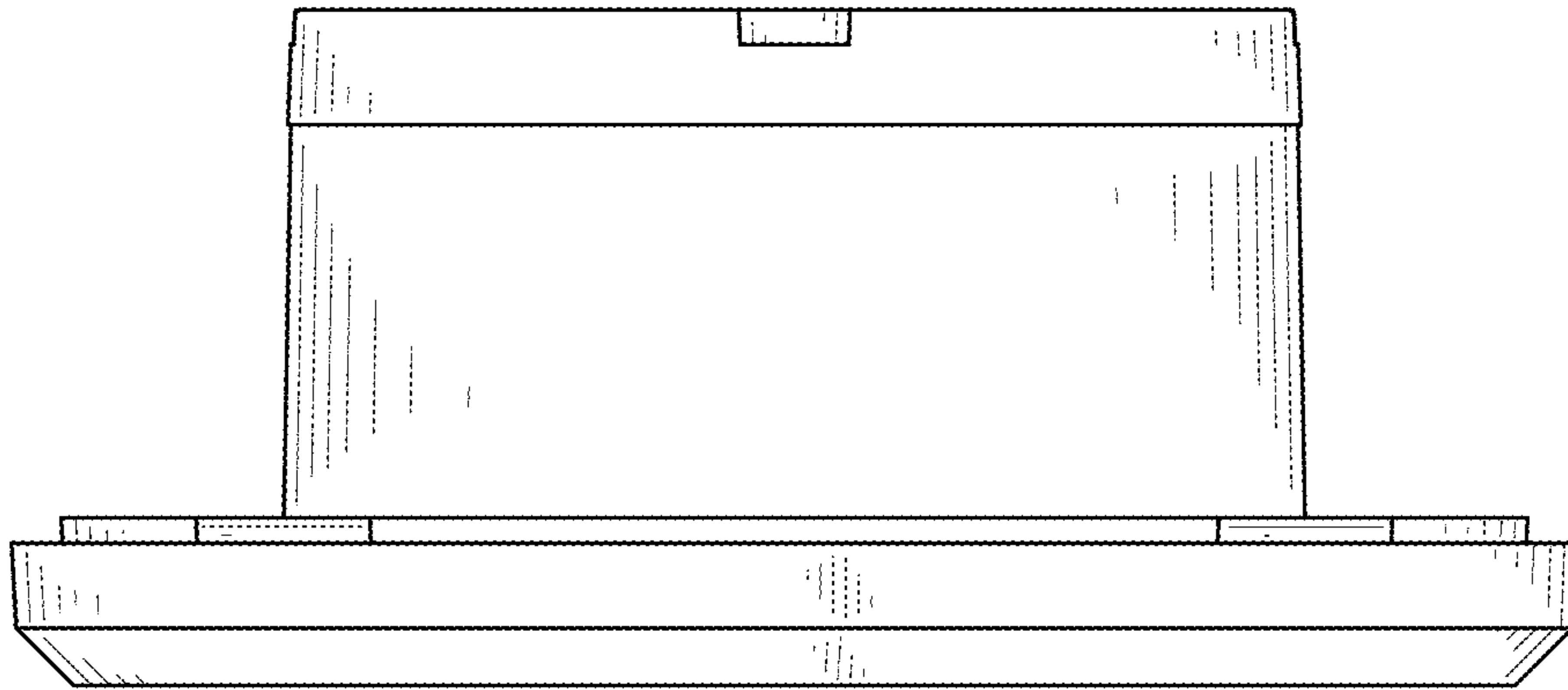


FIG. 7

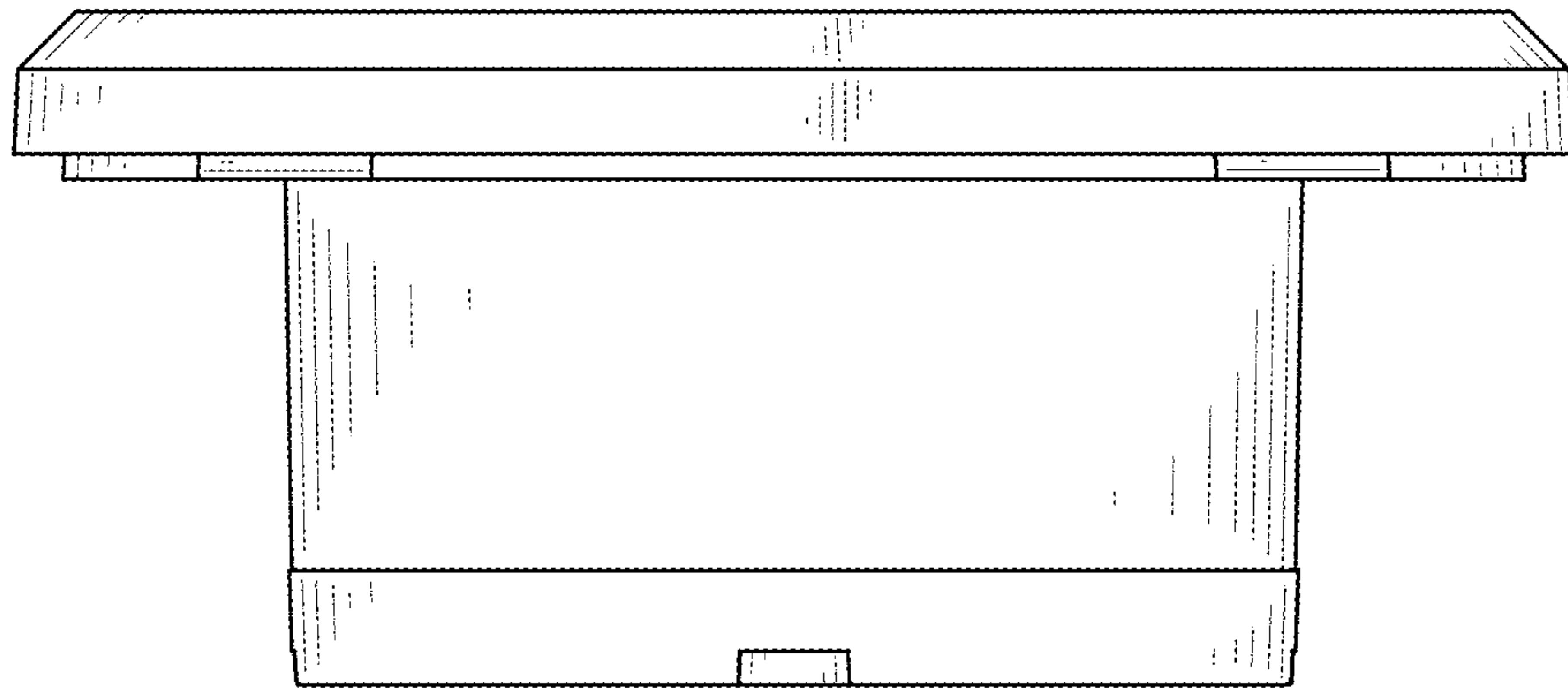


FIG. 8

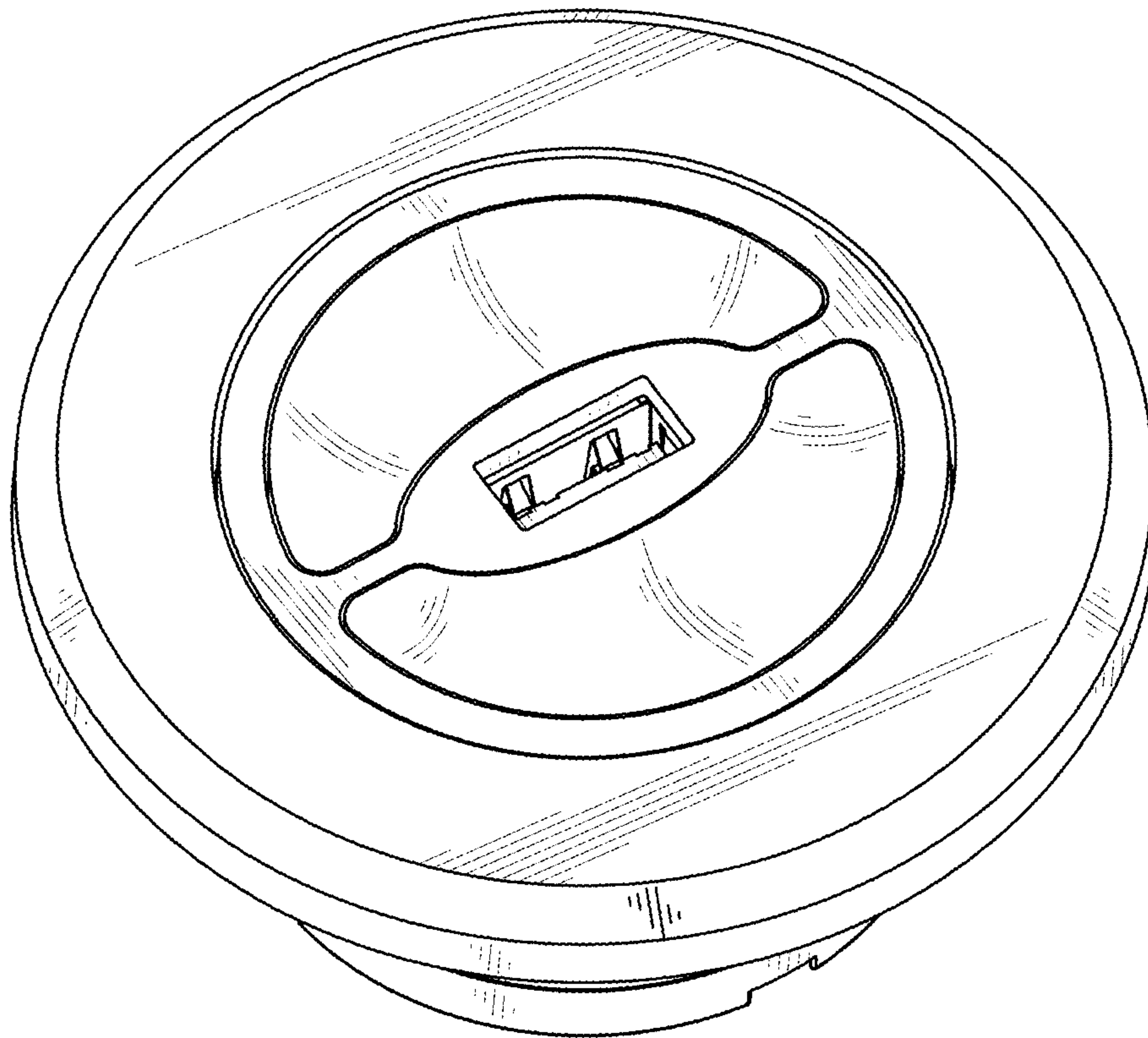


FIG. 9

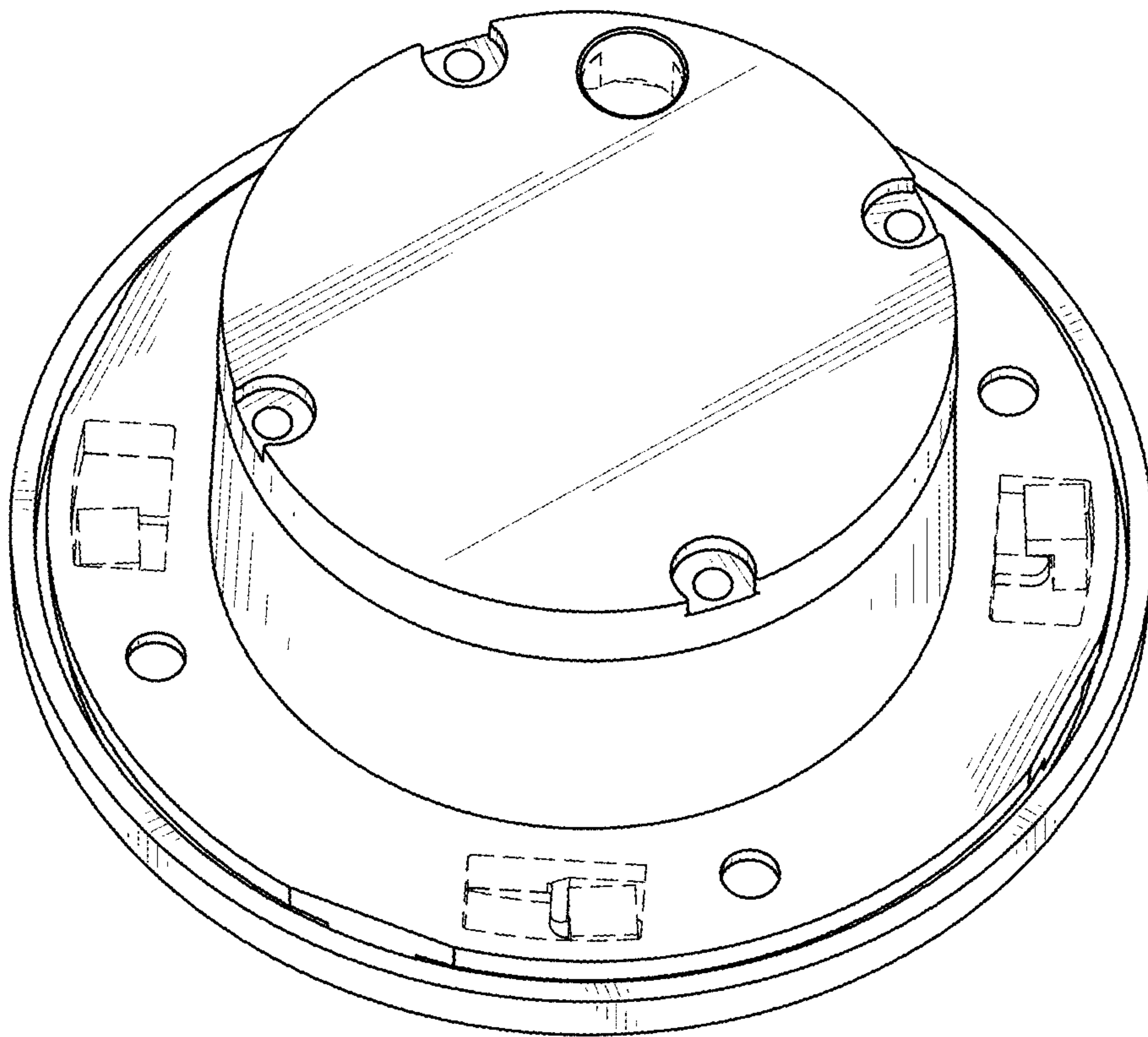


FIG. 10

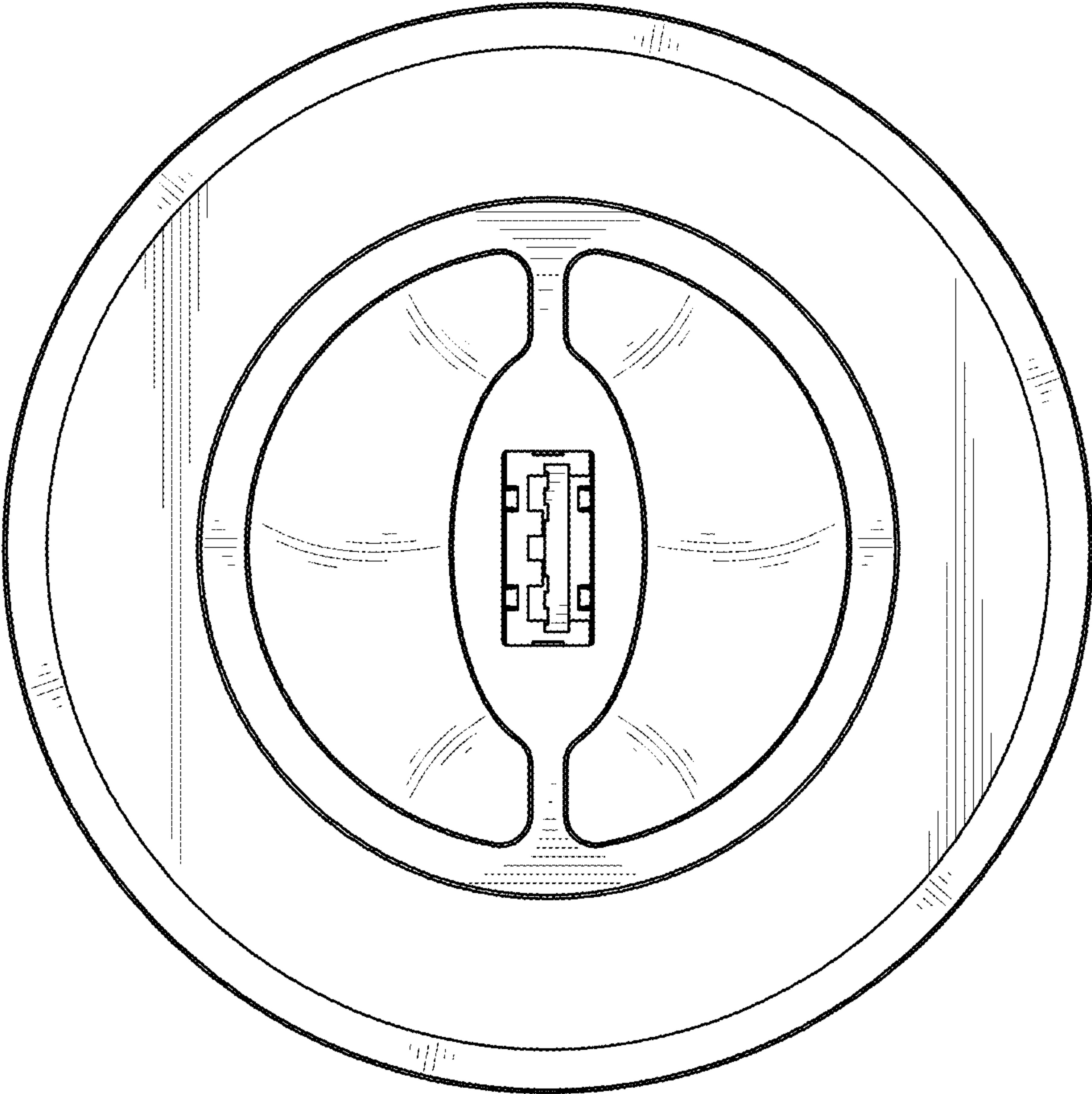


FIG. 11

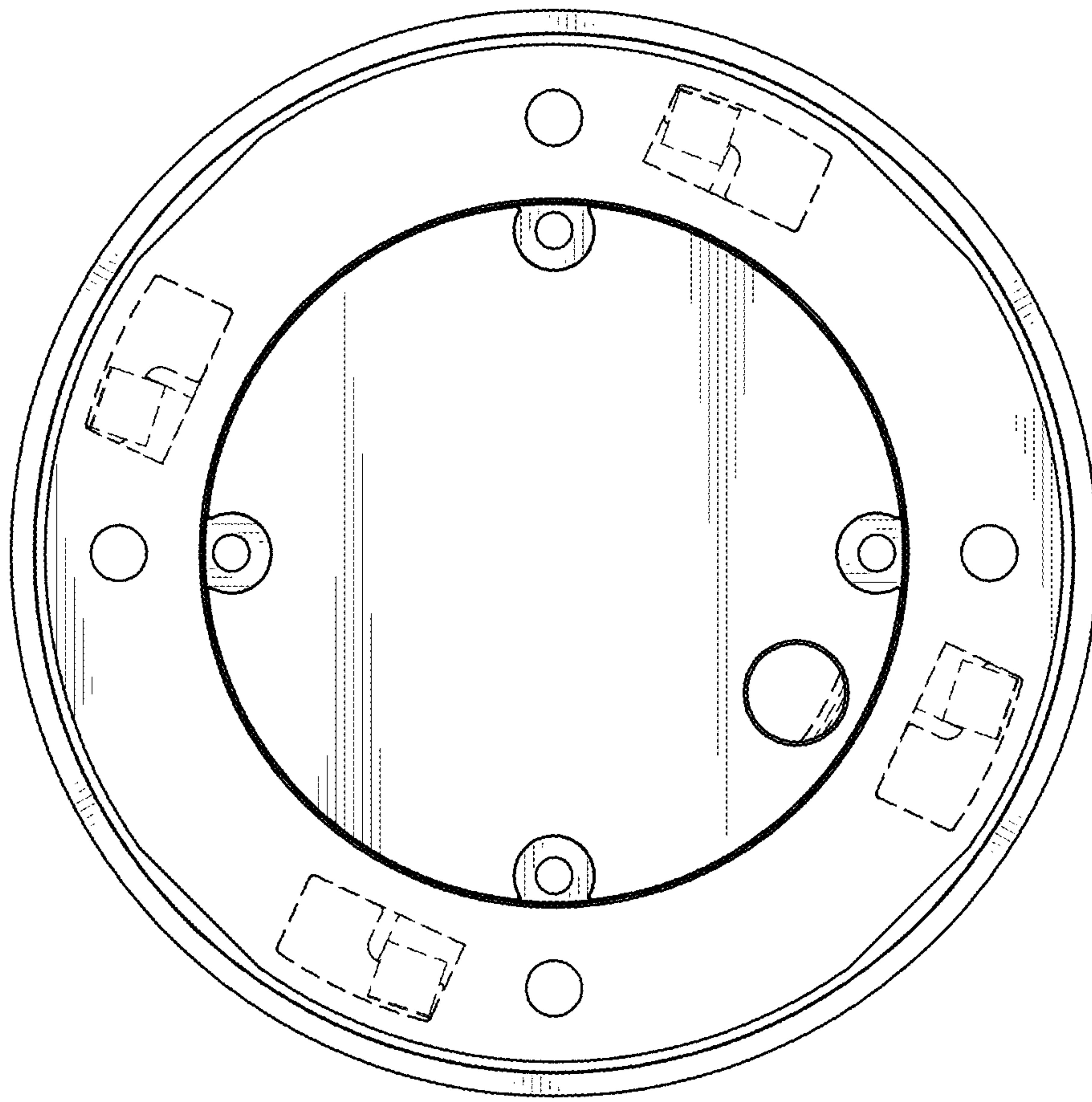


FIG. 12



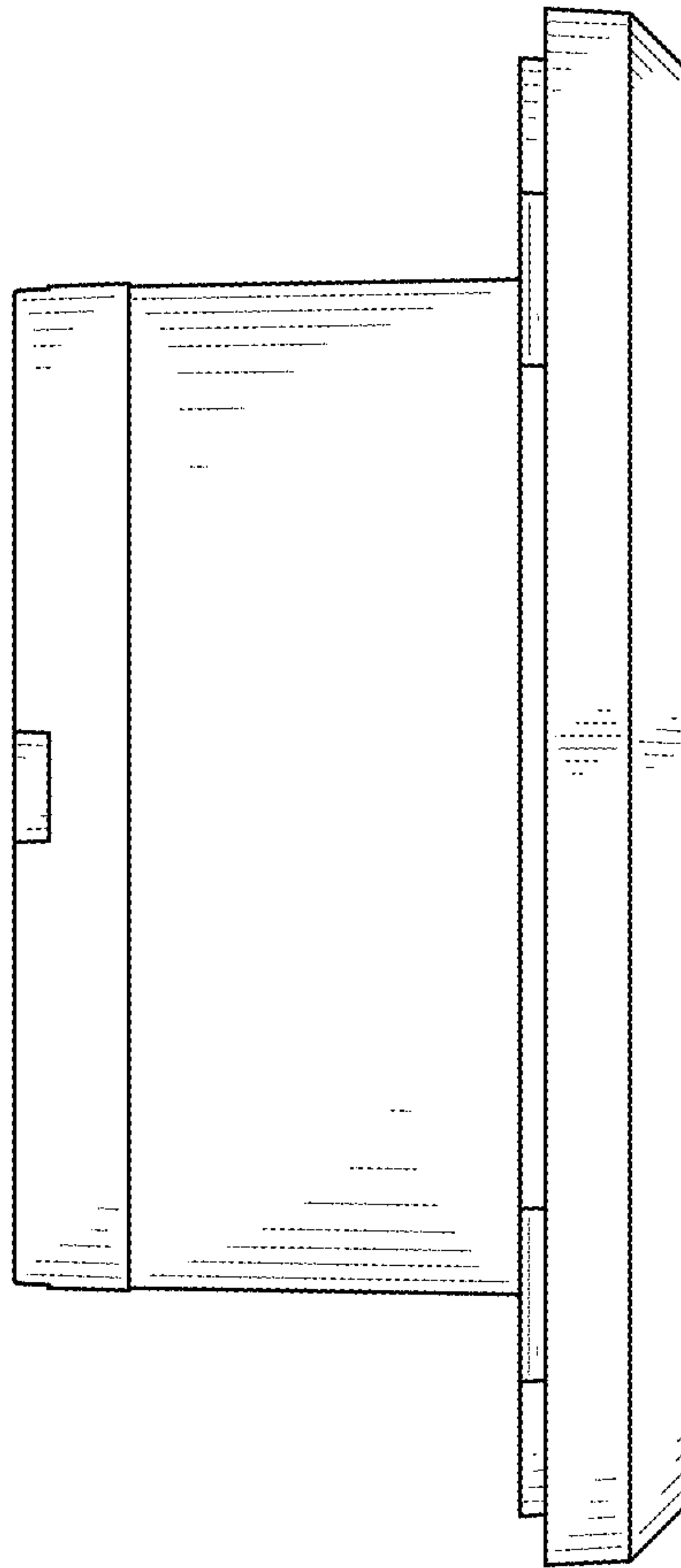


FIG. 13

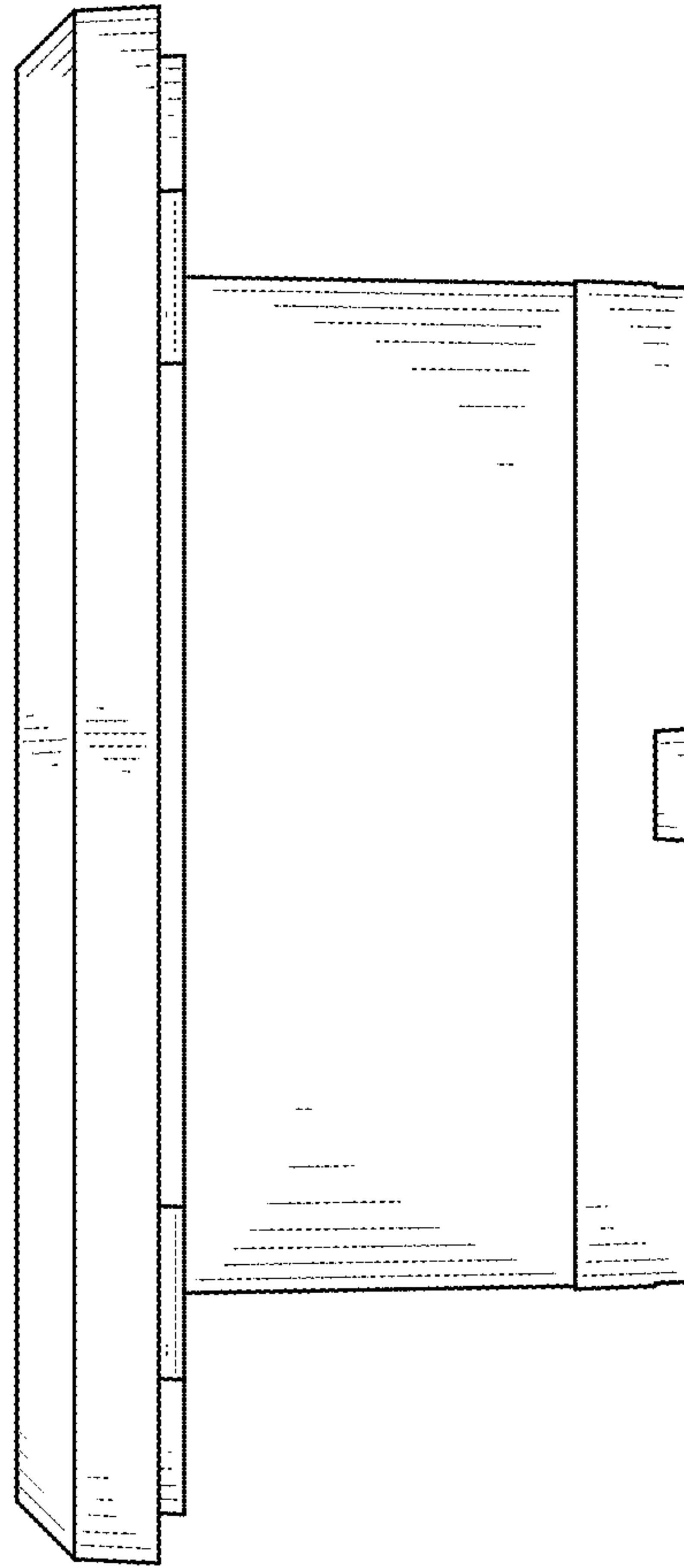


FIG. 14

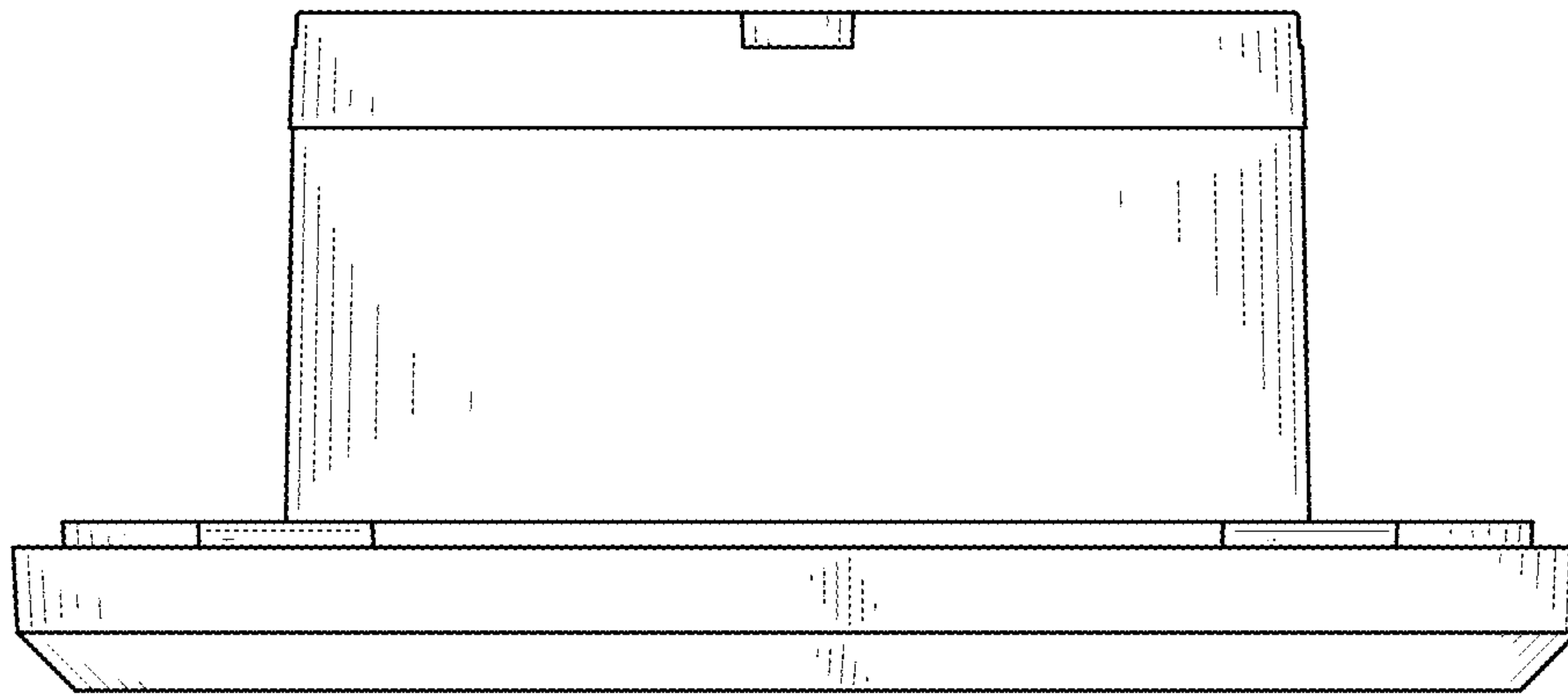


FIG. 15

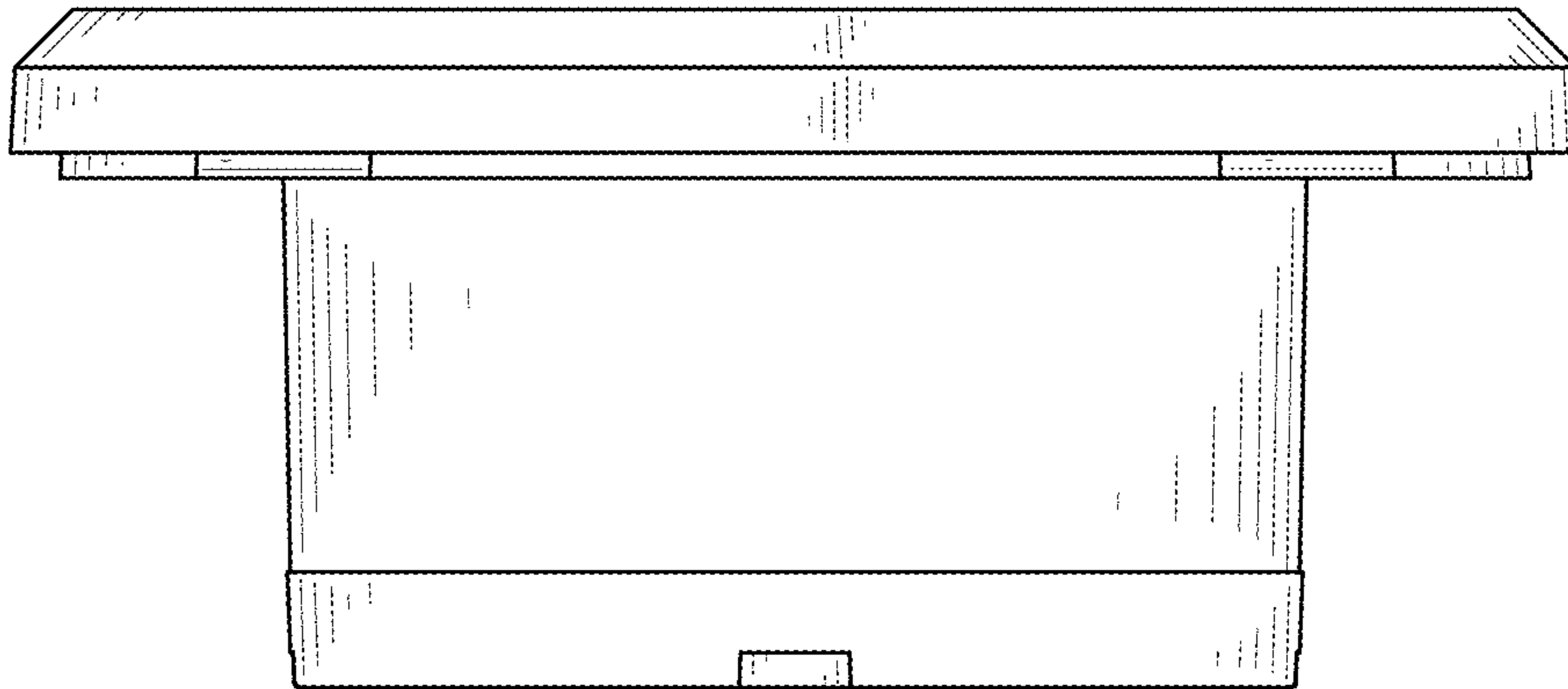


FIG. 16

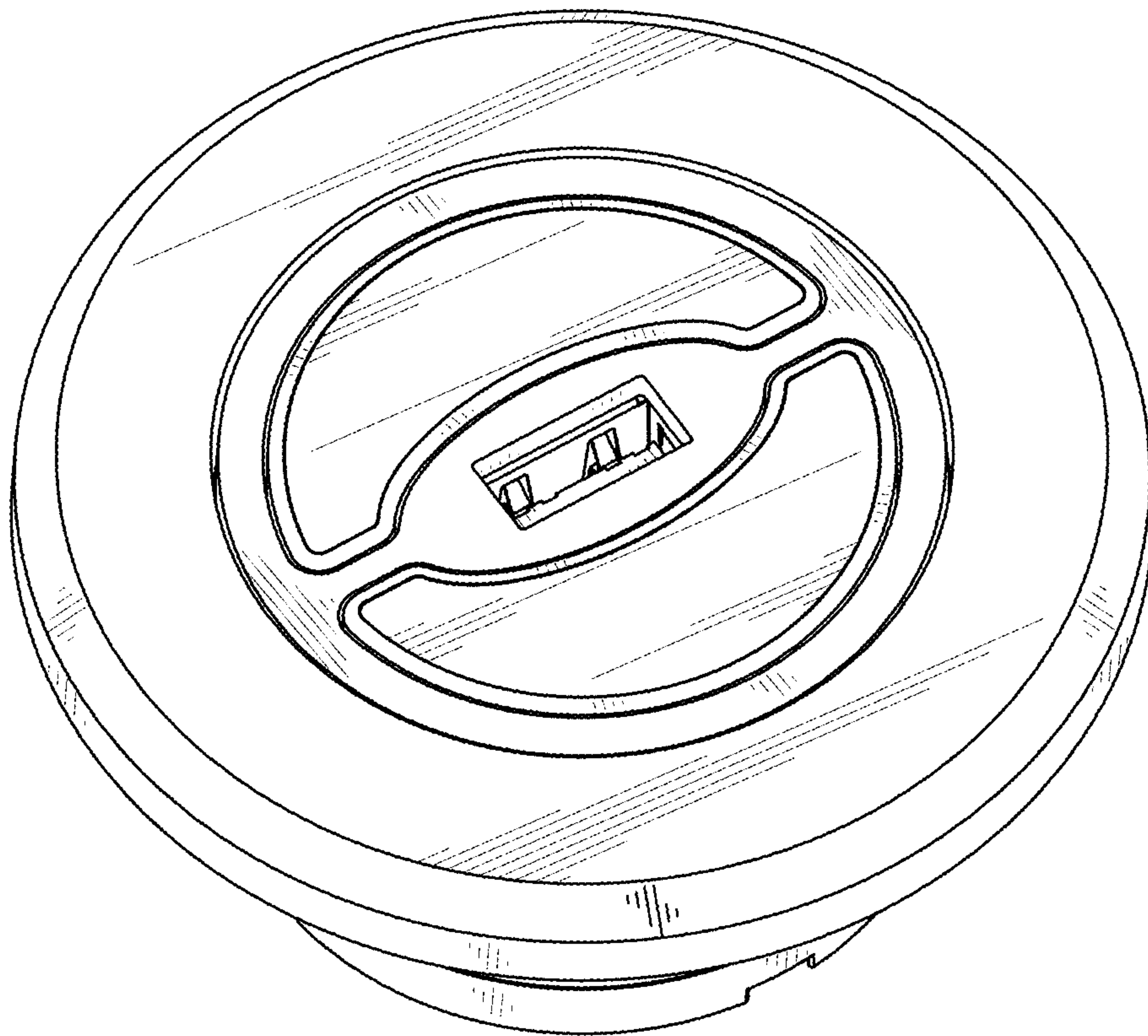


FIG. 17

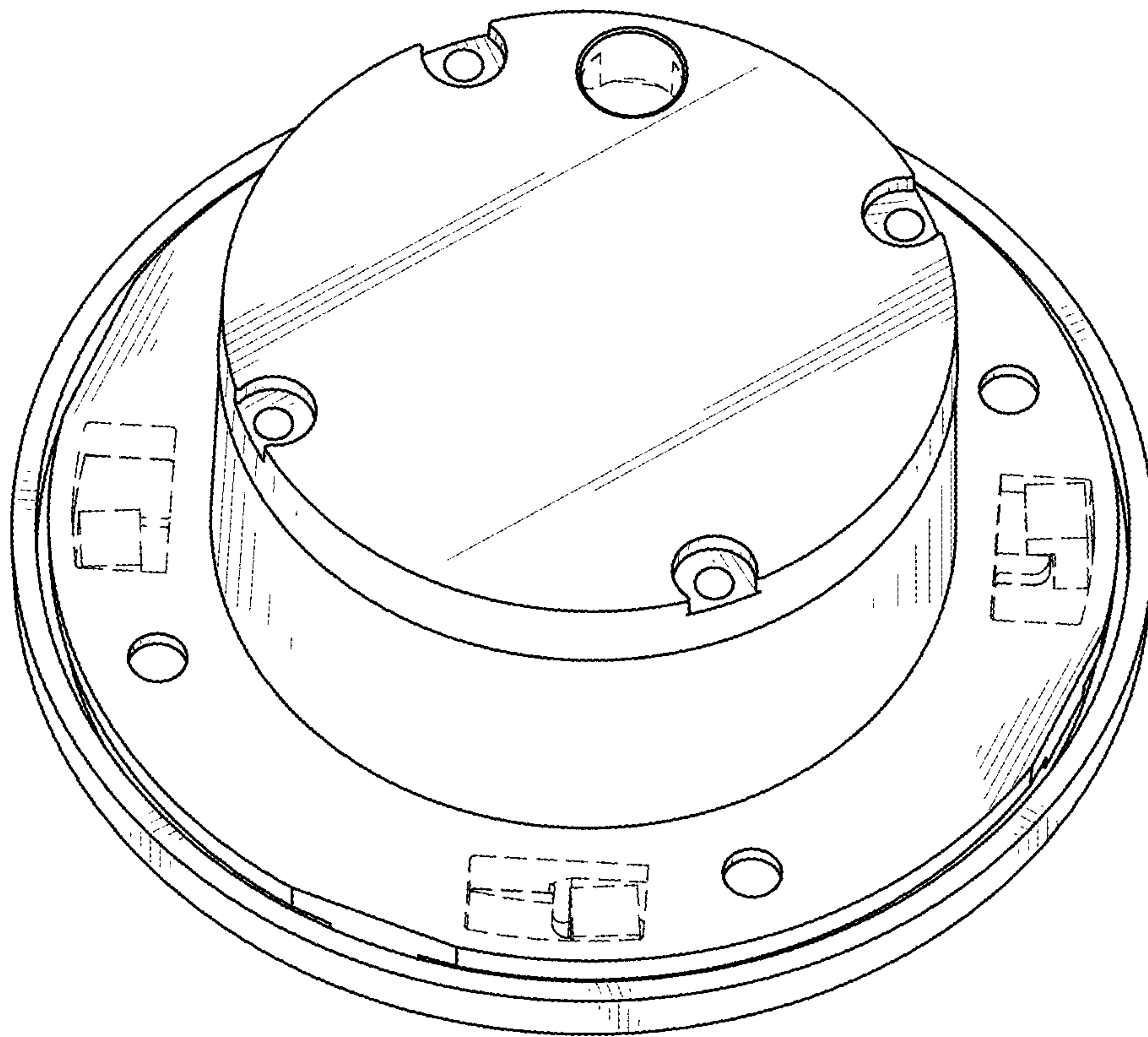


FIG. 18



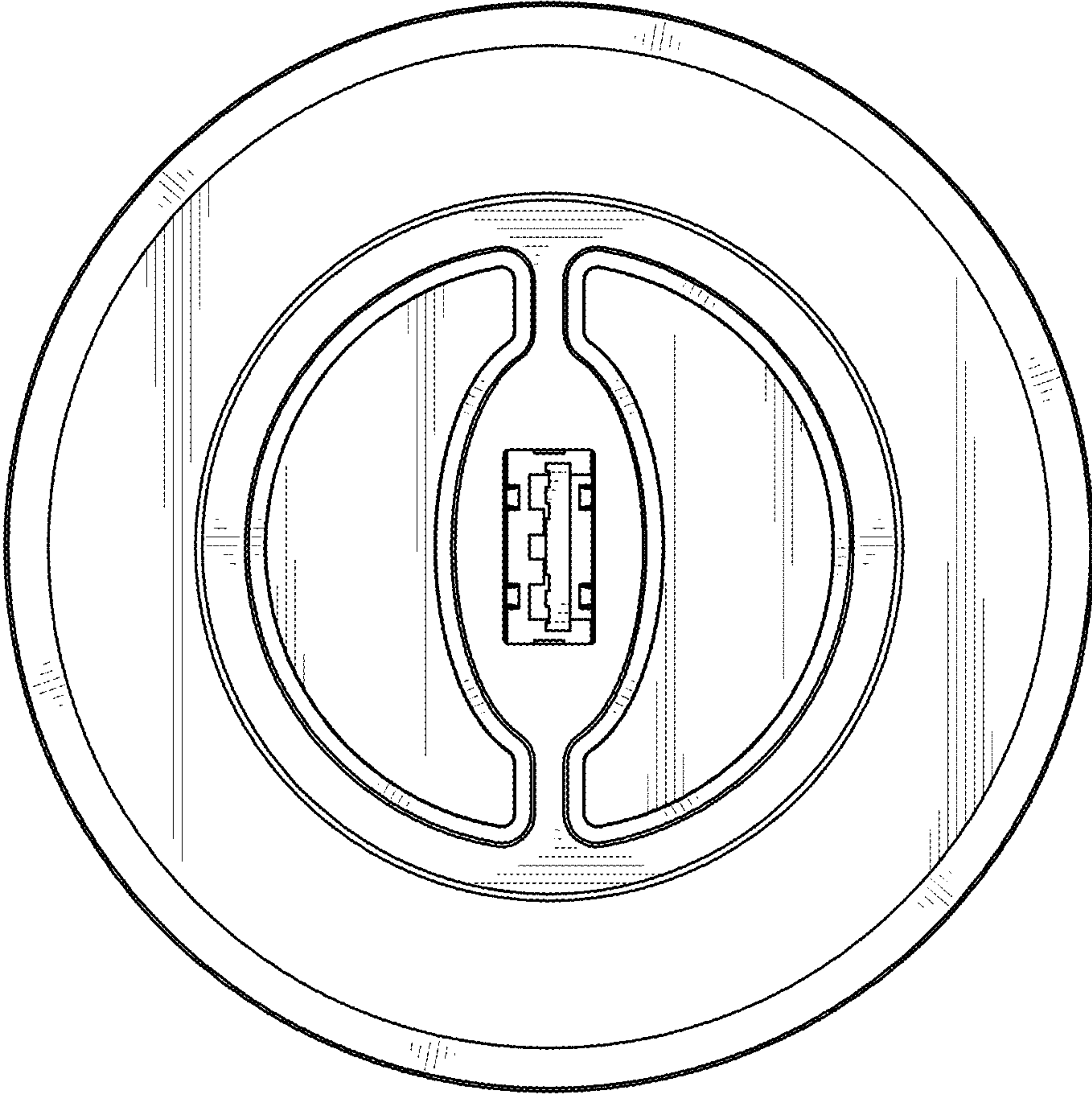


FIG. 19

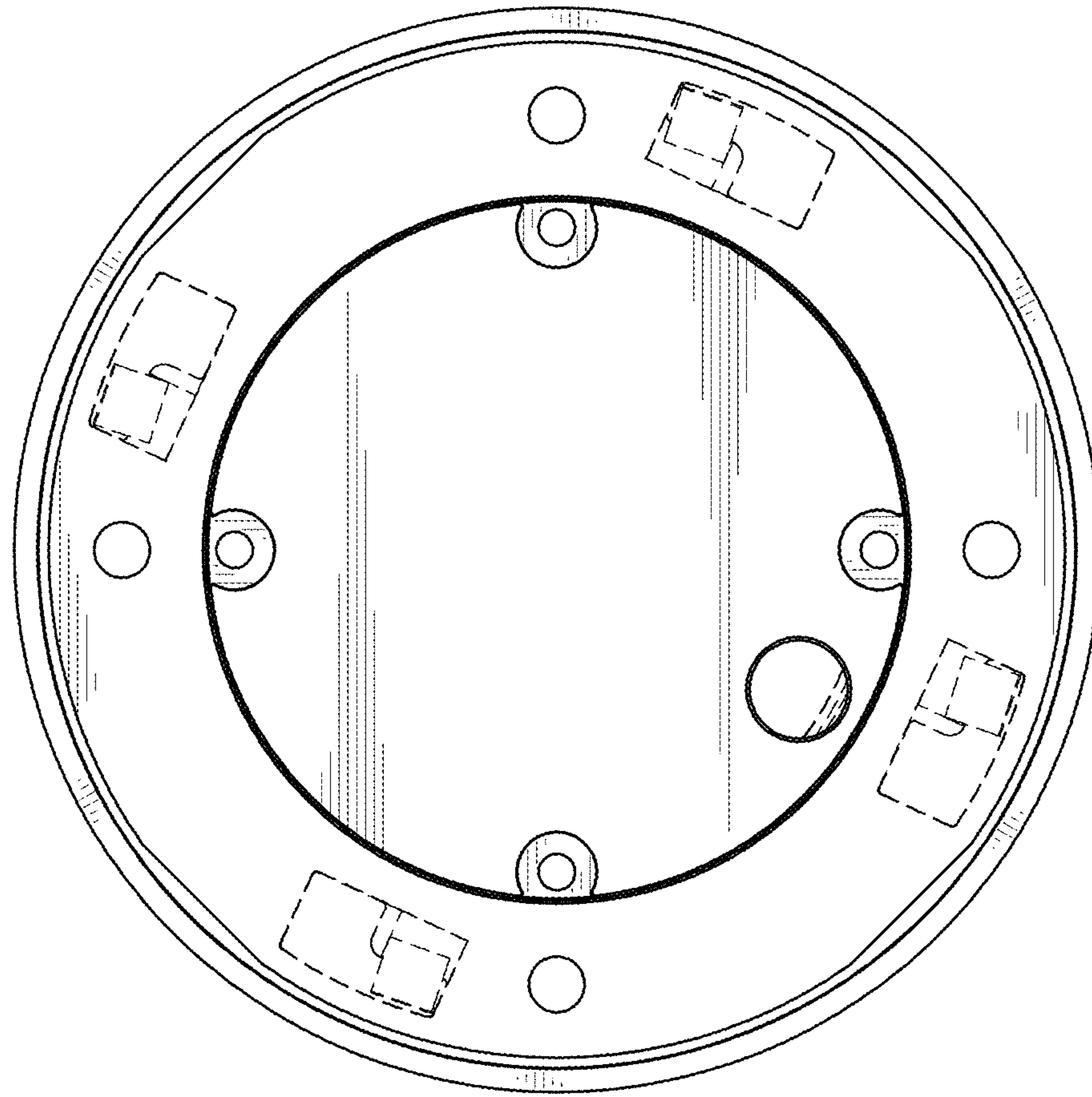


FIG. 20

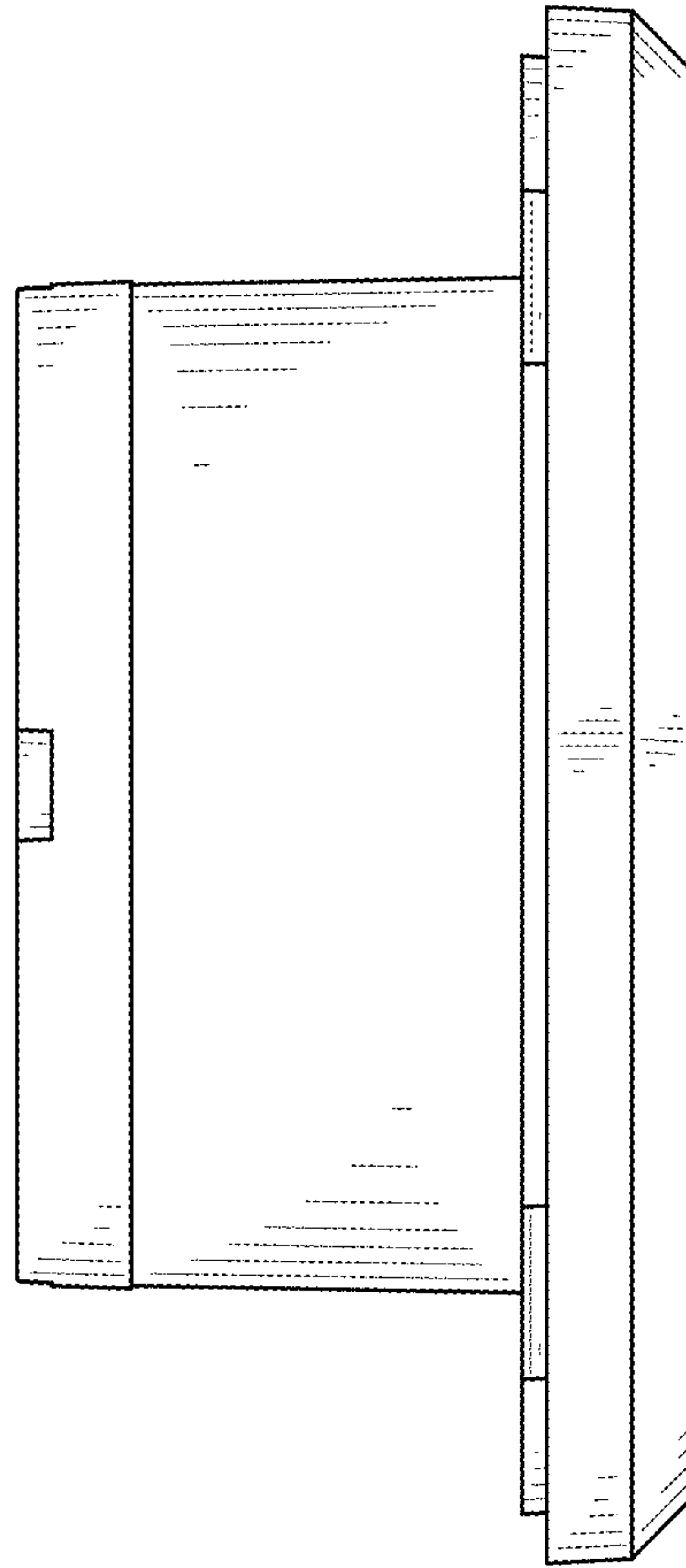


FIG. 21

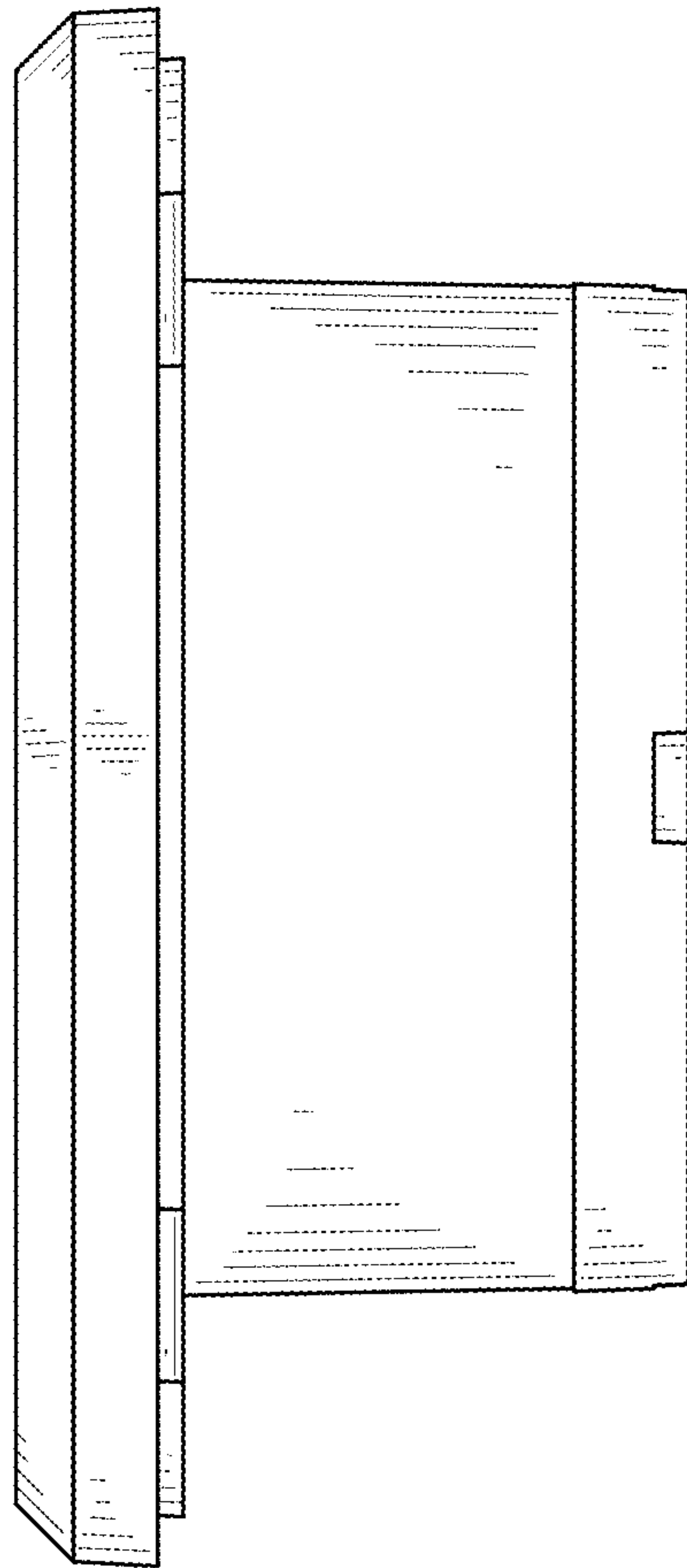


FIG. 22

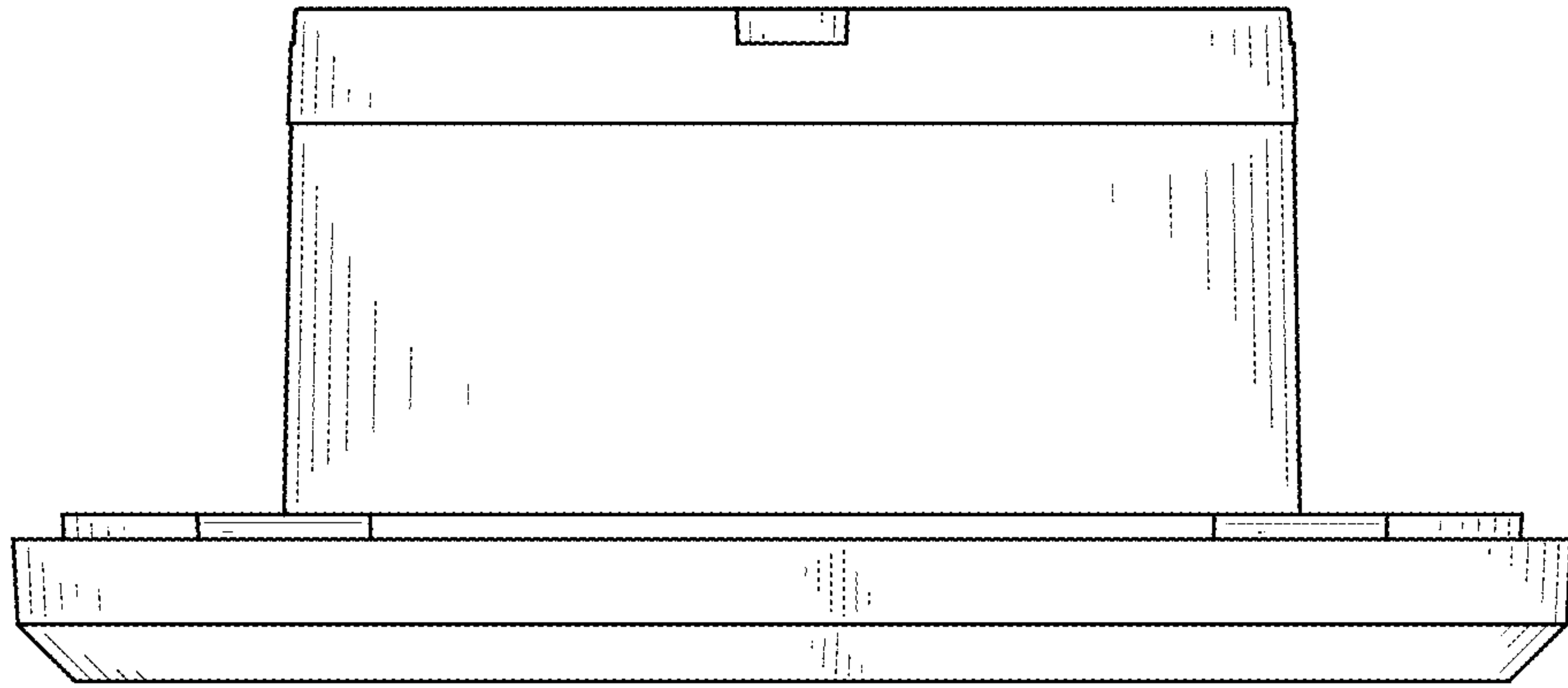


FIG. 23

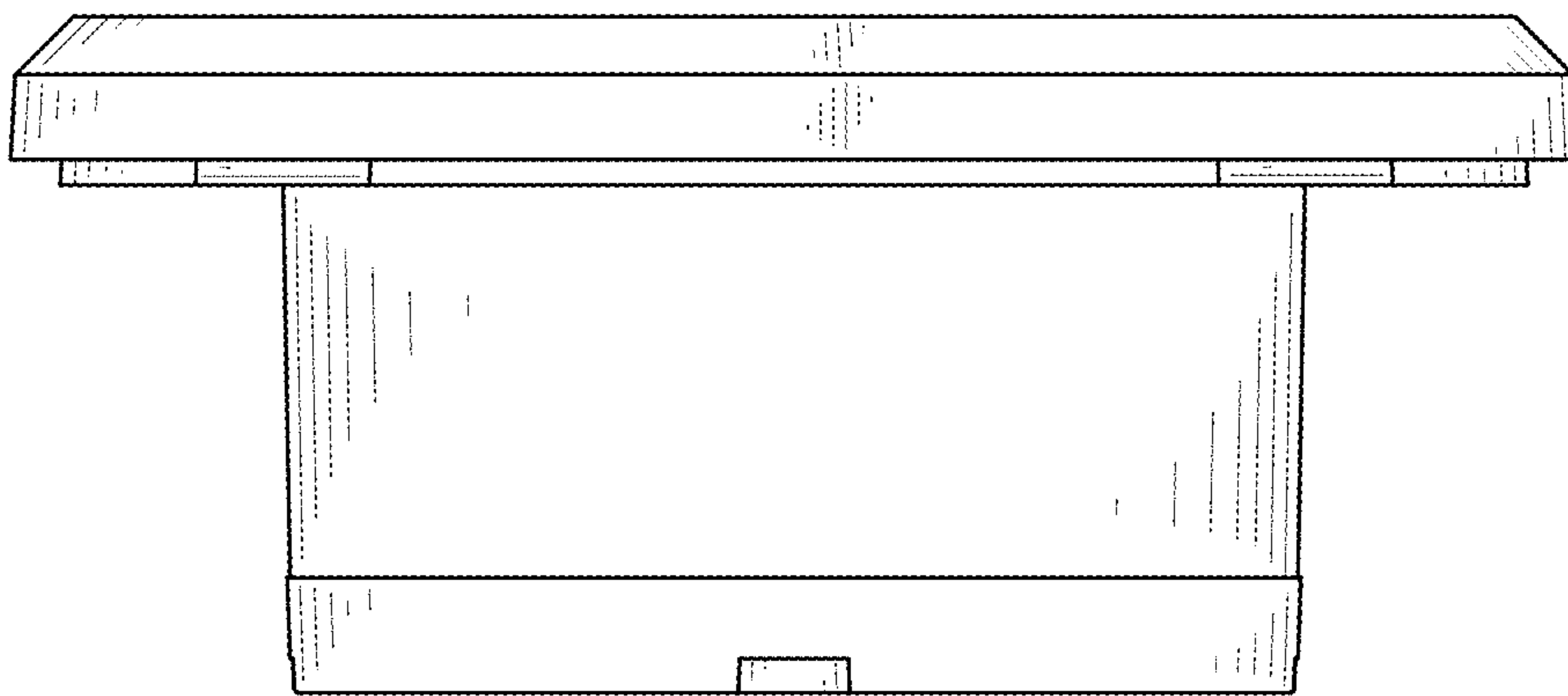


FIG. 24