

US00D782985S

(12) **United States Design Patent** (10) **Patent No.:** **US D782,985 S**
Mishan (45) **Date of Patent:** **** Apr. 4, 2017**

- (54) **HEAT PAD CONTROLLER**
 - (71) Applicant: **E. Mishan & Sons, Inc.**, New York, NY (US)
 - (72) Inventor: **Steven Mishan**, New York, NY (US)
 - (73) Assignee: **E. Mishan & Sons, Inc.**, New York, NY (US)
 - (**) Term: **15 Years**
 - (21) Appl. No.: **29/562,344**
 - (22) Filed: **Apr. 25, 2016**
- | | | |
|--------------|---------|-----------------------|
| 6,255,613 B1 | 7/2001 | Yang |
| D480,370 S | 10/2003 | Kosumsuppamala et al. |
| D481,364 S | 10/2003 | Kosumsuppamala et al. |
| D512,967 S | 12/2005 | Kosumsuppamala et al. |
| 7,019,262 B1 | 3/2006 | Lu |
| D530,680 S | 10/2006 | Fox et al. |
| D572,205 S | 7/2008 | Landerholm et al. |
| D581,371 S | 11/2008 | Richmond |
| D611,914 S | 3/2010 | Chiang et al. |
| D617,744 S | 6/2010 | Landerholm et al. |
| 7,820,925 B2 | 10/2010 | Kuo et al. |
| D633,447 S | 3/2011 | Schaal et al. |
| D659,106 S | 5/2012 | Paul |
| D670,660 S | 11/2012 | Cook |
| 8,350,170 B2 | 1/2013 | Smidt et al. |
| D729,748 S | 5/2015 | Cook |
| D760,668 S * | 7/2016 | Mishan D13/168 |

(Continued)

Related U.S. Application Data

- (62) Division of application No. 29/521,954, filed on Mar. 26, 2015, now Pat. No. Des. 760,668.
- (51) **LOC (10) Cl.** **14-03**
- (52) **U.S. Cl.**
USPC **D13/168**
- (58) **Field of Classification Search**
USPC D13/162, 164, 168; D14/218
CPC H03J 1/0025; H03J 9/00; H03J 9/02; H03J 9/04; H03J 9/06; H01H 9/0235; H01H 9/0228; H04B 1/202; G05B 11/01; G08C 17/00; G08C 17/02; G08C 23/04; H05B 1/00; H05B 1/0227; H05B 1/0272; H05B 3/342
See application file for complete search history.

Primary Examiner — Selina Sikder

(74) *Attorney, Agent, or Firm* — Notaro, Michalos & Zaccaria P.C.

(57) **CLAIM**

The ornamental design for a heat pad controller, as shown and described.

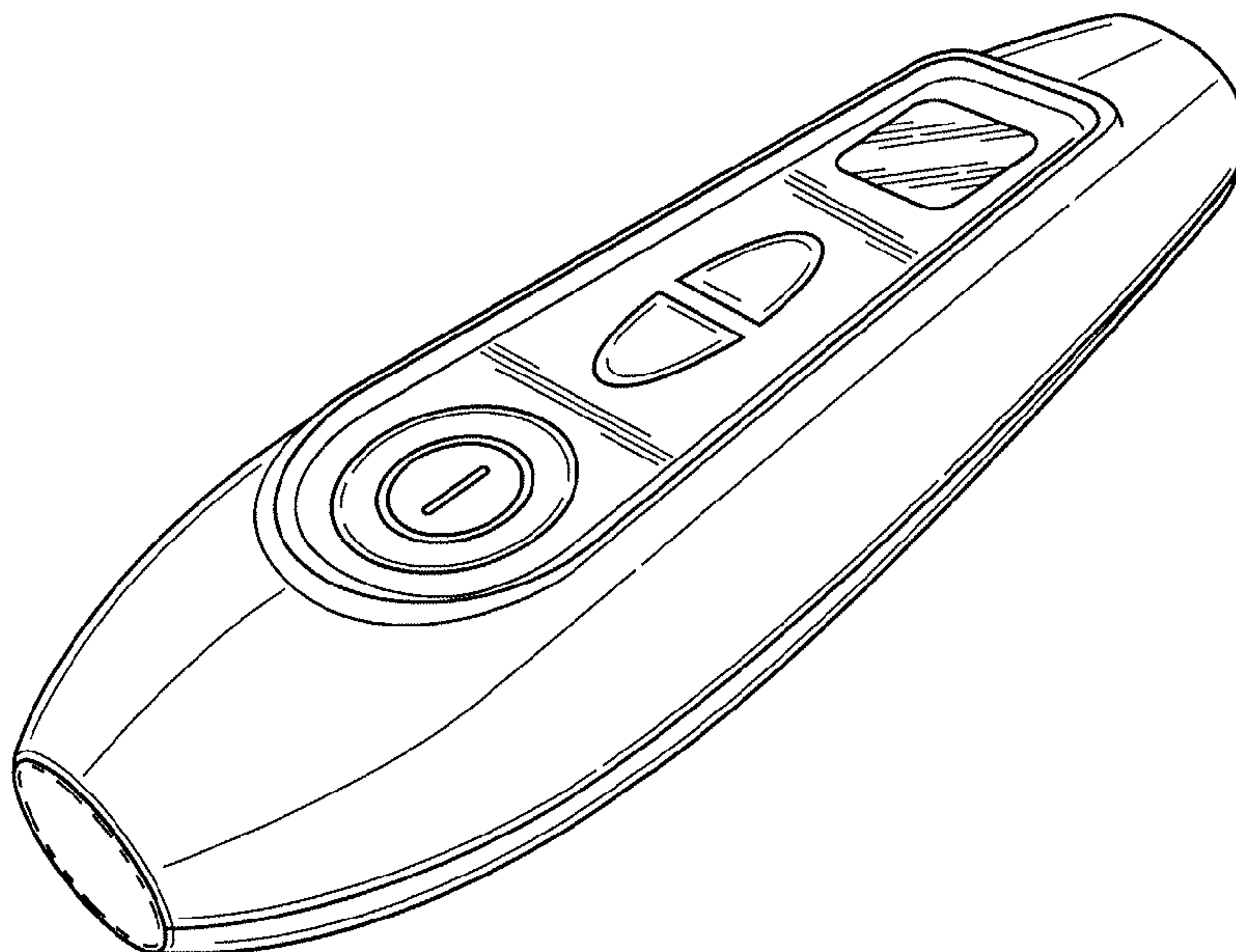
DESCRIPTION

FIG. 1 is a front, top right perspective view of a heat pad controller showing my new design therefor;
FIG. 2 is a bottom, rear left perspective view thereof;
FIG. 3 is a front elevational view thereof;
FIG. 4 is a rear elevational view thereof;
FIG. 5 is a left side elevational view thereof;
FIG. 6 is a right side elevational view thereof;
FIG. 7 is a top plan view thereof; and,
FIG. 8 is a bottom plain view thereof.
The broken lines show portions of the heat pad controller that form no part of the claimed design.

(56) **References Cited**
U.S. PATENT DOCUMENTS

- | | | |
|-------------|---------|----------------|
| D368,074 S | 3/1996 | Lee et al. |
| 6,005,210 A | 12/1999 | Chien |
| D429,221 S | 8/2000 | Picozza et al. |

1 Claim, 5 Drawing Sheets



(56)

References Cited

U.S. PATENT DOCUMENTS

2006/0213756 A1* 9/2006 Takachi G02B 6/3552
200/302.2
2007/0012675 A1* 1/2007 Devroy H05B 3/342
219/212
2007/0109761 A1* 5/2007 Huang H01H 9/0228
361/837
2010/0089898 A1* 4/2010 Lee H05B 1/0272
219/212
2012/0305375 A1* 12/2012 Kwok H01H 9/0228
200/293
2013/0075240 A1* 3/2013 Peng H01H 9/0228
200/302.2
2013/0270254 A1* 10/2013 Morgandi H05B 1/0272
219/494
2014/0319123 A1* 10/2014 Kohn G05D 23/1917
219/506
2016/0050716 A1* 2/2016 Peng A41D 13/0051
219/494

* cited by examiner

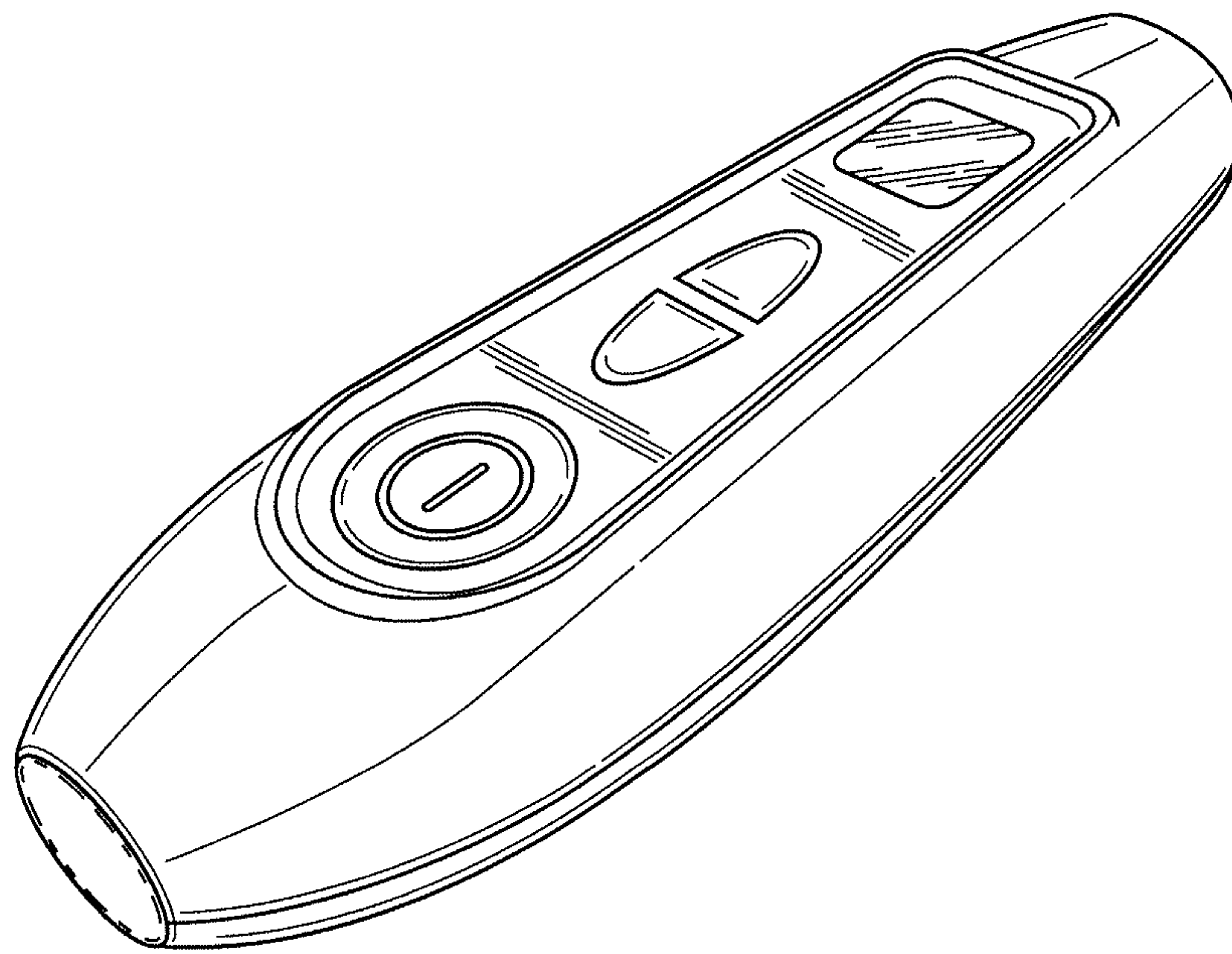


FIG. 1

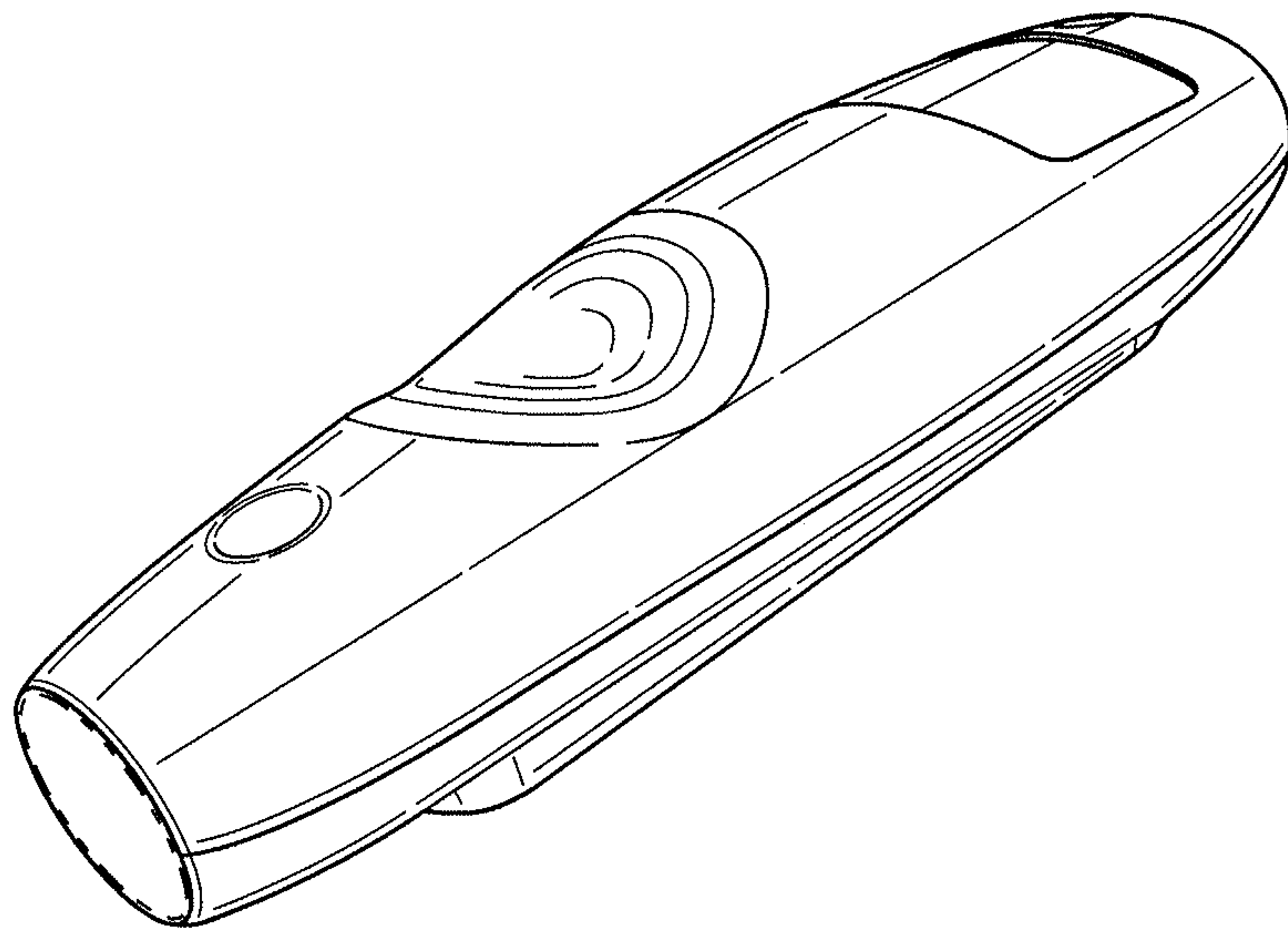


FIG. 2

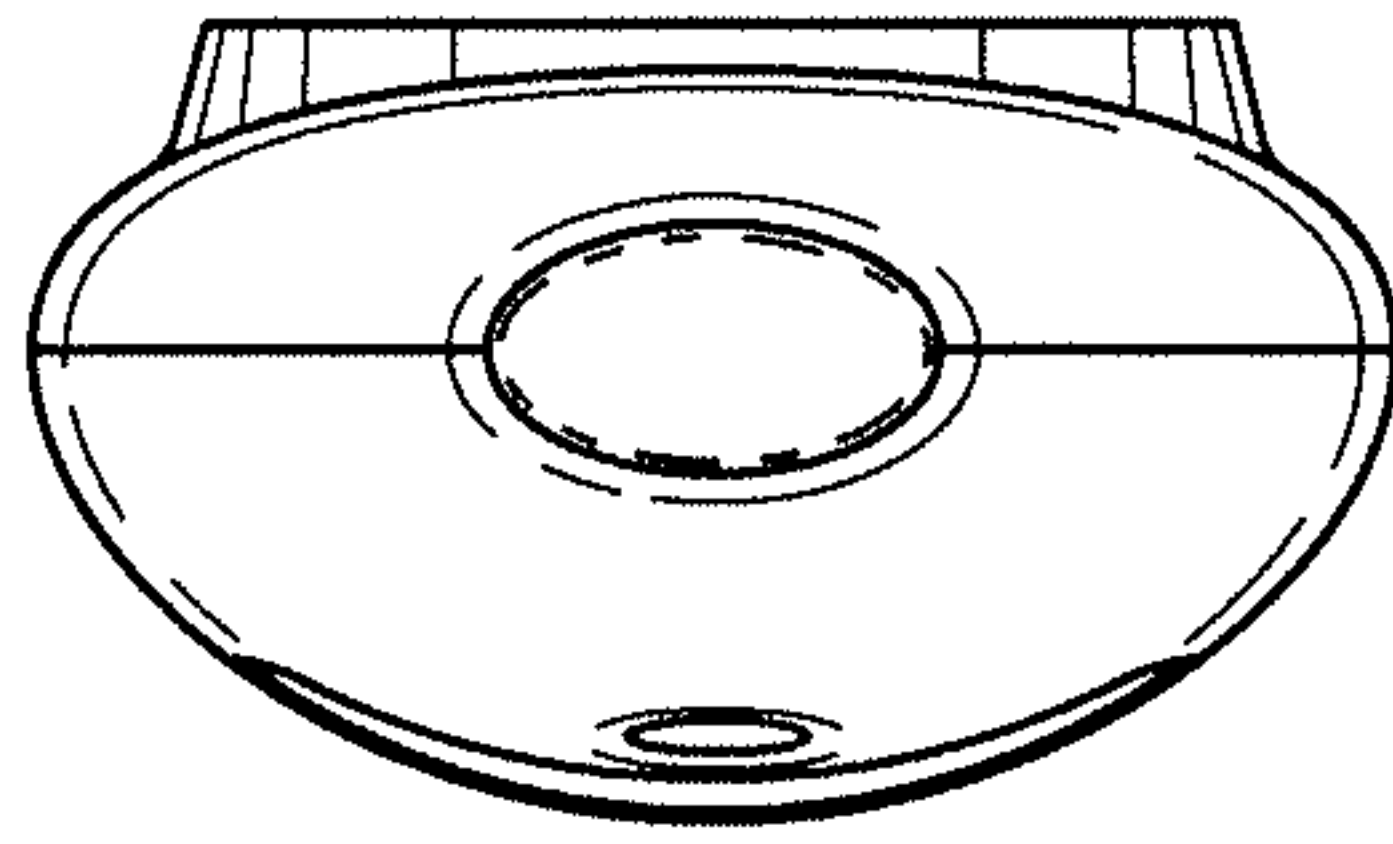


FIG. 3

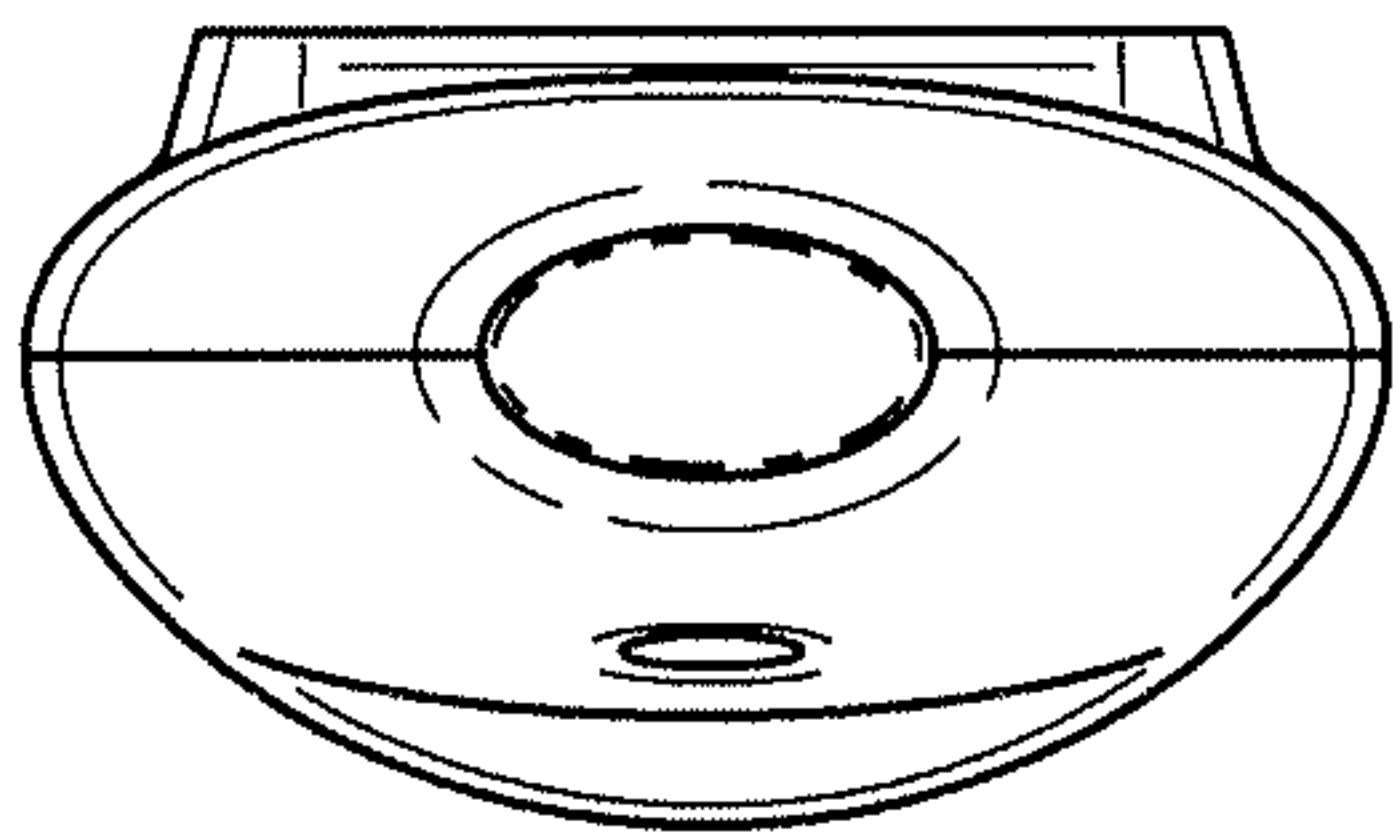


FIG. 4

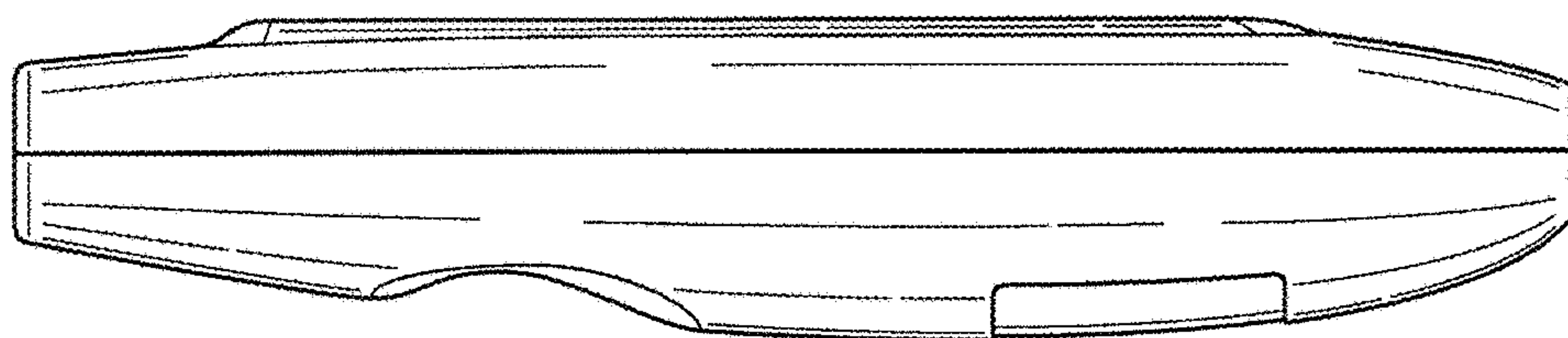


FIG. 5

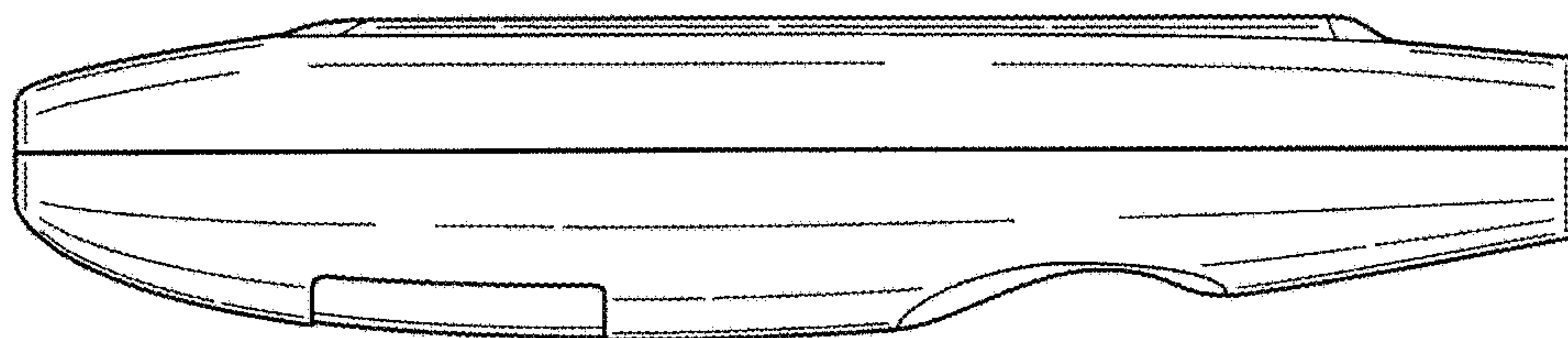


FIG. 6

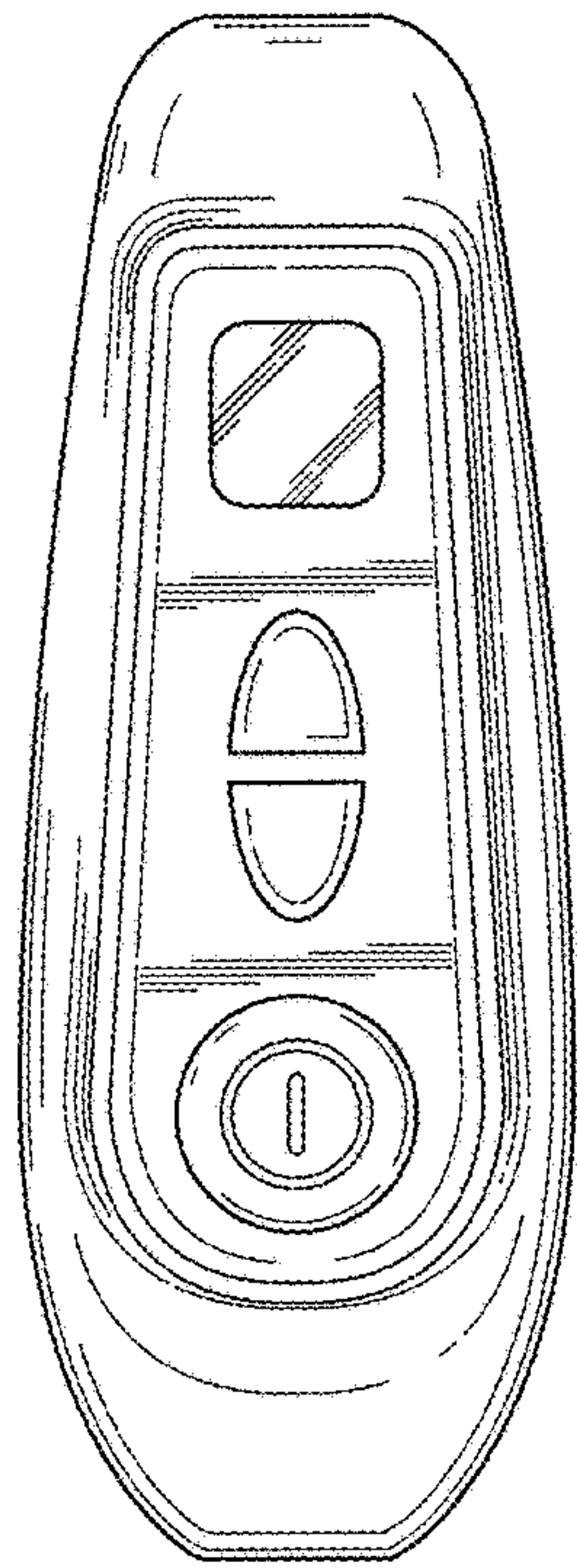


FIG. 7

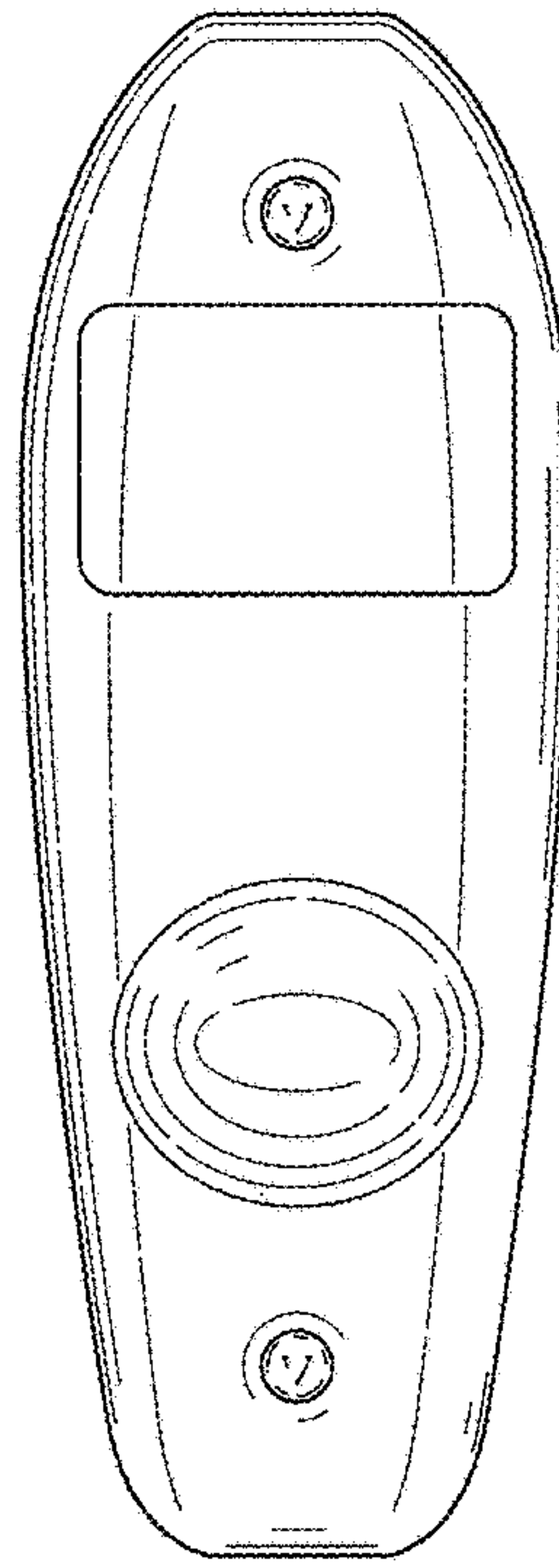


FIG. 8