



US00D782984S

(12) **United States Design Patent** (10) **Patent No.:** **US D782,984 S**
Dimmler et al. (45) **Date of Patent:** **** Apr. 4, 2017**

(54) **OPERATING UNIT WITH DISPLAY**

D428,880 S * 8/2000 Du D14/314
D432,995 S * 10/2000 Hubler D13/162
D451,917 S * 12/2001 Rahemtulla D14/337
D455,424 S * 4/2002 Sheth D14/320

(71) Applicant: **ENGEL AUSTRIA GmbH**,
Schwertberg (AT)

(Continued)

(72) Inventors: **Gerhard Dimmler**, Steinhaus (AT);
Hannes Fritz, Windhaag bei Perg (AT);
Friedrich Mairhofer, Naarn im
Machland (AT); **Josef Huber**,
Au/Donau (AT); **Johann Voggeneder**,
Mauthausen (AT)

OTHER PUBLICATIONS

CC 300—die neue Steuerung von Engel. engelglobal.com. (online)
5 pgs. Aug. 21, 2013. [retrieved on Sep. 29, 2016] <https://www.engelglobal.com/en/us/news-press/news-press-releases/detail/news/detail/News/cc300thenewengelcontrolunit.html> PDF URL:
https://www.engelglobal.com/uploads/tx_news/ENGEL_Pressemitteilung_CC_300_01.pdf.*

(Continued)

(73) Assignee: **ENGEL AUSTRIA GMBH**,
Schwertberg (AT)

Primary Examiner — Susan Bennett Hattan

Assistant Examiner — Marie Fast Horse

(**) Term: **14 Years**

(21) Appl. No.: **29/480,862**

(74) *Attorney, Agent, or Firm* — Wenderoth, Lind &
Ponack, L.L.P.

(22) Filed: **Jan. 30, 2014**

(30) **Foreign Application Priority Data**

Aug. 26, 2013 (EM) 2297085/0008

(51) **LOC (10) Cl.** **13-03**

(57) **CLAIM**

(52) **U.S. Cl.**
USPC **D13/162**

The ornamental design for an operating unit with display, as shown and described.

(58) **Field of Classification Search**
USPC D14/356, 388, 399, 400, 402, 408, 432,
D14/433, 439, 454, 299, 218, 496, 511,
D14/314, 320–322, 336, 337, 375;
D13/162, 164, 168, 184, 123, 158;
D10/49, 104.1, 106.1, 106.5, 106.95;
455/556.1, 566, 575.1, 575.3, 575.4;
348/706; D18/4.4, 4.5, 50; D15/135,
D15/136, 137, 138, 199
CPC B29C 45/77; G06F 3/04847; G05B 19/409
See application file for complete search history.

DESCRIPTION

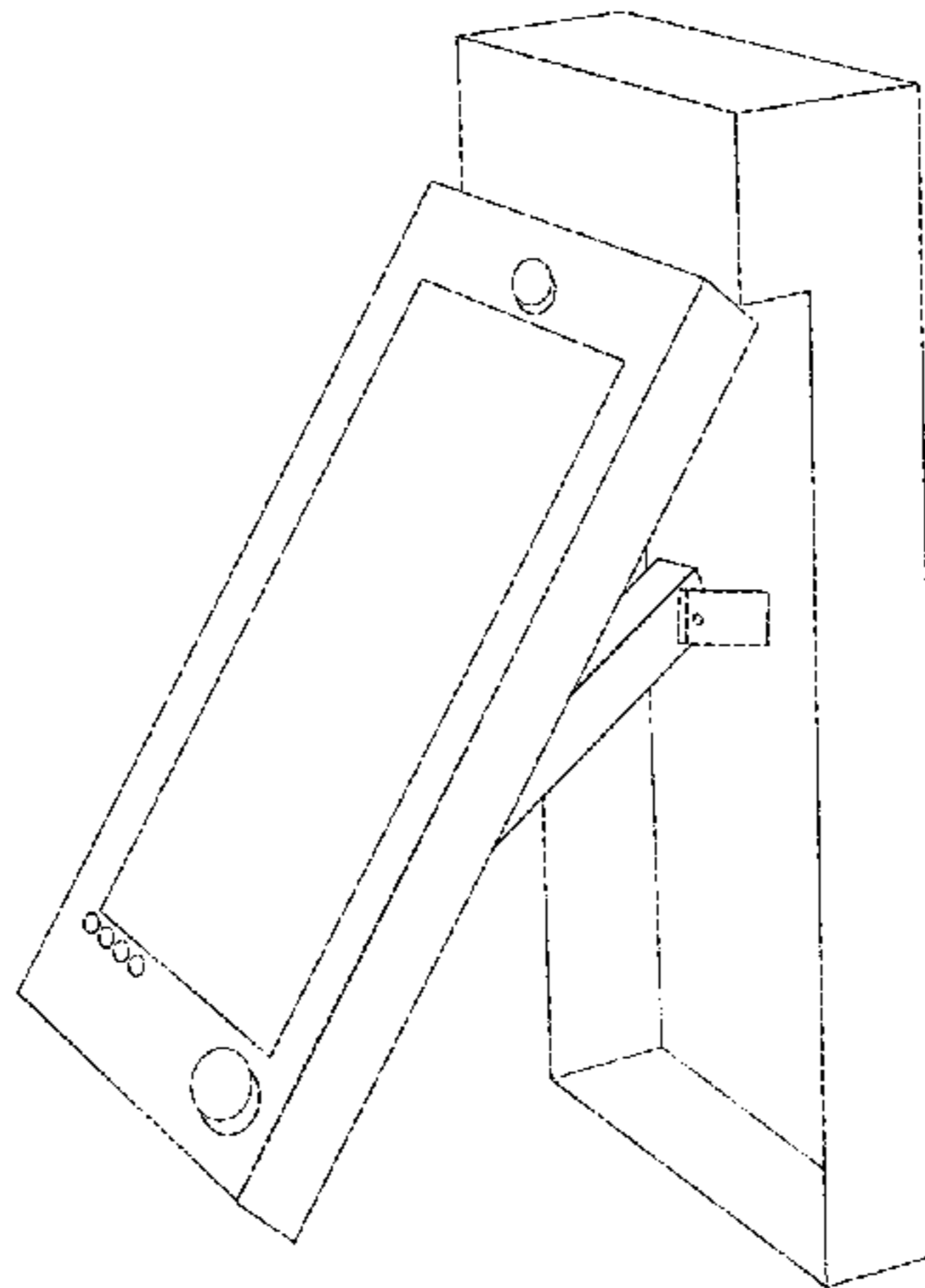
FIG. 1 is a perspective view of the operating unit with display;
FIG. 2 is a front view thereof;
FIG. 3 is a left view thereof;
FIG. 4 is a right view thereof;
FIG. 5 is a bottom view thereof;
FIG. 6 is a top view thereof; and,
FIG. 7 is a rear view thereof.
The broken lines in FIGS. 3 and 4 depict parts of the operating unit with display that form no part of the claim.

(56) **References Cited**

U.S. PATENT DOCUMENTS

D412,155 S * 7/1999 Gatchell D13/162
D428,863 S * 8/2000 Rahemtulla D14/337

1 Claim, 7 Drawing Sheets



(56)

References Cited

U.S. PATENT DOCUMENTS

6,411,271	B1 *	6/2002	Bang	F16M 11/10 248/920
D469,765	S *	2/2003	Lin	D14/322
D485,839	S *	1/2004	Wang	D14/375
D488,812	S *	4/2004	Chiu	D14/375
D489,067	S *	4/2004	Olson	D14/375
D494,176	S *	8/2004	Porter	D14/336
D527,760	S *	9/2006	Ono	D18/4.5
D558,262	S *	12/2007	Hong	D18/50
D563,908	S *	3/2008	Kohler, Jr.	D13/162
D570,345	S *	6/2008	Lee	D14/336
D579,797	S *	11/2008	Schmid	D10/49
D614,617	S *	4/2010	Pepper	D14/336
D619,133	S *	7/2010	Bucsa	D14/314
D658,591	S *	5/2012	Margolin	D13/162
D680,108	S *	4/2013	Kumagai	D14/336
D680,501	S *	4/2013	Elliott	D13/162
D695,234	S *	12/2013	Santiago	D13/162
D735,680	S *	8/2015	Harrison	D13/162
D739,829	S *	9/2015	Dimmler	D13/162
2016/0034093	A1 *	2/2016	Xie	G06F 3/0416 345/173

OTHER PUBLICATIONS

The Fakuma 2015 was a great success for ENGEL. engelglobal.com. (online) 7 pgs. Oct. 28, 2015. [retrieved on Sep. 29, 2016] <https://www.engelglobal.com/nl/nl/nieuws-en-pers/nieuws-en-persberichten/detail/news/detail/News/fakuma-2015-fuer-engel-ein-grosser-erfolg.html> PDF URL: https://www.engelglobal.com/uploads/tx_news/ENGEL_Press_release_Fakuma_2015_*

* cited by examiner

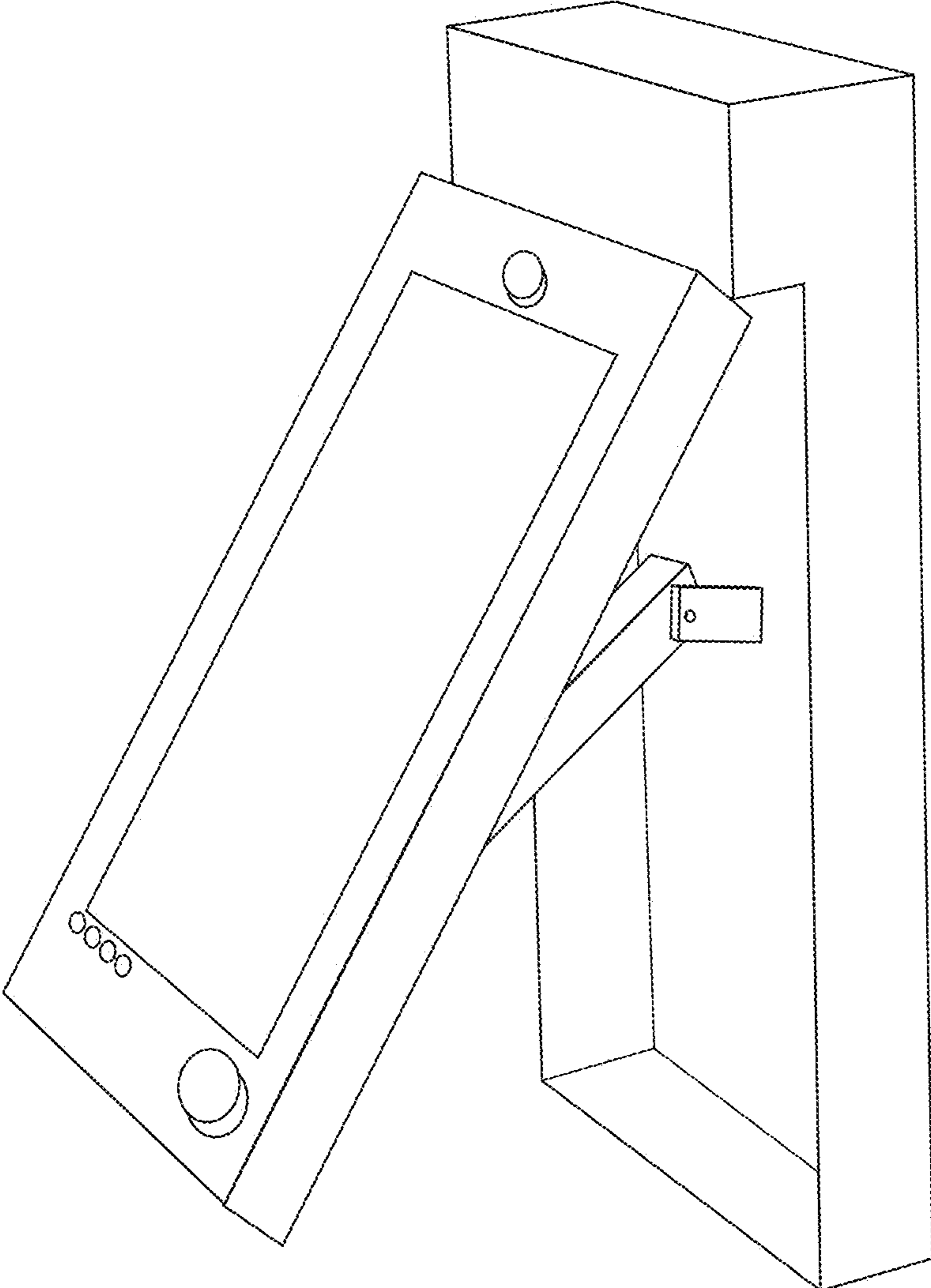


Fig. 1

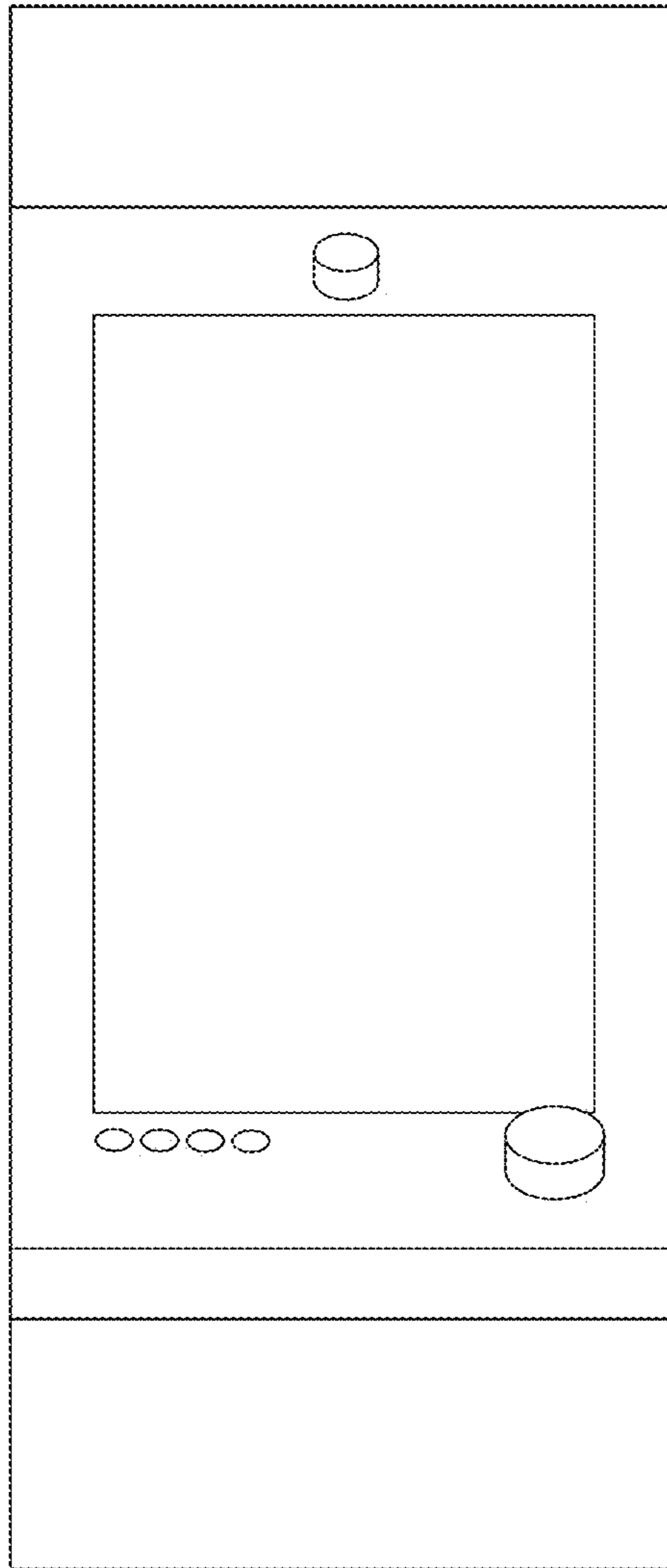


Fig. 2

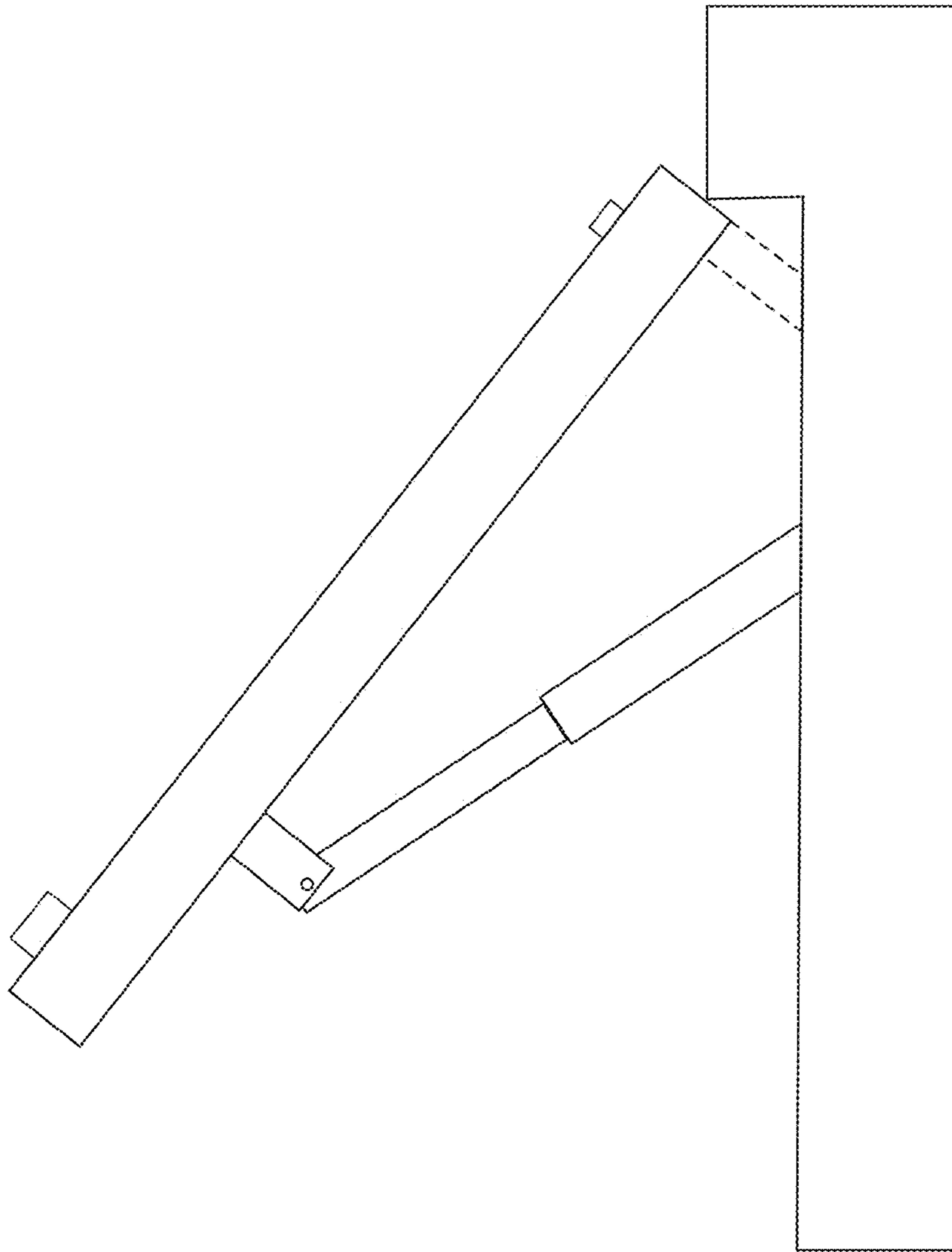


Fig. 3

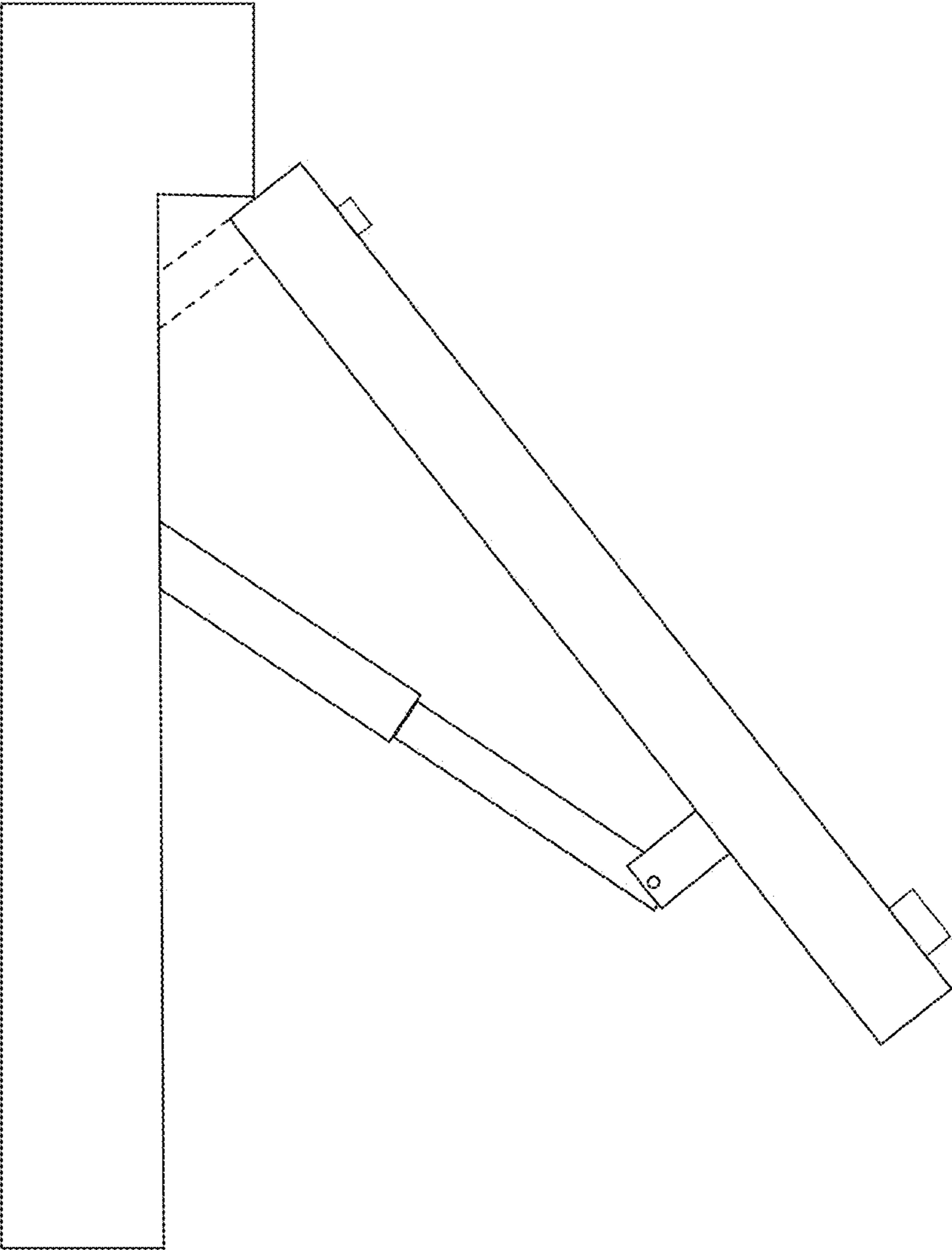


Fig. 4

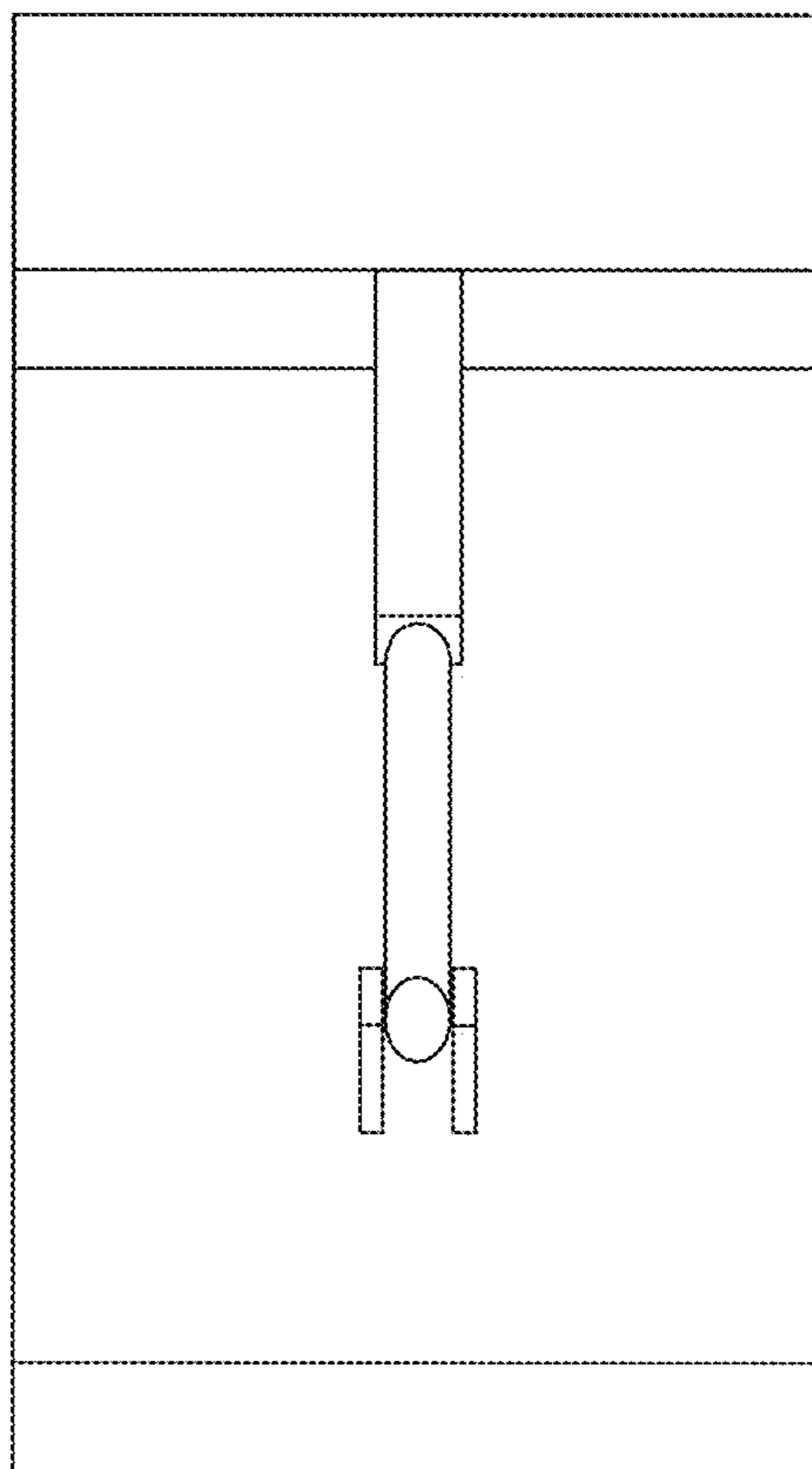


Fig. 5

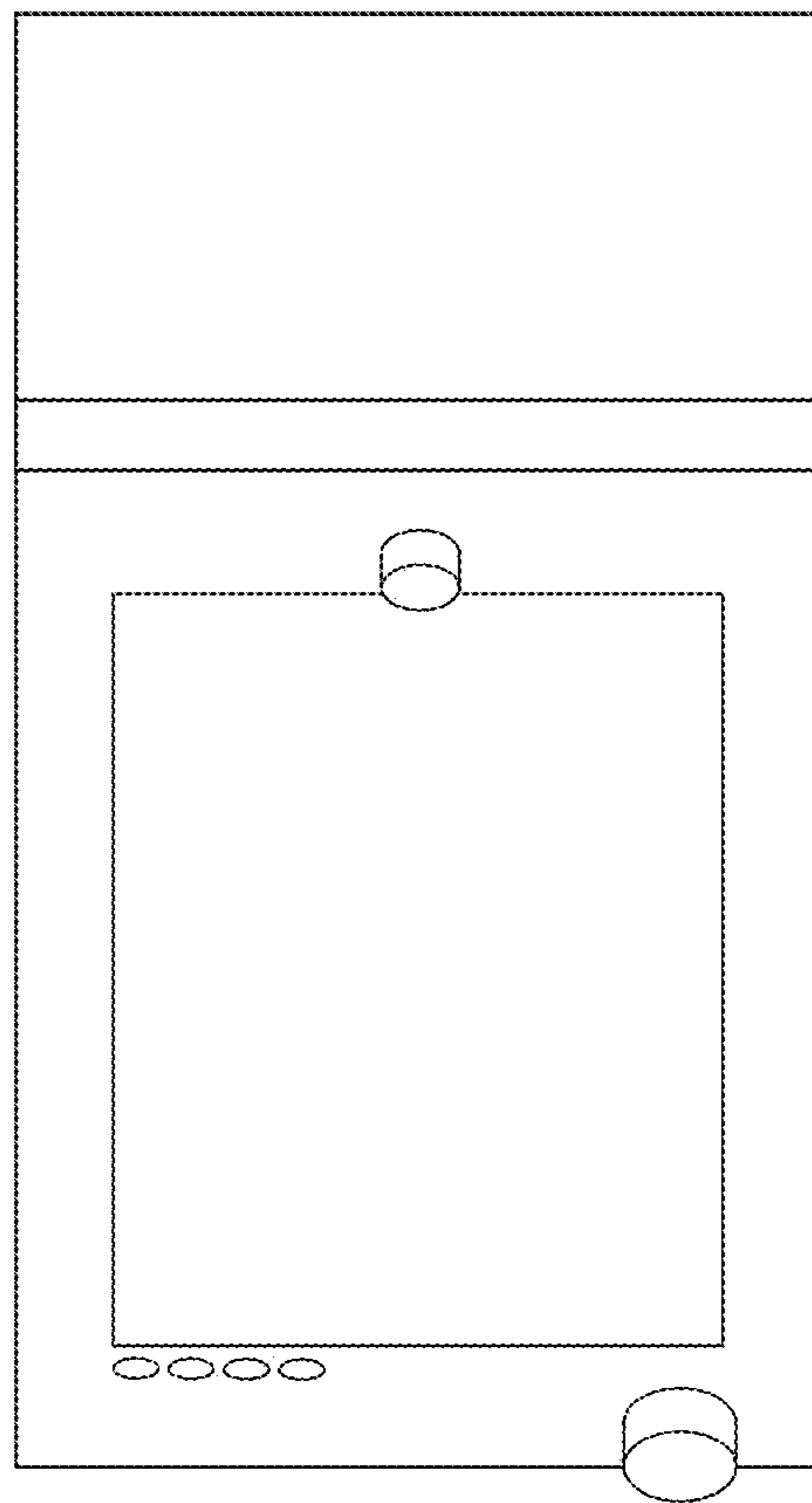


Fig. 6

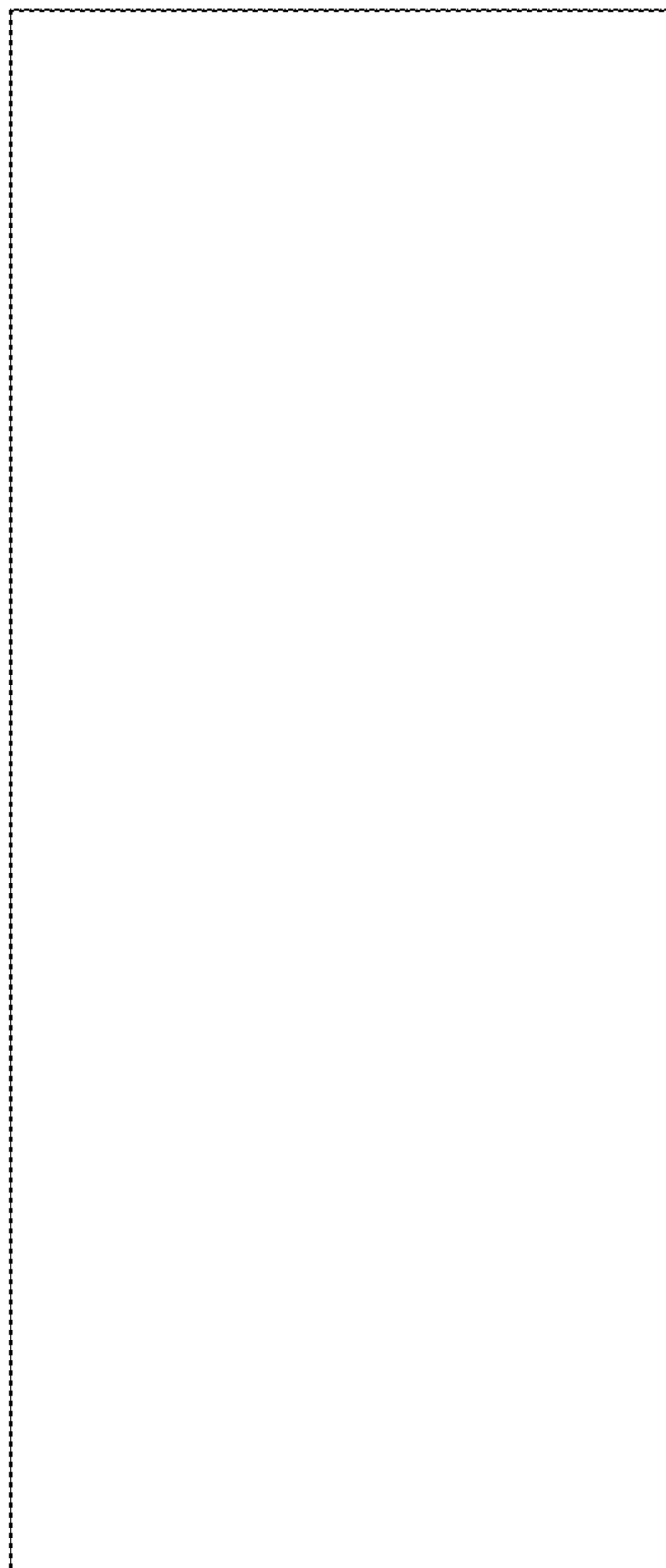


Fig. 7