



US00D782983S

(12) **United States Design Patent**  
**Rajala et al.**

(10) **Patent No.:** **US D782,983 S**

(45) **Date of Patent:** **\*\* \*Apr. 4, 2017**

(54) **SWITCH**

(71) Applicant: **ABB Oy**, Helsinki (FI)

(72) Inventors: **Juha-Matti Rajala**, Vaasa (FI); **Juha Soldan**, Vaasa (FI); **Oskari Uitto**, Vaasa (FI)

(73) Assignee: **ABB Oy**, Helsinki (FI)

(\*) Notice: This patent is subject to a terminal disclaimer.

(\*\*) Term: **14 Years**

(21) Appl. No.: **29/524,087**

(22) Filed: **Apr. 16, 2015**

(30) **Foreign Application Priority Data**

Oct. 16, 2014 (EM) ..... 002558247

(51) **LOC (10) Cl.** ..... **13-03**

(52) **U.S. Cl.**  
USPC ..... **D13/158**

(58) **Field of Classification Search**  
USPC ..... D13/110, 118, 123, 133, 149, 154,  
D13/159-161, 173, 184, 199  
CPC ..... H01H 19/00; H01H 19/02; H01H 1/20;  
H01H 1/06; H01H 1/00; H01H 9/00;  
H01H 3/00  
See application file for complete search history.

(56) **References Cited**

**U.S. PATENT DOCUMENTS**

5,493,083 A \* 2/1996 Olivier ..... H01H 71/56  
200/17 R  
D590,351 S \* 4/2009 Lifran ..... D13/160

D687,386 S \* 8/2013 Uitto ..... D13/158  
D697,873 S \* 1/2014 Uitto ..... D13/158  
D713,801 S \* 9/2014 Johansson ..... D13/123  
D714,733 S \* 10/2014 Johansson ..... D13/123  
D738,323 S \* 9/2015 Zheng ..... D13/158  
D738,324 S \* 9/2015 Zheng ..... D13/158  
D749,529 S \* 2/2016 Zheng ..... D13/158  
D749,530 S \* 2/2016 Zheng ..... D13/158  
2014/0090969 A1 \* 4/2014 Uitto ..... H01H 1/2041  
200/571  
2015/0287551 A1 \* 10/2015 Uitto ..... H01H 19/10  
200/243

\* cited by examiner

*Primary Examiner* — Thomas Johannes  
*Assistant Examiner* — Shawn T Gingrich  
(74) *Attorney, Agent, or Firm* — Taft Stettinius & Hollister LLP

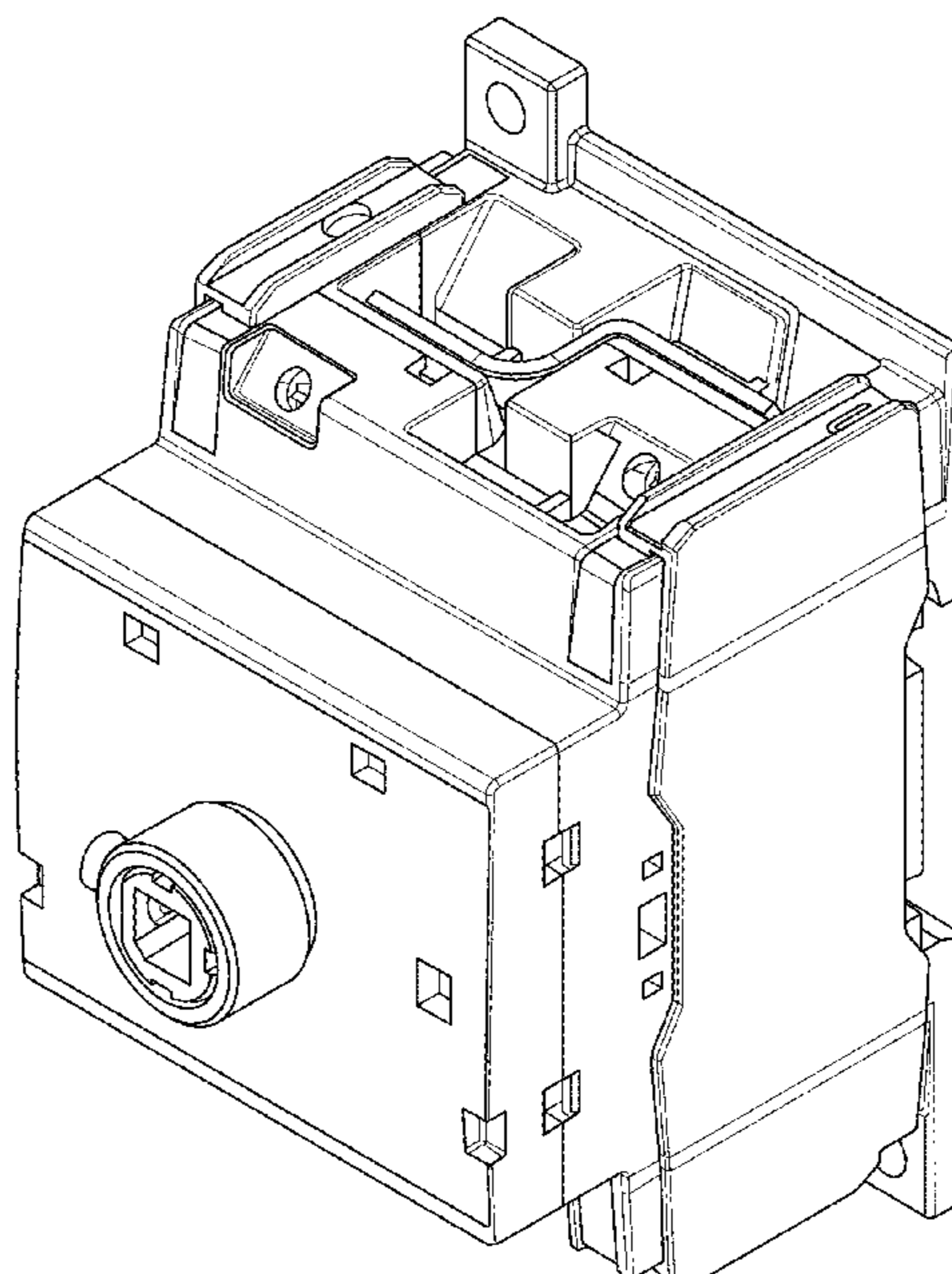
(57) **CLAIM**

The ornamental design for a switch, as shown and described.

**DESCRIPTION**

FIG. 1 is a perspective view of a switch showing our new design.  
FIG. 2 is a front elevational view thereof.  
FIG. 3 is a rear elevational view thereof.  
FIG. 4 is right side elevational view thereof.  
FIG. 5 is a left side elevational view thereof.  
FIG. 6 is a top plan view thereof; and,  
FIG. 7 is a bottom plan view thereof.  
The broken line portion of the figure drawings is included to show portions of the article that forms no part of the claimed design.

**1 Claim, 7 Drawing Sheets**



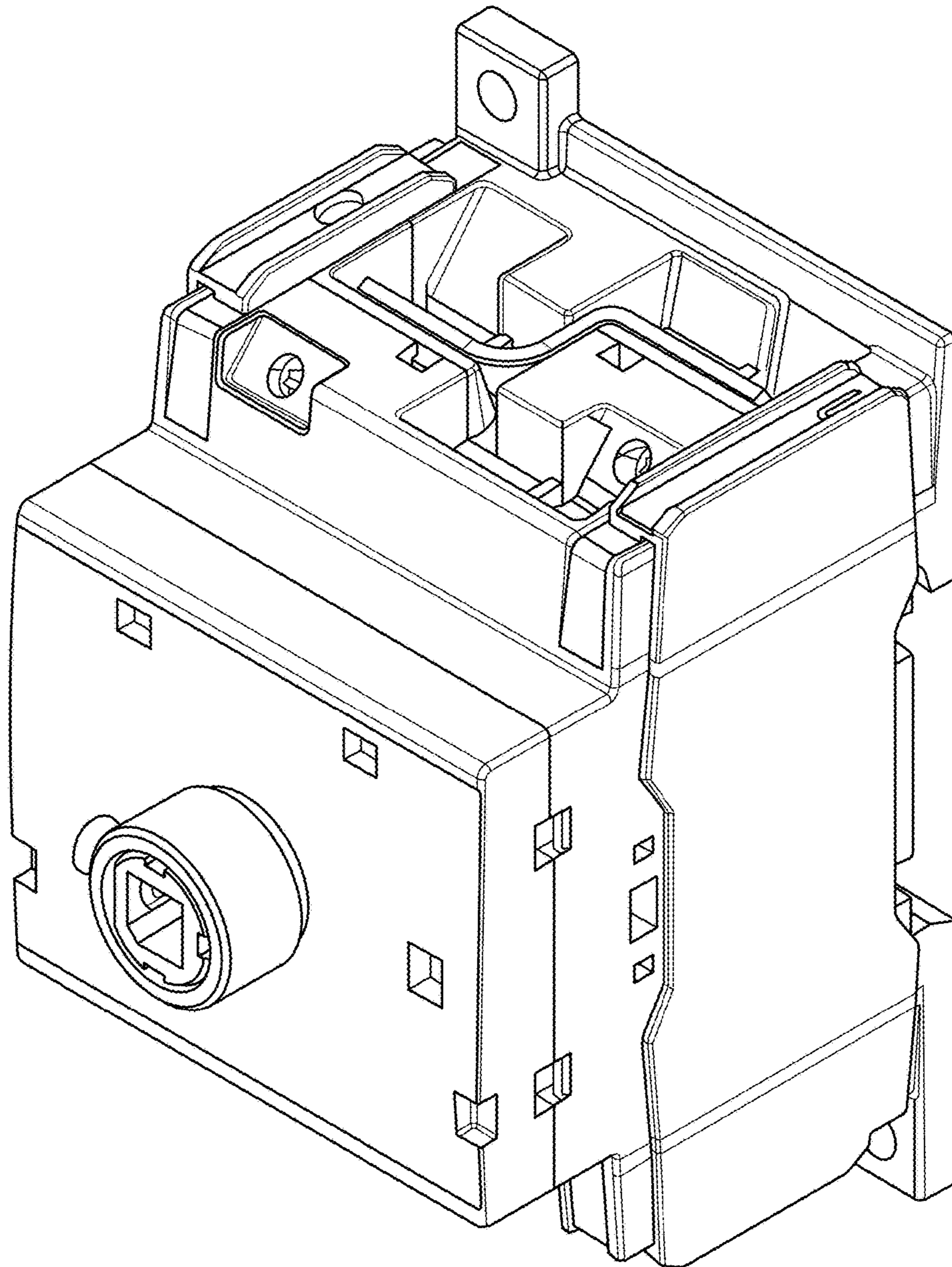


Fig. 1

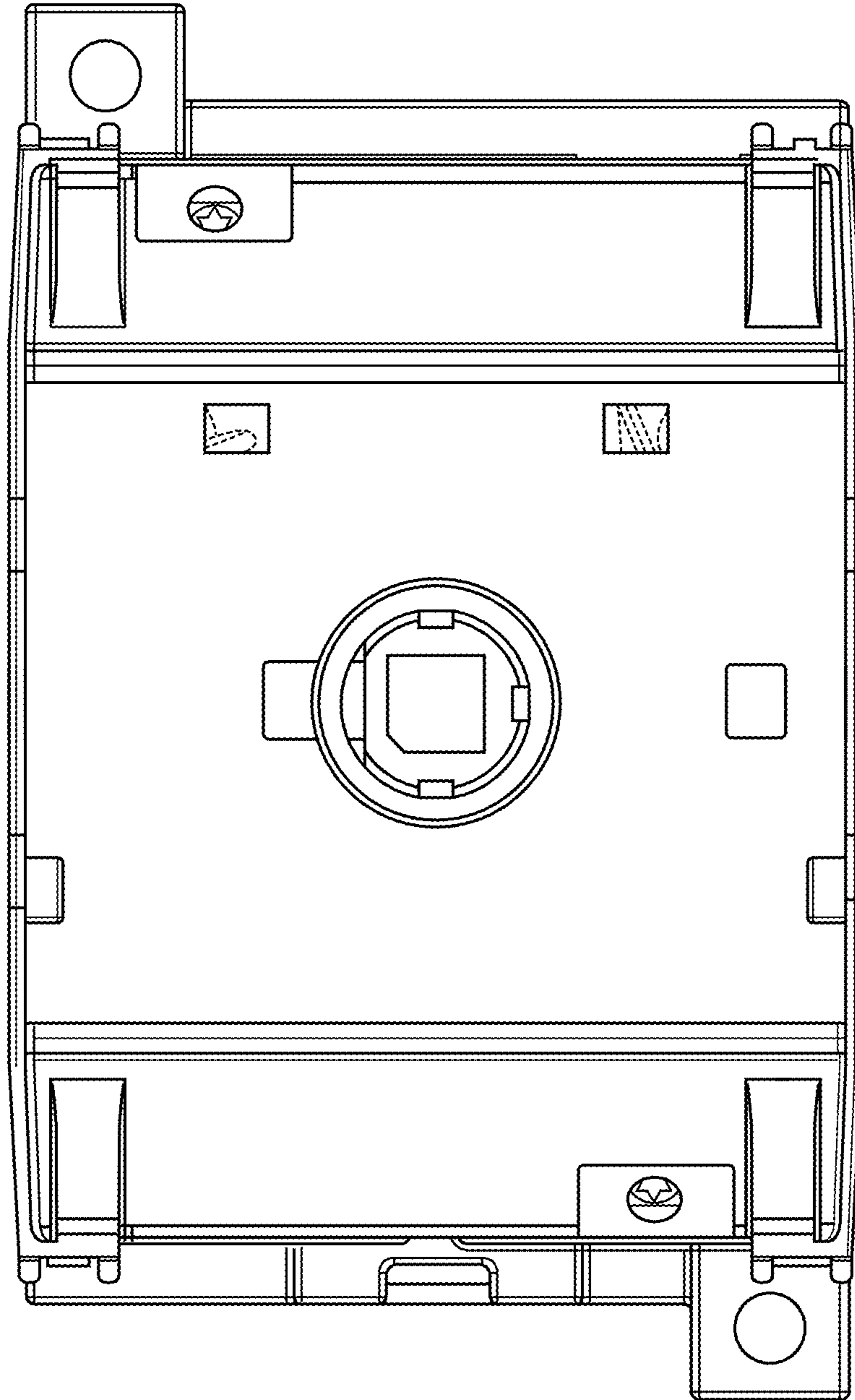


Fig.2

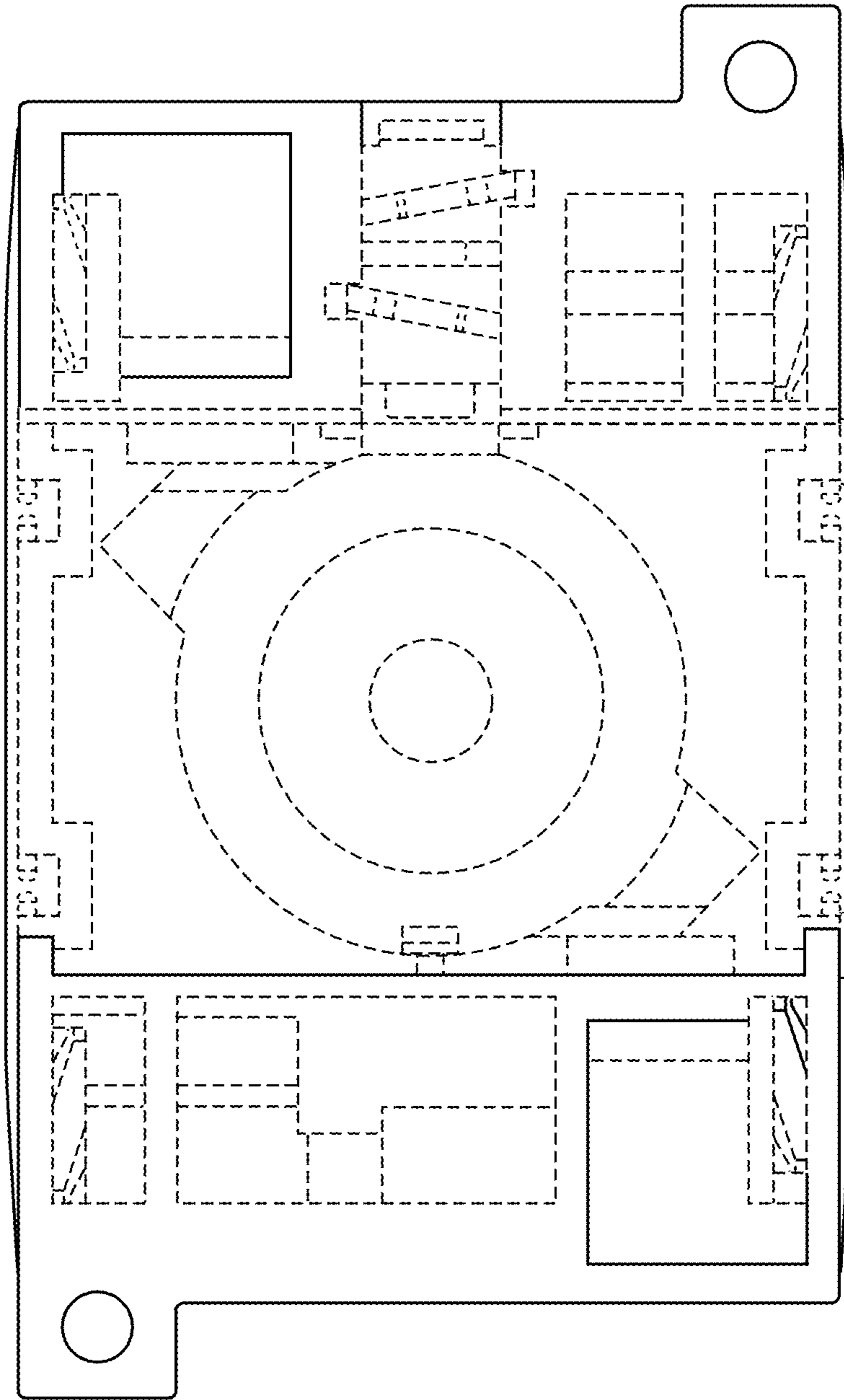


Fig.3

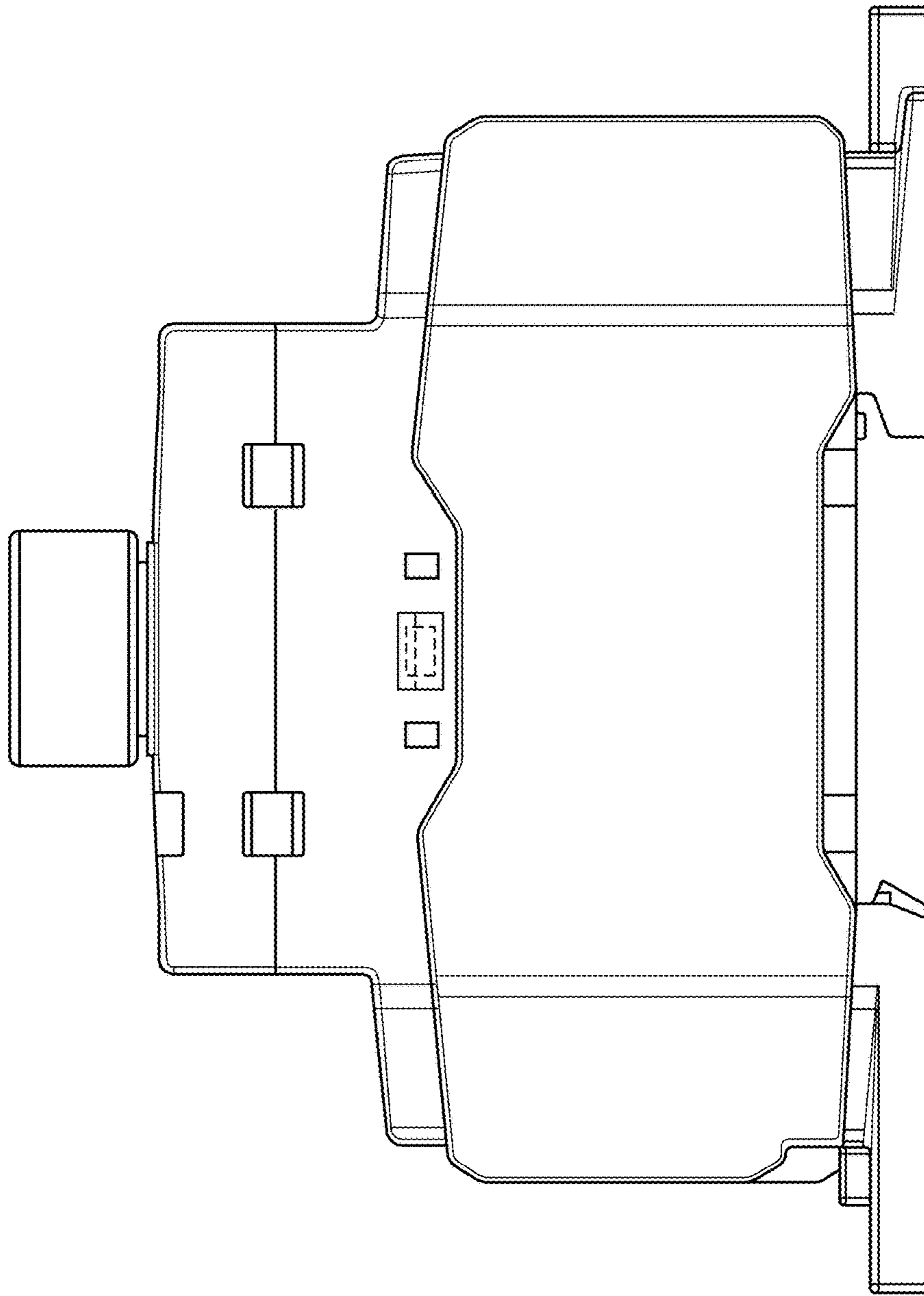


Fig.4

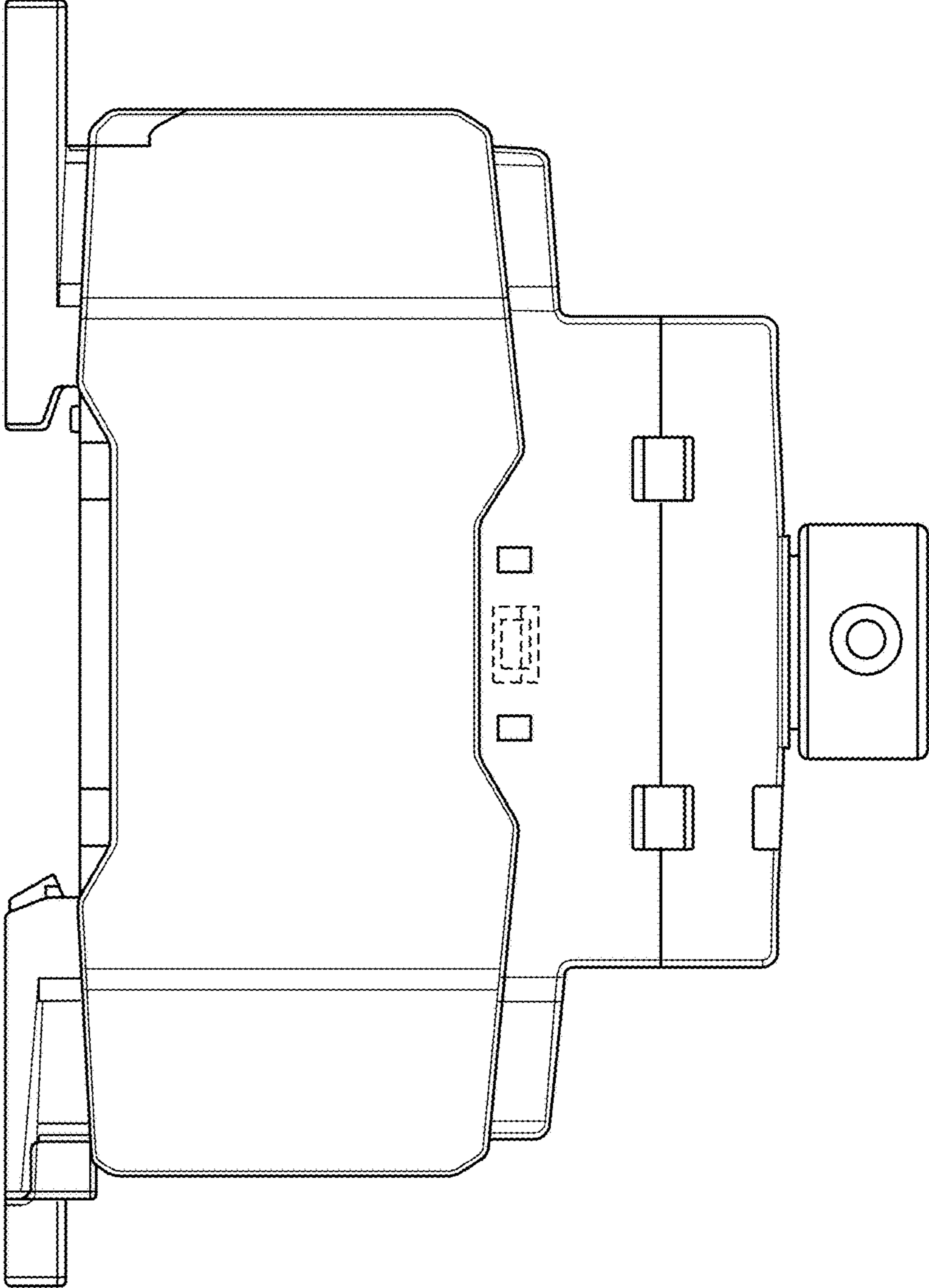


Fig.5

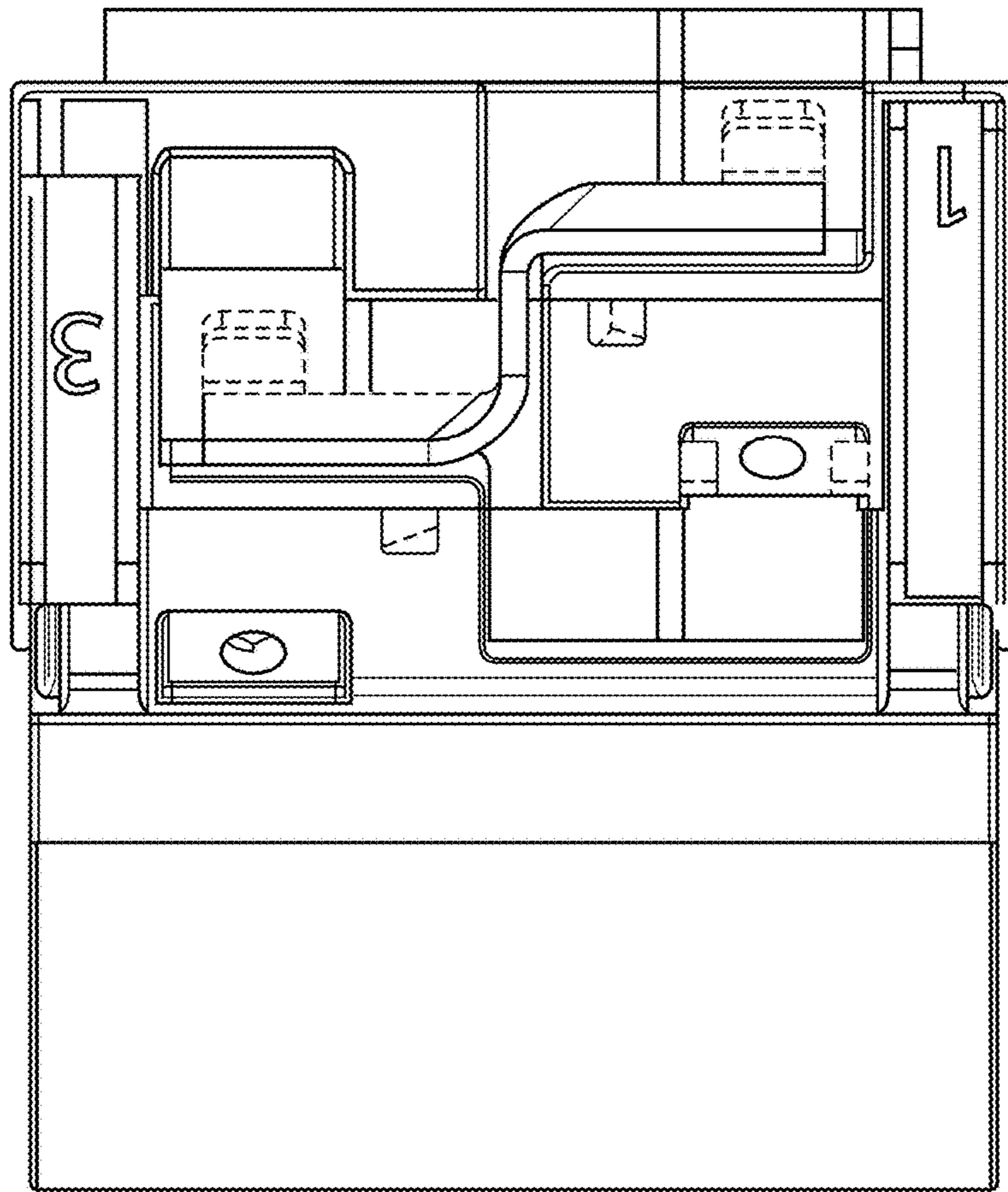


Fig.6

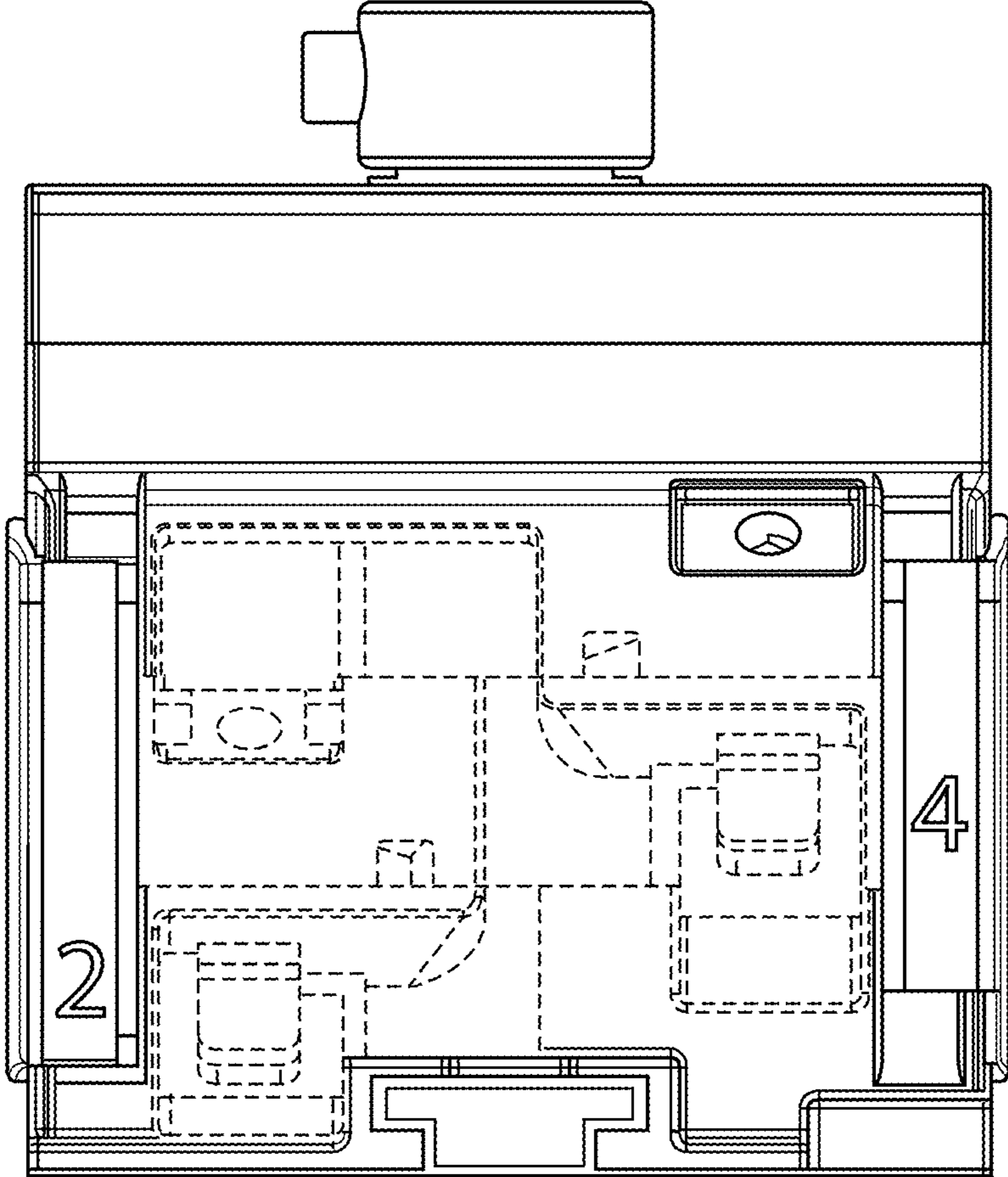


Fig.7