



US00D782982S

(12) **United States Design Patent**
Katagiyama et al.

(10) **Patent No.:** **US D782,982 S**
(45) **Date of Patent:** **** Apr. 4, 2017**

(54) **CAP FOR OPTICAL CONNECTOR**

(71) Applicant: **Japan Aviation Electronics Industry, Limited, Tokyo (JP)**

(72) Inventors: **Naoki Katagiyama, Tokyo (JP); Yuichi Koreeda, Tokyo (JP)**

(73) Assignee: **Japan Aviation Electronics Industry, Limited, Tokyo (JP)**

(**) Term: **14 Years**

(21) Appl. No.: **29/504,623**

(22) Filed: **Oct. 8, 2014**

(30) **Foreign Application Priority Data**

Apr. 24, 2014 (JP) 2014-008971
Jun. 17, 2014 (JP) 2014-013015

(51) **LOC (10) Cl.** **13-03**

(52) **U.S. Cl.**
USPC **D13/156**

(58) **Field of Classification Search**

USPC D13/101, 120, 121, 122, 133, 146, 154,
D13/156, 158, 160, 173, 178, 184, 199
CPC H01R 13/00; H01R 13/52; H01R 13/63;
H01R 13/424; H01R 13/436; H01R
43/22; G02B 6/3807; G02B 6/3831;
G02B 6/3846; G02B 6/3866; G02B 6/38;
G02B 6/42; H02G 3/04; H02G 3/14
See application file for complete search history.

(56) **References Cited**

U.S. PATENT DOCUMENTS

D244,027 S * 4/1977 Mooney D13/156
D251,491 S * 4/1979 Snyder, Jr. D13/146

D470,461 S * 2/2003 Liang D13/133
D672,318 S * 12/2012 Smith D13/156
D683,705 S * 6/2013 Katagiyama D13/154
8,873,921 B2 * 10/2014 Lee G02B 6/3825
385/134
D747,634 S * 1/2016 Katagiyama D8/14
D751,505 S * 3/2016 Katagiyama D13/133
2009/0305542 A1 * 12/2009 Masuzaki H01R 13/625
439/335
2014/0065872 A1 * 3/2014 Yamada H01R 13/6271
439/357

FOREIGN PATENT DOCUMENTS

JP 1237533 S 4/2005
JP 1279716 S 8/2006

* cited by examiner

Primary Examiner — Derrick Holland

(74) *Attorney, Agent, or Firm* — Cermak Nakajima & McGowan LLP; Tomoko Nakajima

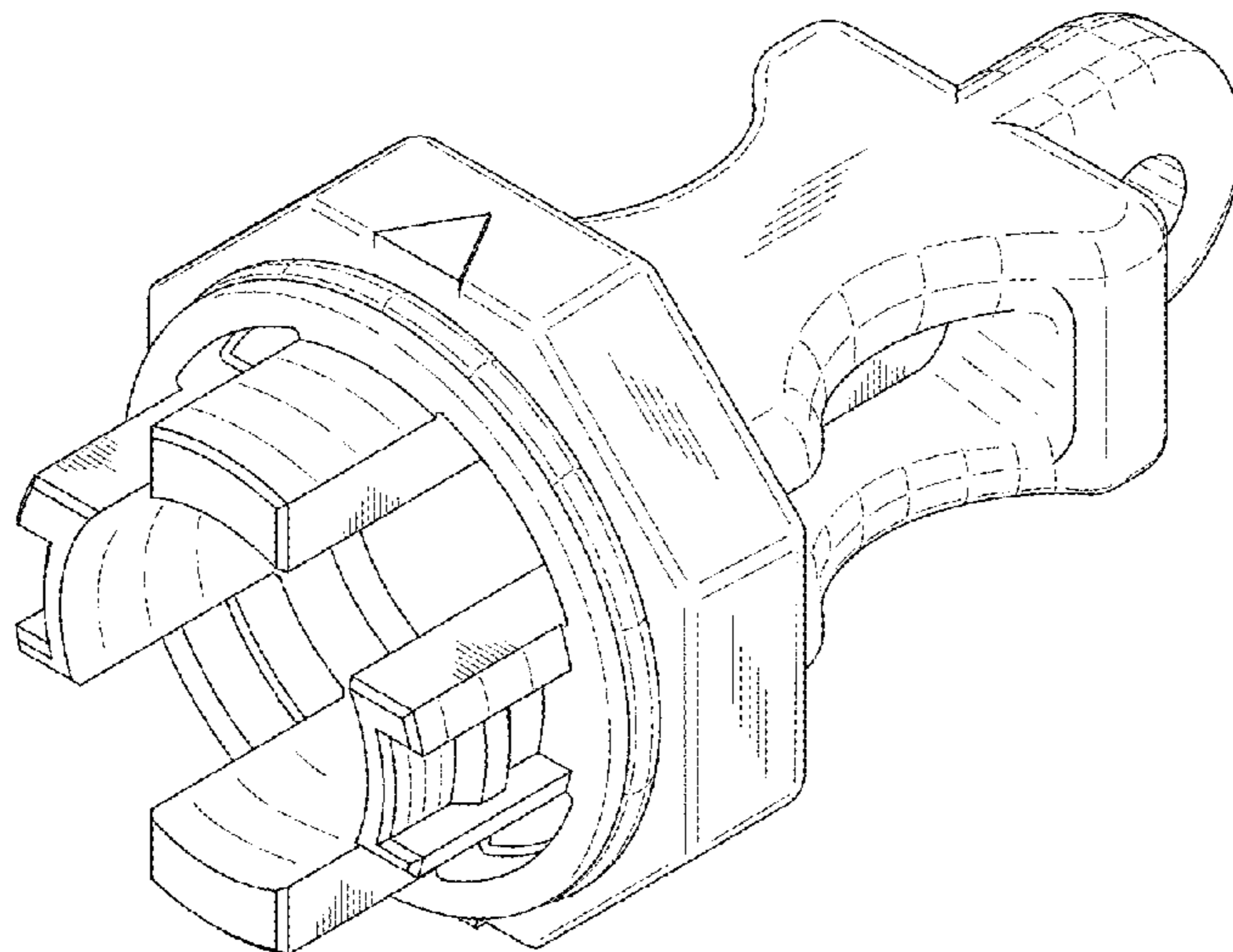
(57) **CLAIM**

The ornamental design for a cap for optical connector, as shown.

DESCRIPTION

FIG. 1 is a front elevational view of a cap for optical connector showing our new design;
FIG. 2 is a top plan view thereof;
FIG. 3 is a right side elevational view thereof;
FIG. 4 is a left side elevational view thereof;
FIG. 5 is a rear elevational view thereof; and
FIG. 6 is a bottom plan view thereof.
FIG. 7 is a front and top perspective view thereof;
FIG. 8 is a rear and top perspective view thereof;
FIG. 9 is a front and bottom perspective view thereof; and,
FIG. 10 is a rear and bottom perspective view thereof.

1 Claim, 10 Drawing Sheets



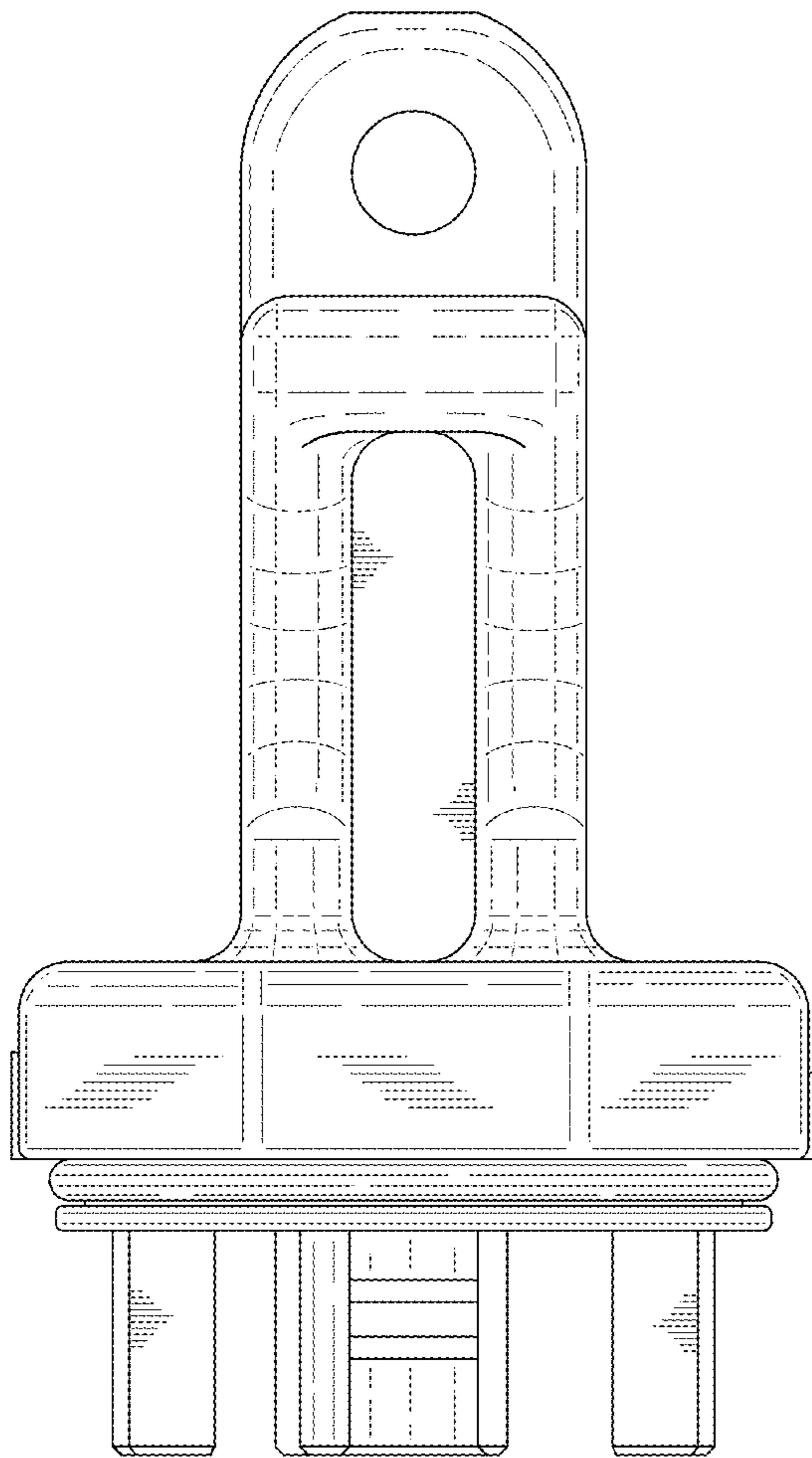


FIG.1

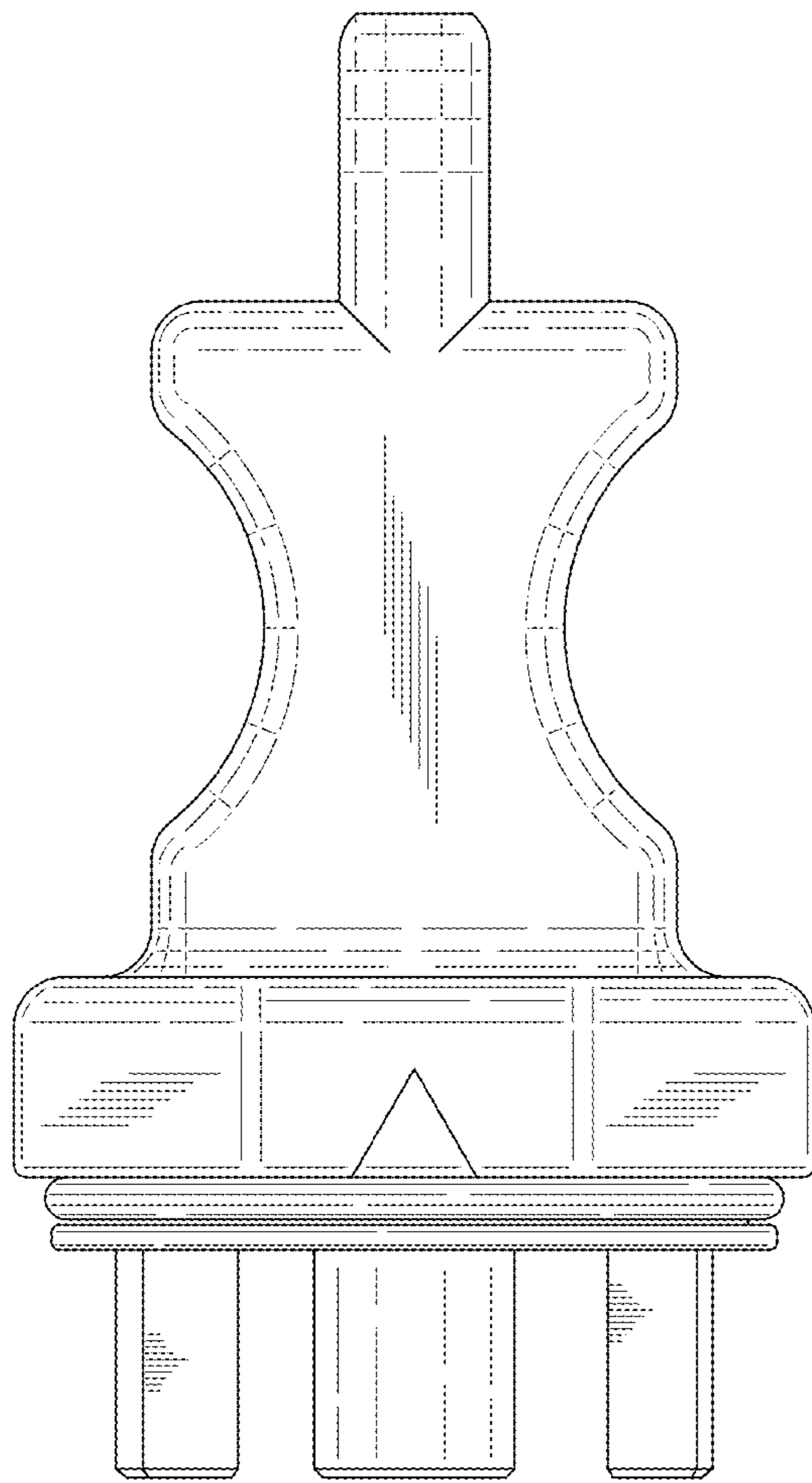


FIG. 2

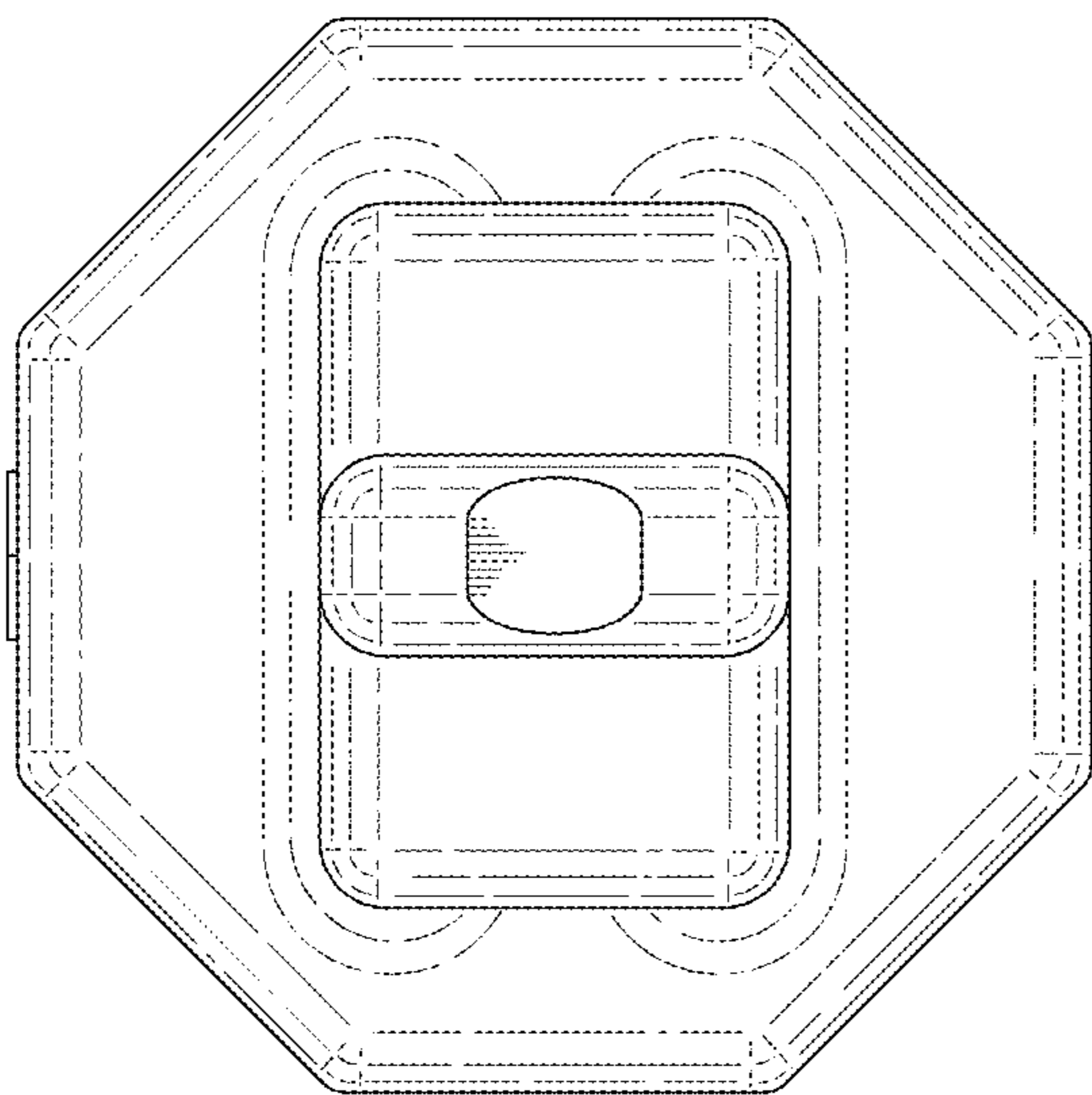


FIG.3

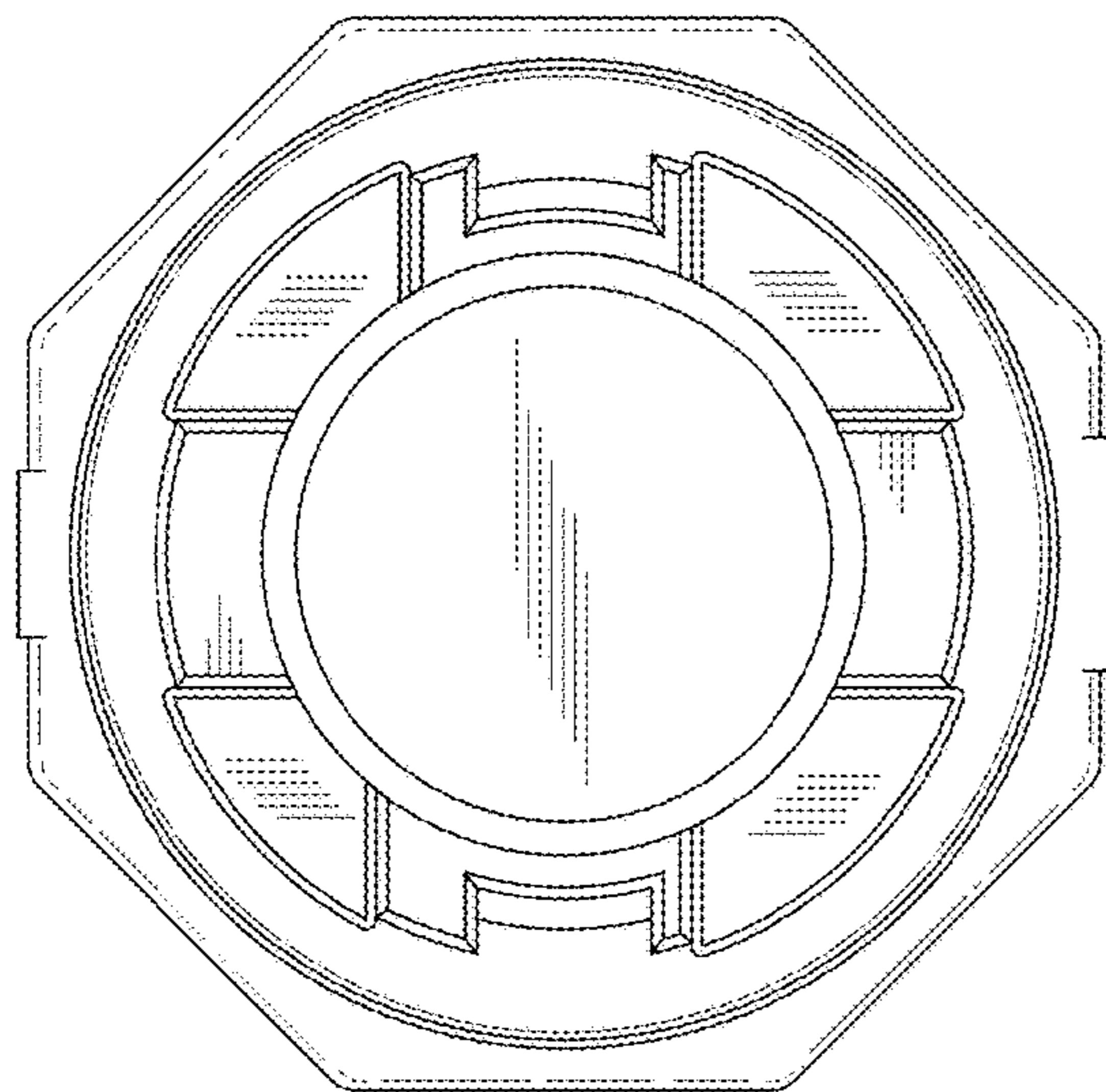


FIG. 4

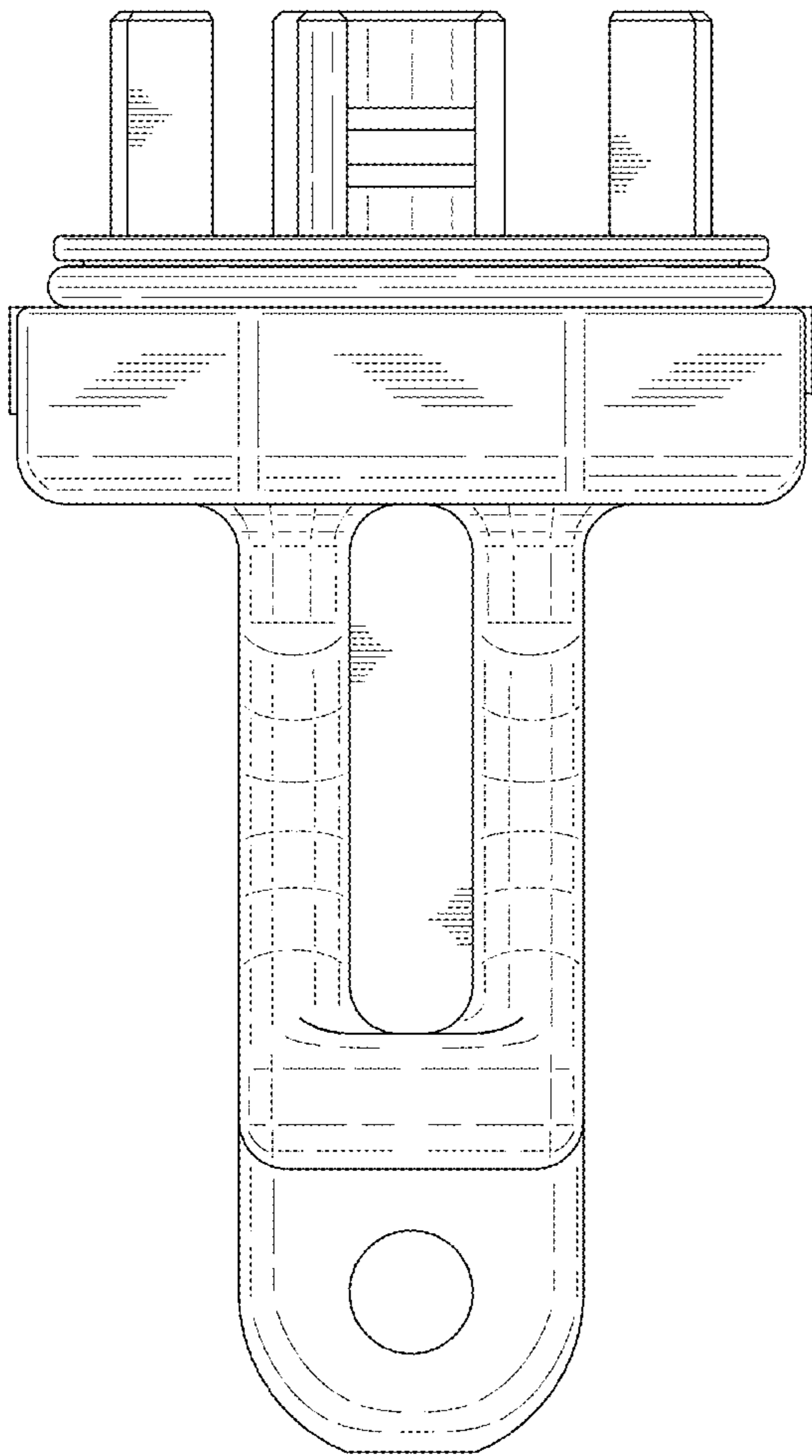


FIG. 5

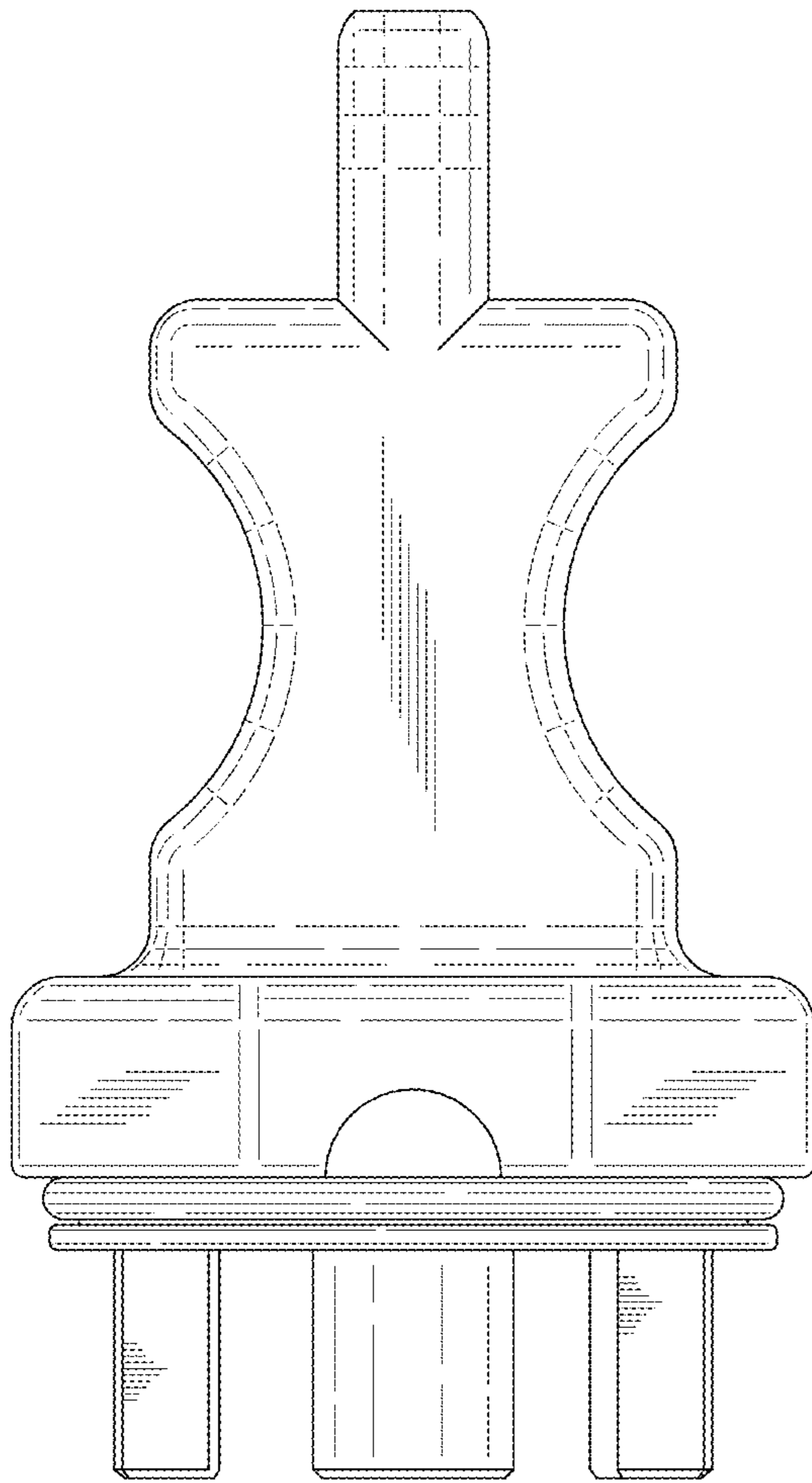


FIG. 6

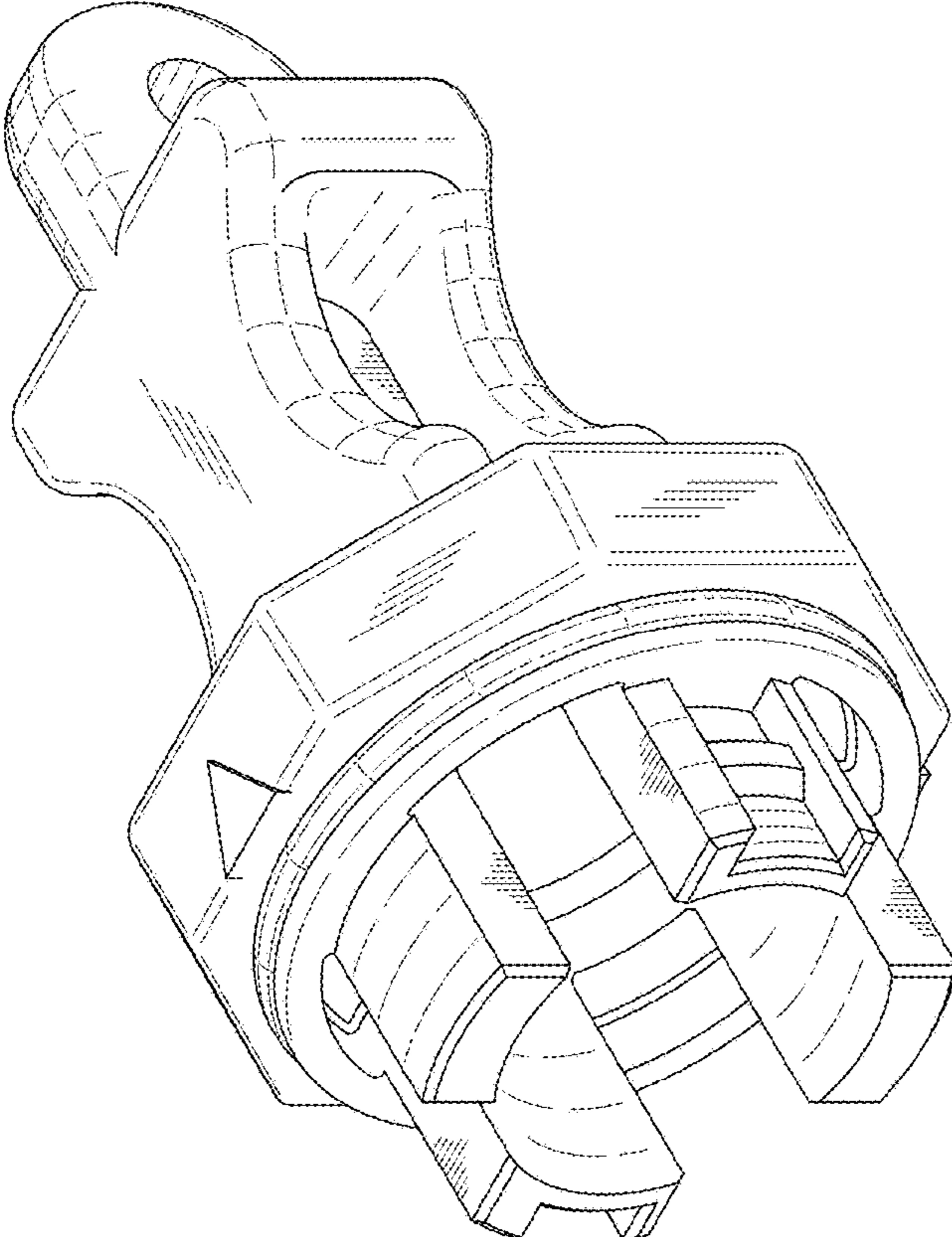


FIG.7

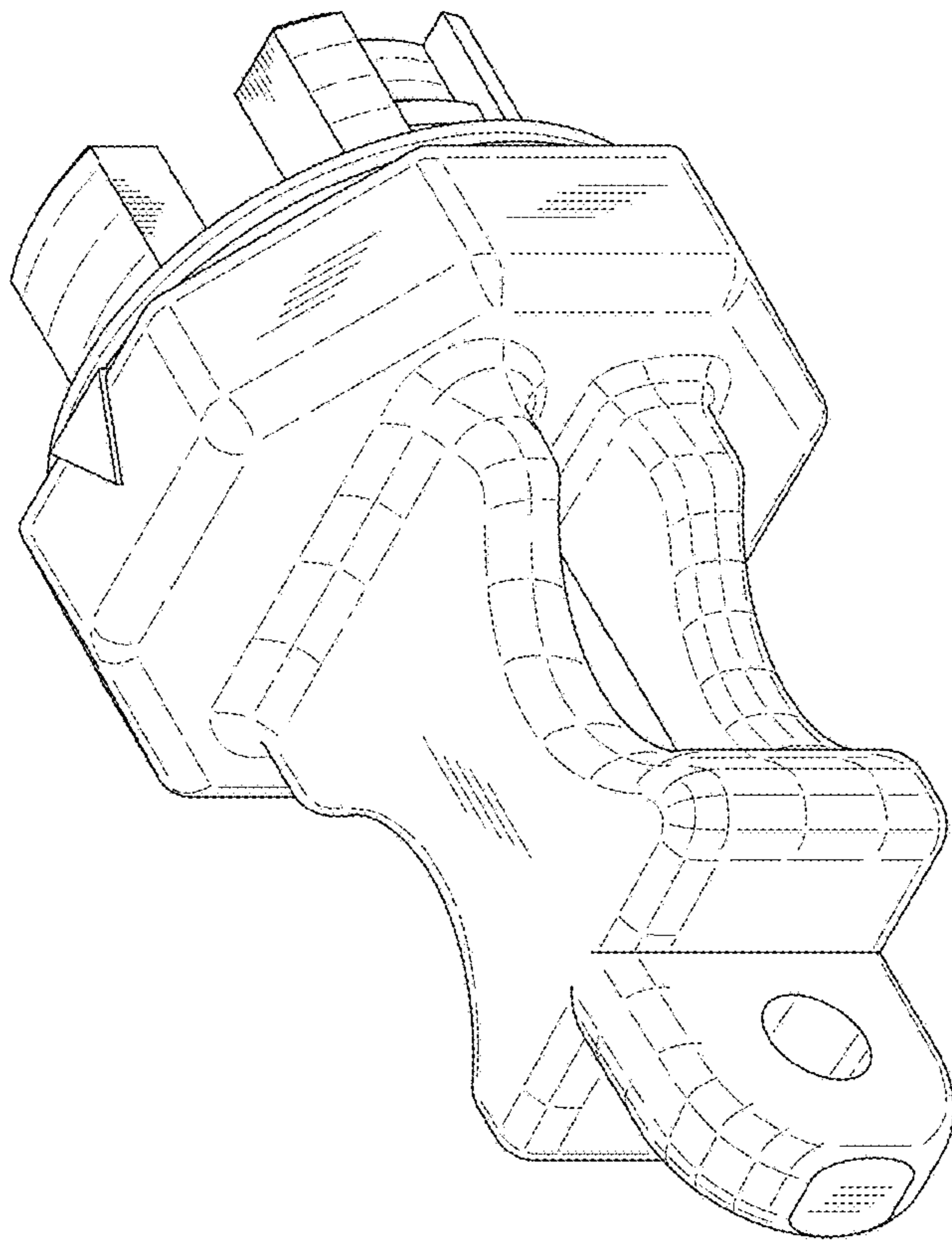


FIG.8

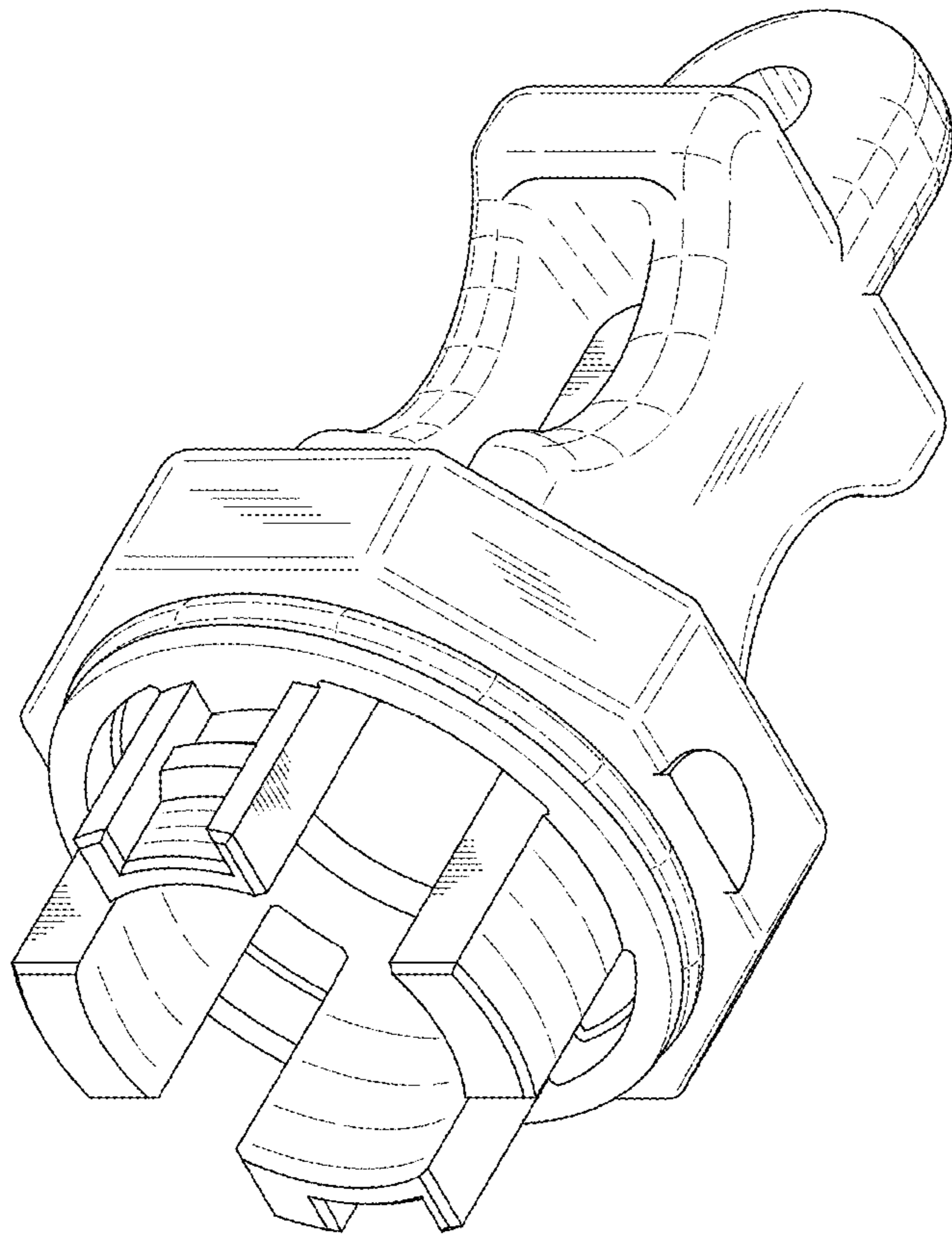


FIG.9

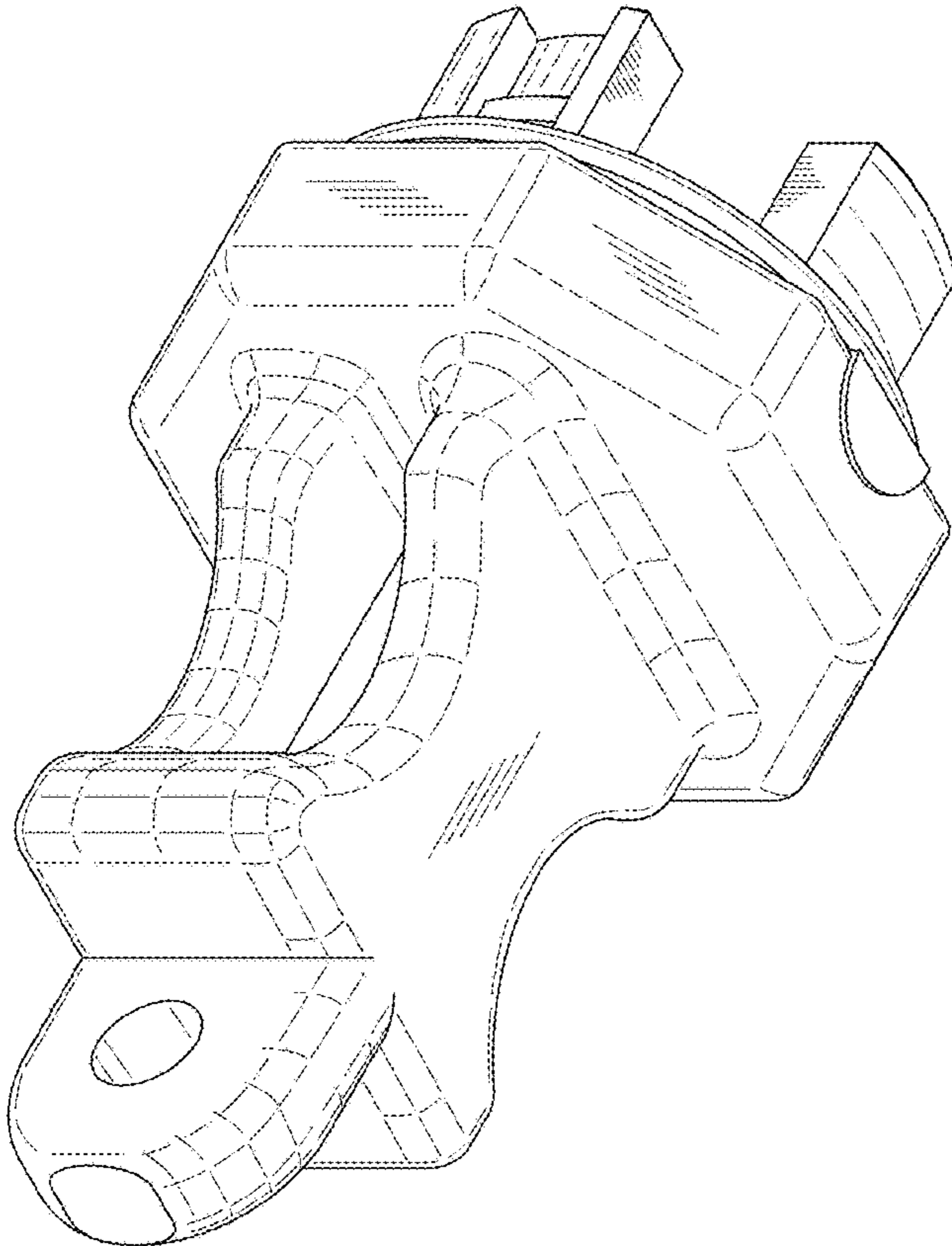


FIG.10