

US00D782980S

(12) **United States Design Patent**
Zhang et al.

(10) **Patent No.:** **US D782,980 S**

(45) **Date of Patent:** **** Apr. 4, 2017**

(54) **CONNECTOR**

(71) Applicant: **SZ DJI Technology Co., Ltd.**,
Shenzhen (CN)

(72) Inventors: **Lei Zhang**, Shenzhen (CN); **Yun Zhao**,
Shenzhen (CN); **Yin Tang**, Shenzhen
(CN)

(73) Assignee: **SZ DJI Technology Co., Ltd.**,
Shenzhen (CN)

(**) Term: **15 Years**

(21) Appl. No.: **29/556,290**

(22) Filed: **Feb. 29, 2016**

(51) **LOC (10) Cl.** **13-03**

(52) **U.S. Cl.**
USPC **D13/147; D13/154**

(58) **Field of Classification Search**
USPC D13/120, 133, 146, 147, 154
CPC H01R 13/00; H01R 24/00; H01R 43/00
See application file for complete search history.

(56) **References Cited**

U.S. PATENT DOCUMENTS

D419,522 S * 1/2000 Kamagai D13/120
D472,879 S * 4/2003 Ouchi D13/147

D596,130 S * 7/2009 Chen D13/147
D613,689 S * 4/2010 Yang D13/120
D614,569 S * 4/2010 Yang D13/120
D617,734 S * 6/2010 Yang D13/120
D618,172 S * 6/2010 Yang D13/120
D652,387 S * 1/2012 Ohkuma D13/147

* cited by examiner

Primary Examiner — Daniel Bui

(74) *Attorney, Agent, or Firm* — Sterne, Kessler,
Goldstein & Fox P.L.L.C.

(57) **CLAIM**

The ornamental design for a connector, as shown and described.

DESCRIPTION

FIG. 1 is a top front perspective view of a connector showing the claimed design;

FIG. 2 is a front view thereof;

FIG. 3 is a rear view thereof;

FIG. 4 is a left side view thereof;

FIG. 5 is a right side view thereof;

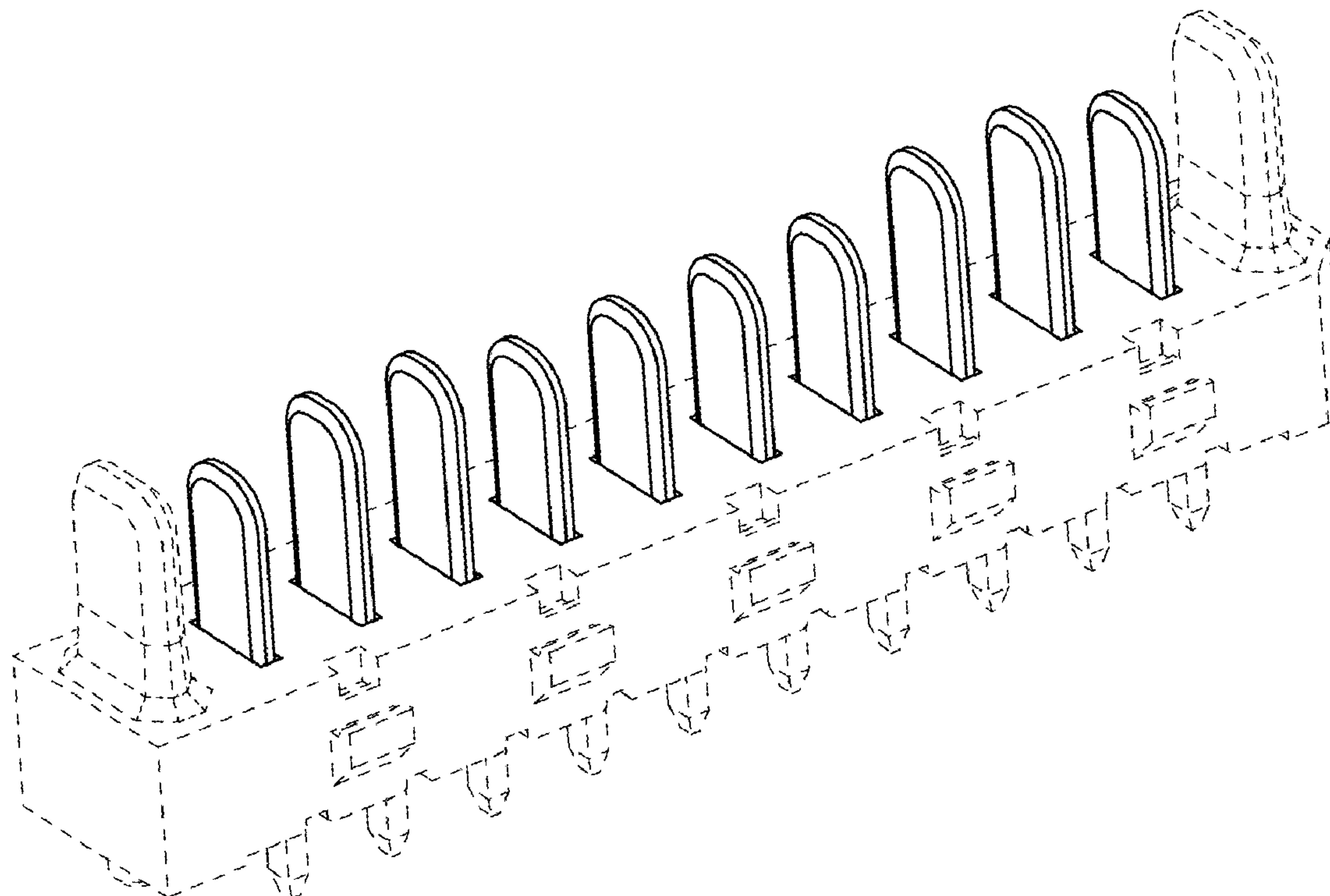
FIG. 6 is a top view thereof; and,

FIG. 7 is a bottom view thereof.

The broken lines in the figures show portions of the connector that form no part of the claimed design.

The shade lines in the figures show contour and not surface ornamentation.

1 Claim, 2 Drawing Sheets



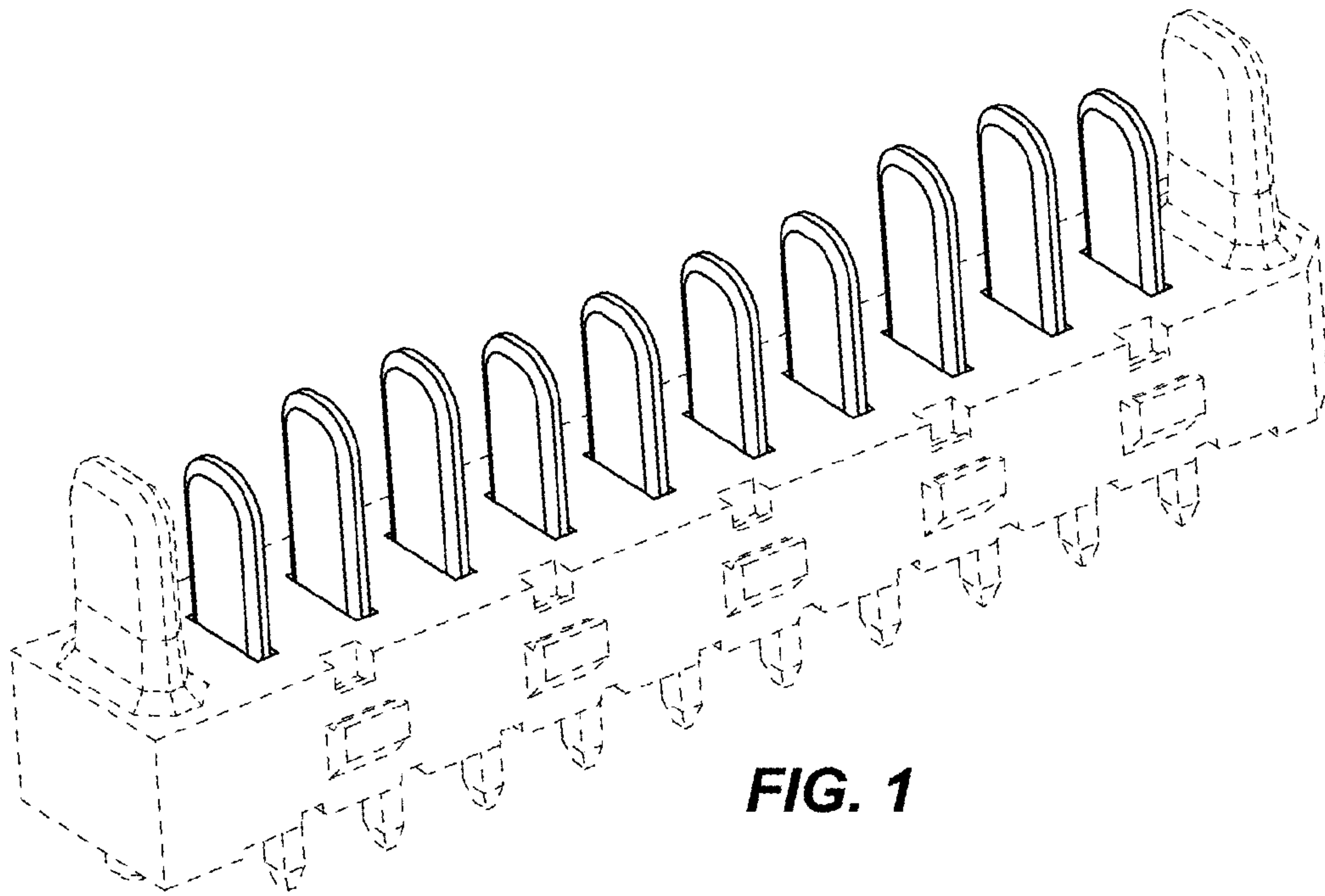


FIG. 1

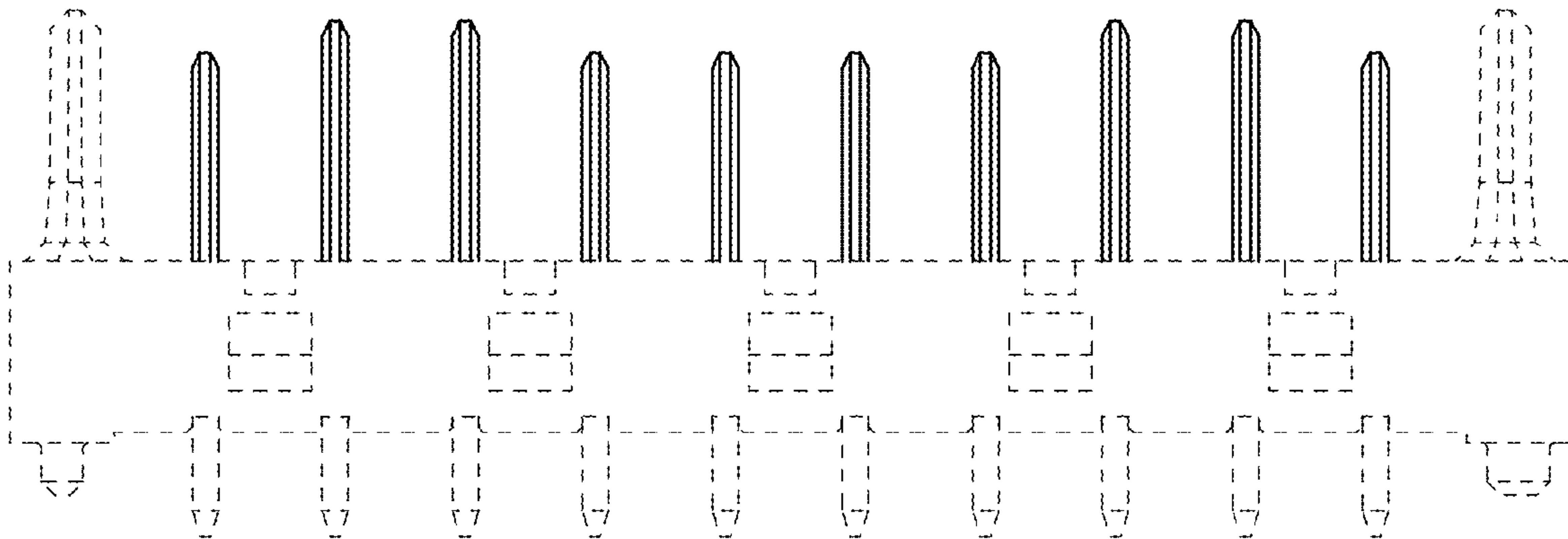


FIG. 2

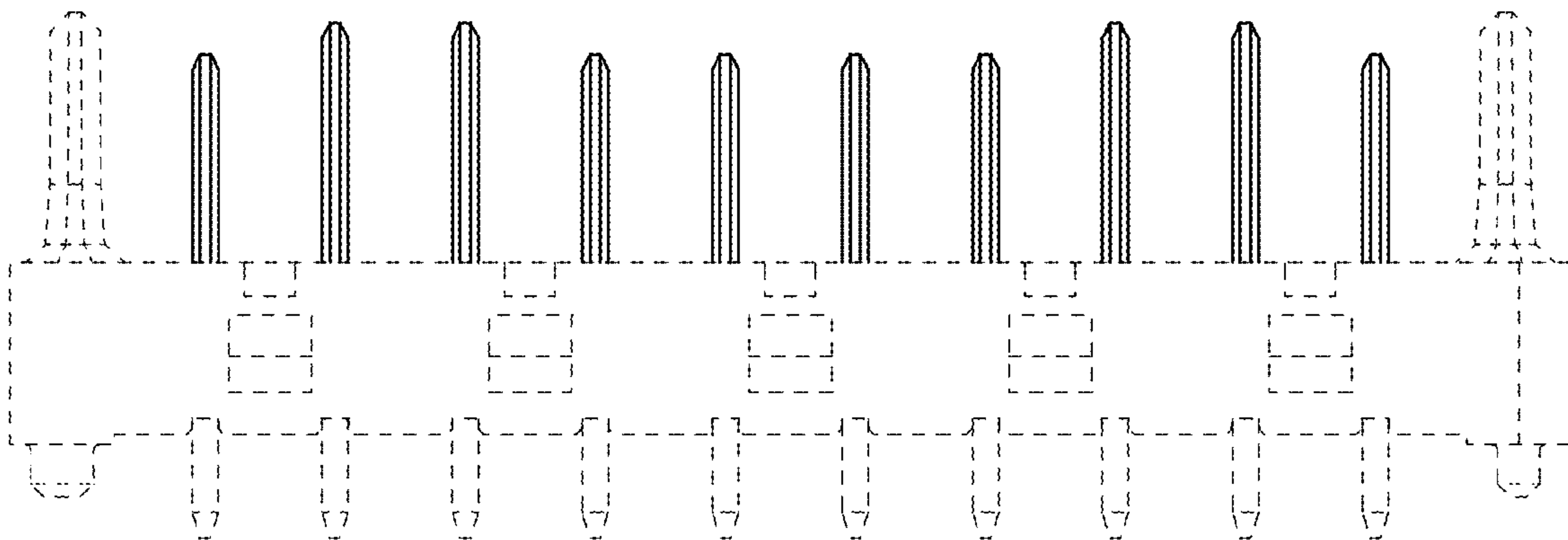


FIG. 3

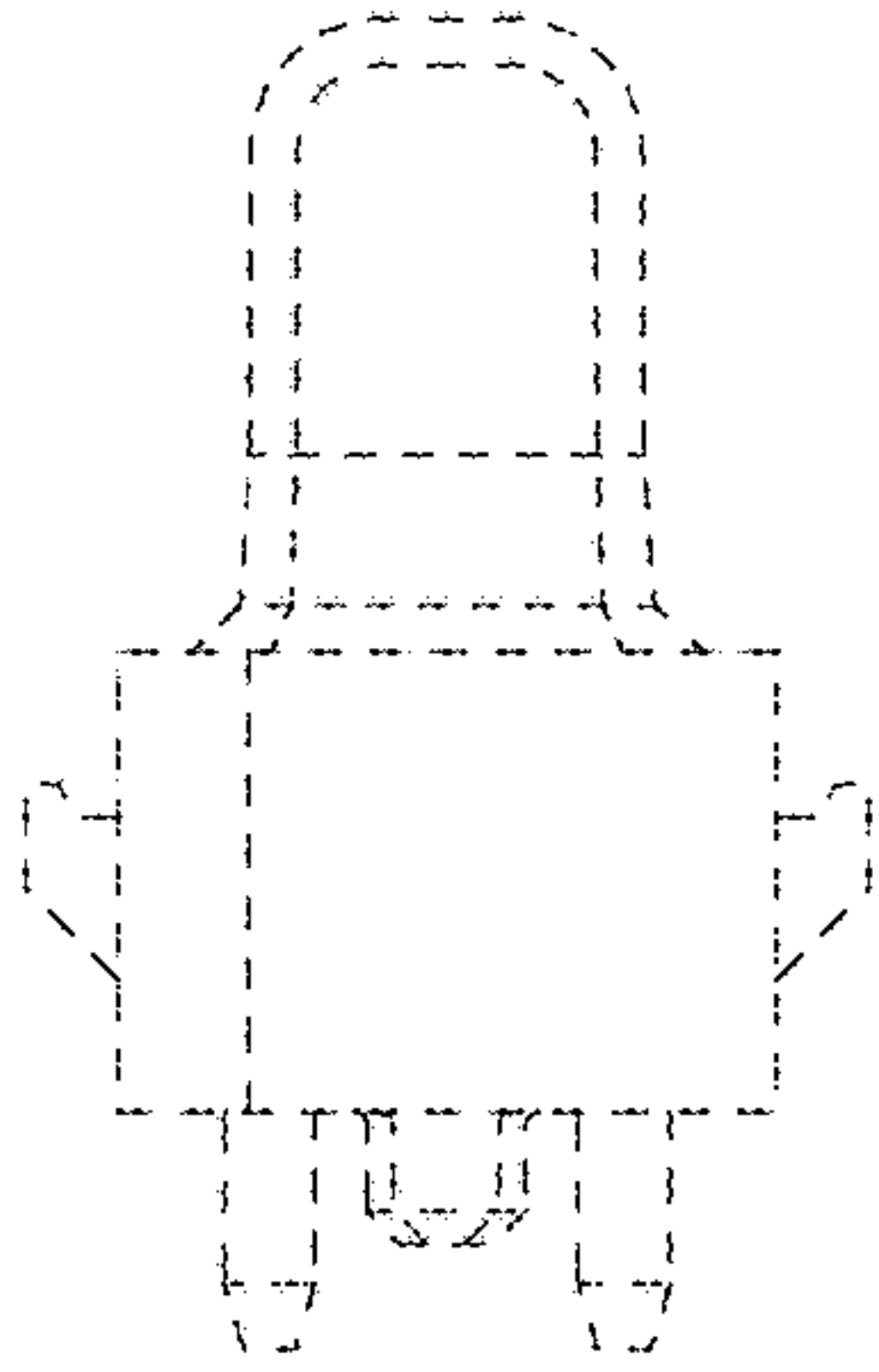


FIG. 4

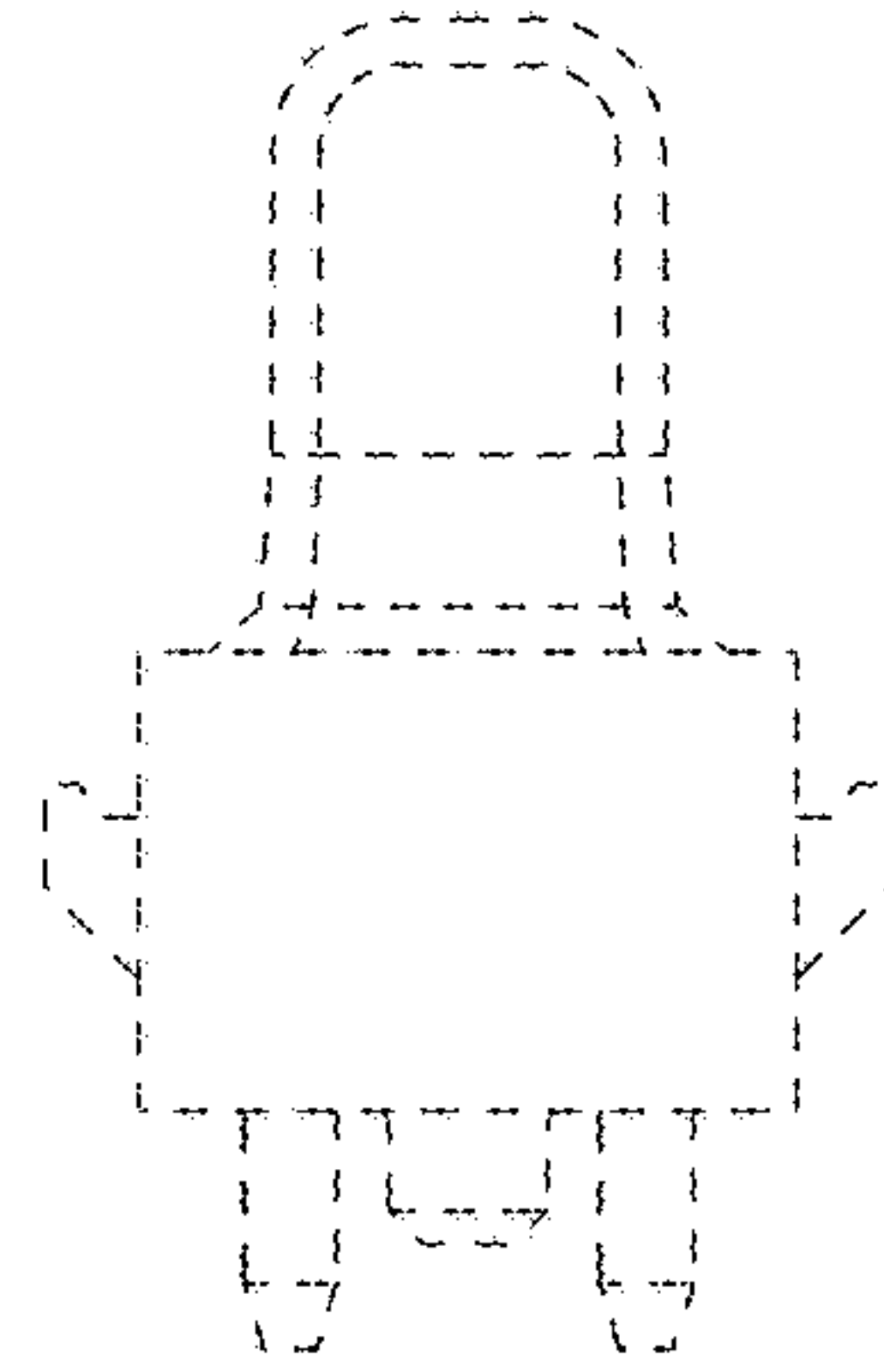


FIG. 5

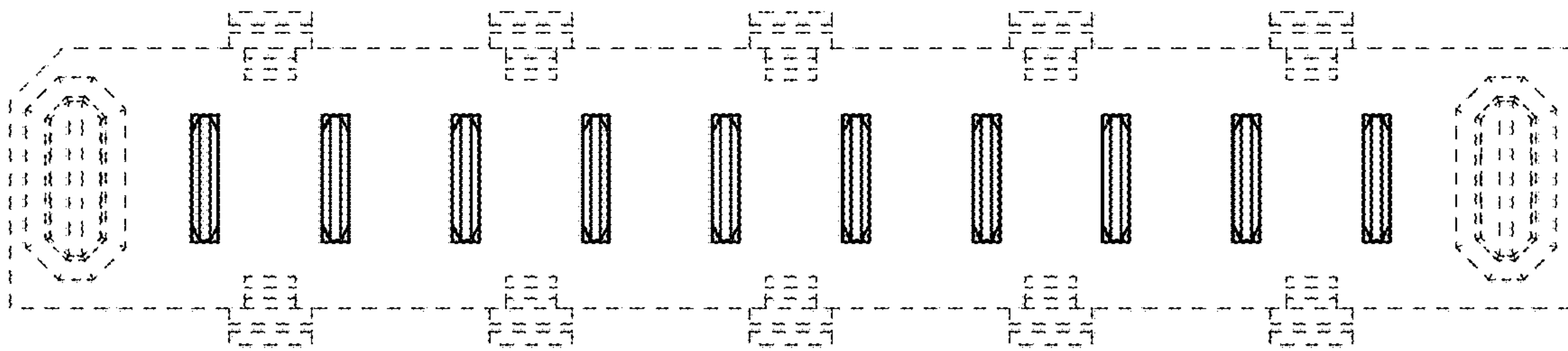


FIG. 6

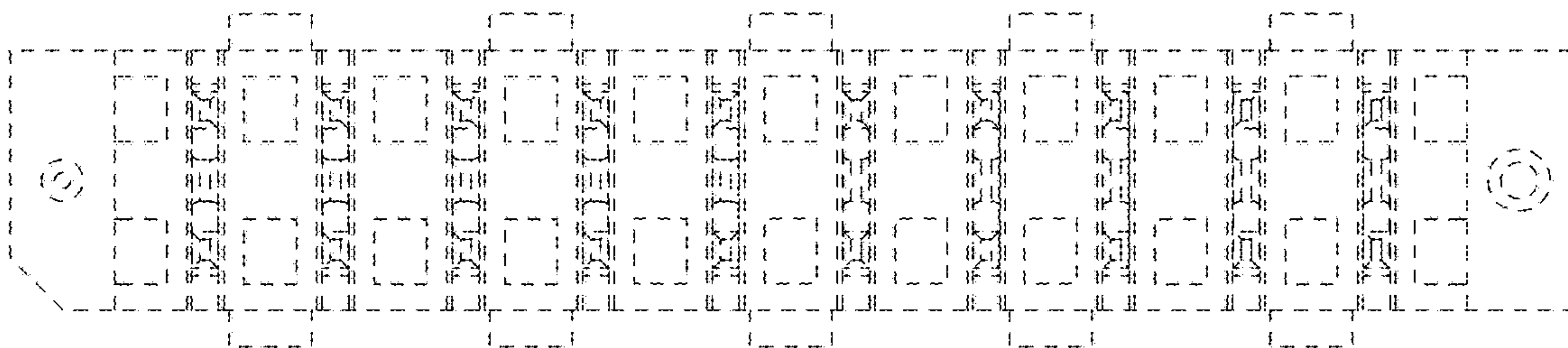


FIG. 7