



US00D782978S

(12) **United States Design Patent**
Shiroshita et al.

(10) **Patent No.:** **US D782,978 S**
(45) **Date of Patent:** **** Apr. 4, 2017**

(54) **POWER PLUG ADAPTER**
(71) Applicant: **SHIROSHITA INDUSTRIAL CO., LTD.**, Nagano (JP)
(72) Inventors: **Toru Shiroshita**, Nagano (JP);
Hiroyuki Hiraide, Nagano (JP)
(73) Assignee: **SHIROSHITA INDUSTRIAL CO., LTD.**, Nagano (JP)
(**) Term: **14 Years**

6,320,353 B1 * 11/2001 Chiu H01R 31/06
320/107
D456,008 S * 4/2002 Kawanobe D13/110
6,991,482 B1 * 1/2006 Liao H01R 13/508
439/106
D573,532 S * 7/2008 Yang D13/110
D614,130 S * 4/2010 Nysten D13/108
D643,367 S * 8/2011 Castleberry D13/110
D660,797 S * 5/2012 Wu D13/110
D684,976 S * 6/2013 Akana D14/433
D707,626 S * 6/2014 Atkinson D13/110
2004/0097114 A1 5/2004 Shiroshita et al.
2009/0289596 A1 * 11/2009 McGinley H01R 31/065
320/111

(21) Appl. No.: **29/509,341**

* cited by examiner

(22) Filed: **Nov. 17, 2014**

Primary Examiner — Derrick Holland

(30) **Foreign Application Priority Data**

(74) *Attorney, Agent, or Firm* — Young & Thompson

May 21, 2014 (JP) 2014-010852

(51) **LOC (10) Cl.** **13-02**

(52) **U.S. Cl.**
USPC **D13/110**

(58) **Field of Classification Search**
USPC D13/101, 103, 107, 108, 110, 112, 123,
D13/133, 137.1–137.4, 139.1–139.8, 184,
D13/199; D14/432, 433; 174/53, 59;
363/146, 15, 34; 439/131, 171, 172, 173
CPC H01R 31/06; H01R 13/502; H01R 13/506;
H01R 13/652; H01R 24/30; H01R 27/00;
H01R 2103/00; H02J 7/00
See application file for complete search history.

(56) **References Cited**

U.S. PATENT DOCUMENTS

5,684,689 A * 11/1997 Hahn H01R 13/6675
363/146
6,227,888 B1 * 5/2001 Hahn H01R 27/00
439/172

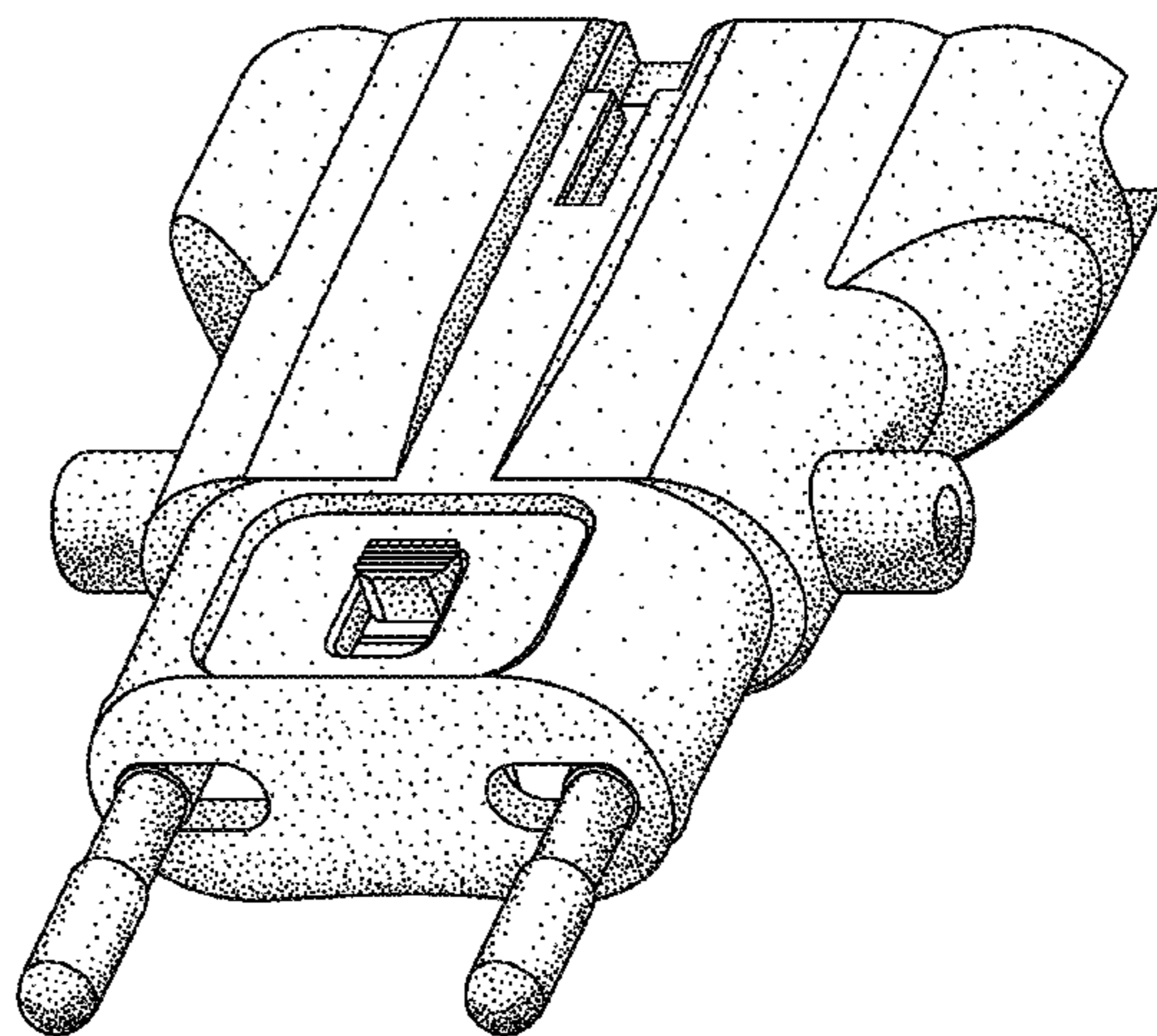
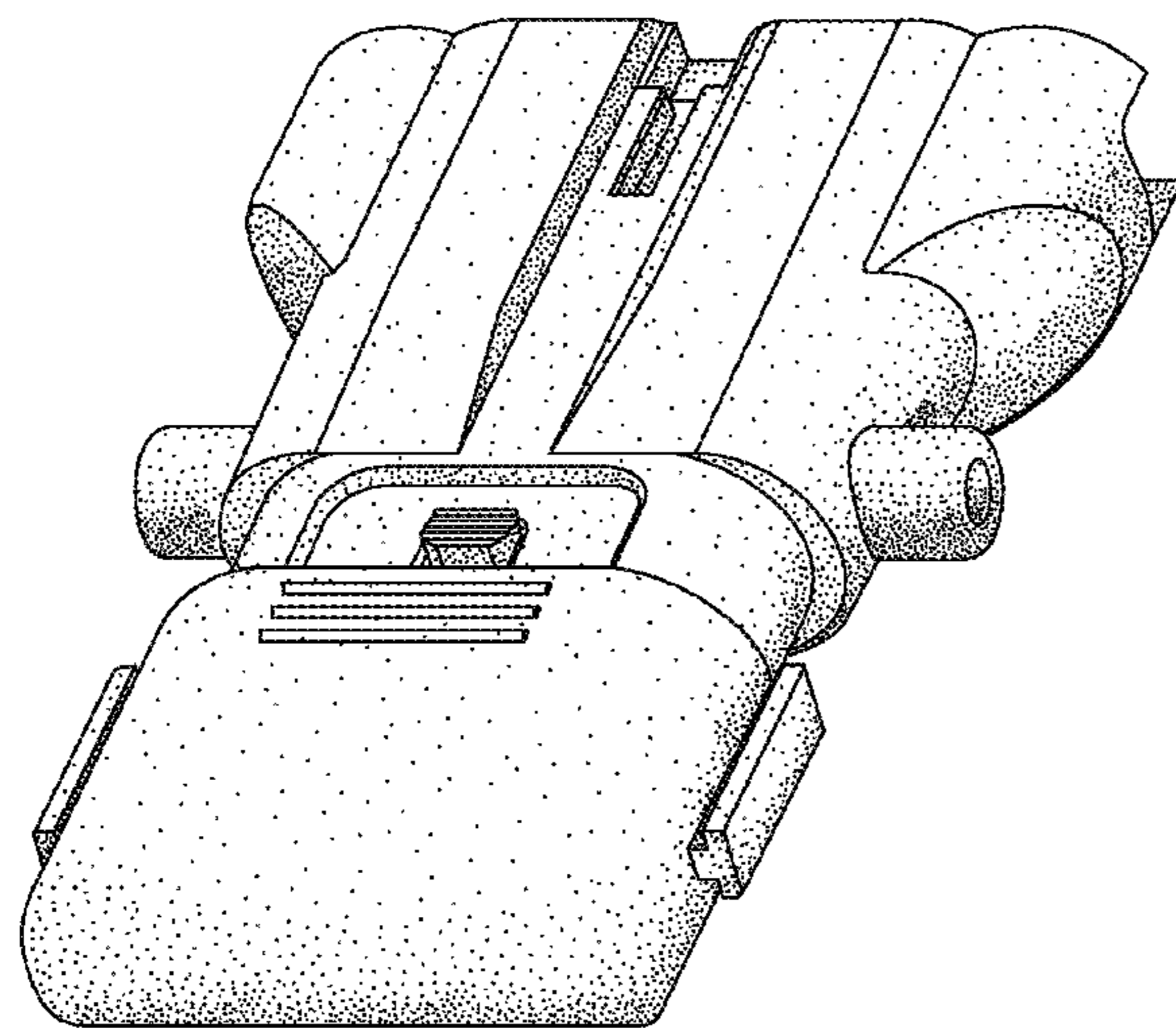
(57) **CLAIM**

The ornamental design for a power plug adapter, as shown and described.

DESCRIPTION

FIG. 1 is a front, left side and top perspective view of a power plug adapter showing the new design; FIG. 2 is a front elevation view thereof in a reduced scale; FIG. 3 is a rear elevation view thereof; FIG. 4 is a left side elevation view thereof; FIG. 5 is a right side elevation view thereof; FIG. 6 is a top plan view thereof; FIG. 7 is a bottom plan view thereof; FIG. 8 is a front, left side and top perspective view thereof, with the cap removed for ease of illustration; and, FIG. 9 is a cross sectional view thereof, taken along line 9-9 of FIG. 6.

1 Claim, 9 Drawing Sheets



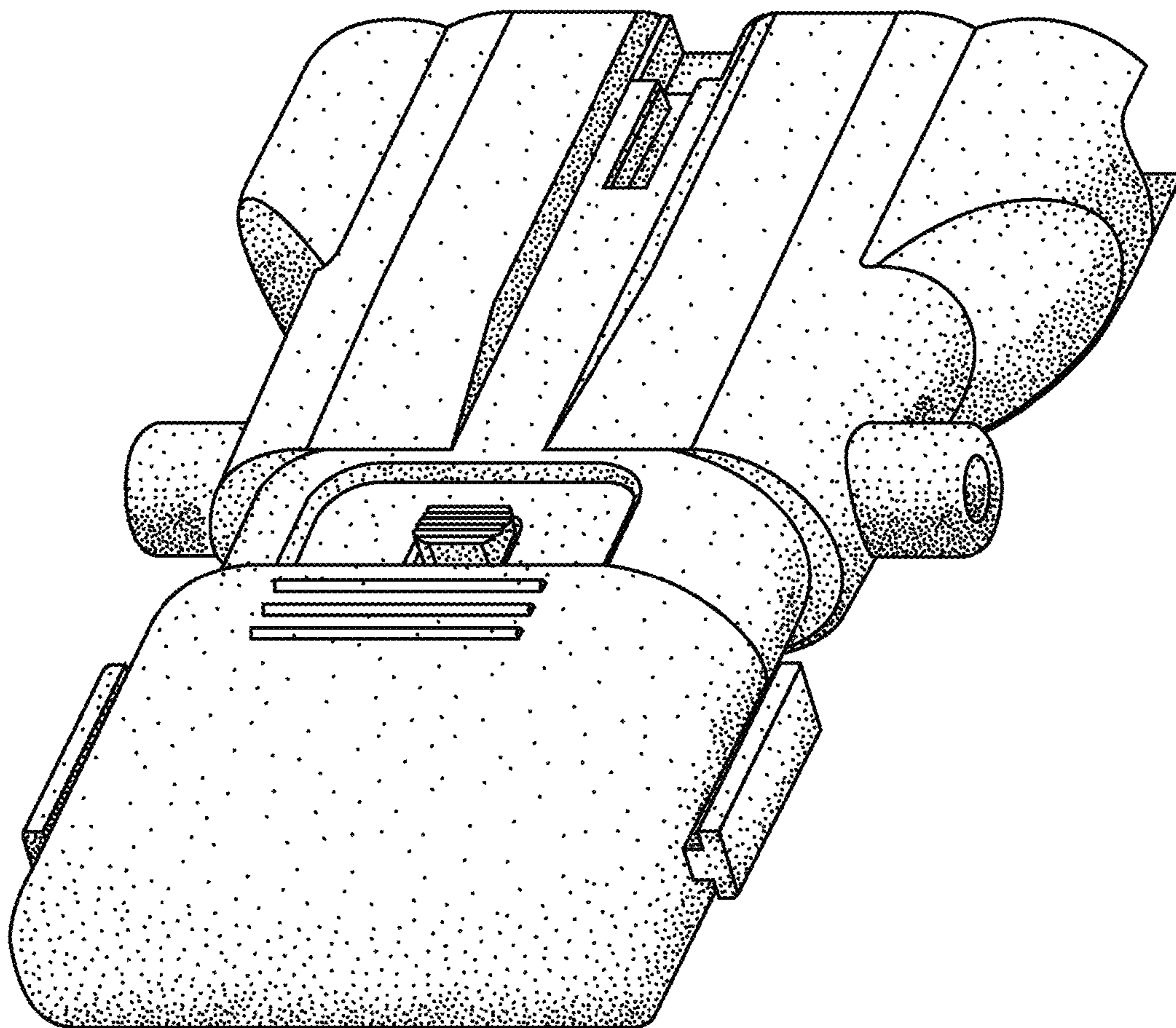


FIG.1

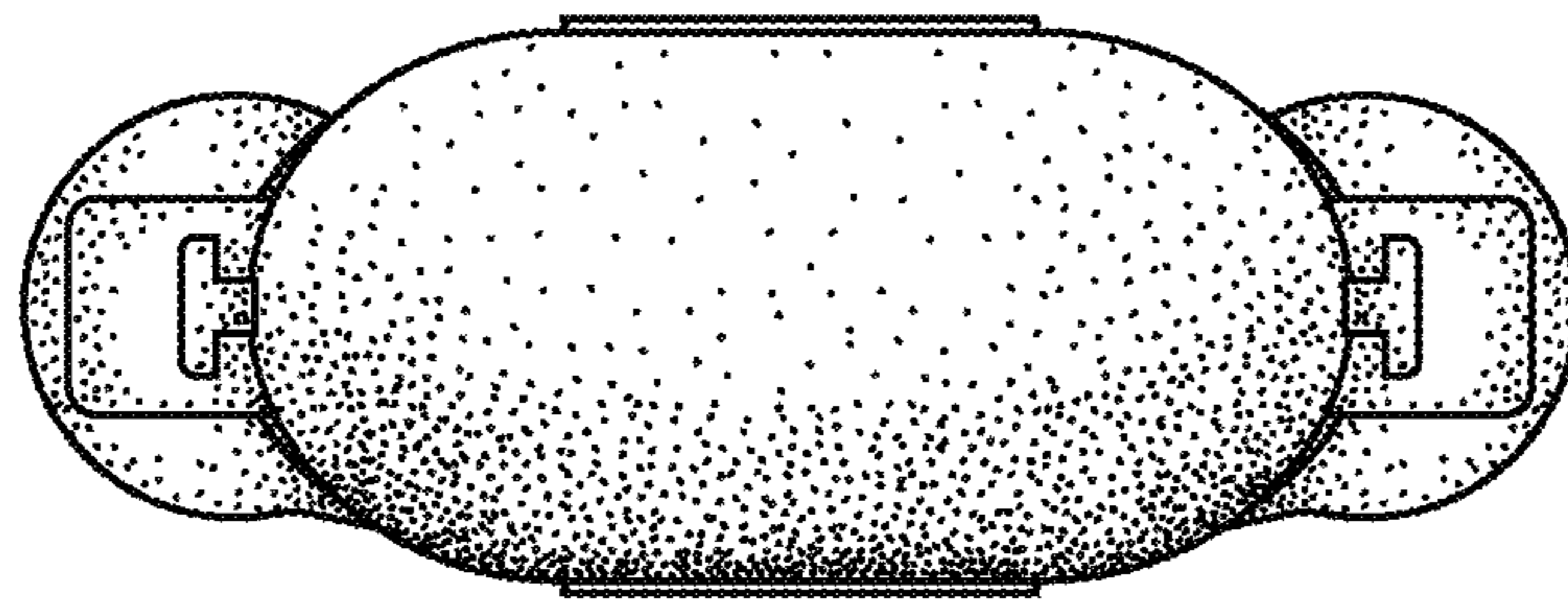


FIG.2

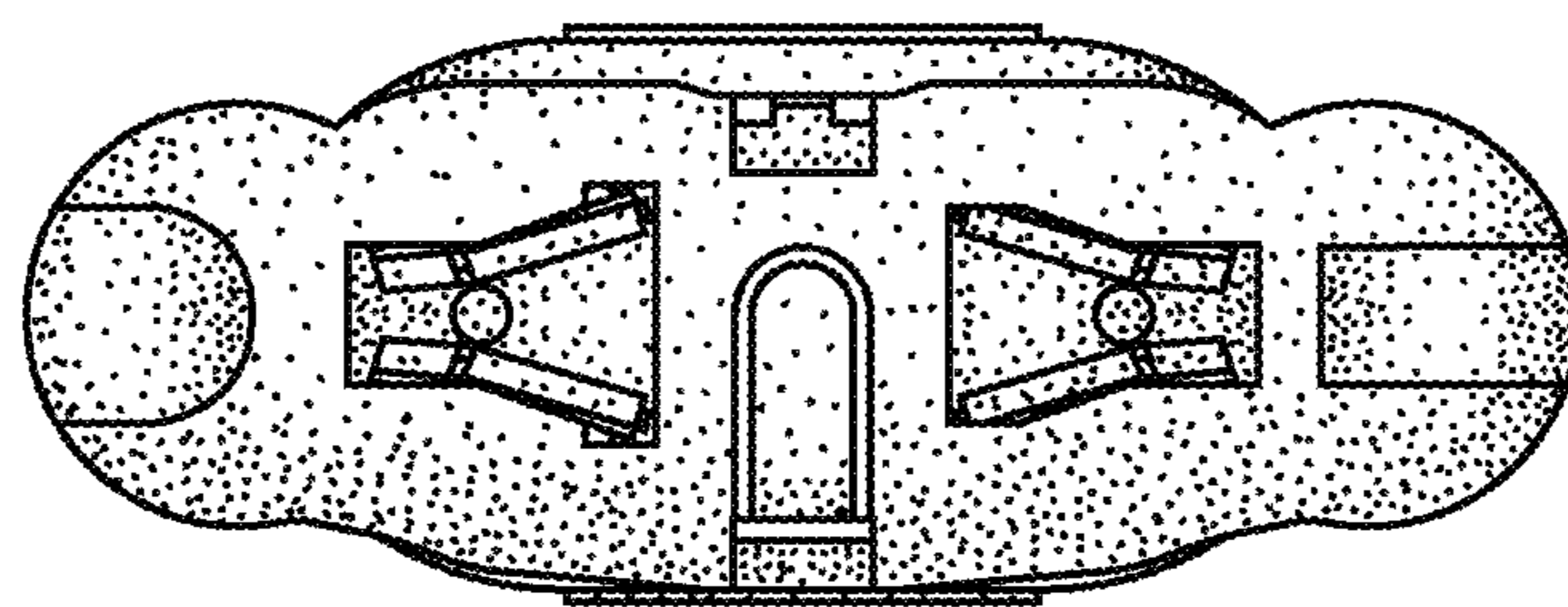


FIG.3

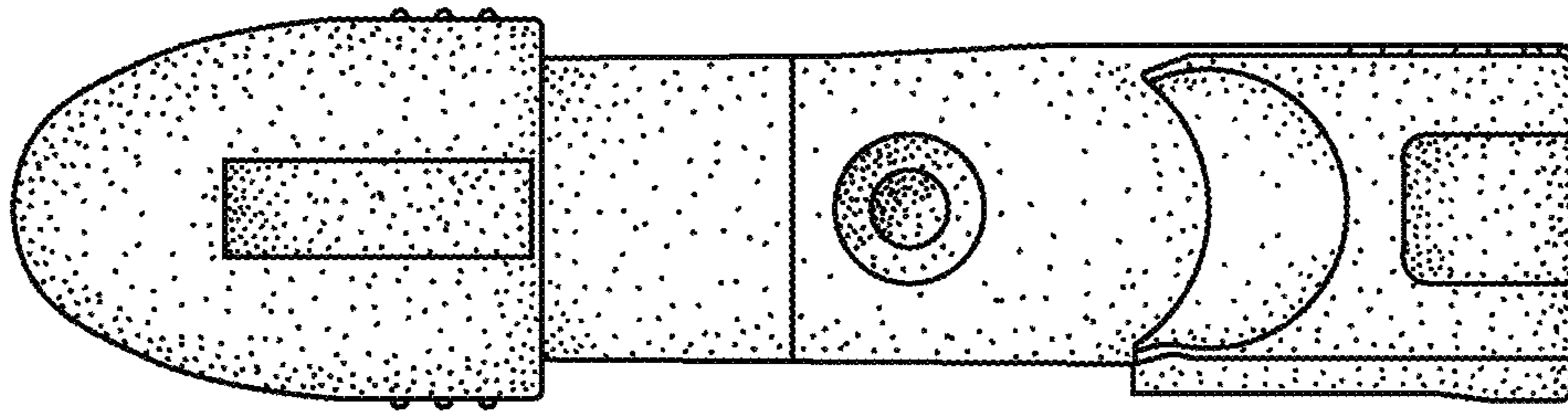


FIG.4

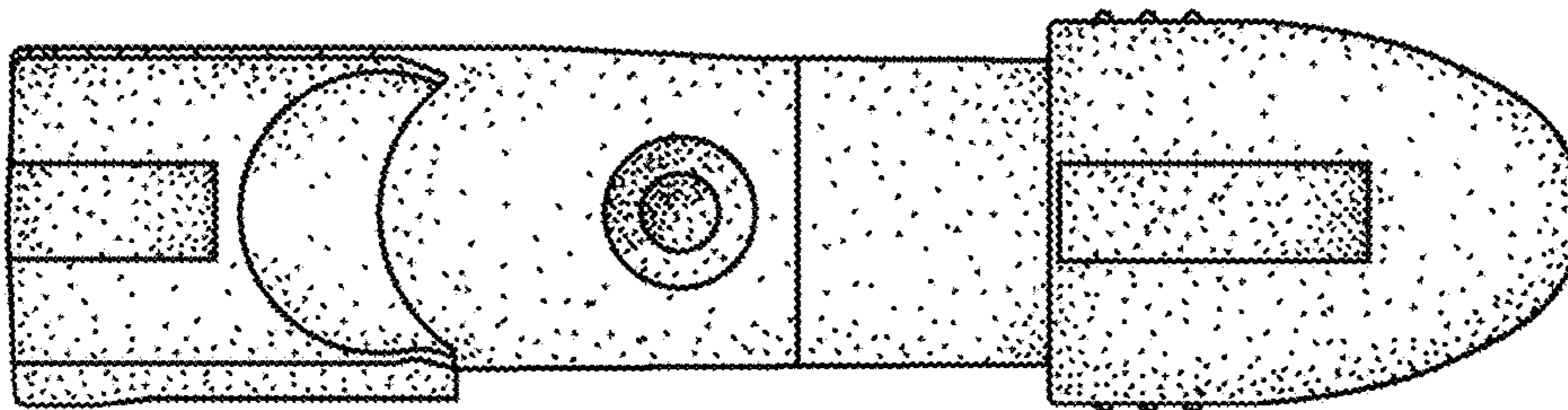


FIG.5

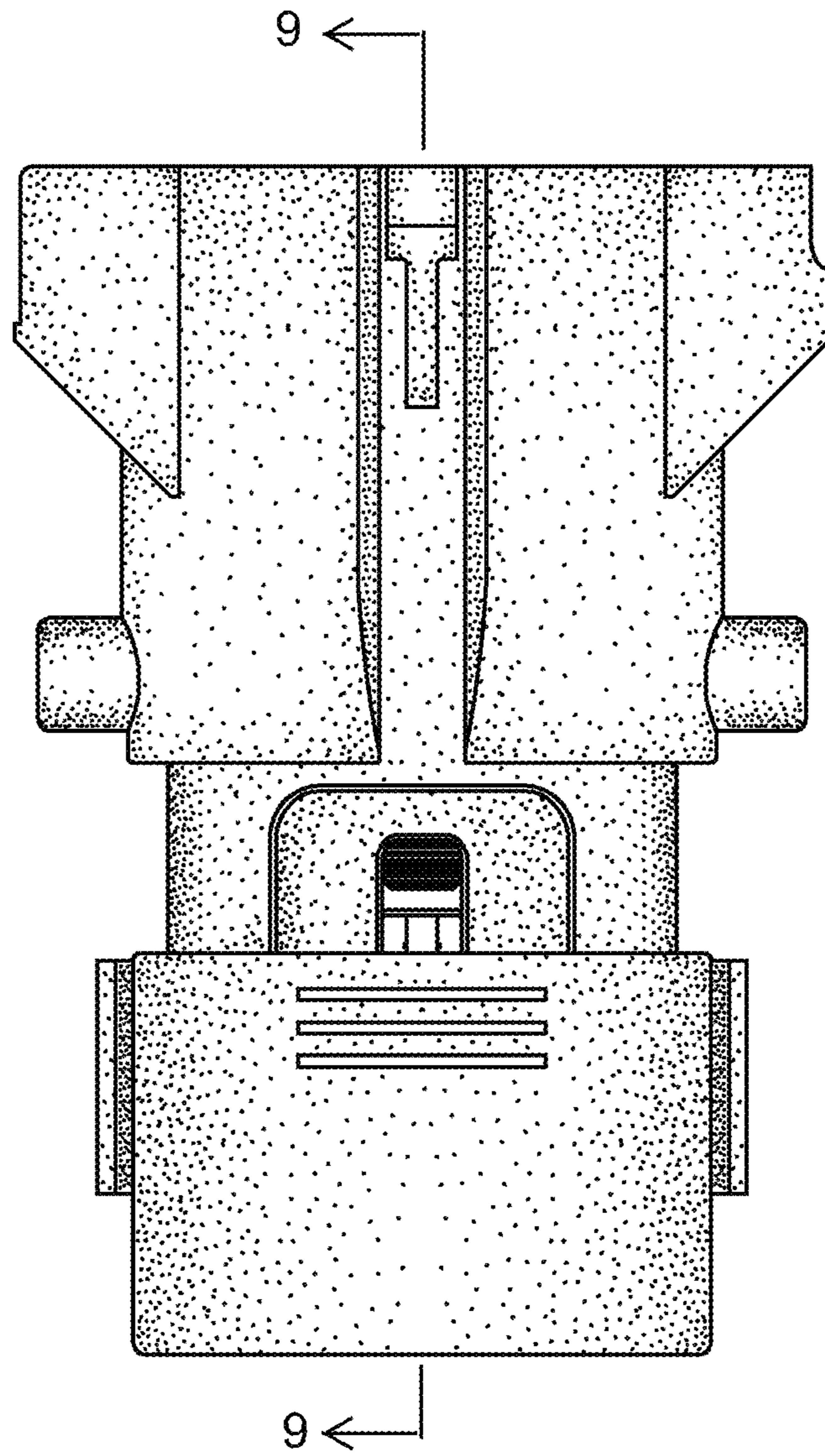


FIG.6

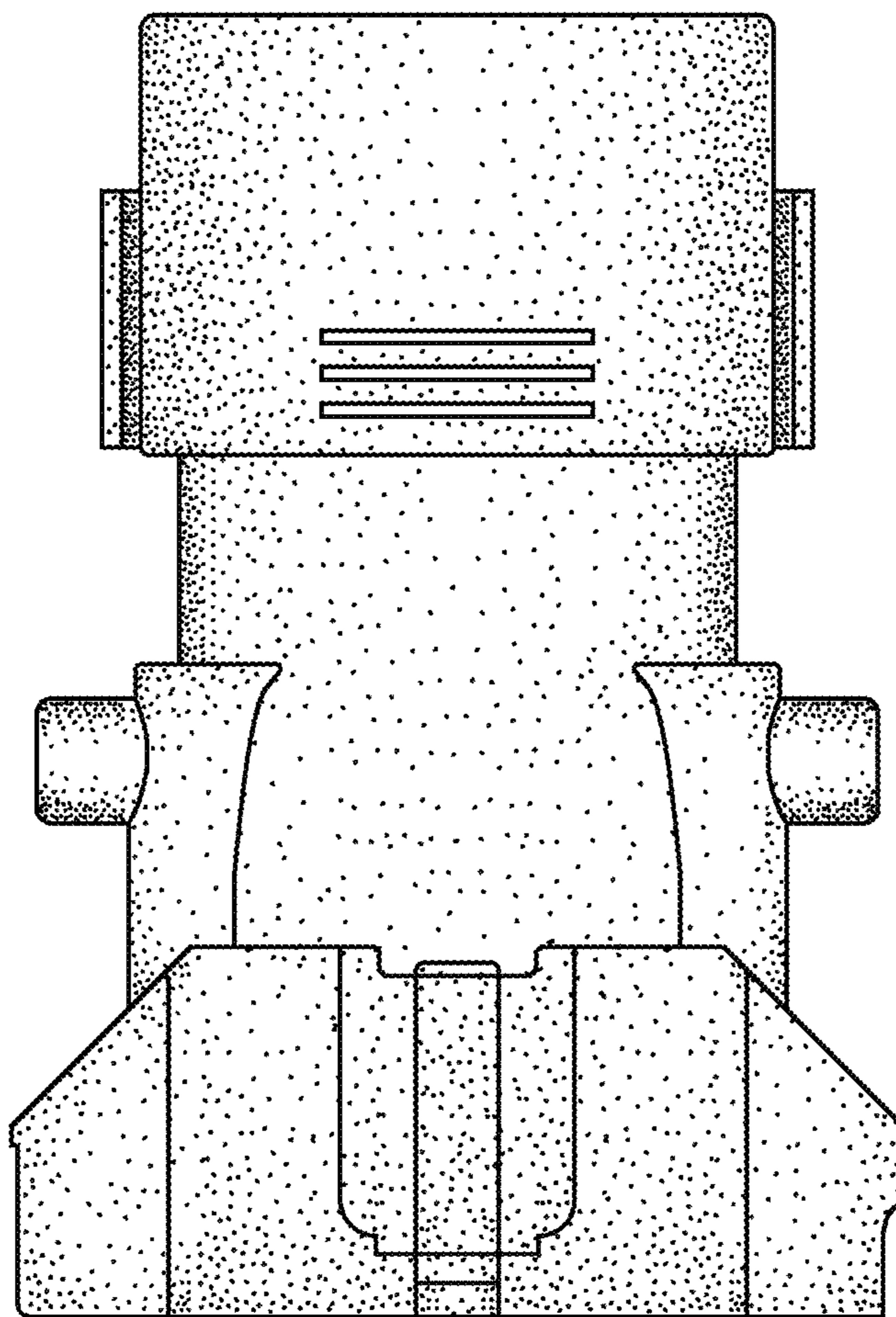


FIG.7

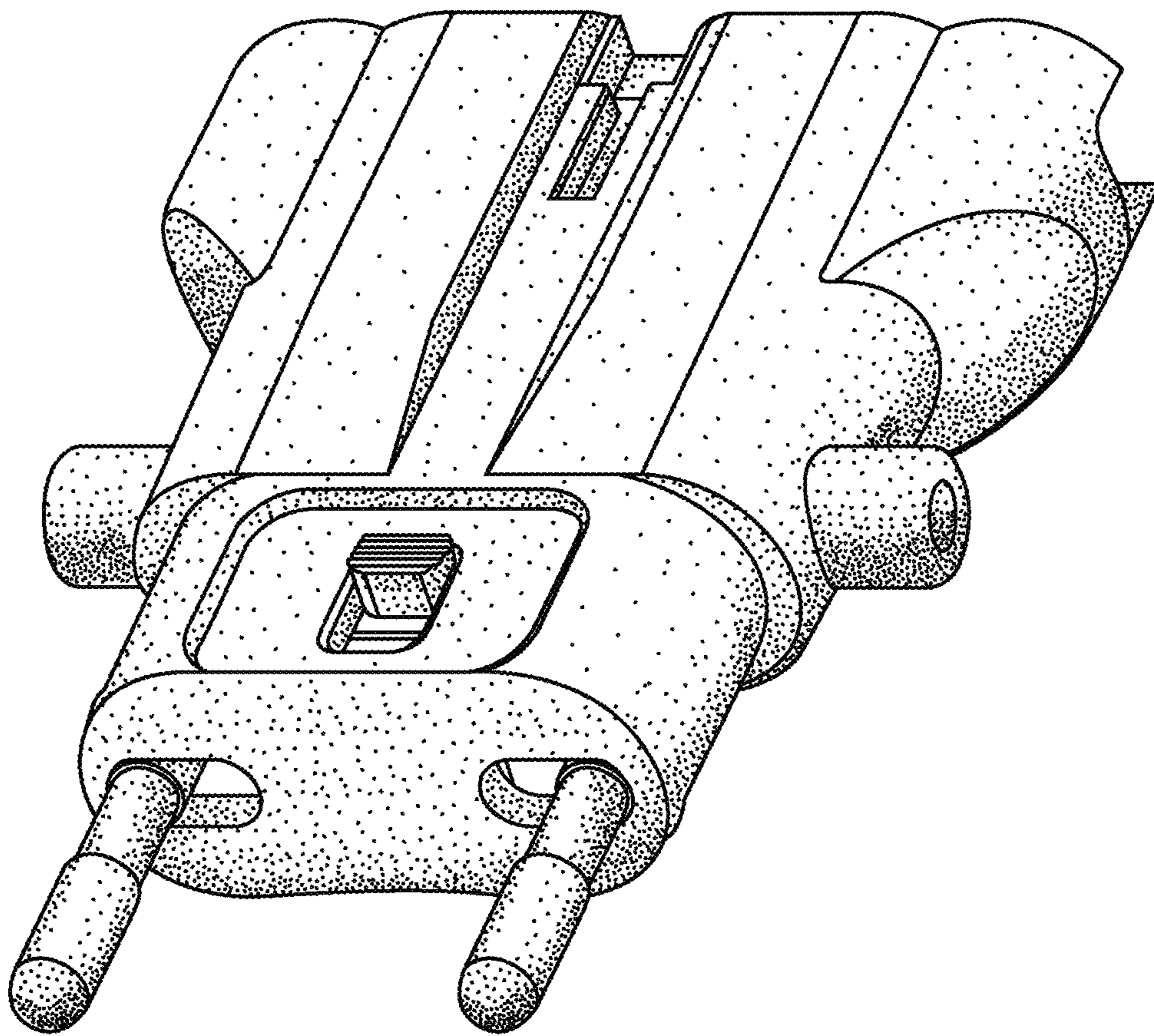


FIG.8

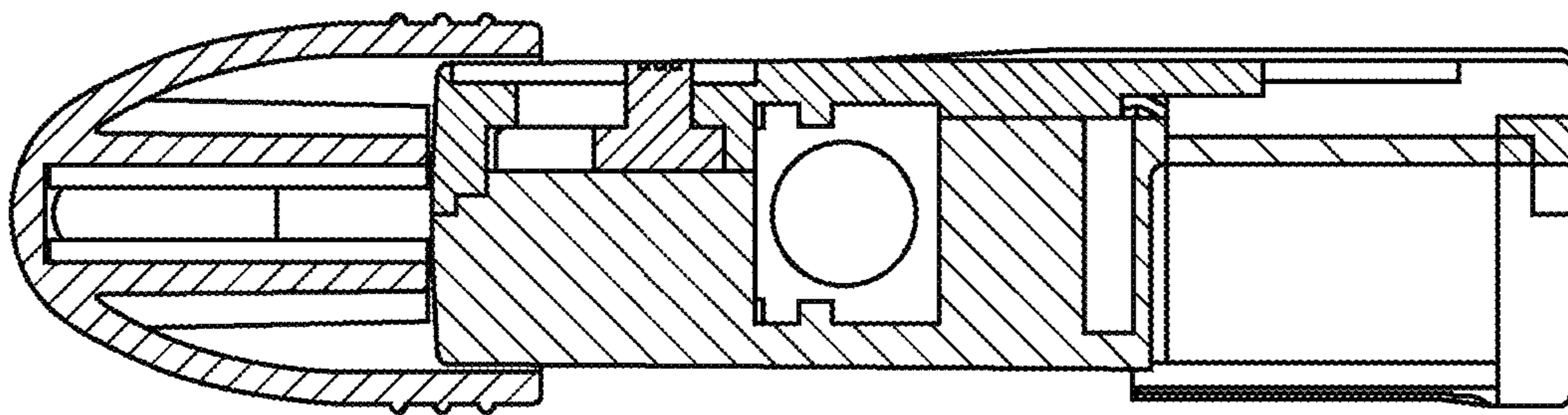


FIG.9