



US00D782977S

(12) **United States Design Patent**
Zhang

(10) **Patent No.:** **US D782,977 S**

(45) **Date of Patent:** **** Apr. 4, 2017**

(54) **WIRELESS CHARGING TRANSMITTER**

(71) Applicant: **Shenzhen Qianhai headfree Tech Co., Ltd**, Shenzhen (CN)

(72) Inventor: **Ming Zhang**, Shenzhen (CN)

(73) Assignee: **Shenzhen Qianhai headfree Tech Co., Ltd**, Shenzhen (CN)

(**) Term: **15 Years**

(21) Appl. No.: **29/553,174**

(22) Filed: **Jan. 29, 2016**

(30) **Foreign Application Priority Data**

Sep. 23, 2015 (CN) 2015 3 0370532

(51) **LOC (10) Cl.** **13-02**

(52) **U.S. Cl.**
USPC **D13/108**

(58) **Field of Classification Search**
USPC D16/219; D14/356, 251, 253, 432, 434,
D14/358; D13/107-110, 118-119, 184,
D13/199, 102-106
CPC H01M 10/44; H01M 10/46; H01M 10/425;
H01M 10/482; H01M 2/02; H01M 2/022;
H01M 2/0202; H01M 2/0207; H01M
2/0212; H01M 2/1061; H01M 2/1066;
H01M 2/105; H01M 2/20; H01M 2/202;
H01M 2/204; H01M 2/206; H01M
2/1022; H01M 2/1055; Y02E 60/10;
Y02E 60/122; Y02E 60/124; Y02E 60/50;
Y02E 60/12; H02J 7/0054; H02J 7/0055;
H02J 7/0057; H02J 7/025; H02J 7/0042;
H02J 7/0044; H02J 7/0045; H02J 7/0003;
Y02T 90/14; Y02T 90/122; Y02T 90/128;
Y02T 90/163; H01R 13/6675; A61C
17/20; A61C 17/32

See application file for complete search history.

(56) **References Cited**

U.S. PATENT DOCUMENTS

D574,769 S *	8/2008	Fisher	D13/108
D578,961 S *	10/2008	Fisher	D13/108
D598,375 S *	8/2009	Nomi	D13/108
D625,721 S *	10/2010	Ferber	D14/358
D654,429 S *	2/2012	Li	D13/103
D664,143 S *	7/2012	Chaturvedi	D14/240
D682,777 S *	5/2013	Gupta	D13/103
D700,134 S *	2/2014	Fallon	D13/102
D704,135 S *	5/2014	Stewart	D13/108
D716,731 S *	11/2014	Johnson	D13/118

(Continued)

Primary Examiner — Rosemary K Tarcza

Assistant Examiner — Christy Nemeth

(74) *Attorney, Agent, or Firm* — Gokalp Bayramoglu

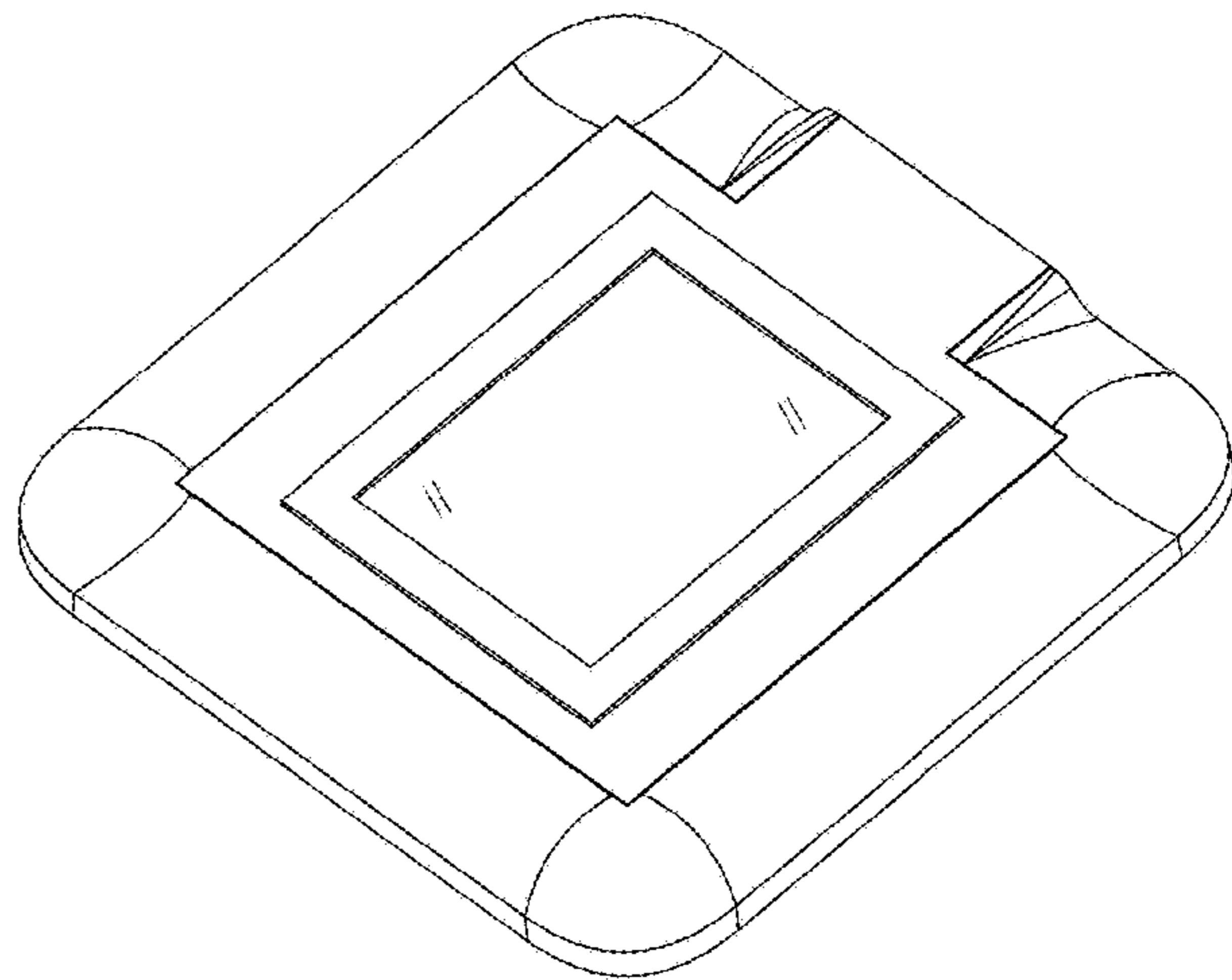
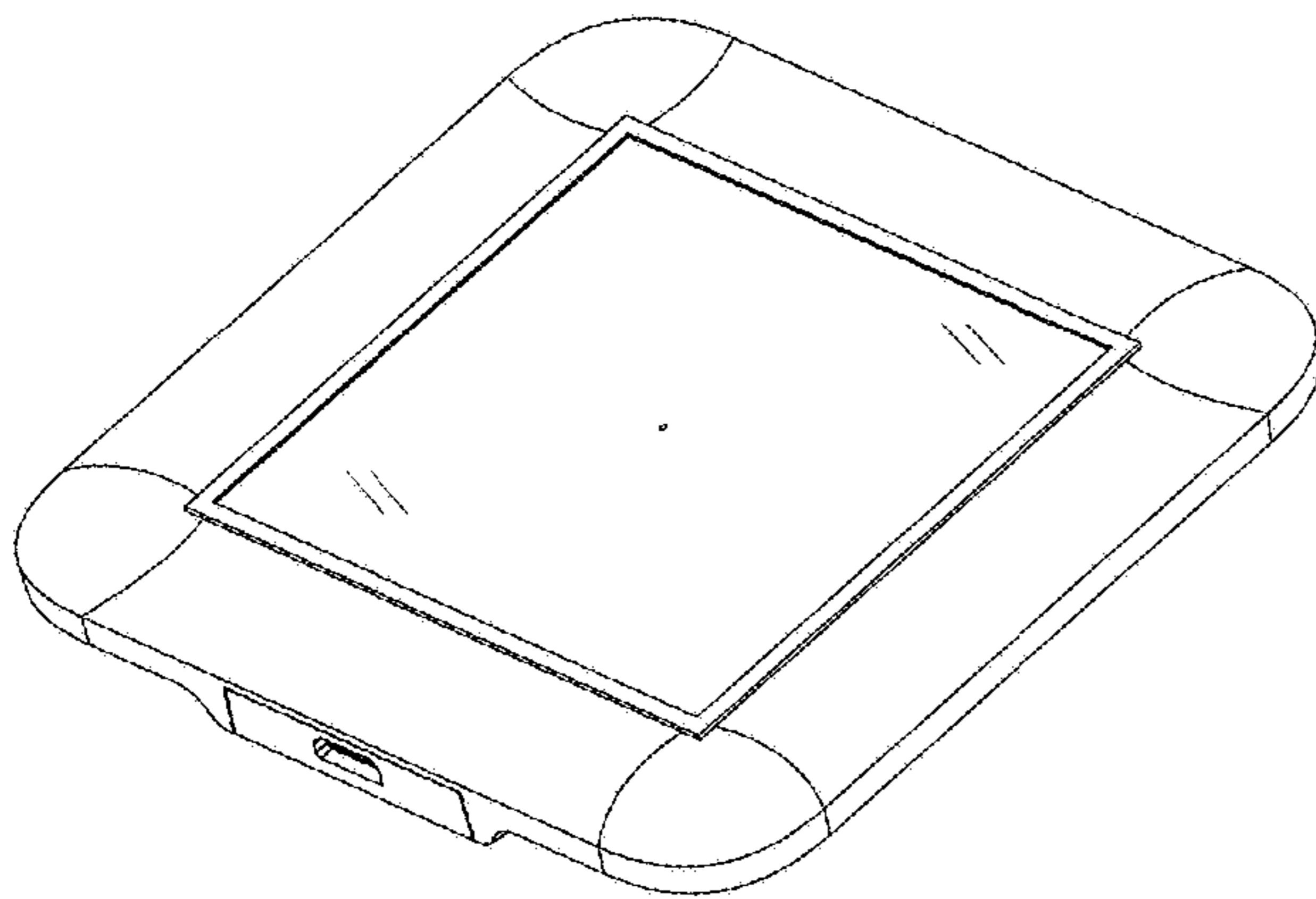
(57) **CLAIM**

The ornamental design for a wireless charging transmitter, as shown and described.

DESCRIPTION

FIG. 1 is a front view of a wireless charging transmitter; FIG. 2 is a back view of the wireless charging transmitter; FIG. 3 is a left side view of the wireless charging transmitter; FIG. 4 is a right side view of the wireless charging transmitter; FIG. 5 is a top plan view of the wireless charging transmitter; FIG. 6 is a bottom plan view of the wireless charging transmitter; FIG. 7 is a front perspective view of the wireless charging transmitter; and, FIG. 8 is a back perspective view of the wireless charging transmitter.

1 Claim, 8 Drawing Sheets



(56)

References Cited

U.S. PATENT DOCUMENTS

D722,962 S * 2/2015 Kim D13/108
D760,647 S * 7/2016 Chen D13/103

* cited by examiner

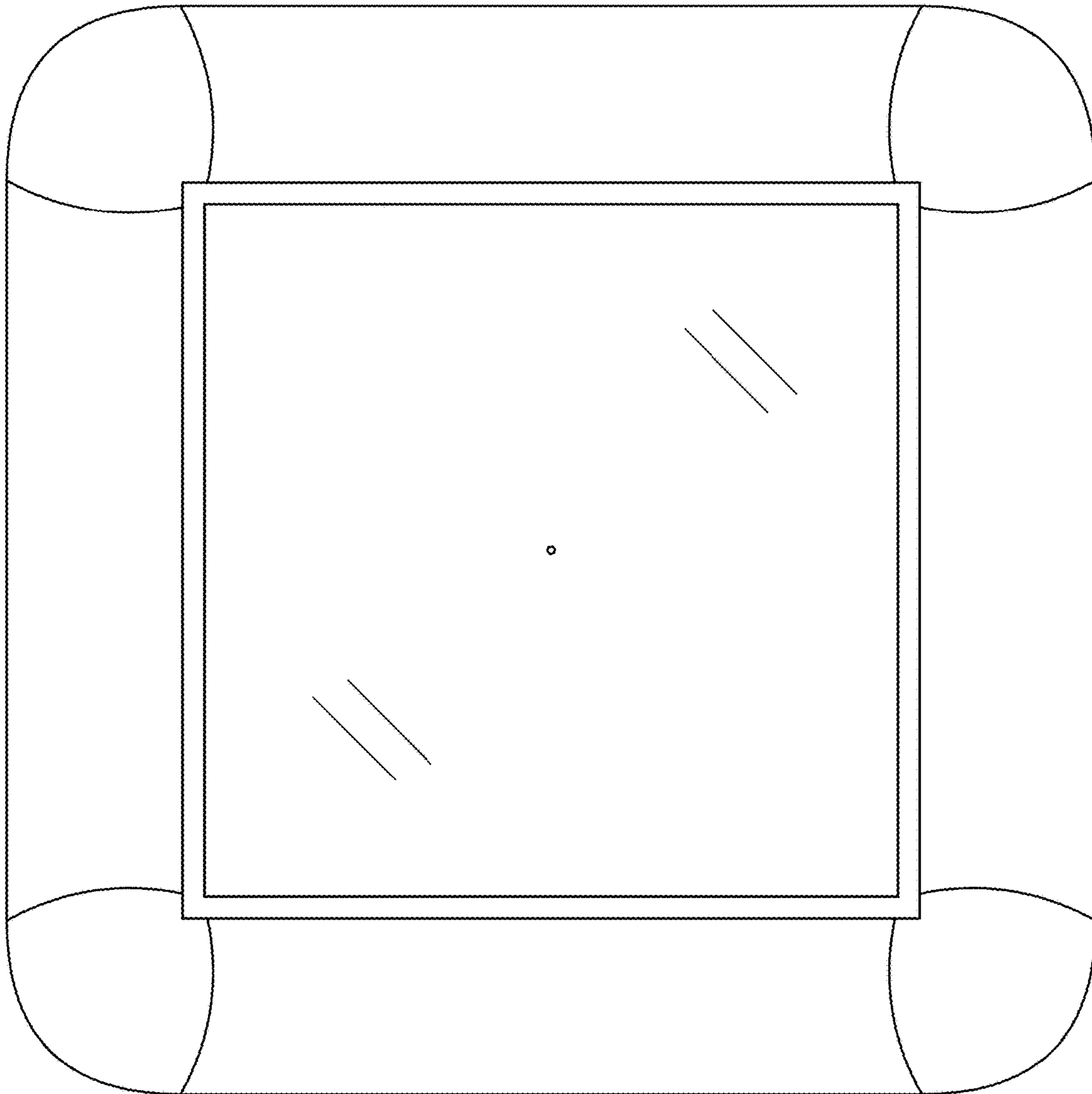


Figure 1

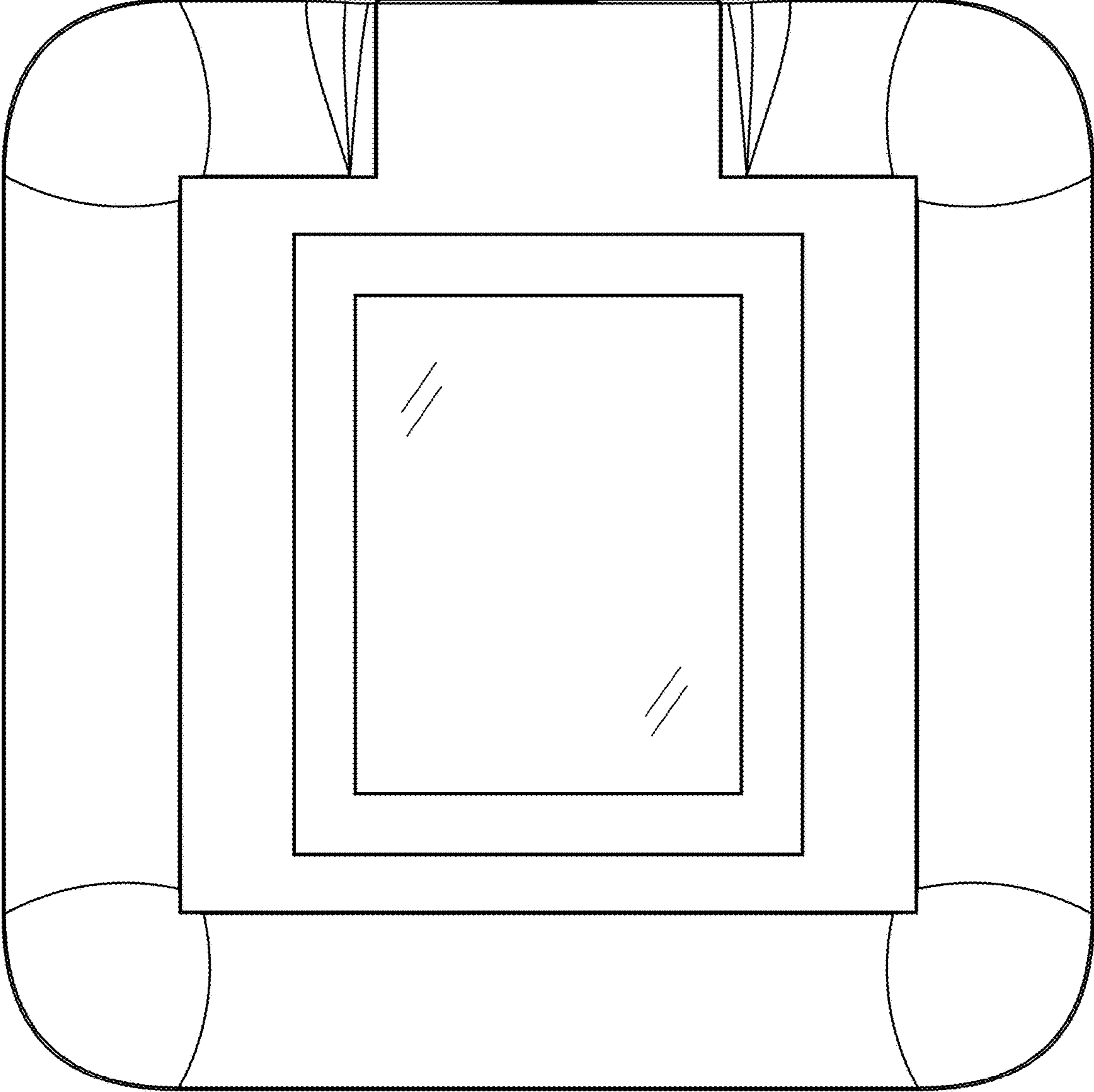


Figure 2

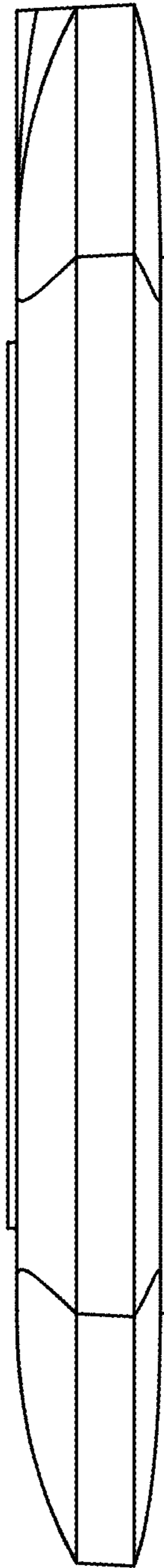


Figure 3

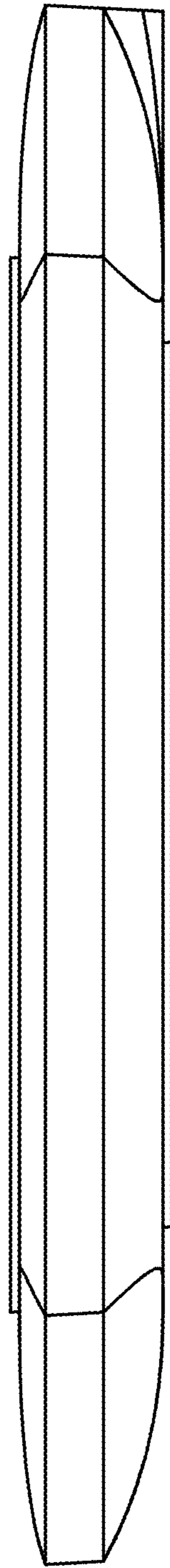


Figure 4

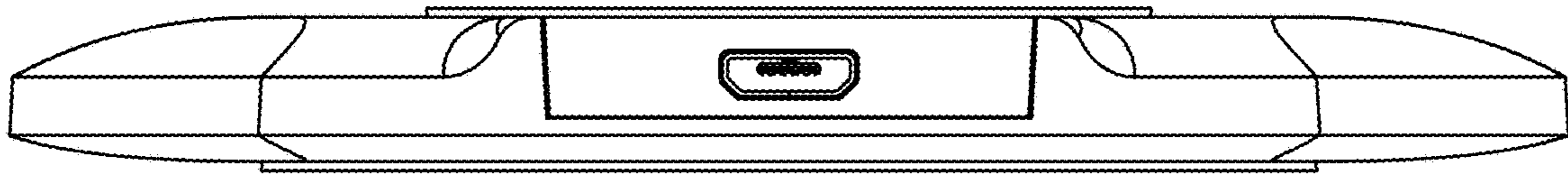


Figure 5

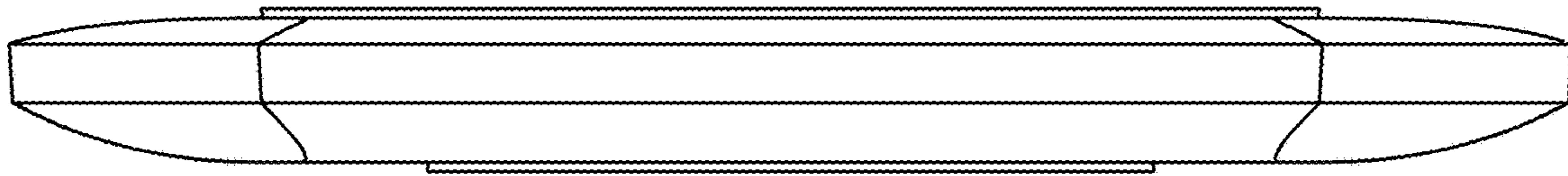


Figure 6

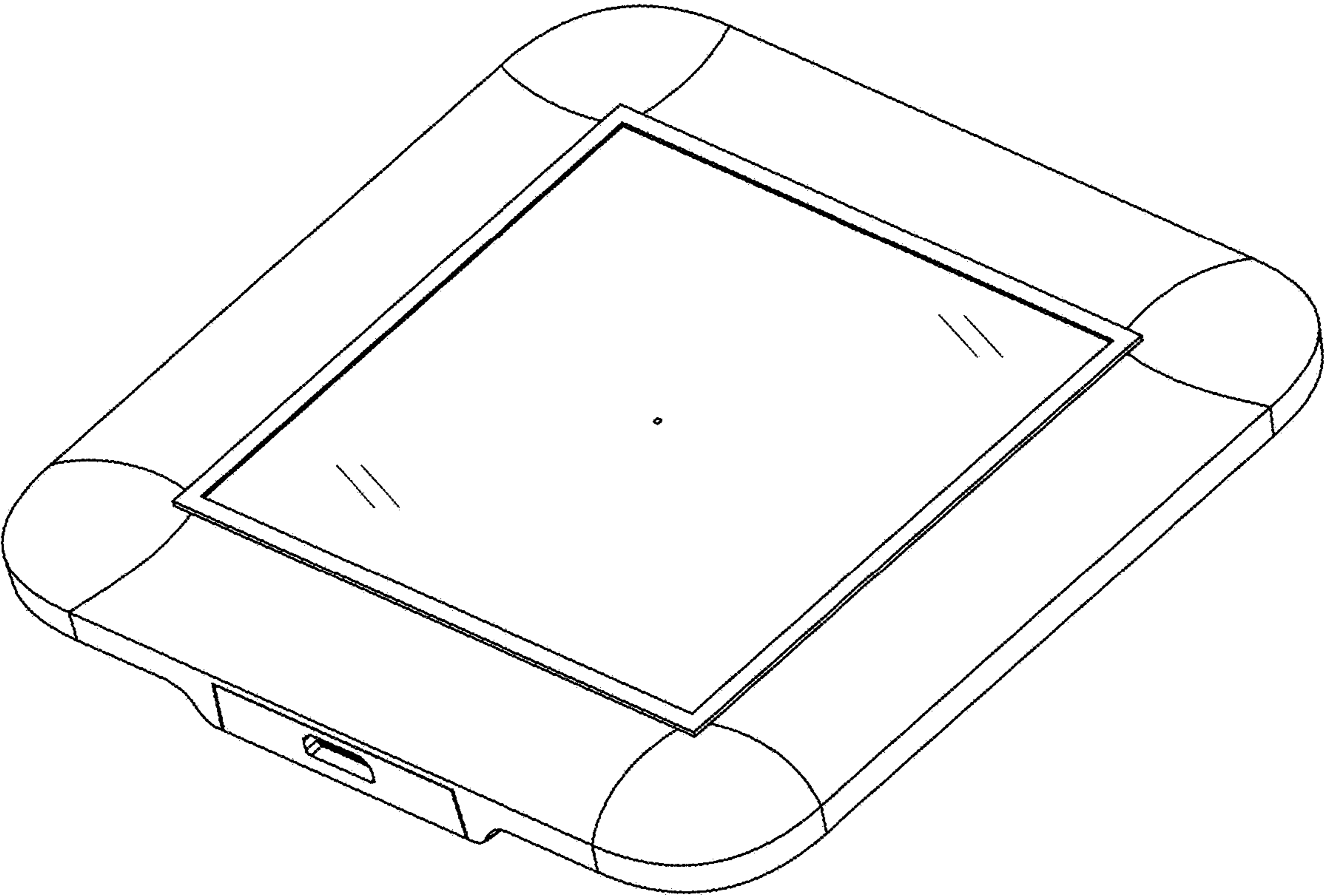


Figure 7

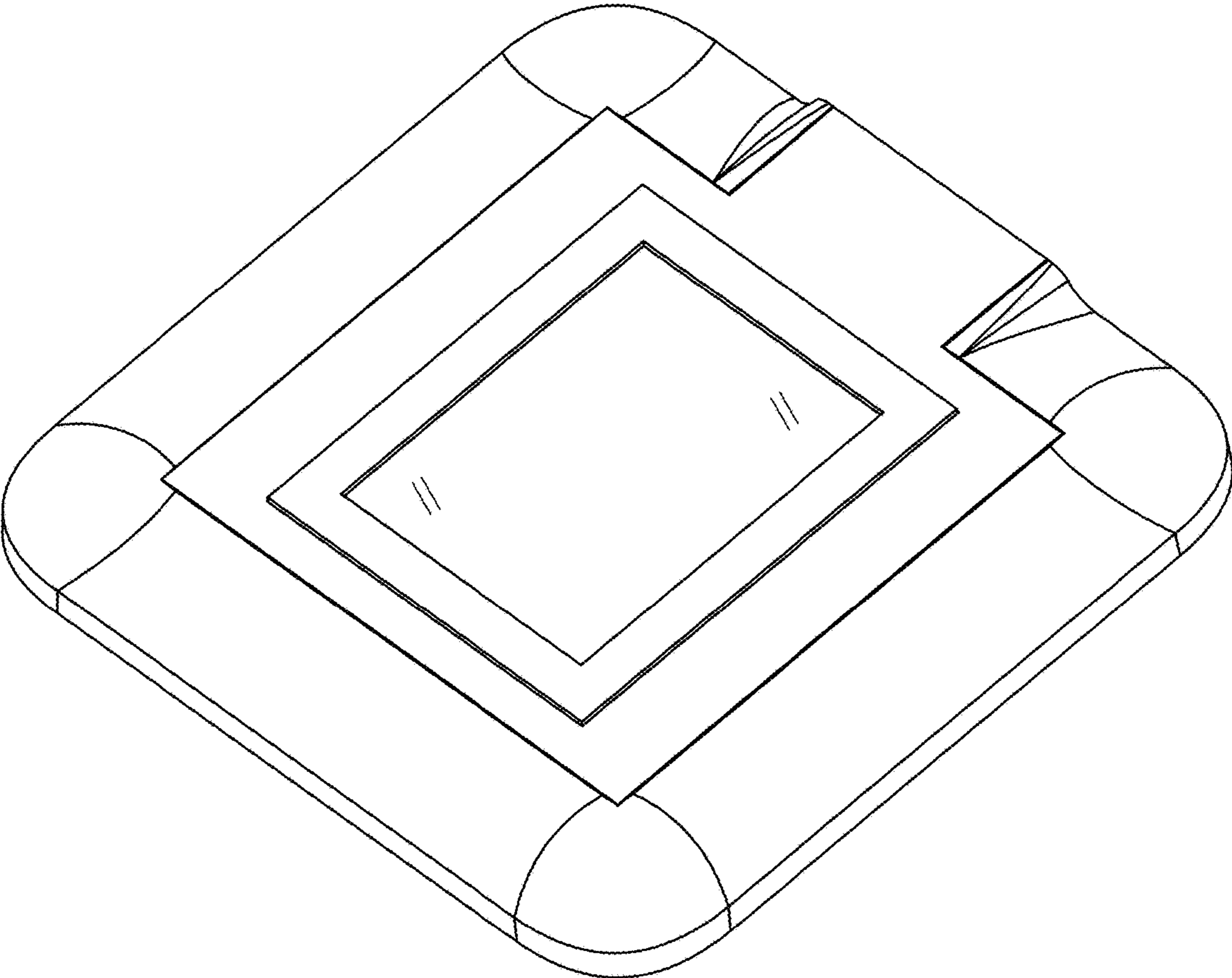


Figure 8