



US00D782973S

(12) **United States Design Patent** (10) **Patent No.:** **US D782,973 S**
Zhou (45) **Date of Patent:** **** Apr. 4, 2017**

(54) **WIRELESS CHARGER**

(71) Applicant: **BlueSmart Technology Corporation,**
Mountain View, CA (US)

(72) Inventor: **Dengping Zhou,** Hubei (CN)

(73) Assignee: **BlueSmart Technology Corporation,**
Mountain View, CA (US)

(**) Term: **14 Years**

(21) Appl. No.: **29/521,069**

(22) Filed: **Mar. 19, 2015**

(51) **LOC (10) Cl.** **13-02**

(52) **U.S. Cl.**
USPC **D13/108**

(58) **Field of Classification Search**
USPC D13/107–110, 118–119, 184; D14/251,
D14/253, 432, 434

(Continued)

(56) **References Cited**

U.S. PATENT DOCUMENTS

D620,884 S * 8/2010 Lee D13/108
D625,262 S * 10/2010 Lee D13/118

(Continued)

FOREIGN PATENT DOCUMENTS

KR 30-0706286 8/2013
KR 30-0808262 7/2015

OTHER PUBLICATIONS

Canadian Office Action, Canadian Application No. 164435, Mar. 15,
2016, 1 pages.

(Continued)

Primary Examiner — Rosemary K Tarcza
Assistant Examiner — Nathaniel D Buckner

(74) *Attorney, Agent, or Firm* — Fenwick & West LLP

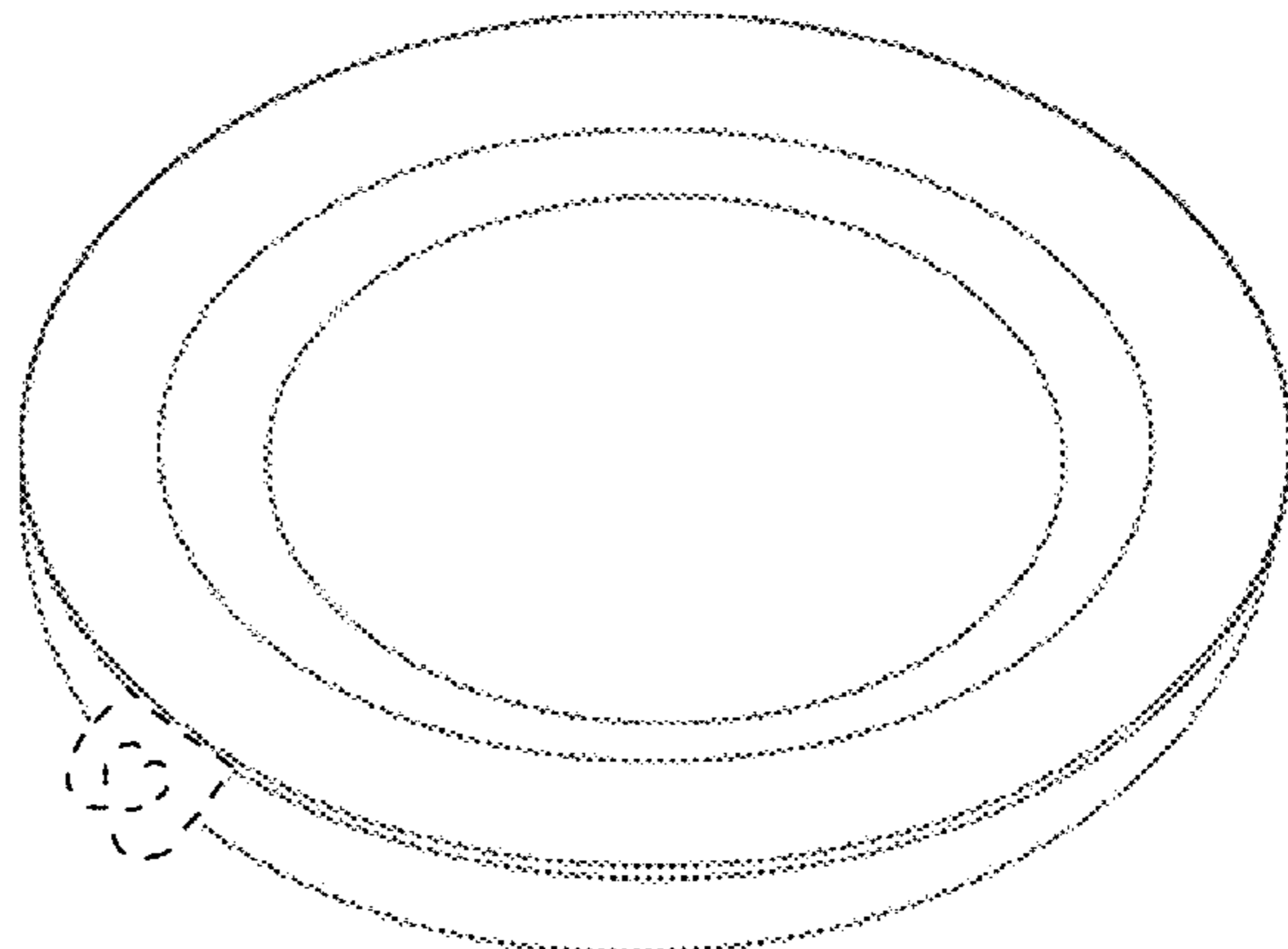
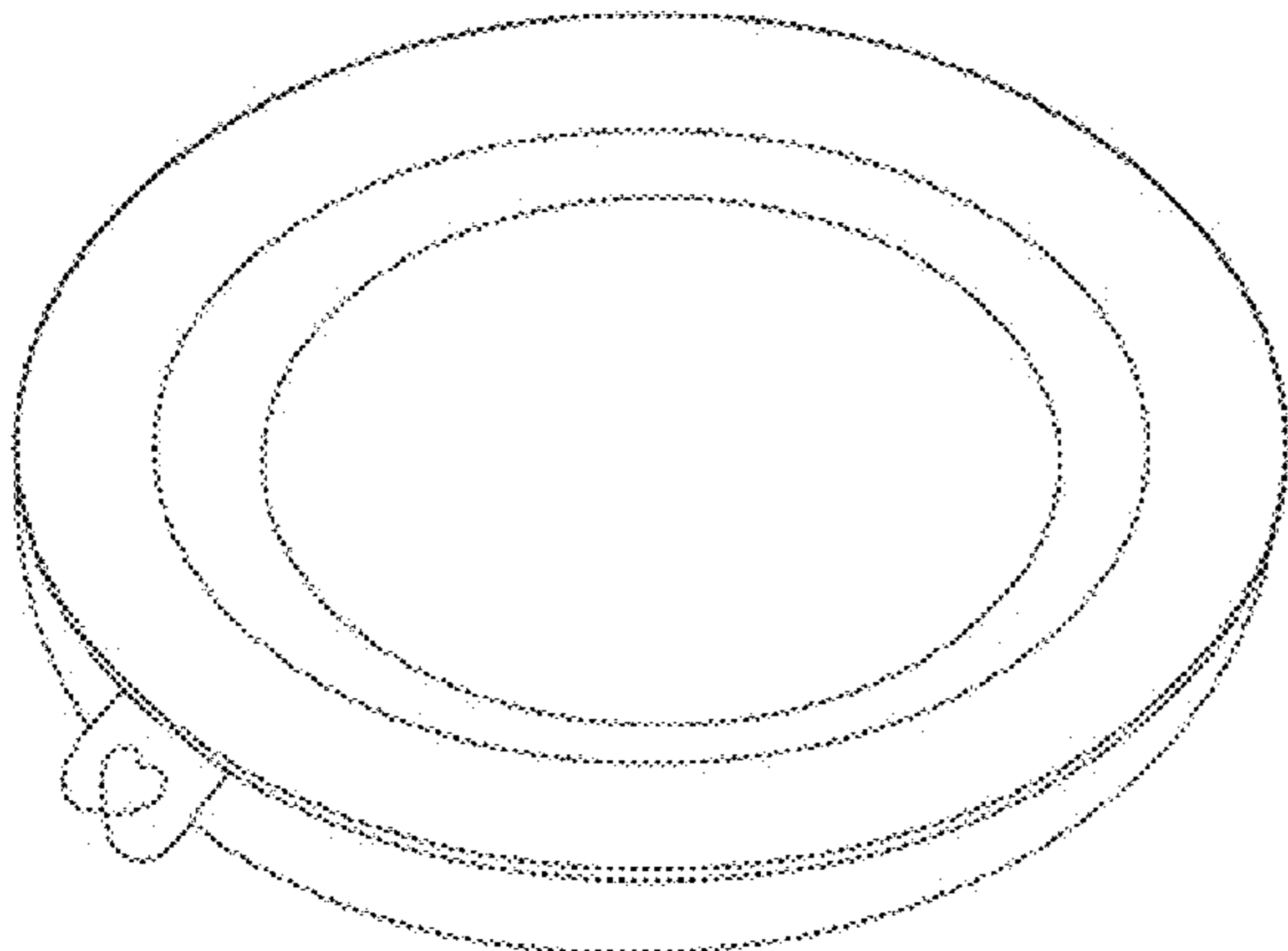
(57) **CLAIM**

The ornamental design for a wireless charger, as shown and described.

DESCRIPTION

FIG. 1 is a perspective view of a first embodiment of a wireless charger;
FIG. 2 is a top plan view of the first embodiment of the wireless charger;
FIG. 3 is a bottom plan view of the first embodiment of the wireless charger;
FIG. 4 is a front view of the first embodiment of the wireless charger;
FIG. 5 is a rear view of the first embodiment of the wireless charger;
FIG. 6 is a left side view of the first embodiment of the wireless charger;
FIG. 7 is a right side view of the first embodiment of the wireless charger;
FIG. 8 is a perspective view of a second embodiment of a wireless charger;
FIG. 9 is a top plan view of the second embodiment of the wireless charger;
FIG. 10 is a bottom plan view of the second embodiment of the wireless charger;
FIG. 11 is a front view of the second embodiment of the wireless charger;
FIG. 12 is a rear view of the second embodiment of the wireless charger;
FIG. 13 is a left side view of the second embodiment of the wireless charger; and,
FIG. 14 is a right side view of the second embodiment of the wireless charger.
The broken lines in the drawings showing portions of the wireless charger are included for the purpose of illustrating environmental structure and form no part of the claimed design.

1 Claim, 14 Drawing Sheets



(58) **Field of Classification Search**
 CPC Y02E 60/12; Y02T 90/14; Y02T 90/122;
 Y02T 90/128; Y02T 90/163; H02J 7/025;
 H02J 7/0042; H02J 7/0044; H02J 7/0045;
 H02J 7/0003; H01F 38/14; H01R
 13/6675; H01M 2/1022; H01M 2/1055;
 H01M 10/44; H01M 10/46; H01M
 10/425; B60L 11/182
 See application file for complete search history.

(56) **References Cited**

U.S. PATENT DOCUMENTS

D636,724 S * 4/2011 Nomi D13/108
 D654,431 S * 2/2012 Stephanchick D13/108
 D654,866 S * 2/2012 Rautiainen D13/108
 D668,605 S * 10/2012 Park D13/108
 D694,182 S * 11/2013 Lee D13/108
 D694,707 S * 12/2013 Zeng D13/108
 D696,190 S * 12/2013 Brandtman D13/108
 D697,027 S * 1/2014 Ho D13/108
 D718,233 S * 11/2014 Aumiller D13/108
 D718,236 S * 11/2014 Murray D13/108
 D719,146 S * 12/2014 Herbst D14/253
 D720,288 S * 12/2014 Ko D13/108

D720,289 S * 12/2014 Chiang D13/108
 D725,034 S * 3/2015 Chen D13/108
 D727,260 S * 4/2015 Aumiller D13/108
 D735,131 S * 7/2015 Akana D13/108
 D737,760 S * 9/2015 Kyriakoulis D13/108
 D738,303 S * 9/2015 Symons D13/108
 D740,750 S * 10/2015 Mayden D13/108
 D741,256 S * 10/2015 Murphy-Reinhertz D13/108
 D742,823 S * 11/2015 Nitz D13/103
 D746,772 S * 1/2016 Aumiller D13/108
 D747,267 S * 1/2016 Aumiller D13/108
 D748,575 S * 2/2016 Bulgarov D13/108
 D749,044 S * 2/2016 Huang D13/108
 D749,504 S * 2/2016 Jeong D13/108
 D752,051 S * 3/2016 Chen D14/434

OTHER PUBLICATIONS

Taiwan Office Action, Taiwan Application No. 104304983, Feb. 24,
 2016, 3 pages.
 Canadian Office Action, Canadian Application No. 164435, Dec. 22,
 2015, 2 pages.
 Japanese Office Action, Japanese Application No. 2015-020559,
 Jan. 8, 2016, 3 pages.

* cited by examiner

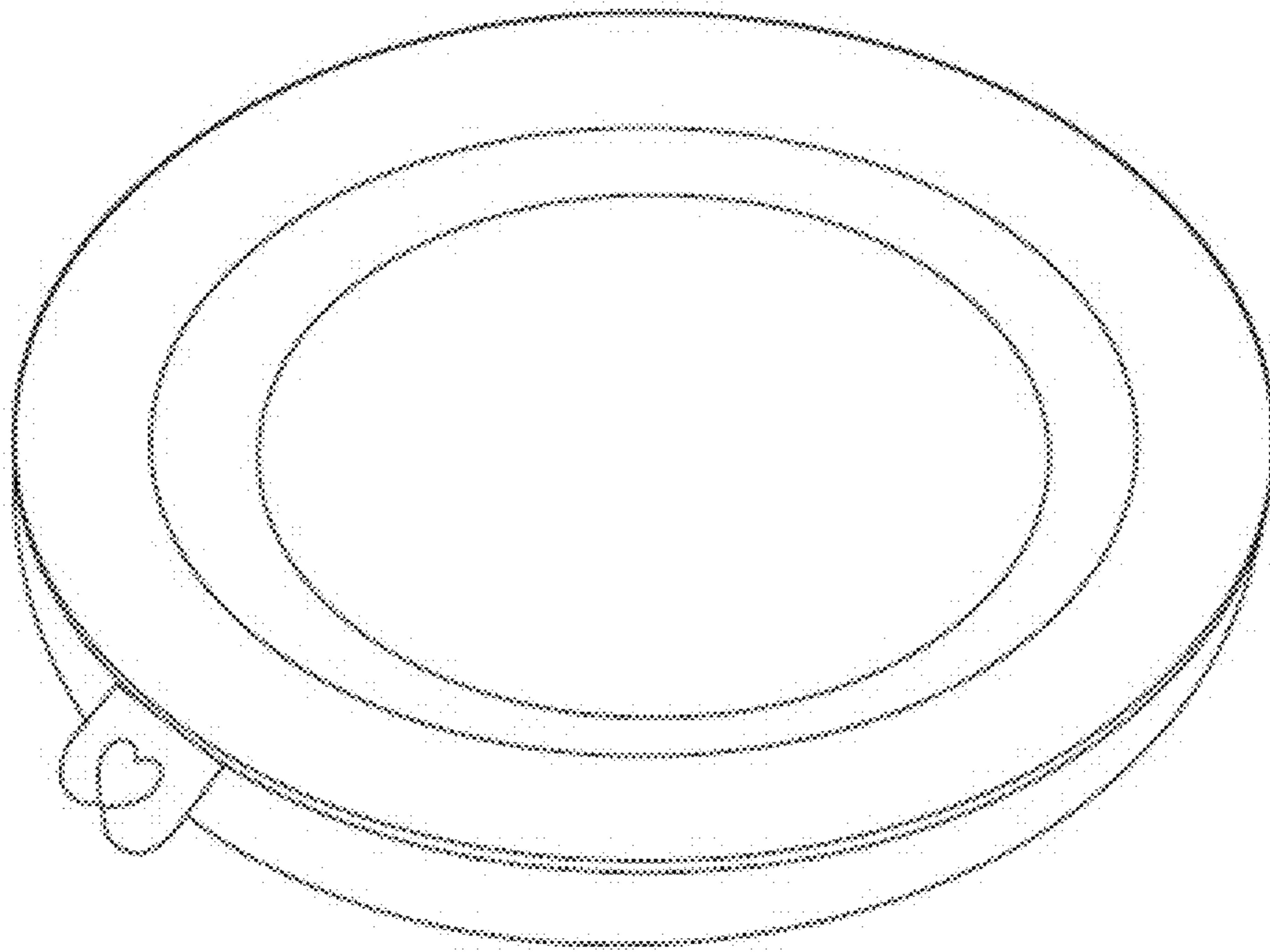


FIG. 1

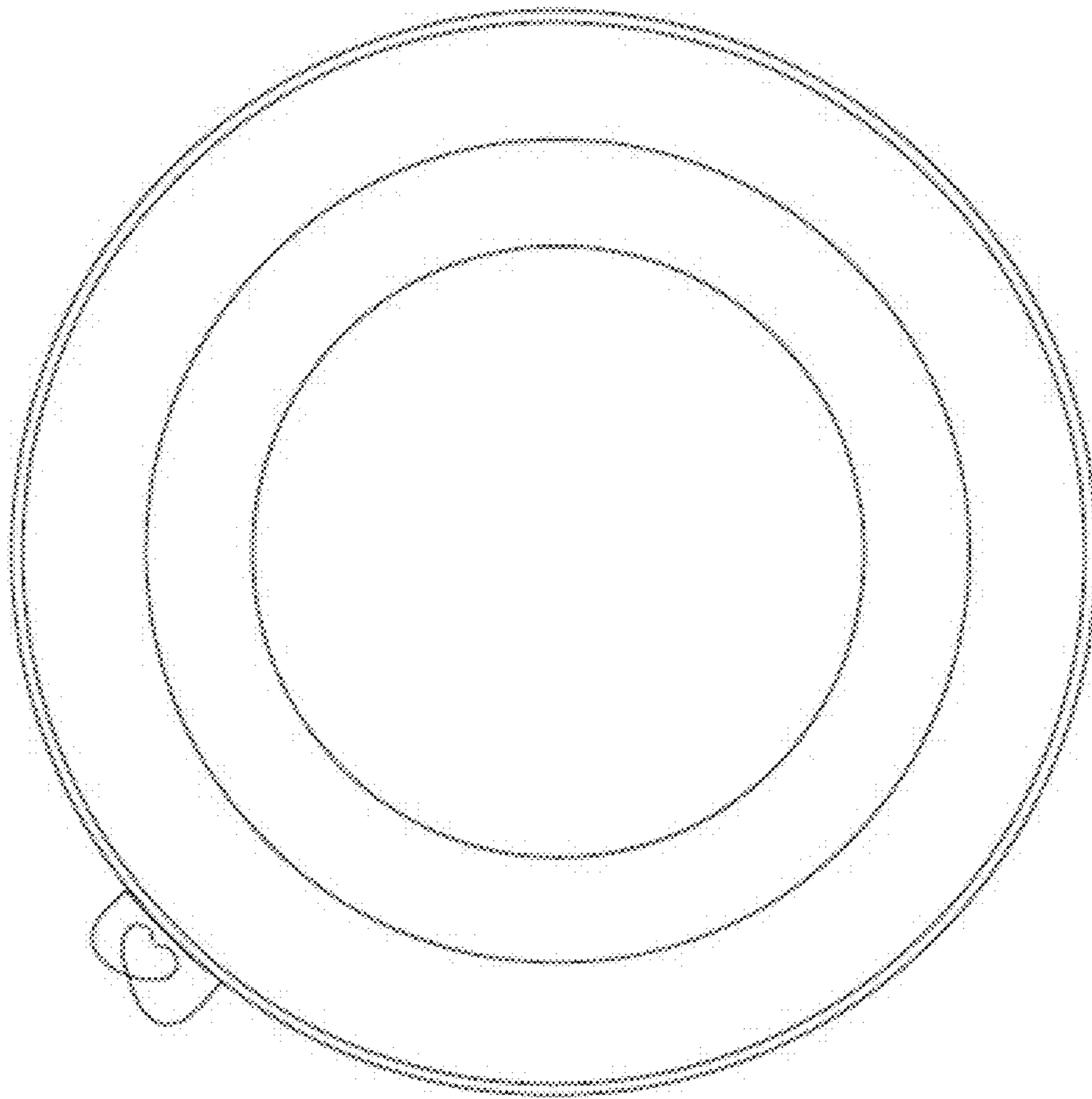


FIG. 2

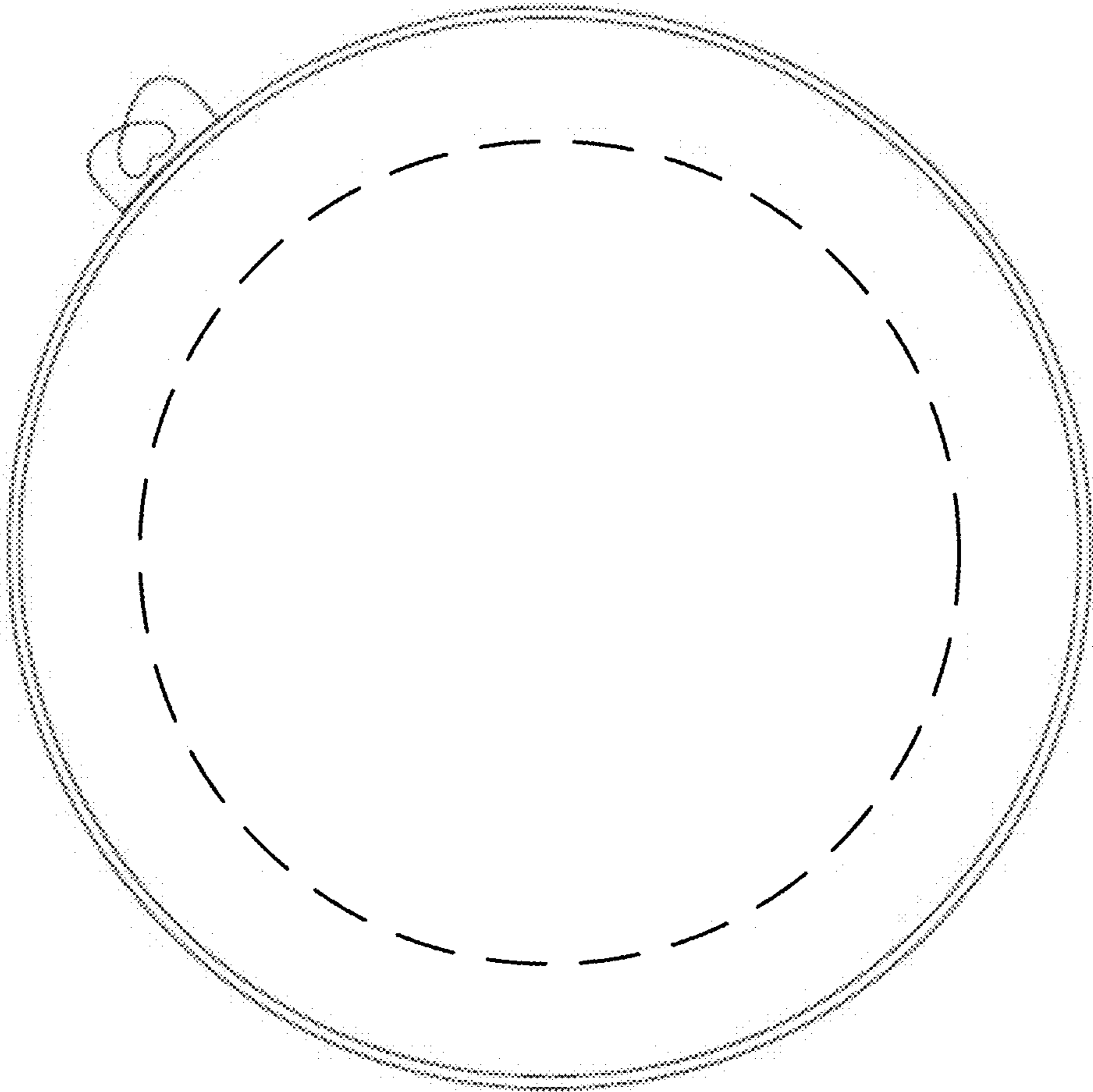


FIG. 3



FIG. 4

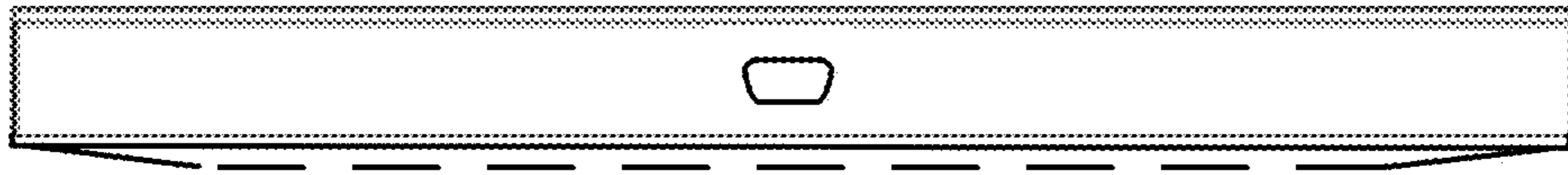


FIG. 5



FIG. 6



FIG. 7

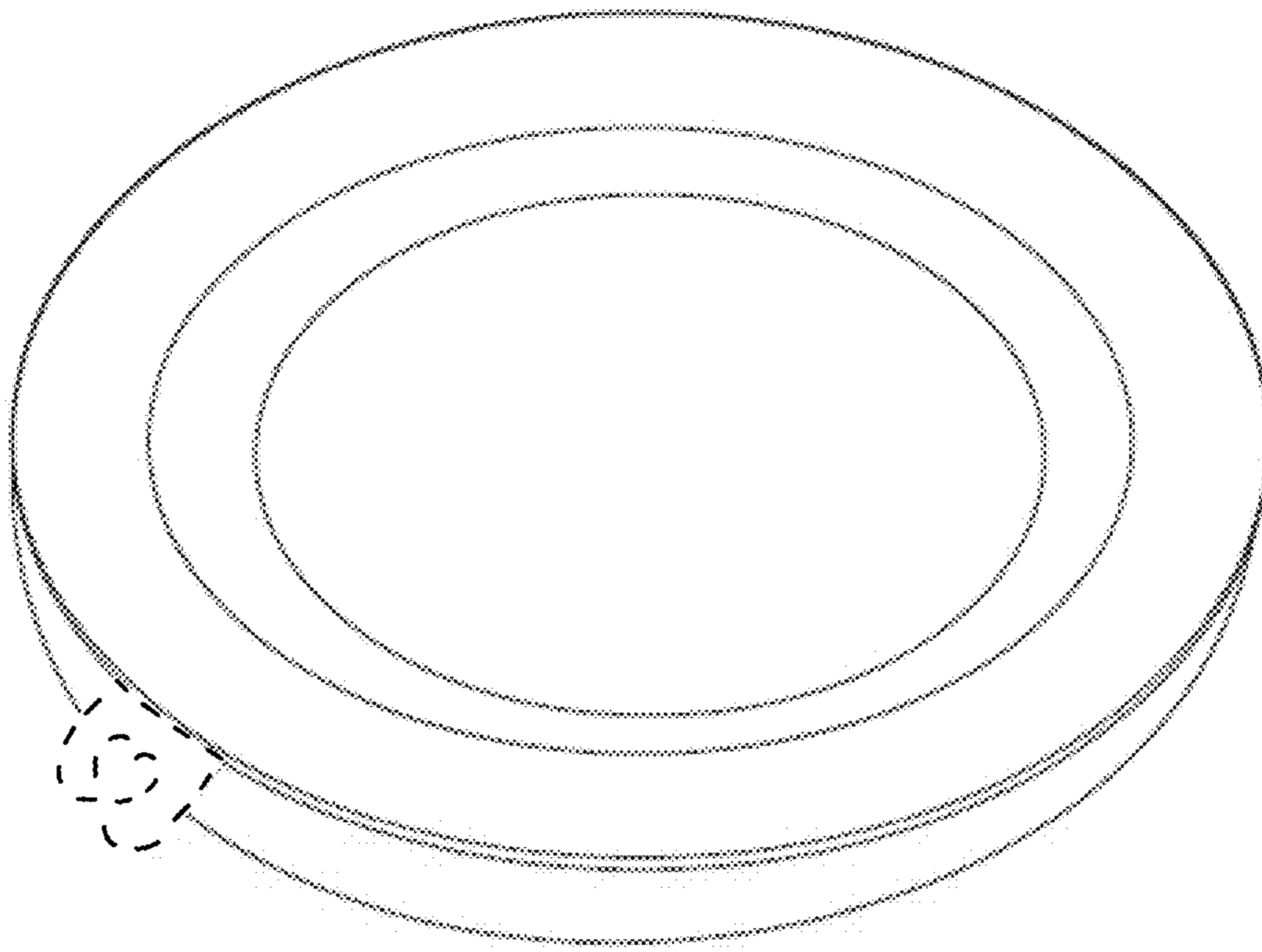


FIG. 8

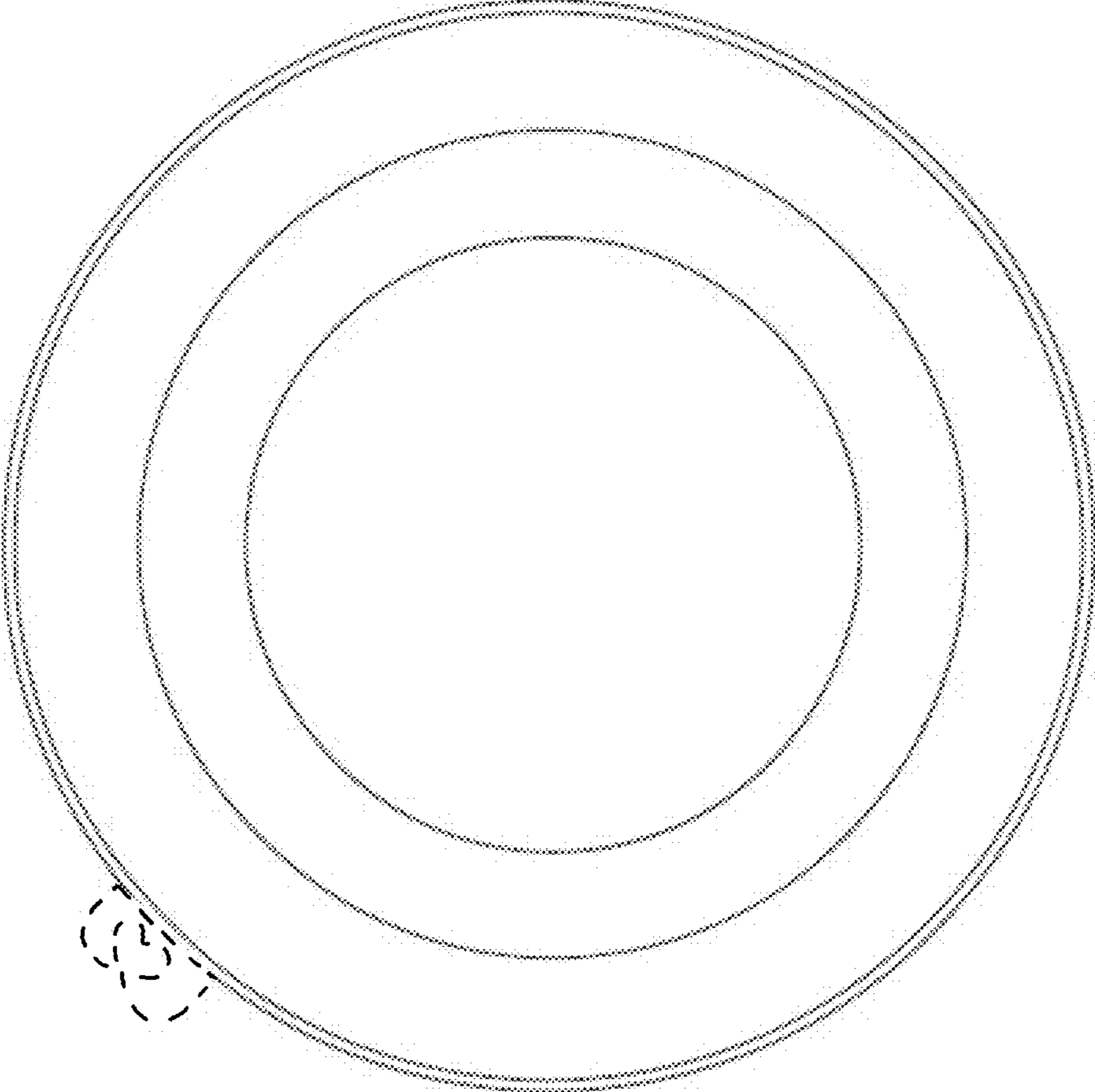


FIG. 9

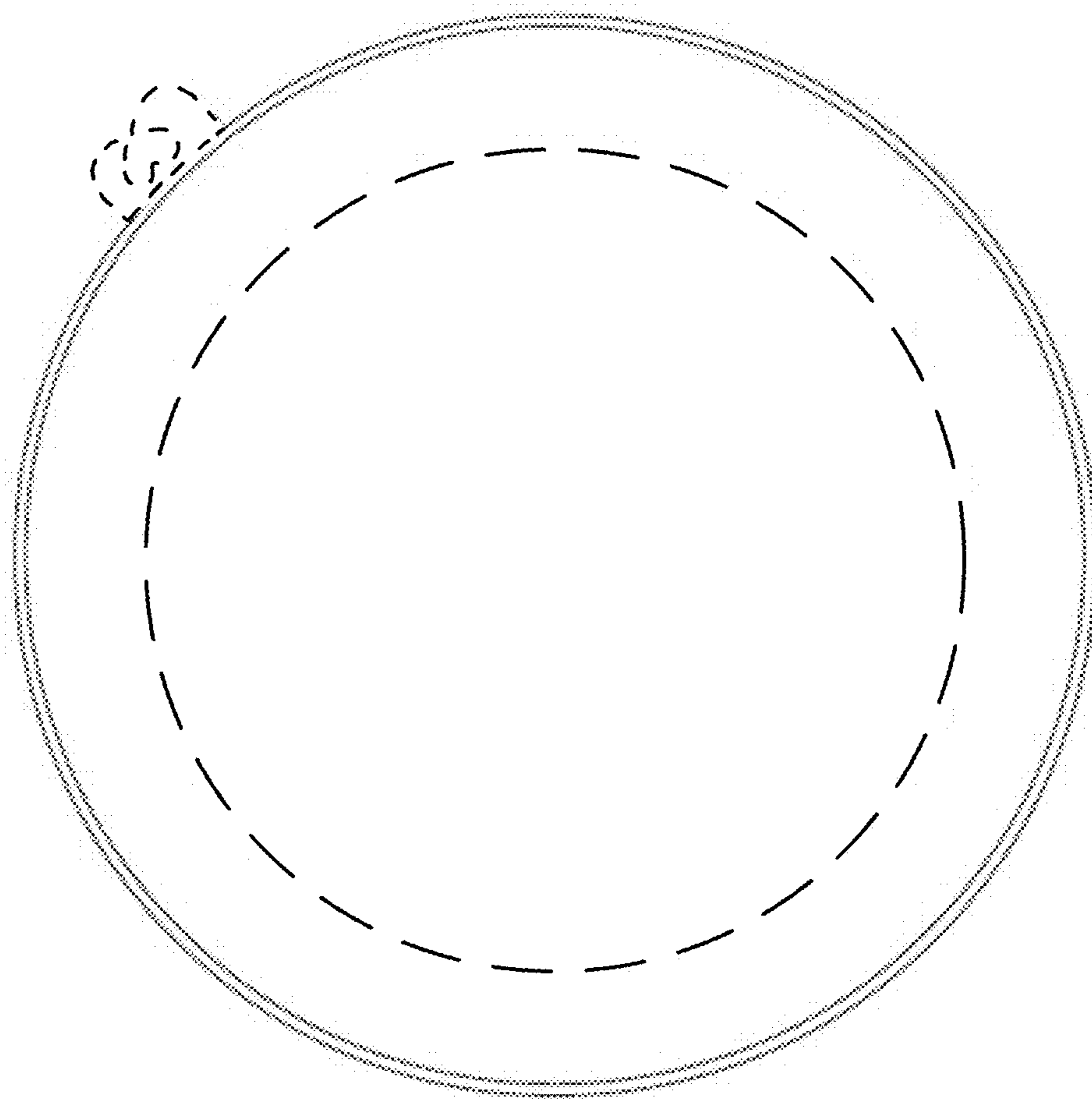


FIG. 10



FIG. 11



FIG. 12

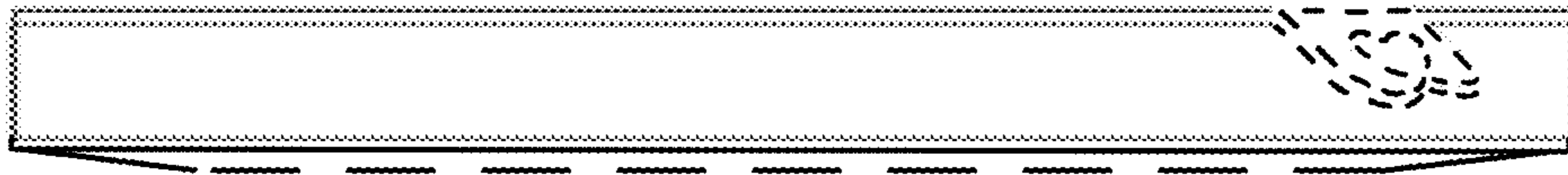


FIG. 13



FIG. 14