



US00D782972S

(12) **United States Design Patent** (10) **Patent No.:** **US D782,972 S**
Laurino et al. (45) **Date of Patent:** **** Apr. 4, 2017**

(54) **DETACHABLE POWER SUPPLY FOR DATA
LOGGER**

(71) Applicant: **Fluke Corporation**, Everett, WA (US)

(72) Inventors: **Ferdinand Y. Laurino**, Seattle, WA
(US); **Matthew Bannister**, Lake
Stevens, WA (US)

(73) Assignee: **Fluke Corporation**, Everett, WA (US)

(**) Term: **14 Years**

(21) Appl. No.: **29/523,201**

(22) Filed: **Apr. 7, 2015**

Related U.S. Application Data

(62) Division of application No. 29/441,514, filed on Jan.
7, 2013, now Pat. No. Des. 726,647.

(51) **LOC (10) Cl.** **13-02**

(52) **U.S. Cl.**
USPC **D13/103**

(58) **Field of Classification Search**
USPC D10/65, 78, 104, 104.1, 105.1, 106.1;
D13/73, 103, 108, 110, 139.1-139.7, 147,
D13/158, 171, 184, 199; D14/100, 106,
D14/107, 114, 138 G, 155, 168, 188,
D14/203.3, 217, 240, 242
CPC H01M 2/1055
See application file for complete search history.

(56) **References Cited**

U.S. PATENT DOCUMENTS

D303,524 S 9/1989 Siegner
D358,380 S 5/1995 Sakaguchi
D384,936 S * 10/1997 Liebler D13/103
D409,562 S * 5/1999 Johansson D13/103
D430,106 S 8/2000 Lee
D439,879 S 4/2001 Rotundo

(Continued)

FOREIGN PATENT DOCUMENTS

DE WOD042733-001 3/1998
EM 001941386-0004 11/2011
EM 001980780-0003 1/2012

OTHER PUBLICATIONS

“Two Way Radio Battery Walkie Talkie Battery Rechargeable
Battery Battery Pack BM4000 for Motorola GP68/GP63,” <<http://sell.pakuya.com/product-info/205938/Two-way-radio-battery-walkie-talkie-battery-rechargeable-battery-battery-pack-BM4000-for-Motorola-GP68/GP63>> [retrieved Feb. 3, 2014], 1 page.

(Continued)

Primary Examiner — Deanna L Pratt

(74) *Attorney, Agent, or Firm* — Seed IP Law Group LLP

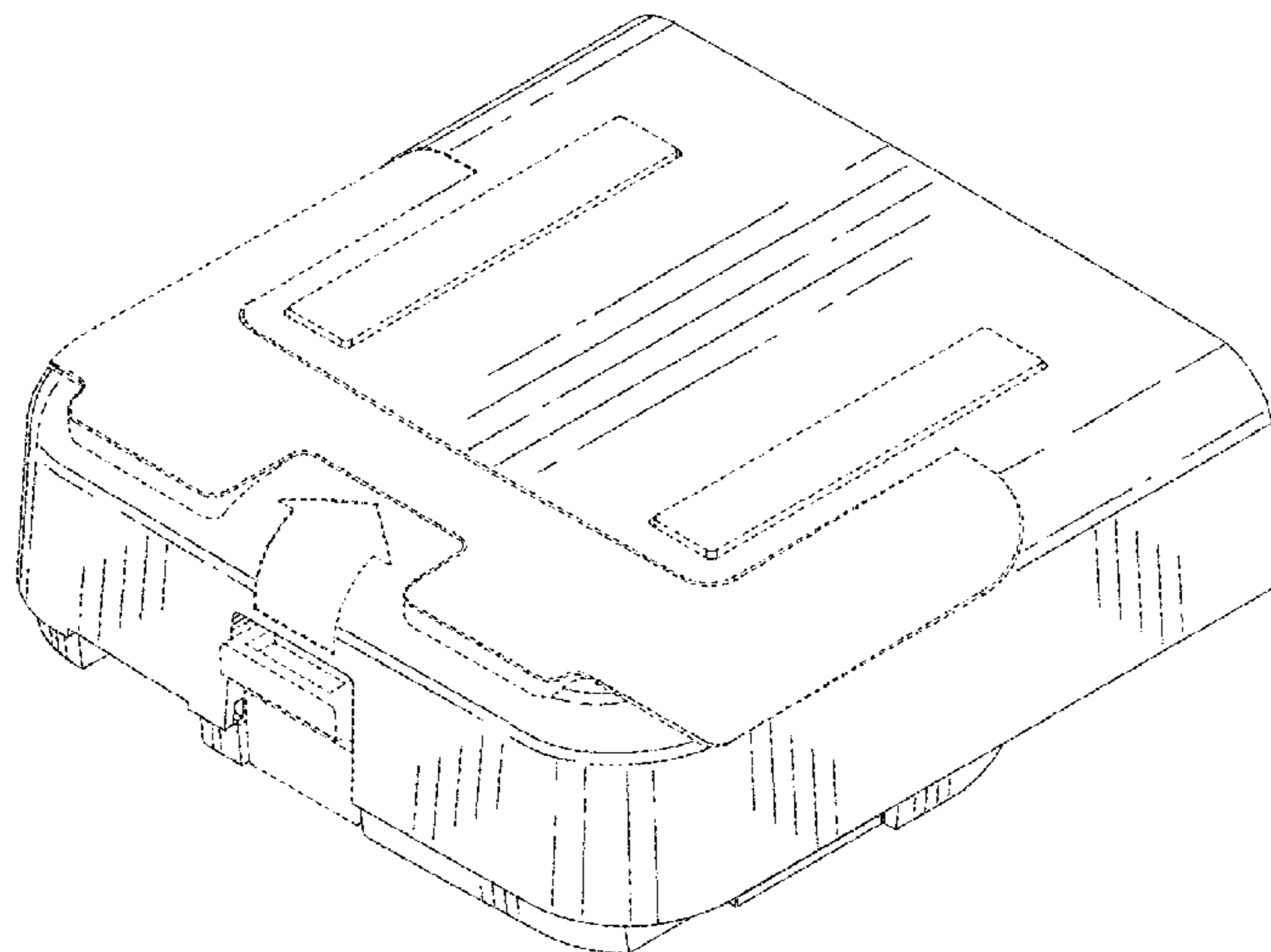
(57) **CLAIM**

The ornamental design for a detachable power supply for
data logger, as shown and described.

DESCRIPTION

FIG. 1 is a front top perspective view of a detachable power
supply for data logger.
FIG. 2 is a front bottom perspective view thereof.
FIG. 3 is a back bottom perspective view thereof.
FIG. 4 is a back elevation view thereof.
FIG. 5 is a front elevation view thereof.
FIG. 6 is a top plan view thereof.
FIG. 7 is a bottom plan view thereof.
FIG. 8 is a right side elevation view thereof; and,
FIG. 9 is a left side elevation view thereof.
The broken lines in the drawings illustrate portions of the
detachable power supply for data logger that form no part of
the claimed design.

1 Claim, 7 Drawing Sheets



(56)

References Cited

U.S. PATENT DOCUMENTS

D478,041	S	8/2003	Yang	
D490,370	S	5/2004	Picardo	
D495,992	S	9/2004	Lim	
D545,268	S	6/2007	Shiu	
D550,152	S	9/2007	Okuda	
D551,664	S *	9/2007	Lin	D14/341
D559,859	S *	1/2008	Kim	D14/129
D597,933	S	8/2009	Aglassinger	
D597,935	S	8/2009	Aglassinger	
D641,360	S	7/2011	Ledbetter	
D656,093	S	3/2012	Nomi	
D667,005	S	9/2012	Lutz	
D725,099	S *	3/2015	Neumann	D10/78
D725,591	S *	3/2015	Chien	D13/103
D726,047	S *	4/2015	Laurino	D10/78
D726,647	S *	4/2015	Laurino	D13/103
D750,986	S *	3/2016	Laurino	D10/78
D753,585	S *	4/2016	Harden	D13/103
D754,554	S *	4/2016	Richer	D10/78
D763,107	S *	8/2016	Nielsen	D10/30

OTHER PUBLICATIONS

“Wholesale Battery Pack—But 5* AA Radio Battery Shell for Motorola GP68 GP63 New J0258A,” <<http://www.dhgate.com/product/5-aa-radio-battery-pack-shell-for-motorola/152114767.html>> [retrieved Feb. 3, 2014], 1 page.

* cited by examiner

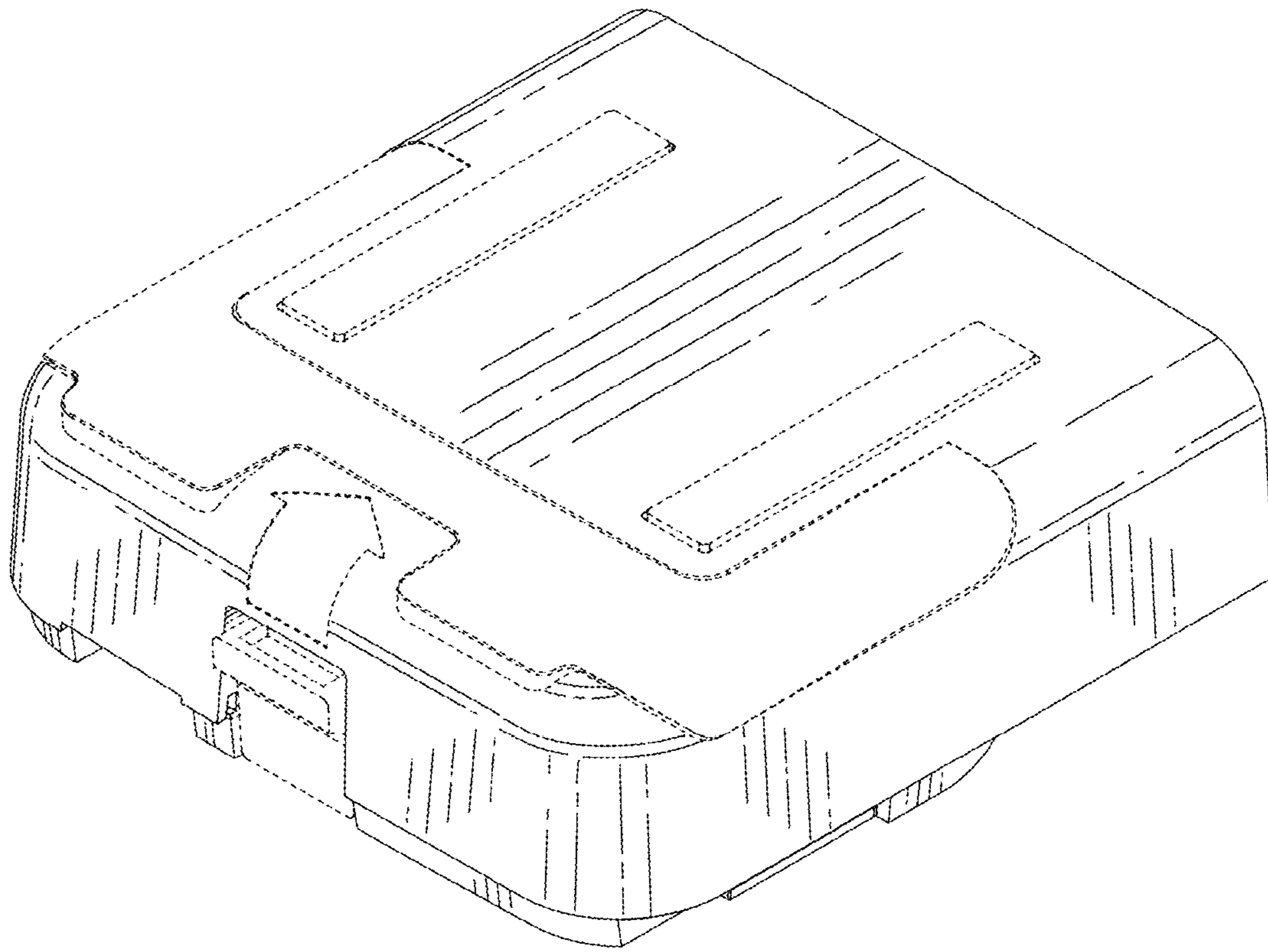


FIG. 1

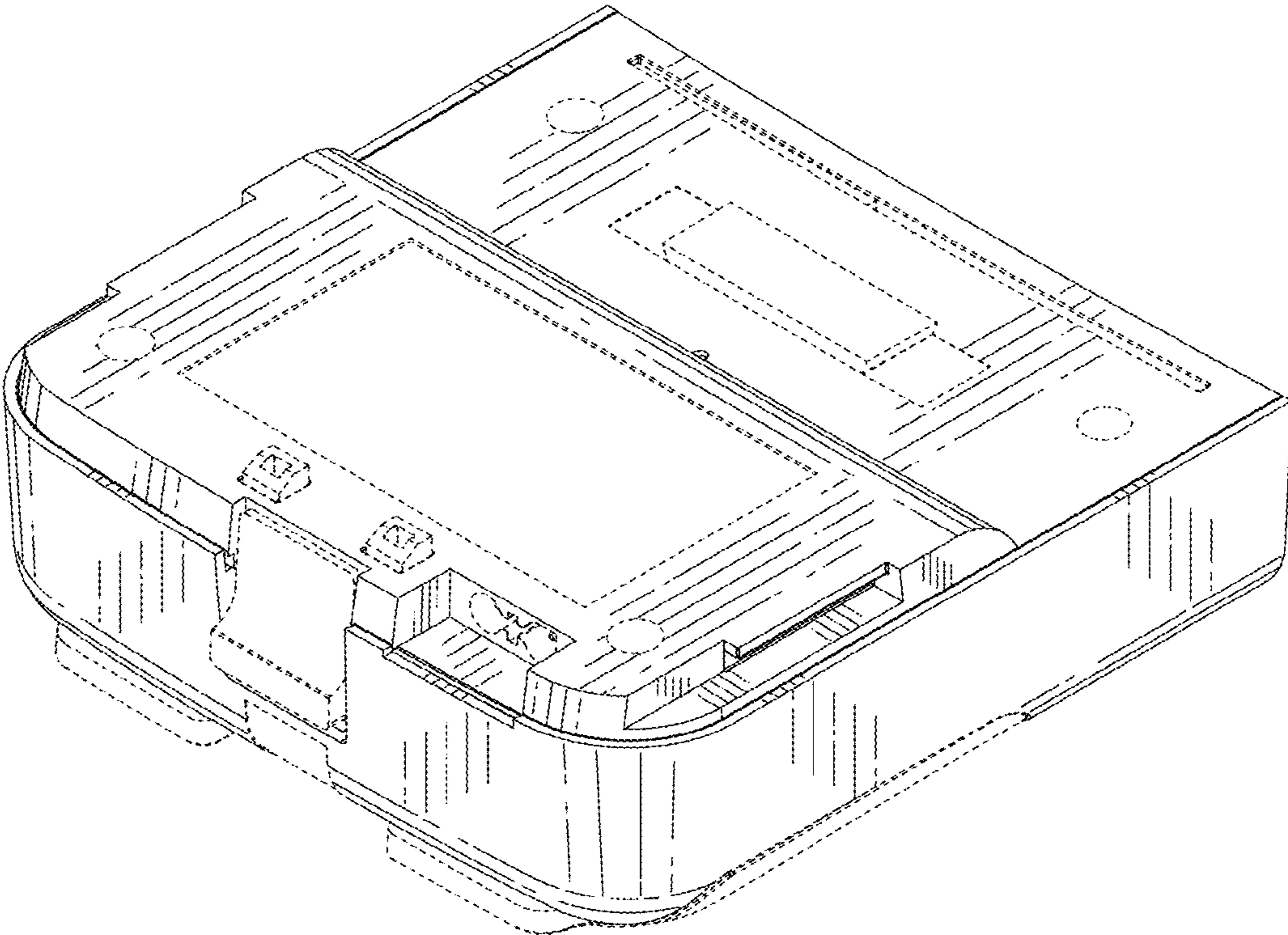


FIG. 2

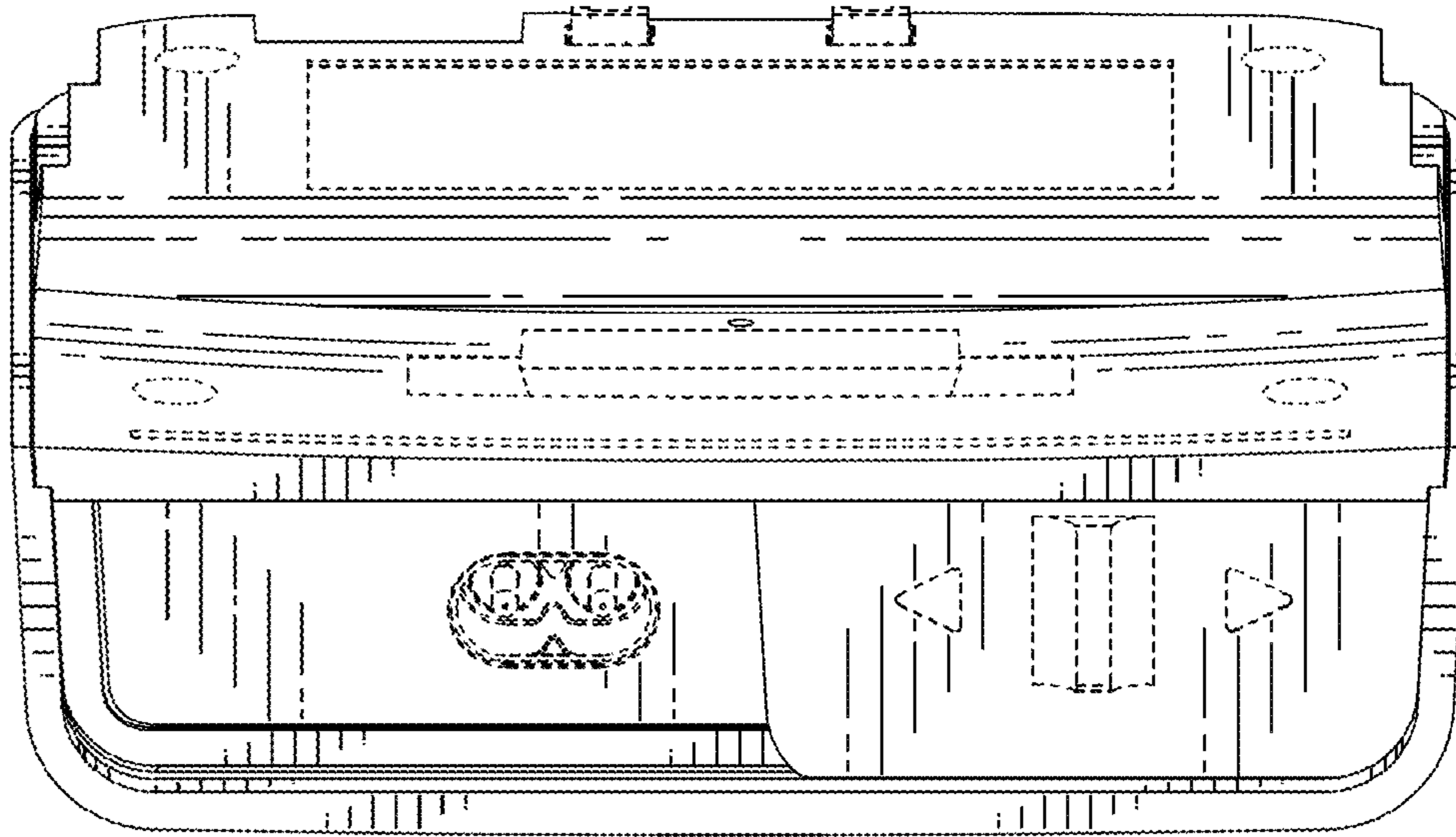


FIG. 3

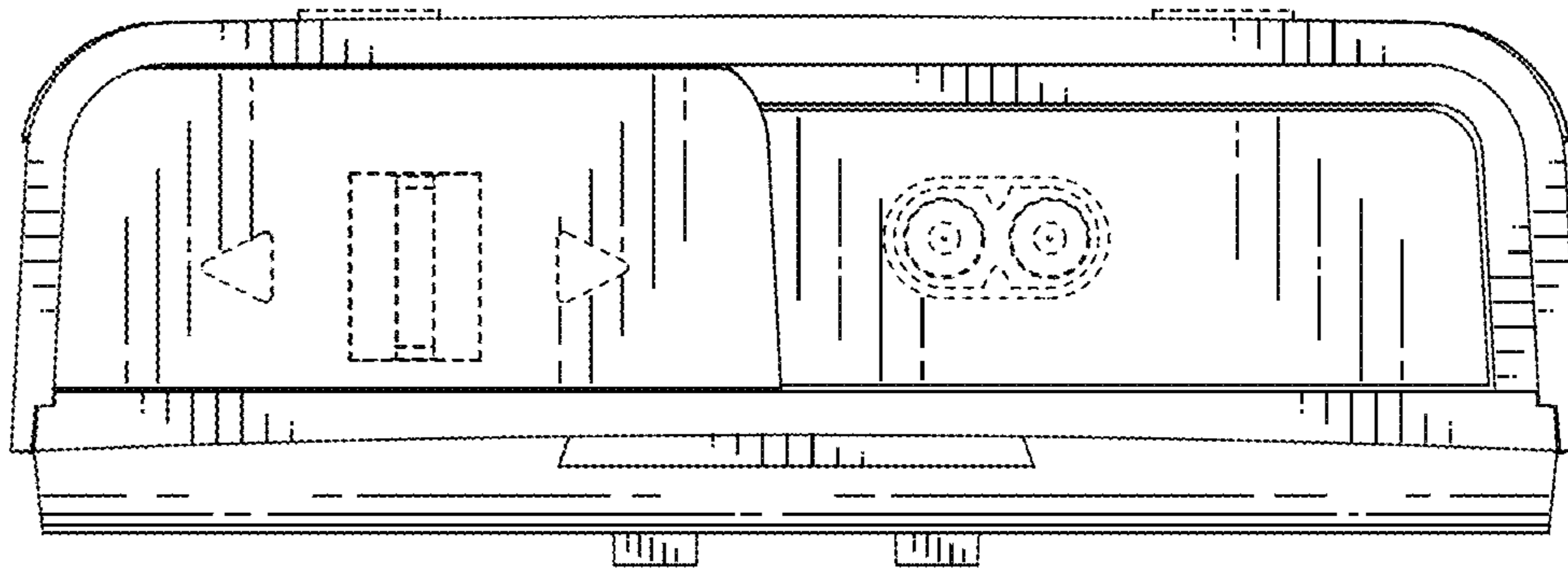


FIG. 4

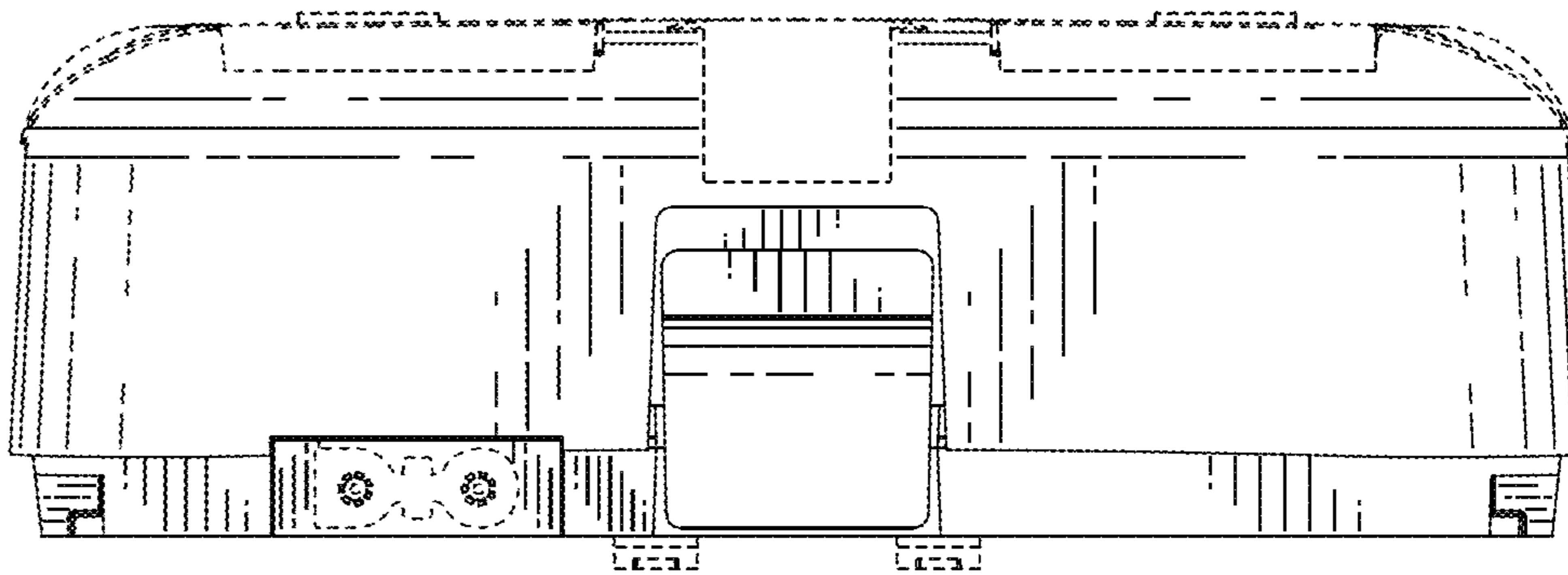


FIG. 5

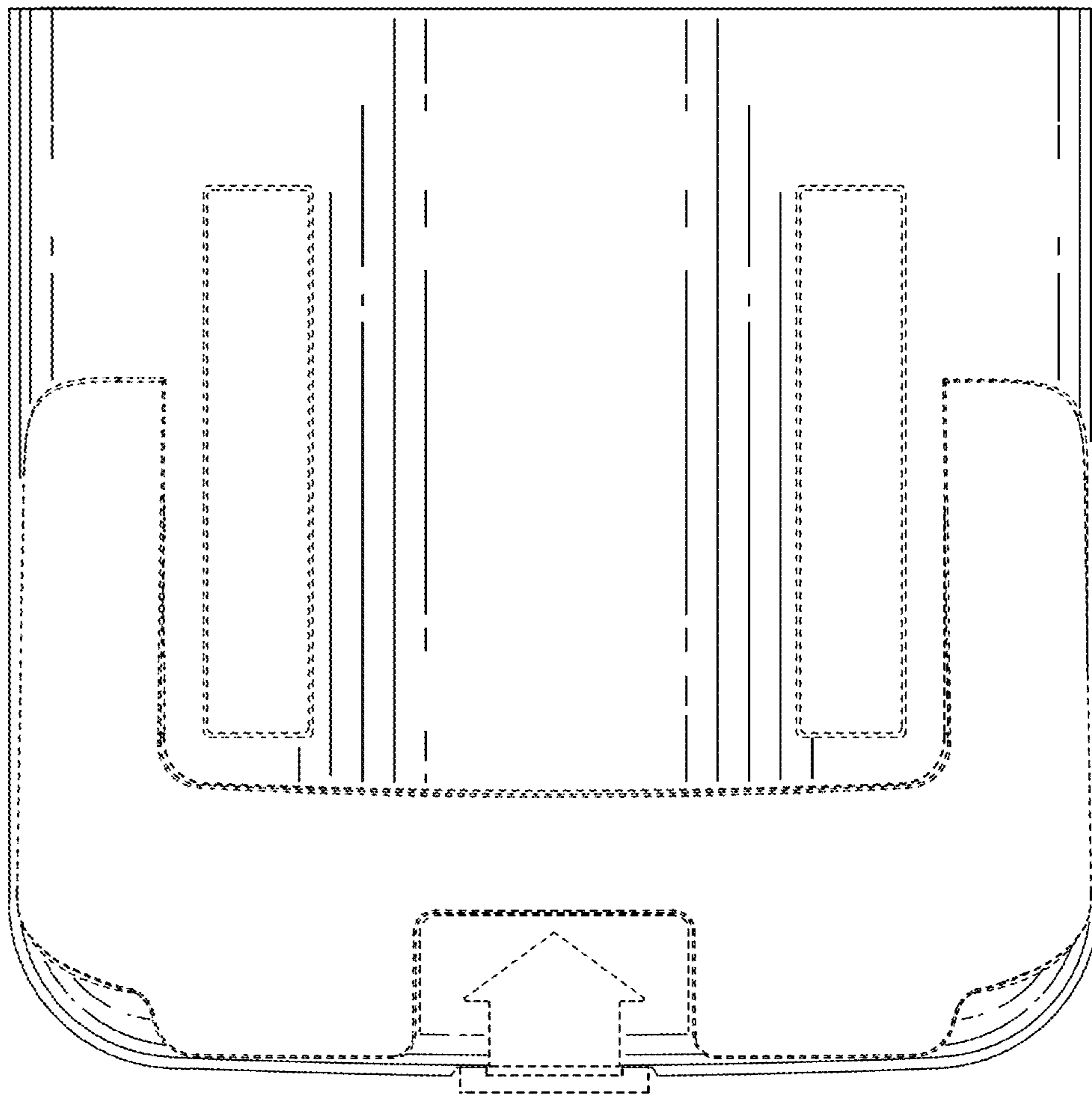


FIG. 6

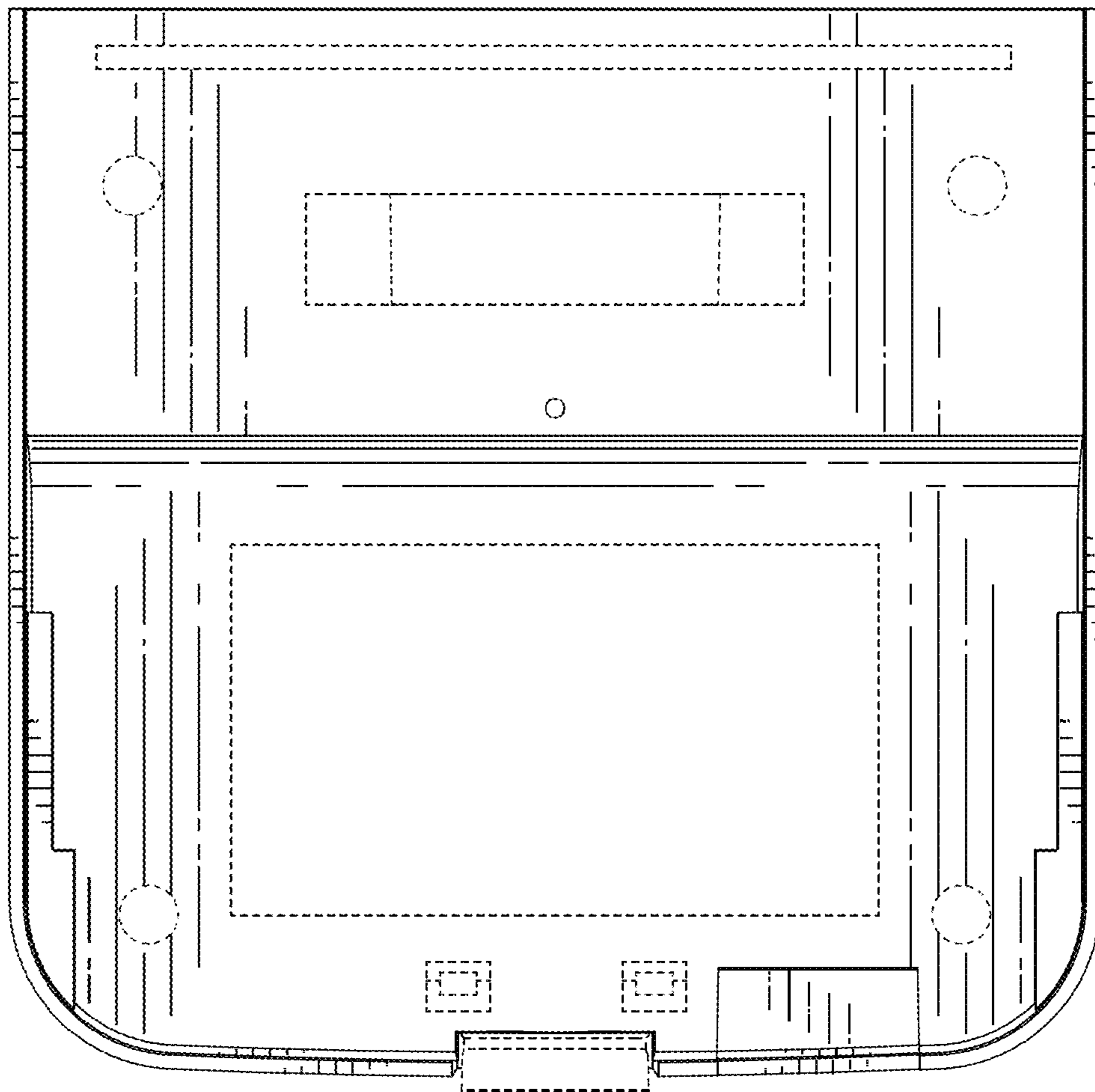


FIG. 7

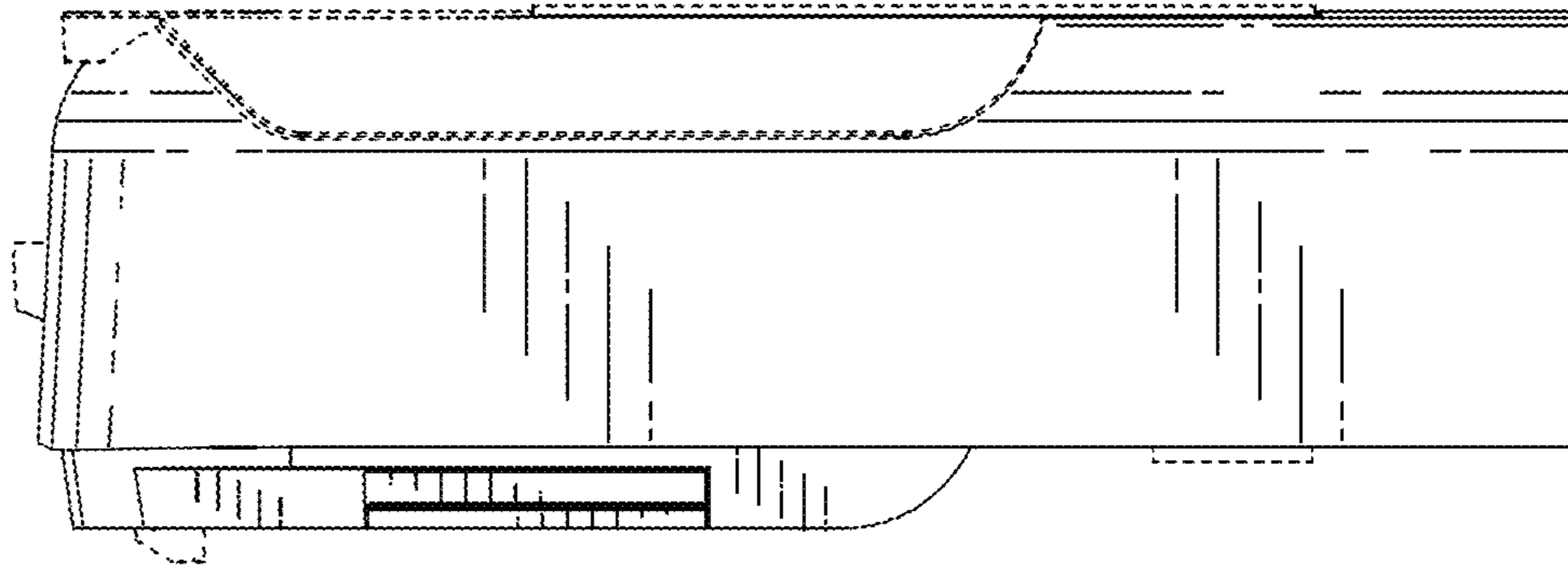


FIG. 8

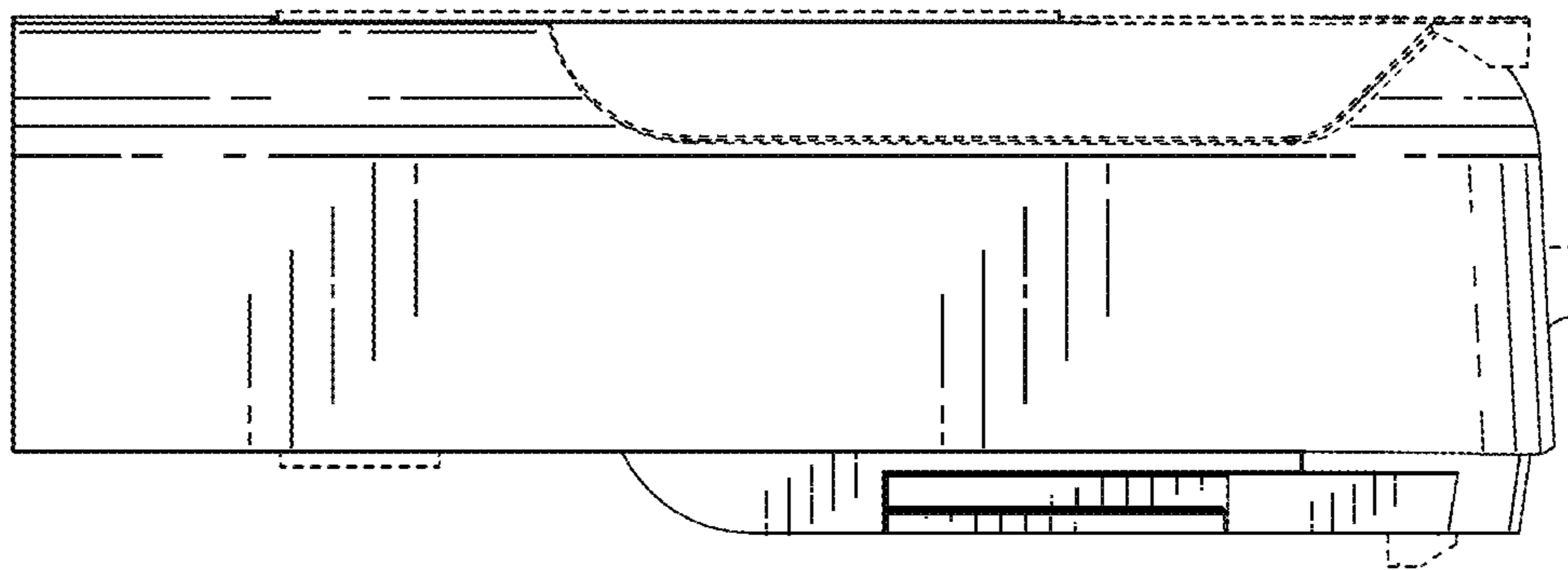


FIG. 9