



US00D782964S

(12) **United States Design Patent**
Fursthos et al.

(10) **Patent No.:** **US D782,964 S**

(45) **Date of Patent:** **** Apr. 4, 2017**

(54) **TIRE**

(71) Applicant: **The Goodyear Tire & Rubber Company, Akron, OH (US)**

(72) Inventors: **Julien Alexandre Fursthos, Basse Ham (FR); Bhathrapol Dhanasobhon, Luxembourg (LU); Jean-Marie Feller, Messancy (BE); Didier Winkin, Bastogne (BE)**

(73) Assignee: **The Goodyear Tire & Rubber Company, Akron, OH (US)**

(**) Term: **15 Years**

(21) Appl. No.: **29/546,784**

(22) Filed: **Nov. 25, 2015**

(51) **LOC (10) Cl.** **12-15**

(52) **U.S. Cl.**
USPC **D12/584**

(58) **Field of Classification Search**
USPC D12/517, 518, 521, 523, 582, 583, 584,
D12/585, 586, 587, 590, 900
CPC . B60C 11/03; B60C 11/0306; B60C 11/0344;
B60C 11/0346; B60C 11/04
See application file for complete search history.

(56) **References Cited**

U.S. PATENT DOCUMENTS

D370,439 S	6/1996	Feider et al.	D12/141
D448,707 S	10/2001	Maziarka et al.	D12/147
D451,860 S	12/2001	Schuster et al.	D12/147
D534,484 S	1/2007	Feider et al.	D12/584
D554,053 S	10/2007	Feider et al.	D12/588
D555,081 S	11/2007	Feider et al.	D12/588
D581,347 S	11/2008	Feider et al.	D12/523
D586,732 S	* 2/2009	Heinen	D12/582

D604,228 S	11/2009	Le et al.	D12/582
D604,229 S	11/2009	Le et al.	D12/582
D604,230 S	11/2009	Brown et al.	D12/588

(Continued)

Primary Examiner — Robert M Spear

(74) *Attorney, Agent, or Firm* — Robert N. Lipsik

(57) **CLAIM**

The ornamental design for a tire, as shown and described.

DESCRIPTION

FIG. 1 is a perspective view of a tire showing our new design, it being understood that the pattern repeats uniformly throughout the circumference of the tread;

FIG. 2 is a front elevational view thereof;

FIG. 3 is a right side elevational view thereof; the opposite side elevational view being identical thereto;

FIG. 4 is an enlarged fragmentary front elevational view thereof;

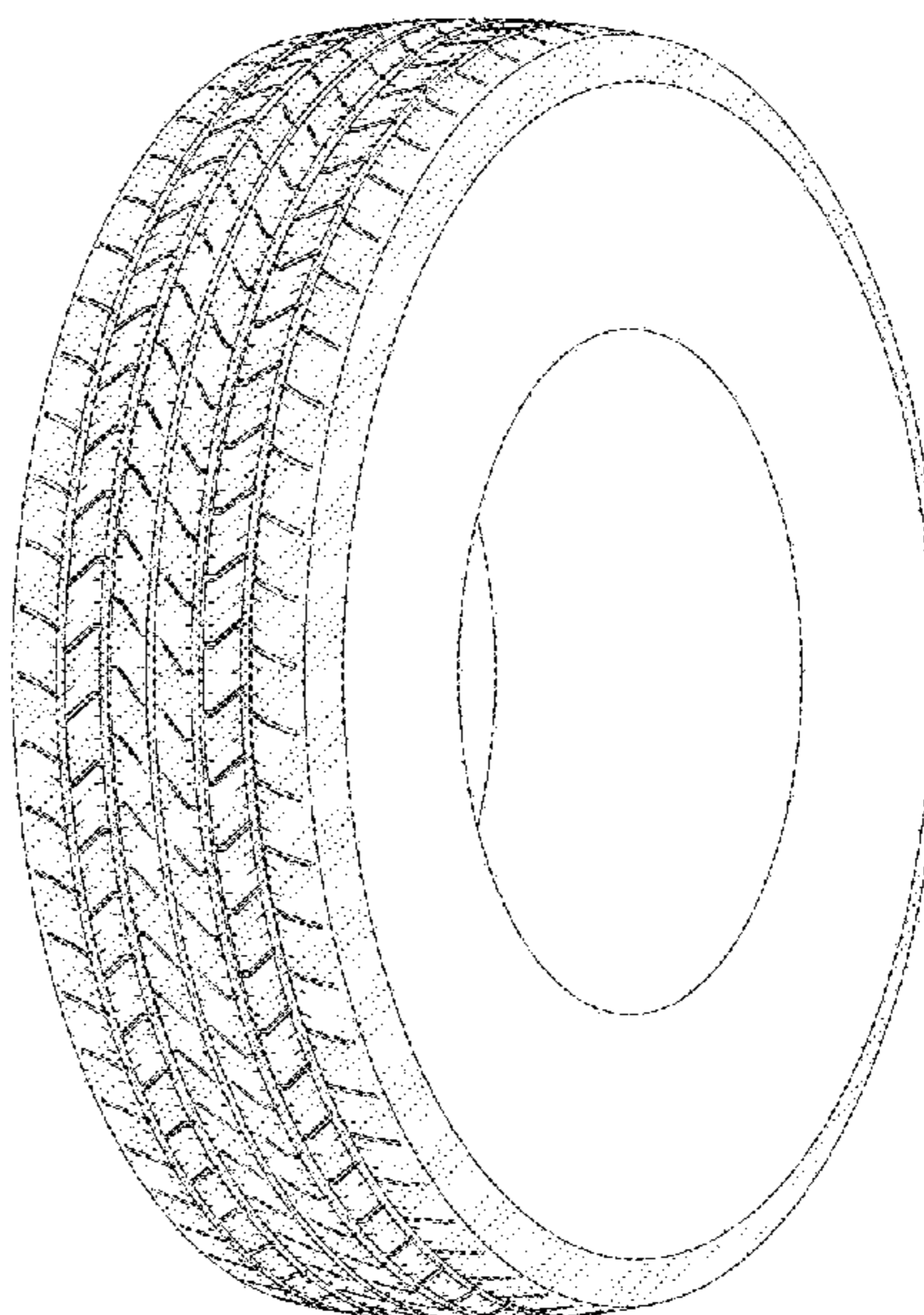
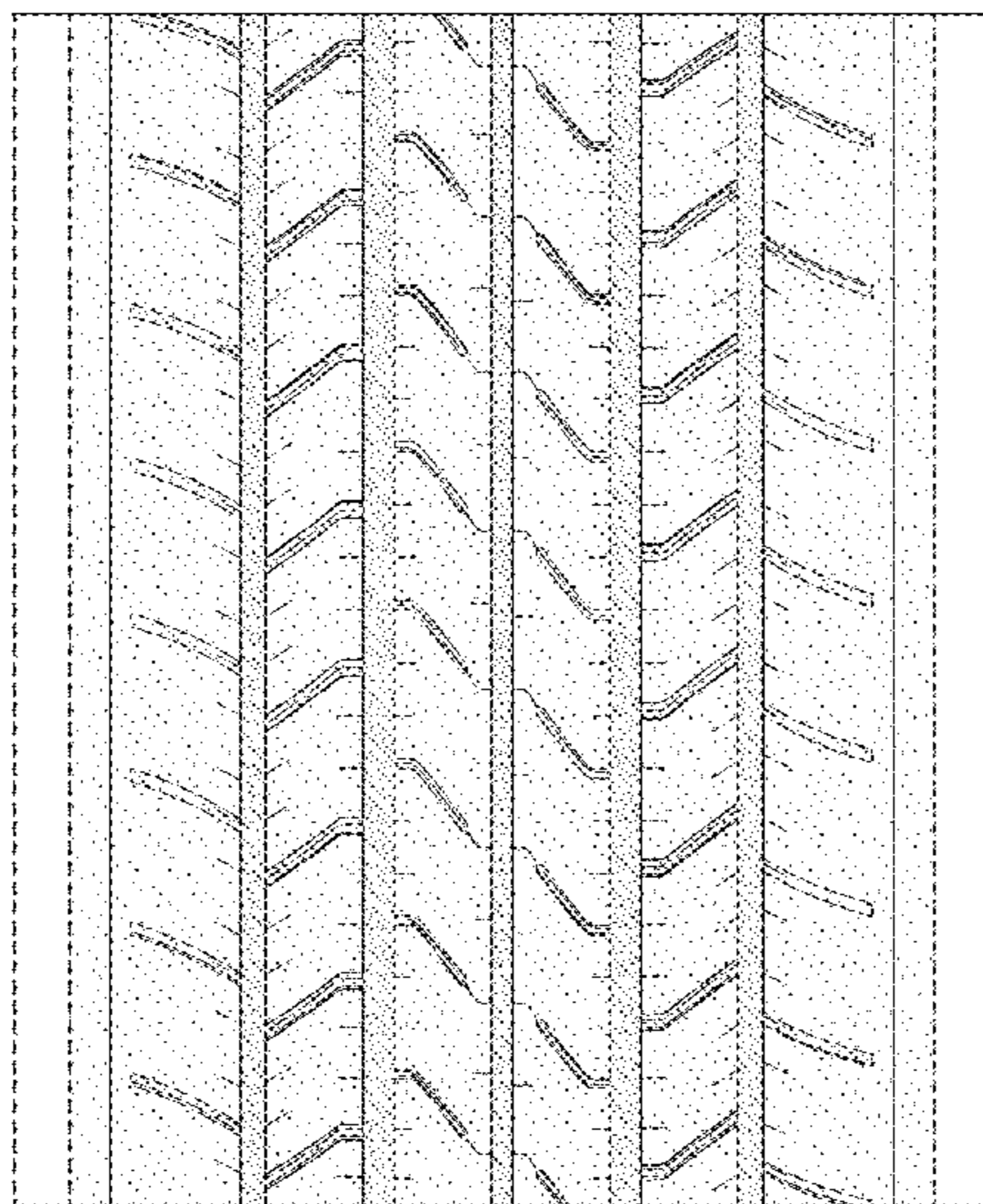
FIG. 5 is a perspective view of a second embodiment of a tire showing our new design, it being understood that the pattern repeats uniformly throughout the circumference of the tread and that the opposite side view is identical thereto; and,

FIG. 6 is a front elevational view of a second embodiment, it being understood that an enlarged fragmentary view thereof would be substantially identical to that shown in FIG. 4, with the exception of the inclusion of the sidewall in solid lines.

In the drawings, the broken lines showing of the sidewall, inner bead and the peripheral boundary between the tire tread and the sidewall in FIGS. 1 through 4 depict environmental subject matter and form no part of the claimed design.

The dark stippled surface shading represents the recessed portion of the tread grooves having a depth as best shown in FIG. 2.

1 Claim, 6 Drawing Sheets



(56)

References Cited

U.S. PATENT DOCUMENTS

D605,108 S	12/2009	Brown et al.	D12/588
D609,169 S	2/2010	Feider	D12/588
D609,170 S	2/2010	Feider et al.	D12/588
D609,175 S	2/2010	Feider et al.	D12/600
D627,707 S	11/2010	Le et al.	D12/566
D628,955 S	12/2010	Toumni et al.	D12/588
D647,040 S	10/2011	Mathonet et al.	D12/588
D661,640 S	6/2012	Krier	D12/588
D664,913 S	8/2012	Le et al.	D12/521
D665,730 S *	8/2012	Yoshimura	D12/584
D667,781 S	9/2012	Georges et al.	D12/588
D674,739 S	1/2013	Georges et al.	D12/586
D674,740 S	1/2013	Mathonet et al.	D12/588
D700,884 S *	3/2014	Herbeuval	D12/584
D700,885 S	3/2014	Le et al.	D12/588
D702,180 S	4/2014	Le et al.	D12/588
D708,119 S	7/2014	Le et al.	D12/600
D760,151 S *	6/2016	Hayashi	D12/584

* cited by examiner

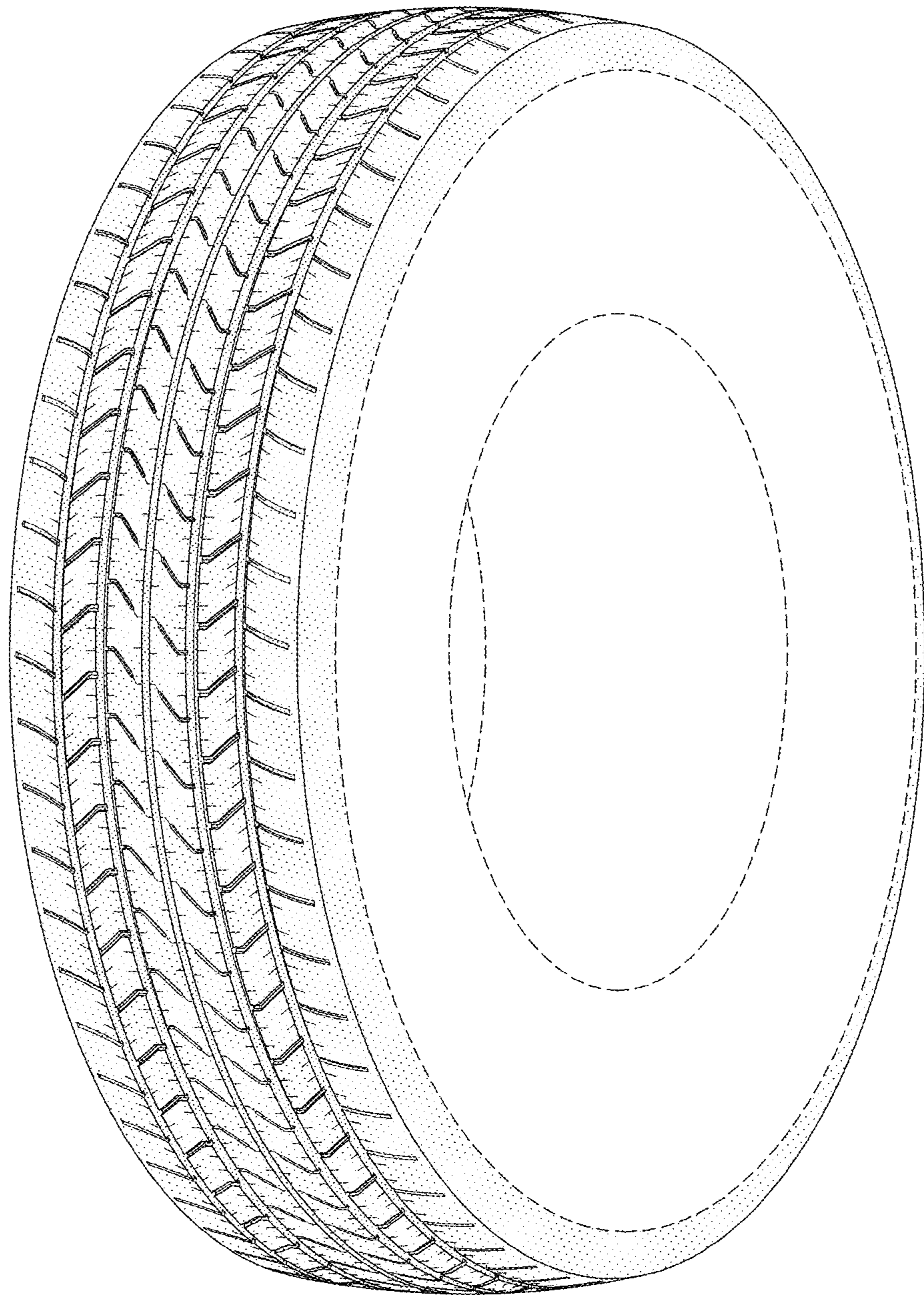


FIG-1

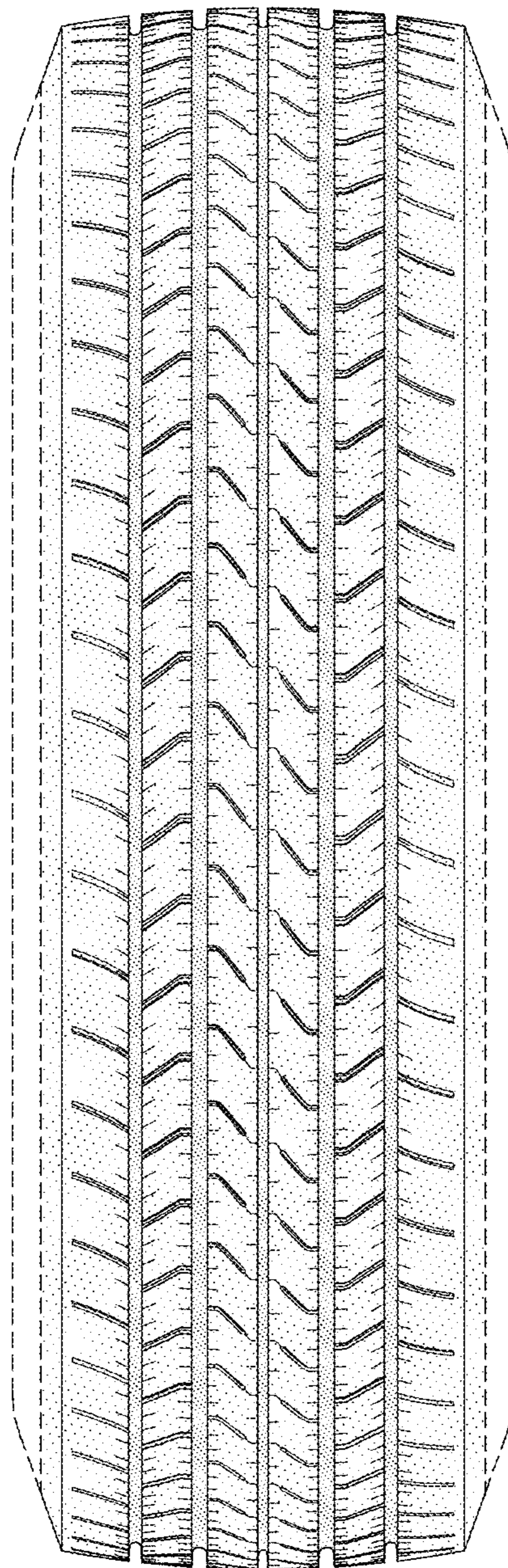


FIG-2

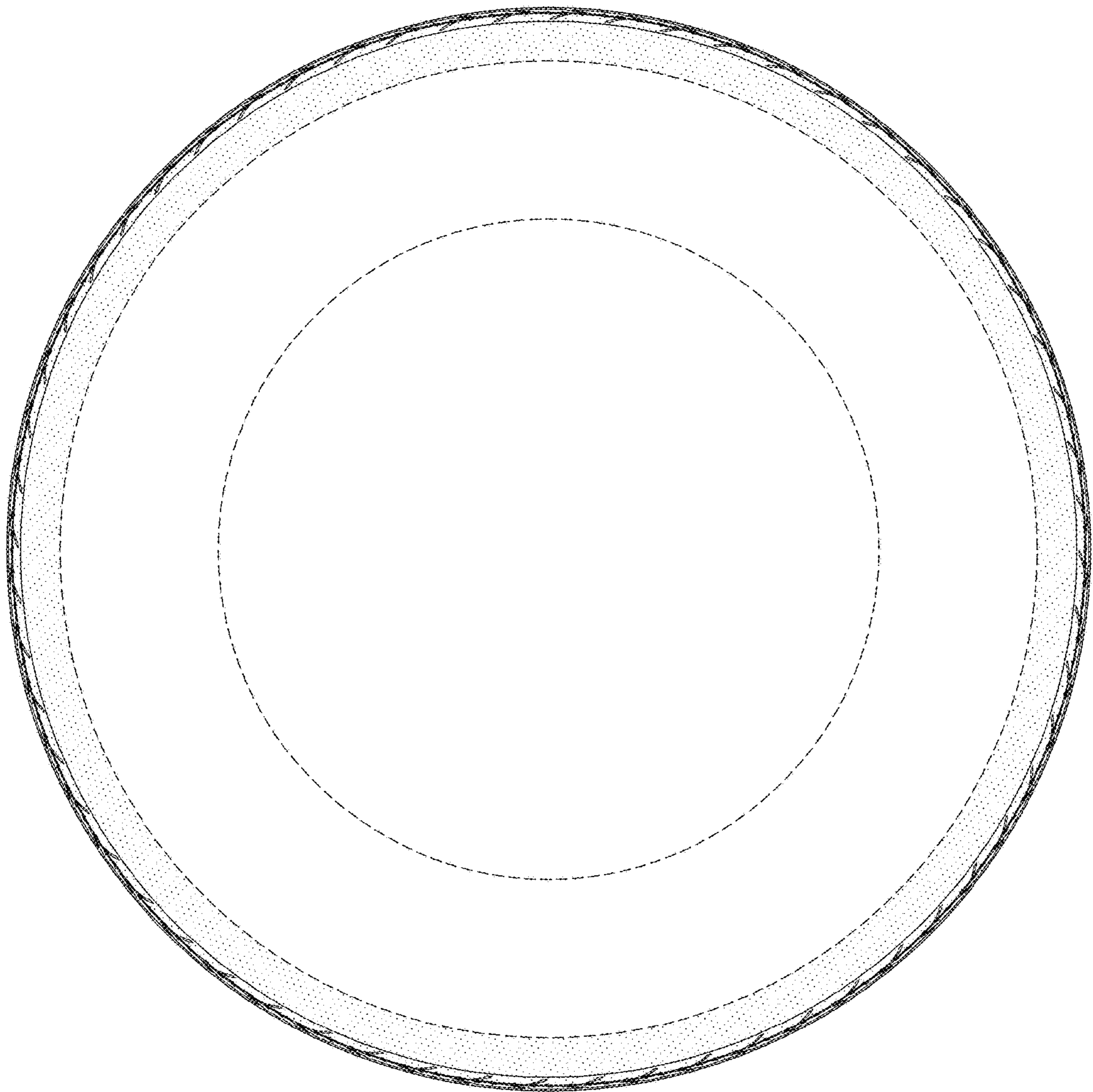


FIG-3

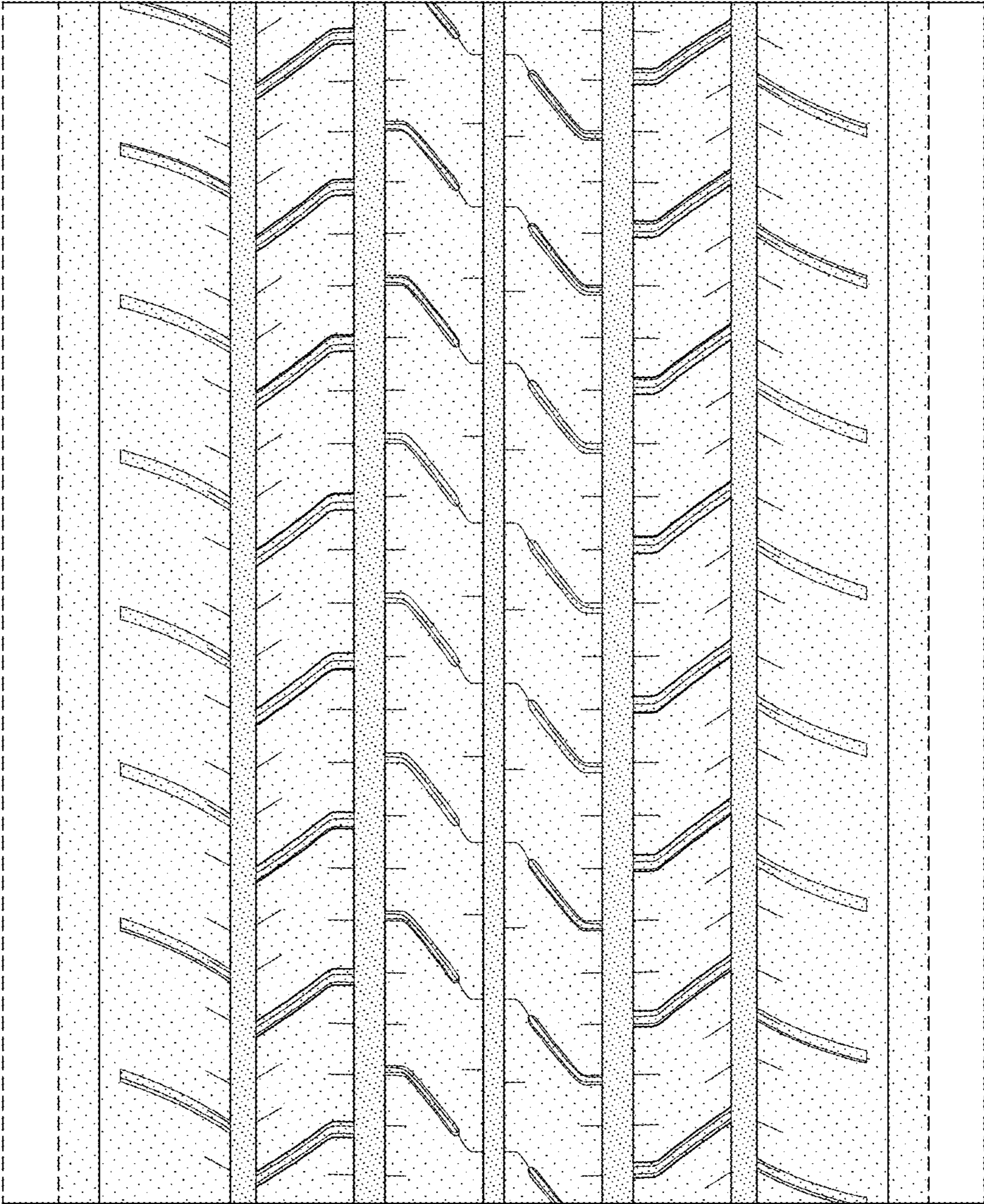


FIG-4



FIG-5

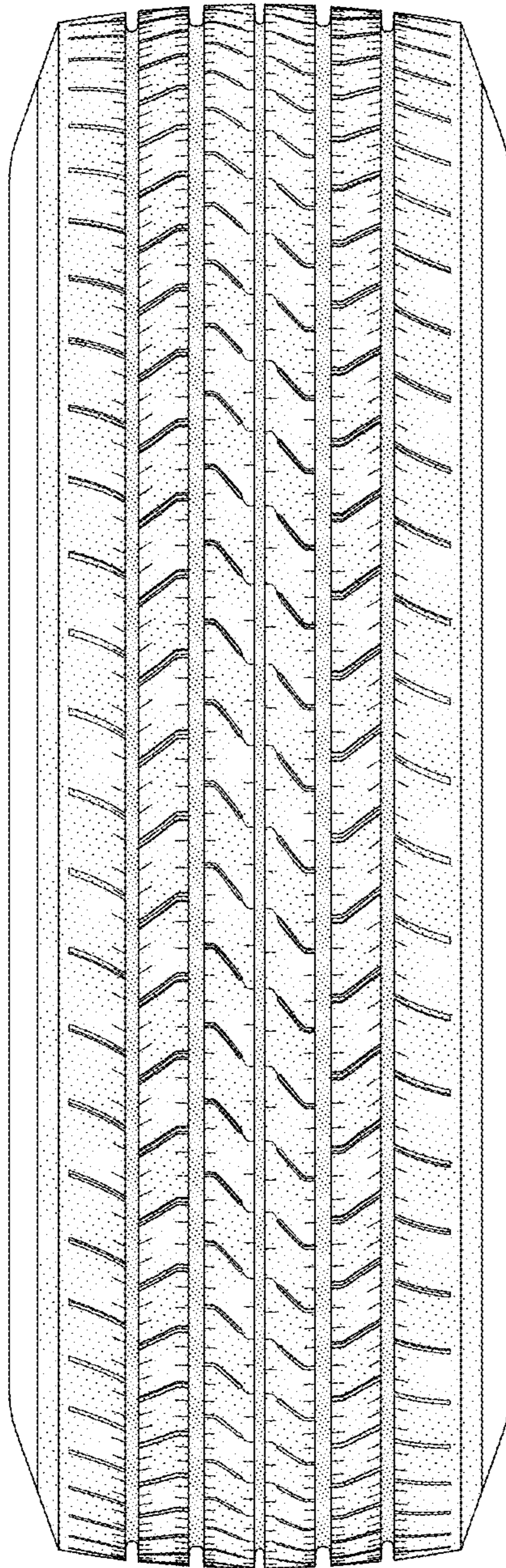


FIG-6