



US00D782962S

(12) **United States Design Patent** (10) **Patent No.:** **US D782,962 S**
Dunford et al. (45) **Date of Patent:** **** Apr. 4, 2017**

(54) **TRANSMITTER**
(71) Applicant: **HORIZON HOBBY, LLC**,
Champaign, IL (US)
(72) Inventors: **Ryan Dunford**, Anaheim, CA (US);
Mirco Pecorari, Modena (IT)
(73) Assignee: **Horizon Hobby, LLC**, Champaign, IL
(US)
(**) Term: **15 Years**
(21) Appl. No.: **29/552,911**
(22) Filed: **Jan. 27, 2016**
(51) **LOC (10) Cl.** **21-01**
(52) **U.S. Cl.**
USPC **D12/566**
(58) **Field of Classification Search**
USPC ... D10/18, 21, 24, 25, 27, 28, 46, 93, 104.1,
D10/106, 113, 114, 116.1, 121; D14/195;
D17/99; D21/515, 561, 566
CPC G08C 23/04; A63H 30/04; A63F 13/06
See application file for complete search history.

D594,514 S * 6/2009 Noguchi D21/566
D650,020 S * 12/2011 Kono D21/566
D654,543 S * 2/2012 Kono D21/566
D658,238 S * 4/2012 Kitazawa D21/566
D708,796 S * 7/2014 Sproviero D10/104.1
2002/0196174 A1* 12/2002 Lai H01H 9/0235
341/176
2005/0168373 A1* 8/2005 Mukaida A63H 30/04
341/176
2009/0055003 A1* 2/2009 Tunick A63F 13/06
700/85
2015/0091697 A1* 4/2015 Takayasu H04B 1/04
340/5.64
2015/0202540 A1* 7/2015 Erhart A63H 30/04
340/12.5

(Continued)

Primary Examiner — George D Kirschbaum
Assistant Examiner — Joseph Kukella
(74) *Attorney, Agent, or Firm* — Barnes & Thornburg
LLP

(57) **CLAIM**

The ornamental design for a transmitter, as shown and described.

(56) **References Cited**

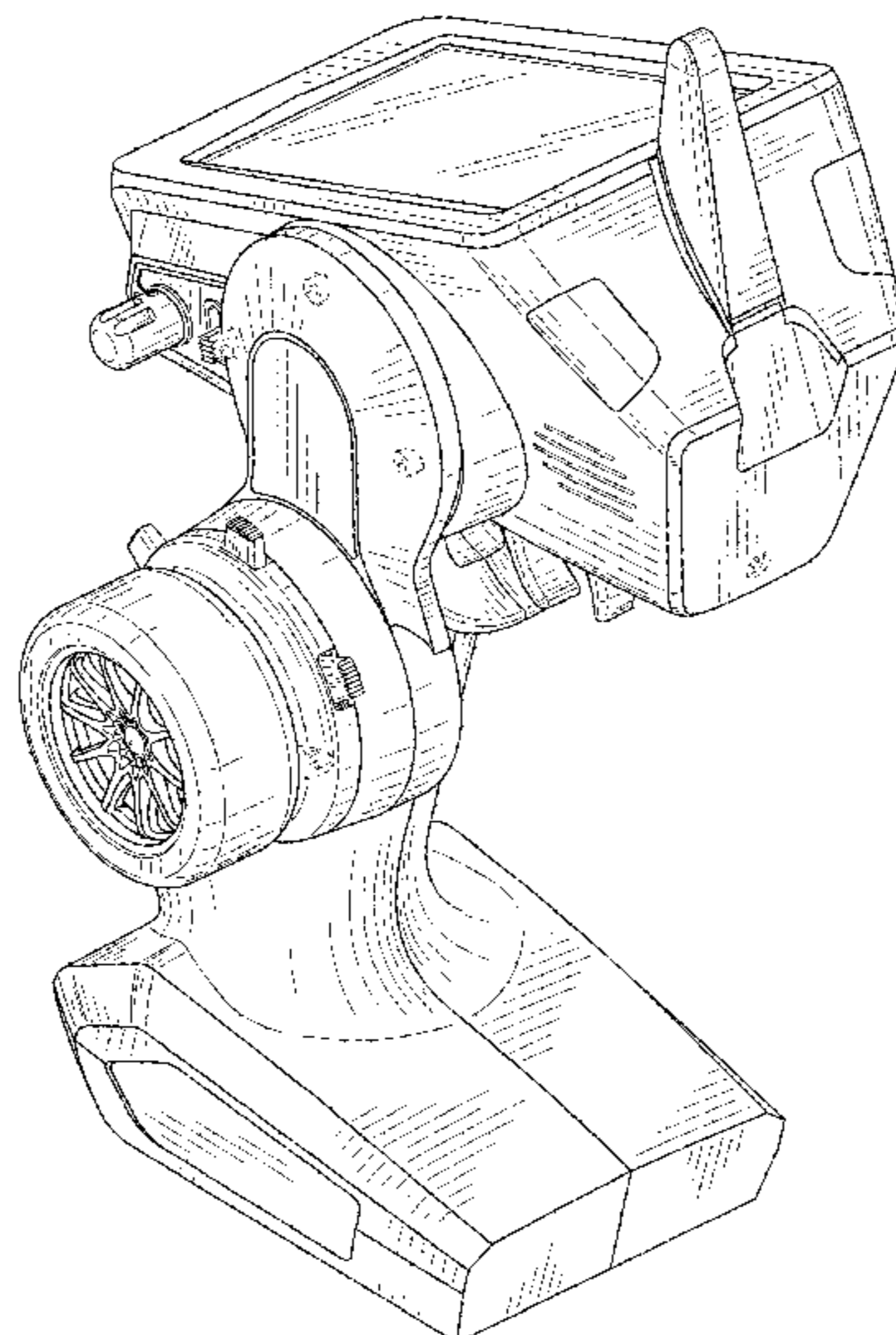
U.S. PATENT DOCUMENTS

D478,638 S * 8/2003 Mukaida D21/566
D480,117 S * 9/2003 Mukaida D21/566
D481,080 S * 10/2003 Arai D21/566
D502,968 S * 3/2005 Takahashi D21/566
D503,439 S * 3/2005 Galletti D21/566
D513,045 S * 12/2005 Yuen D21/566
D516,137 S * 2/2006 Yuen D21/566
D524,382 S * 7/2006 Morita D21/566
D525,320 S * 7/2006 Noguchi D21/566
D558,624 S * 1/2008 Perez D10/104.1
D563,487 S * 3/2008 Takahashi D21/566
7,374,489 B2 * 5/2008 Sexton A63F 13/06
341/176
D573,666 S * 7/2008 Idiot D21/566

DESCRIPTION

FIG. 1 is a top perspective view of a transmitter, according to my new design;
FIG. 2 is a front view thereof;
FIG. 3 is a rear view thereof;
FIG. 4 is a right side view thereof;
FIG. 5 is a left side view thereof;
FIG. 6 is a top view thereof;
FIG. 7 is a bottom view thereof; and,
FIG. 8 is a bottom perspective view of thereof.
The broken lines illustrate portions of the transmitter that form no part of the claimed design.

1 Claim, 8 Drawing Sheets



(56)

References Cited

U.S. PATENT DOCUMENTS

2015/0360136 A1* 12/2015 Choi A63H 30/04
74/491

* cited by examiner

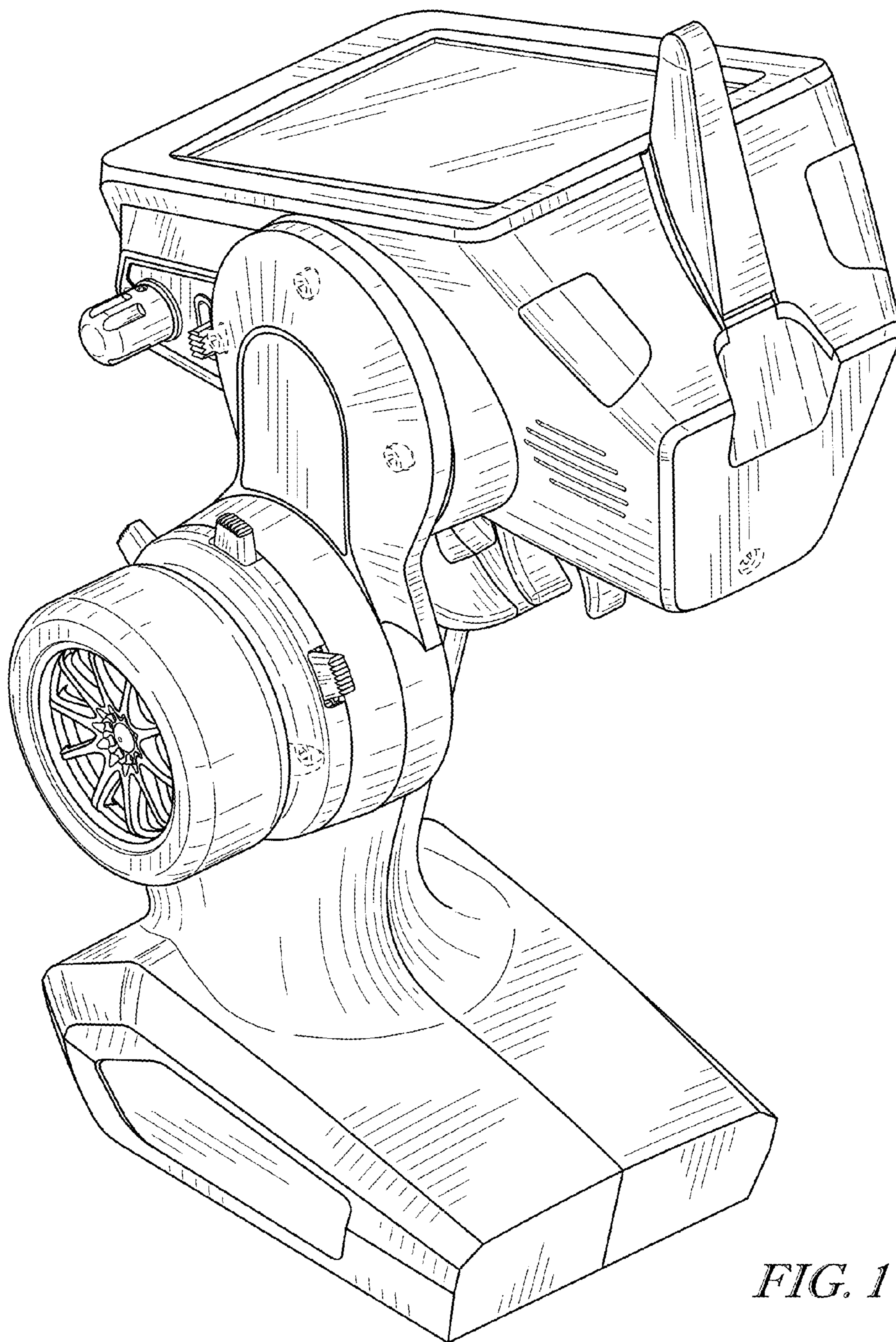


FIG. 1

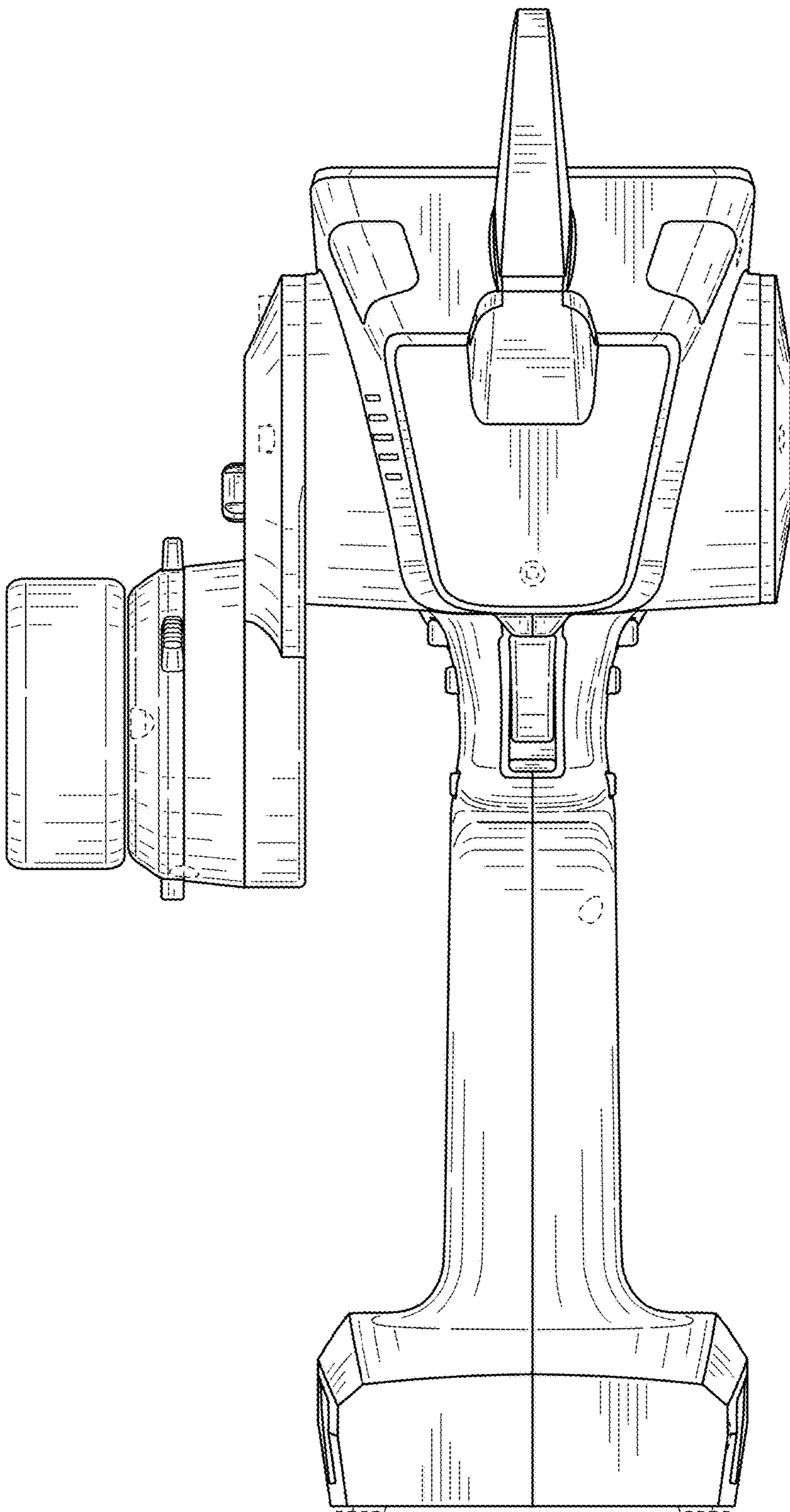


FIG. 2

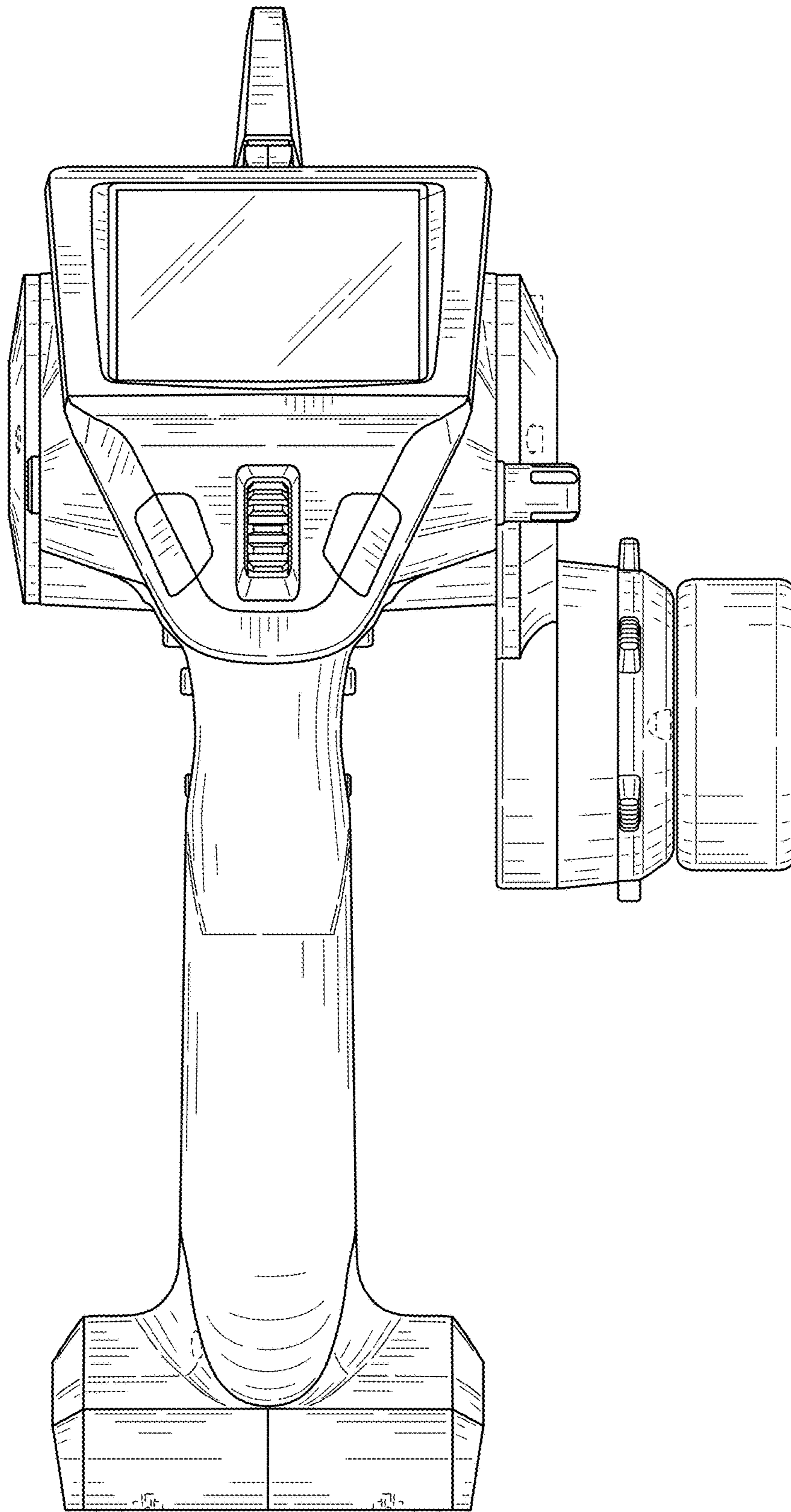


FIG. 3

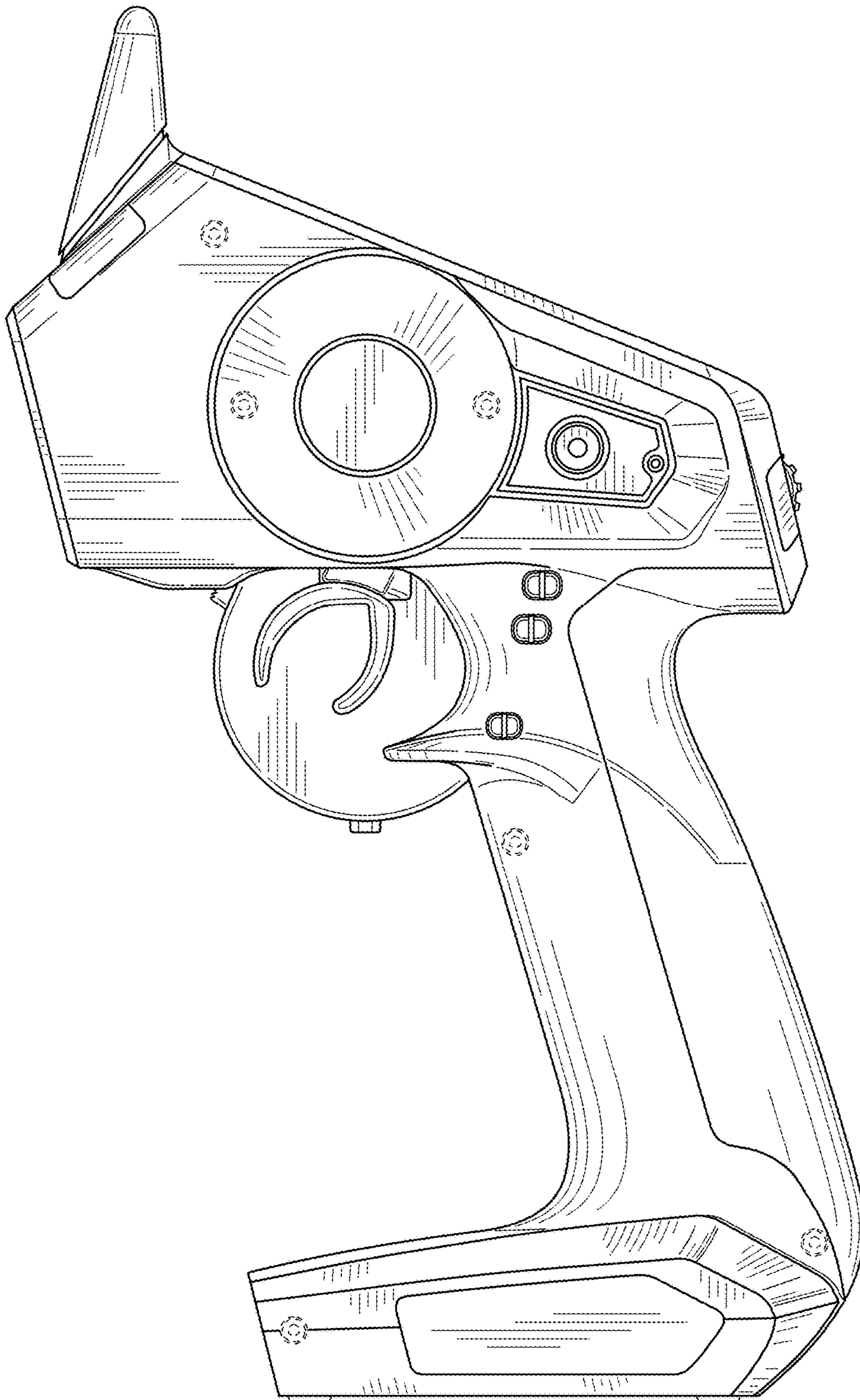


FIG. 4

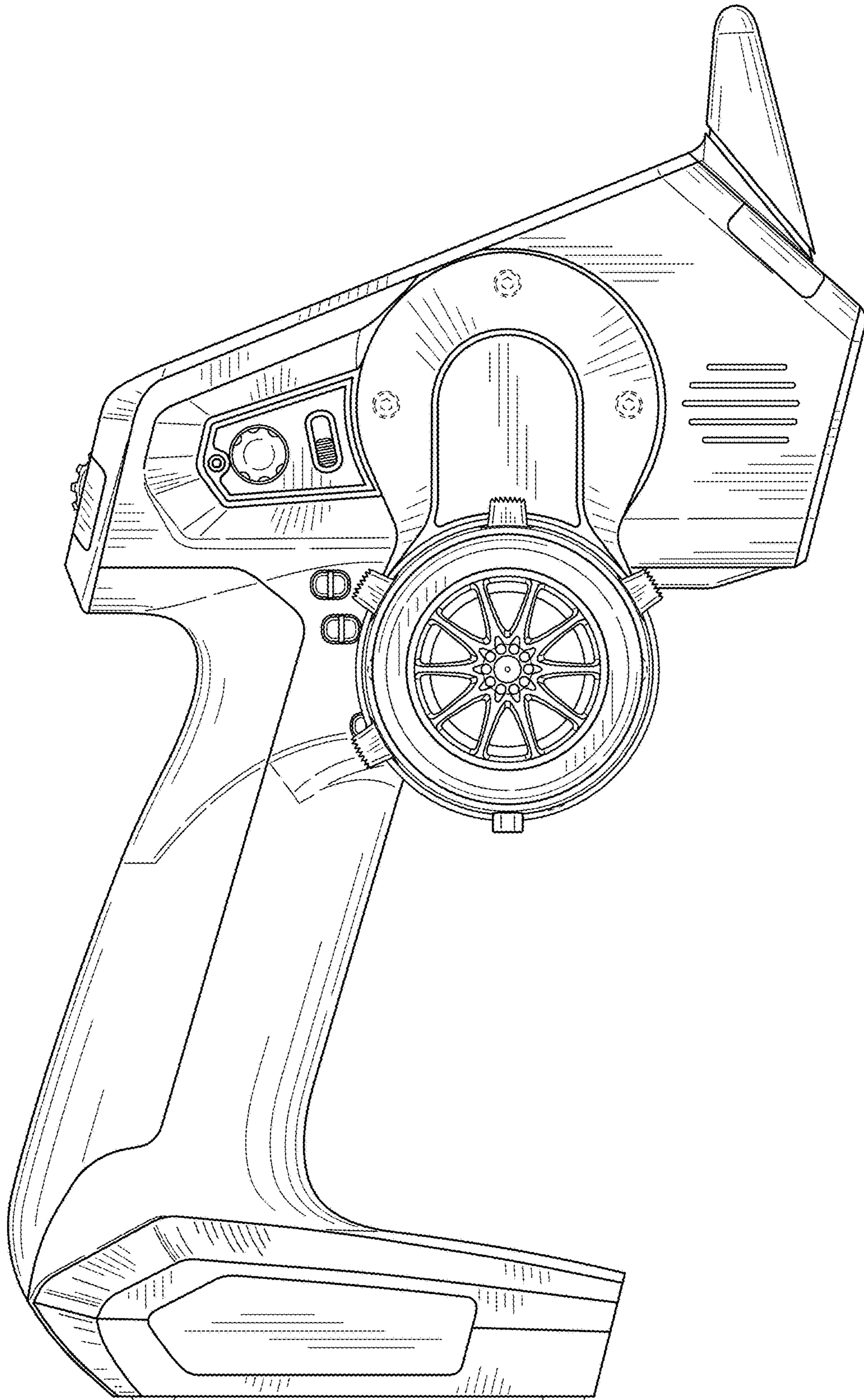


FIG. 5

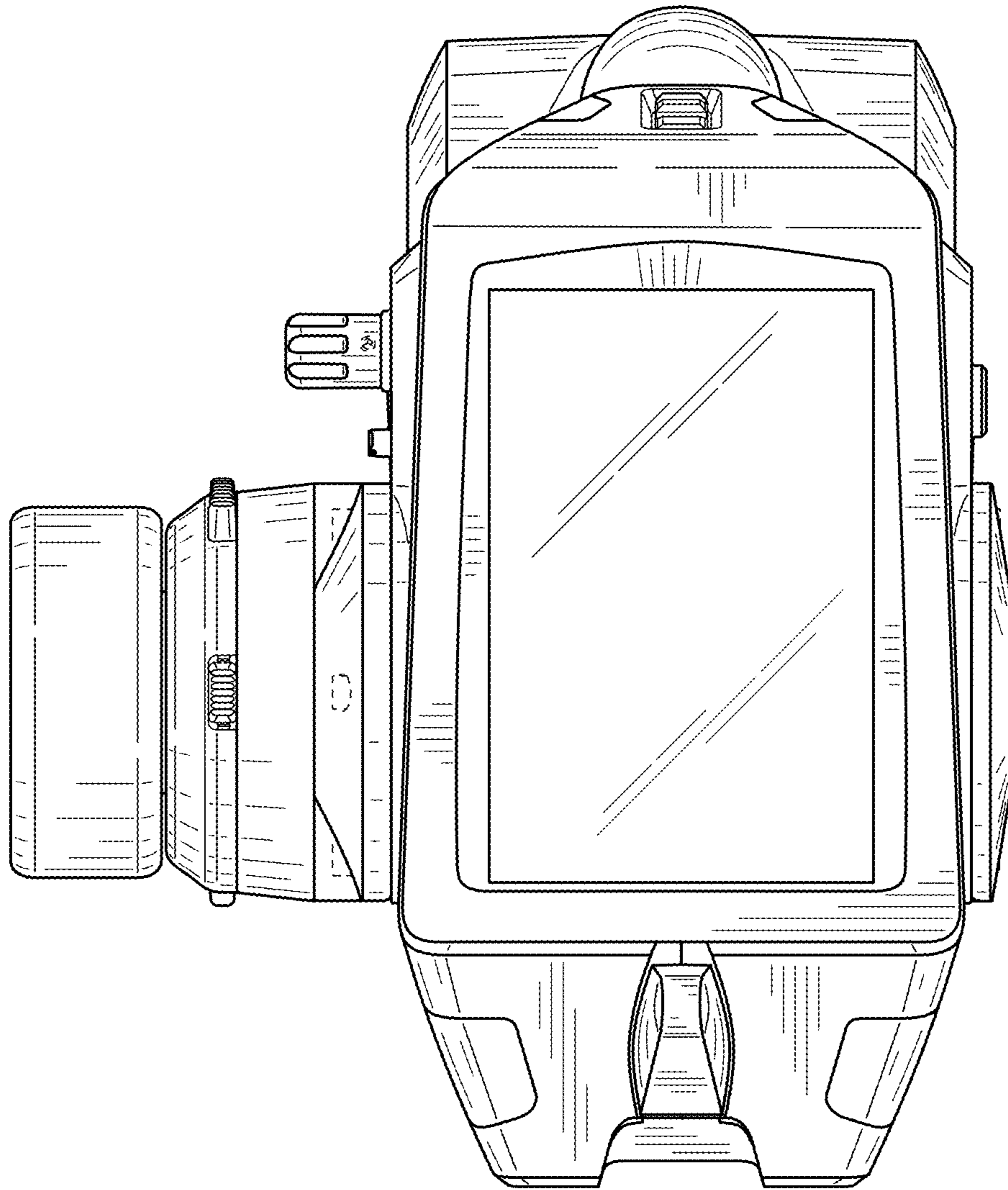


FIG. 6

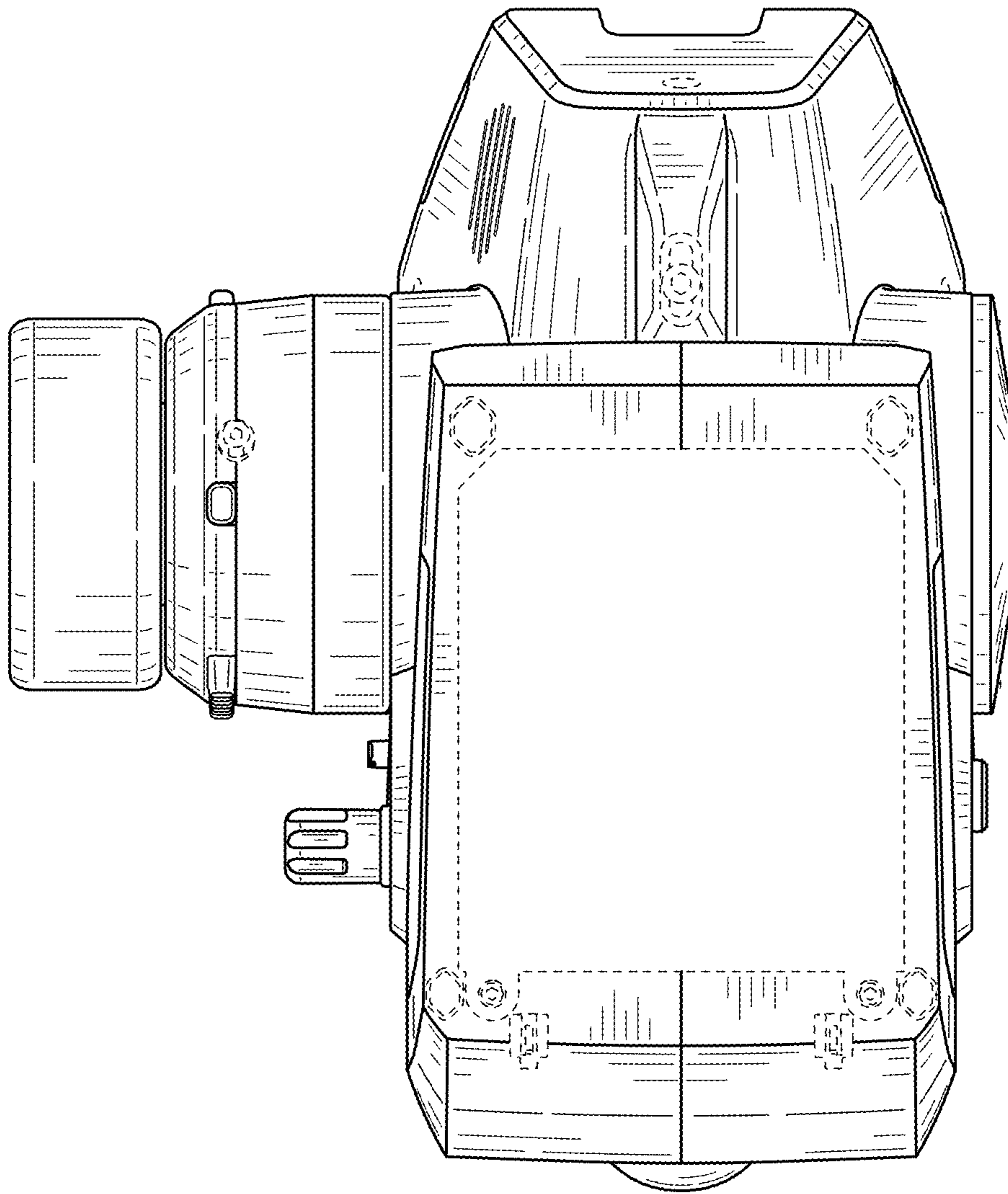


FIG. 7

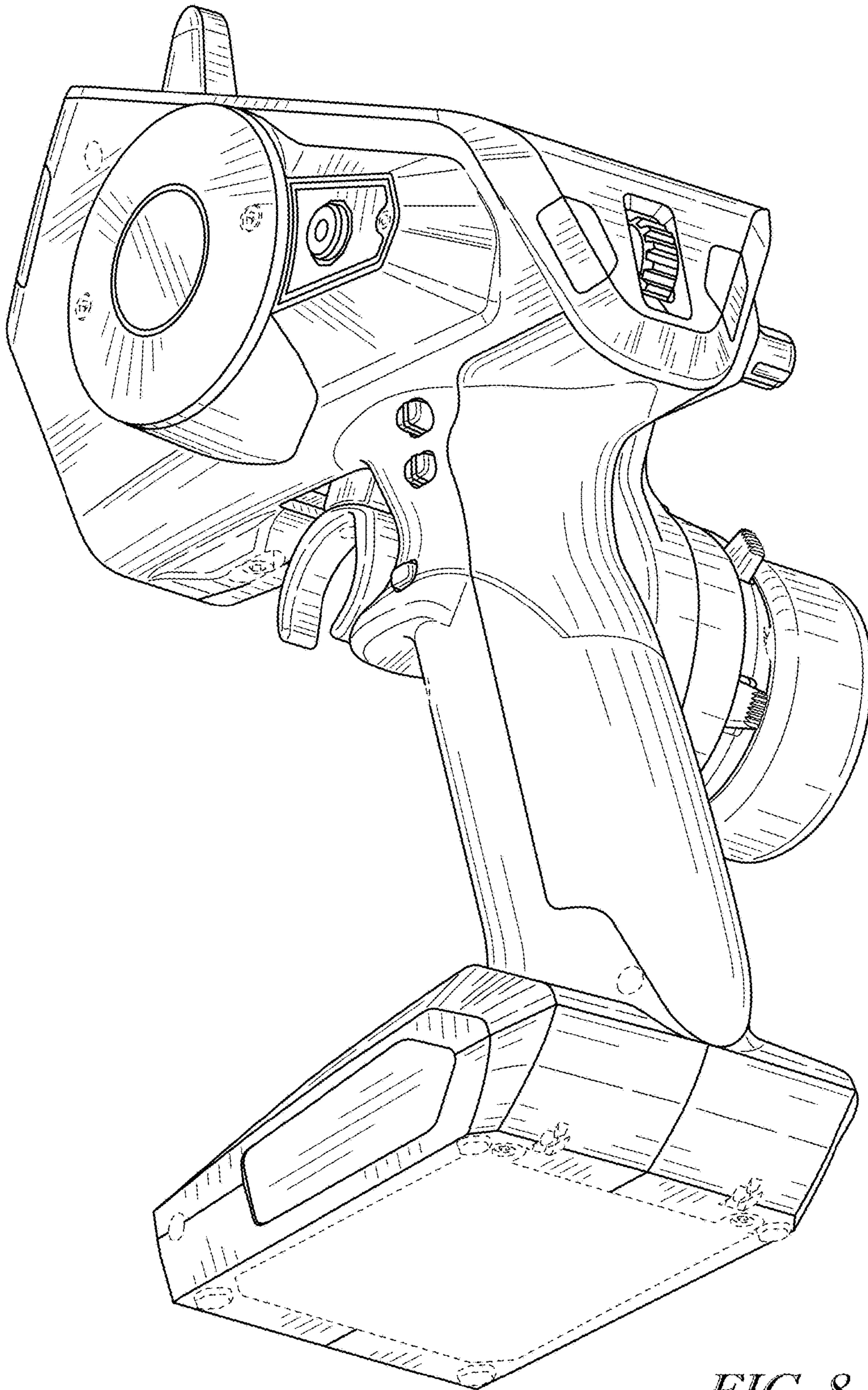


FIG. 8