



US00D782958S

(12) **United States Design Patent**  
**Sareen**

(10) **Patent No.:** **US D782,958 S**

(45) **Date of Patent:** **\*\* Apr. 4, 2017**

(54) **TIRE TREAD**

(71) Applicant: **Omni United (S) Pte Ltd.**, Singapore  
(SG)

(72) Inventor: **Gajendra Singh Sareen**, Singapore  
(SG)

(73) Assignee: **Omni United (S) Pte Ltd.**, Singapore  
(SG)

(\*\*) Term: **15 Years**

(21) Appl. No.: **29/567,252**

(22) Filed: **Jun. 7, 2016**

(51) **LOC (10) Cl.** ..... **12-15**

(52) **U.S. Cl.**  
USPC ..... **D12/519**

(58) **Field of Classification Search**  
USPC ..... D12/505-532, 900  
CPC ..... B60C 1/0016; B60C 11/0306; B60C  
11/0302; B60C 3/06; B60C 9/17  
See application file for complete search history.

(56) **References Cited**

**U.S. PATENT DOCUMENTS**

D481,004 S	10/2003	O	
D522,442 S	6/2006	Shirouzu	
D569,785 S *	5/2008	Murata	D12/519
D575,725 S *	8/2008	Hirai	D12/518
D597,474 S *	8/2009	Yamakawa	D12/519
D603,784 S	11/2009	Sareen et al.	
D606,926 S	12/2009	Heinen et al.	
D634,262 S	3/2011	Kujime	
D649,508 S	11/2011	Allison et al.	
D660,222 S *	5/2012	Kim	D12/519

D682,188 S	5/2013	Sareen	
D699,663 S	2/2014	Dixon et al.	
D722,010 S *	2/2015	Tian	D12/521
D728,452 S	5/2015	Sano et al.	
D733,637 S *	7/2015	Kato	D12/523
D770,363 S *	11/2016	Sareen	D12/523

\* cited by examiner

*Primary Examiner* — Robert M Spear

*Assistant Examiner* — John Voytek

(74) *Attorney, Agent, or Firm* — Perkins Coie LLP

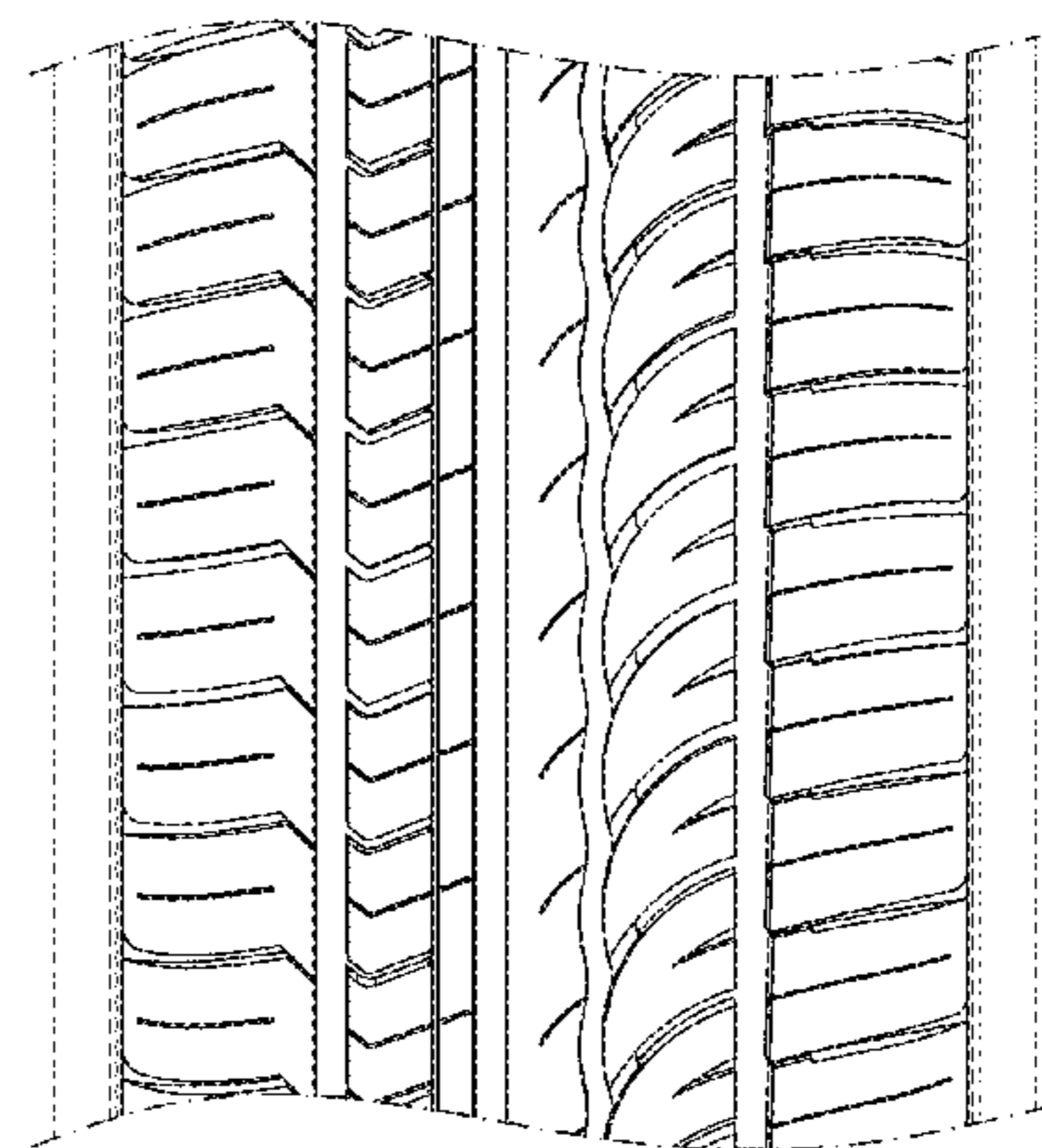
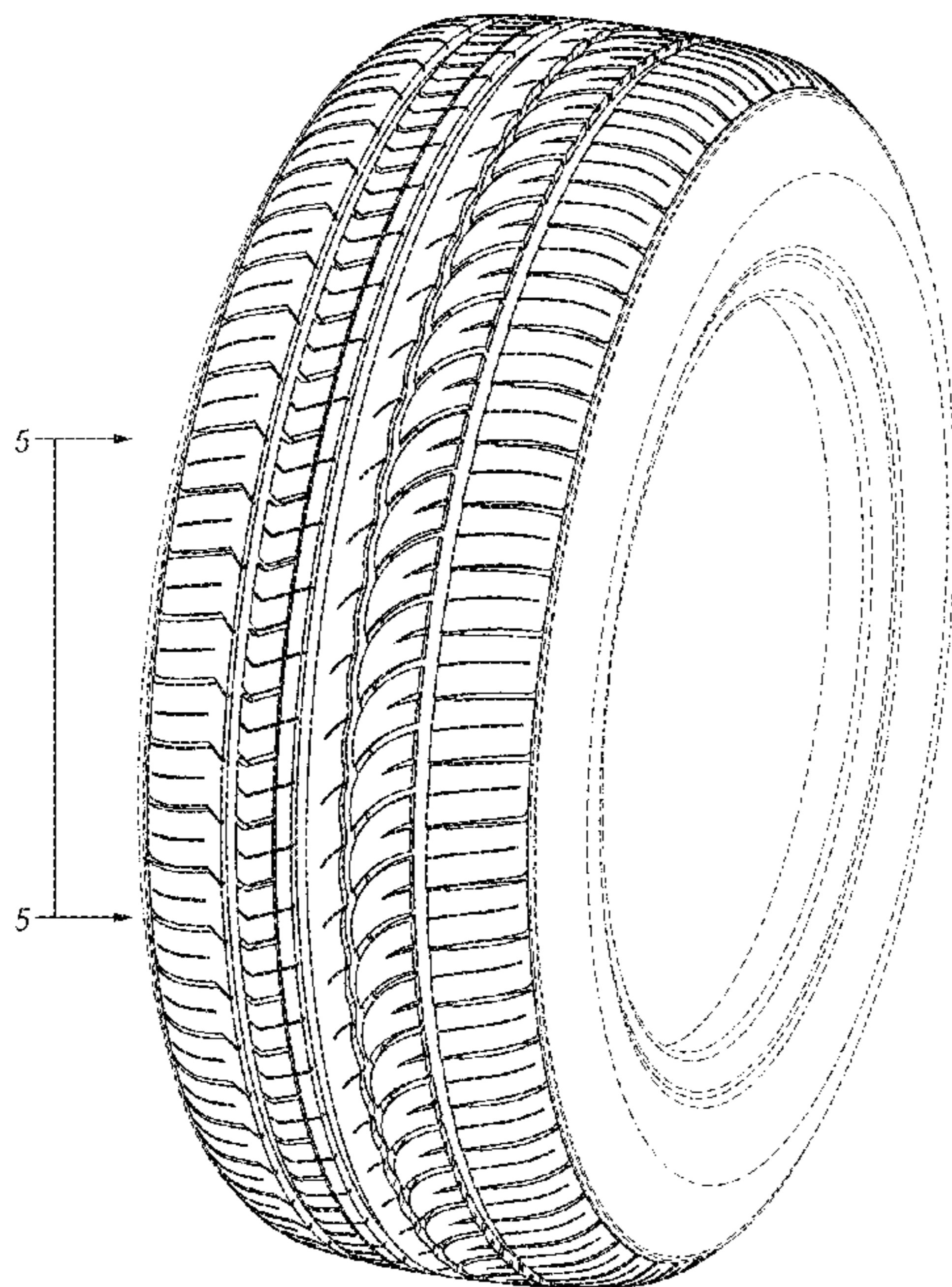
(57) **CLAIM**

The ornamental design for a tire tread, as shown and described.

**DESCRIPTION**

FIG. 1 is a perspective view of a tire tread, showing my new design;  
 FIG. 2 is a front view thereof;  
 FIG. 3 is a side view thereof;  
 FIG. 4 is an opposite side view thereof;  
 FIG. 5 is an enlarged perspective view of a section of the tire tread defined by lines 5-5 in FIG. 1;  
 FIG. 6 is an enlarged front view of a section of the tire tread as defined by lines 6-6 in FIG. 2; and,  
 FIG. 7 is an enlarged side view of a section of the tire tread as defined by lines 7-7 in FIG. 3.  
 In the drawings, the broken lines depict environmental subject matter only and form no part of the claimed design. The dash and dash dot lines on either side of the tire tread section in FIGS. 5-7 is for the purpose of illustrating the boundary of the claimed design and form no part thereof.

**1 Claim, 7 Drawing Sheets**



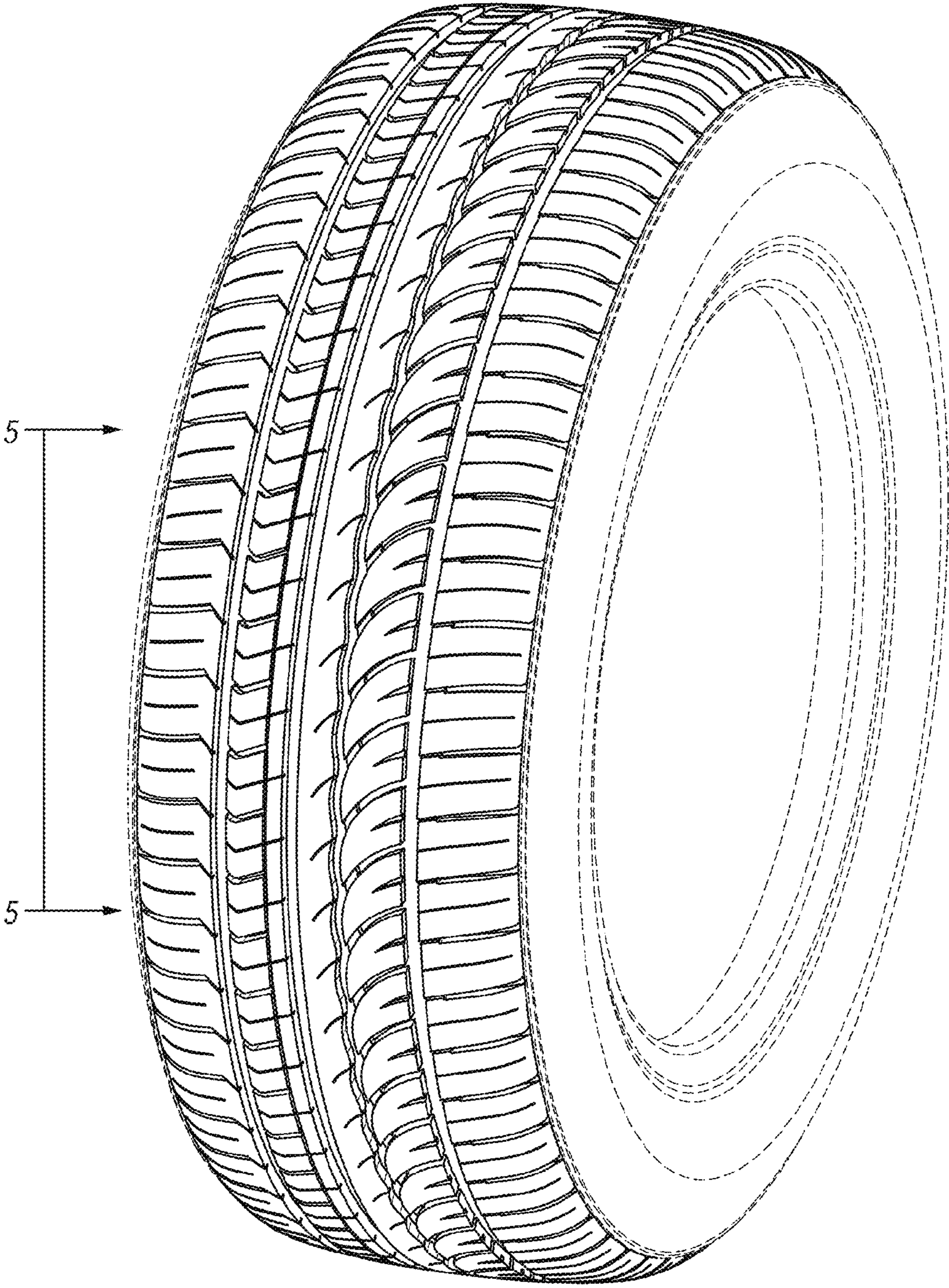


FIG. 1



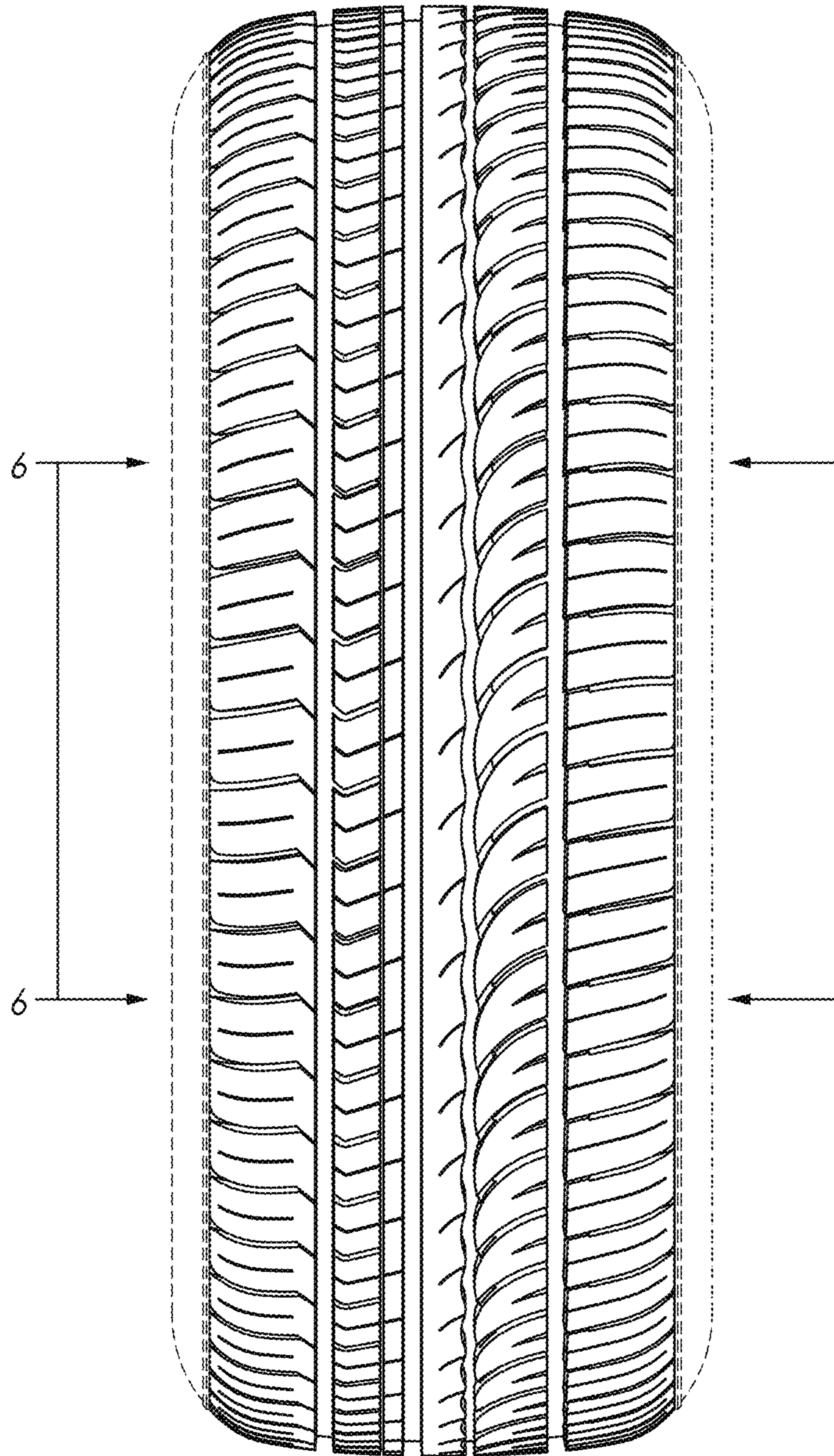


FIG. 2

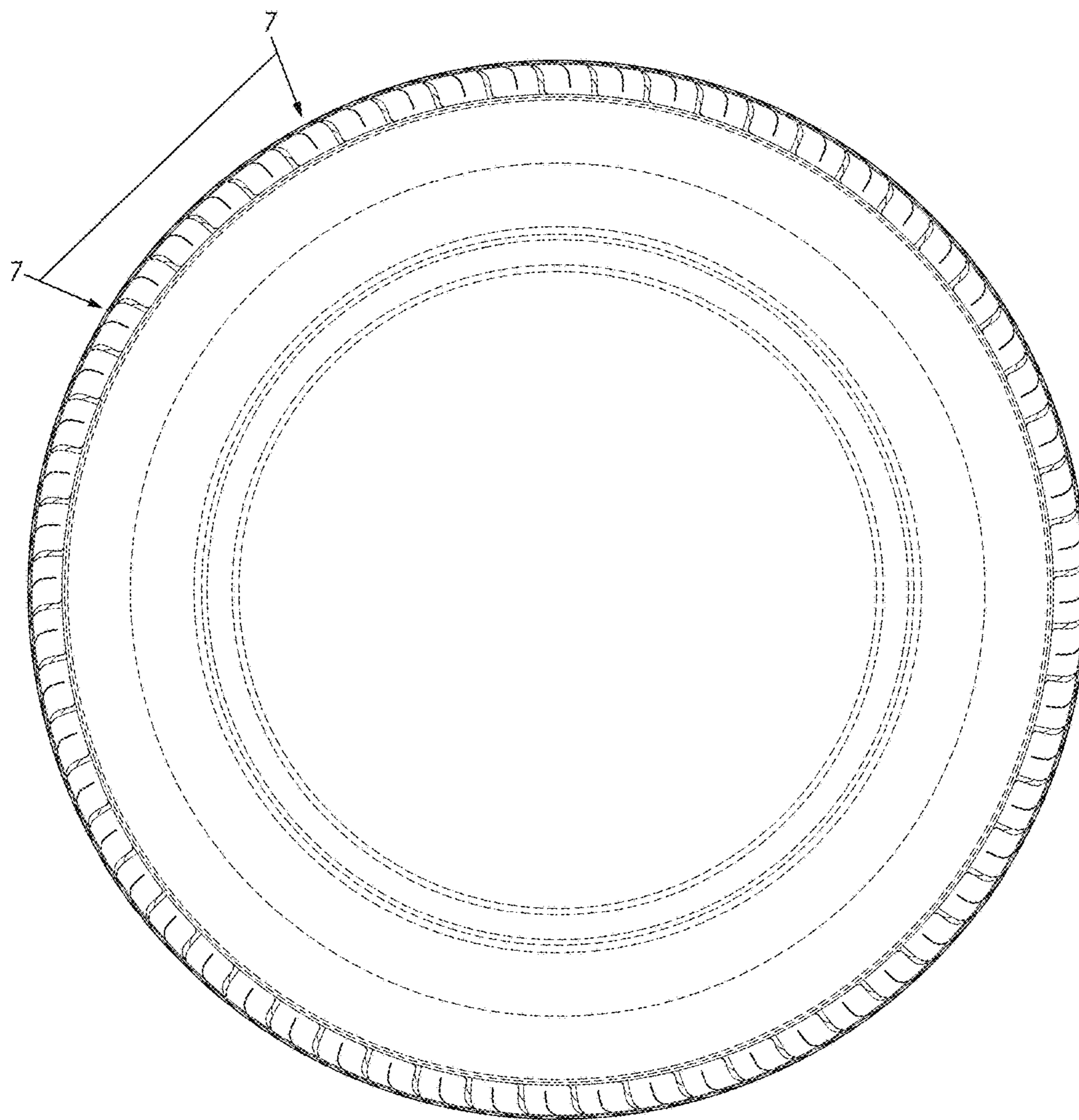


FIG. 3

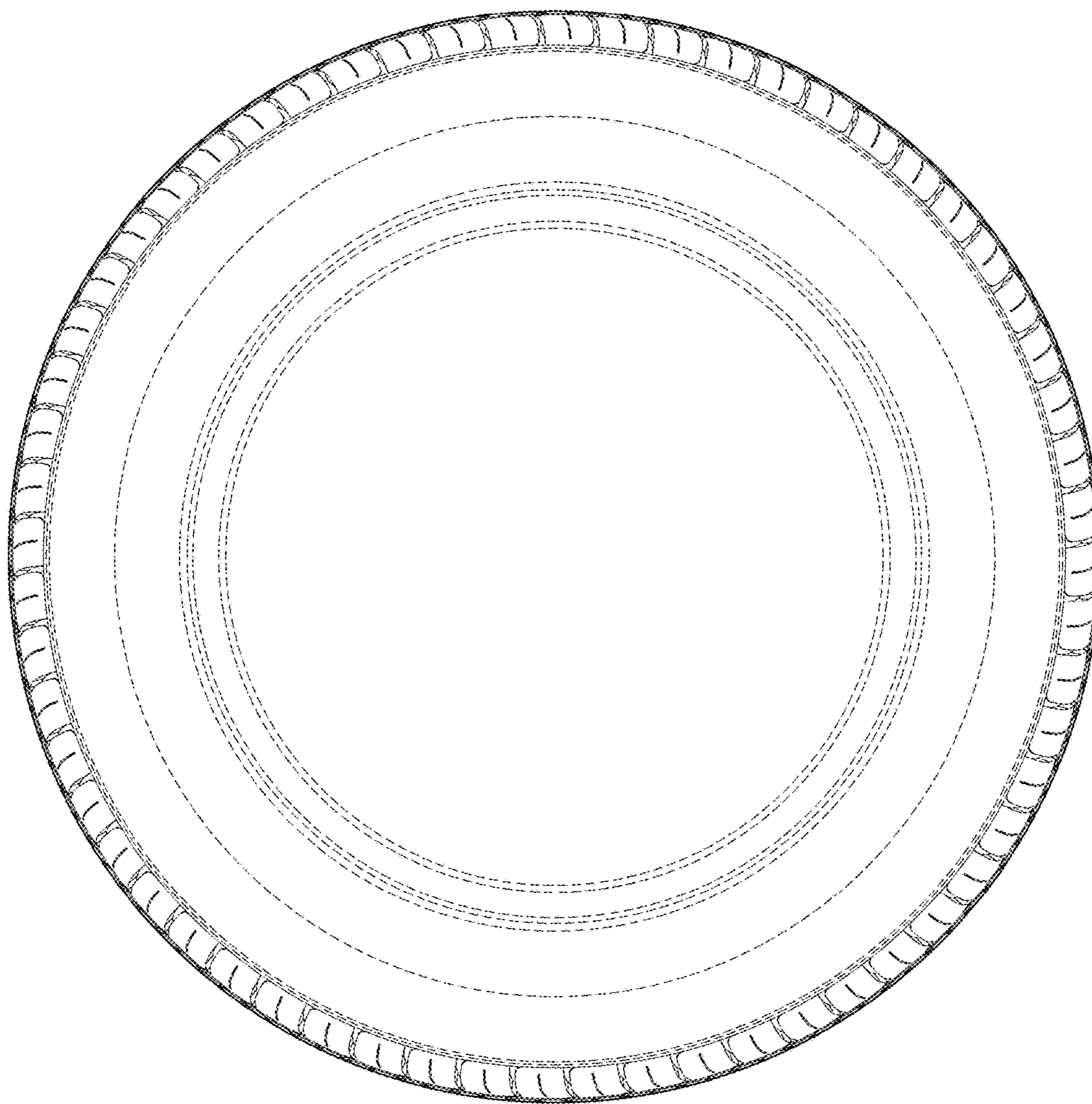
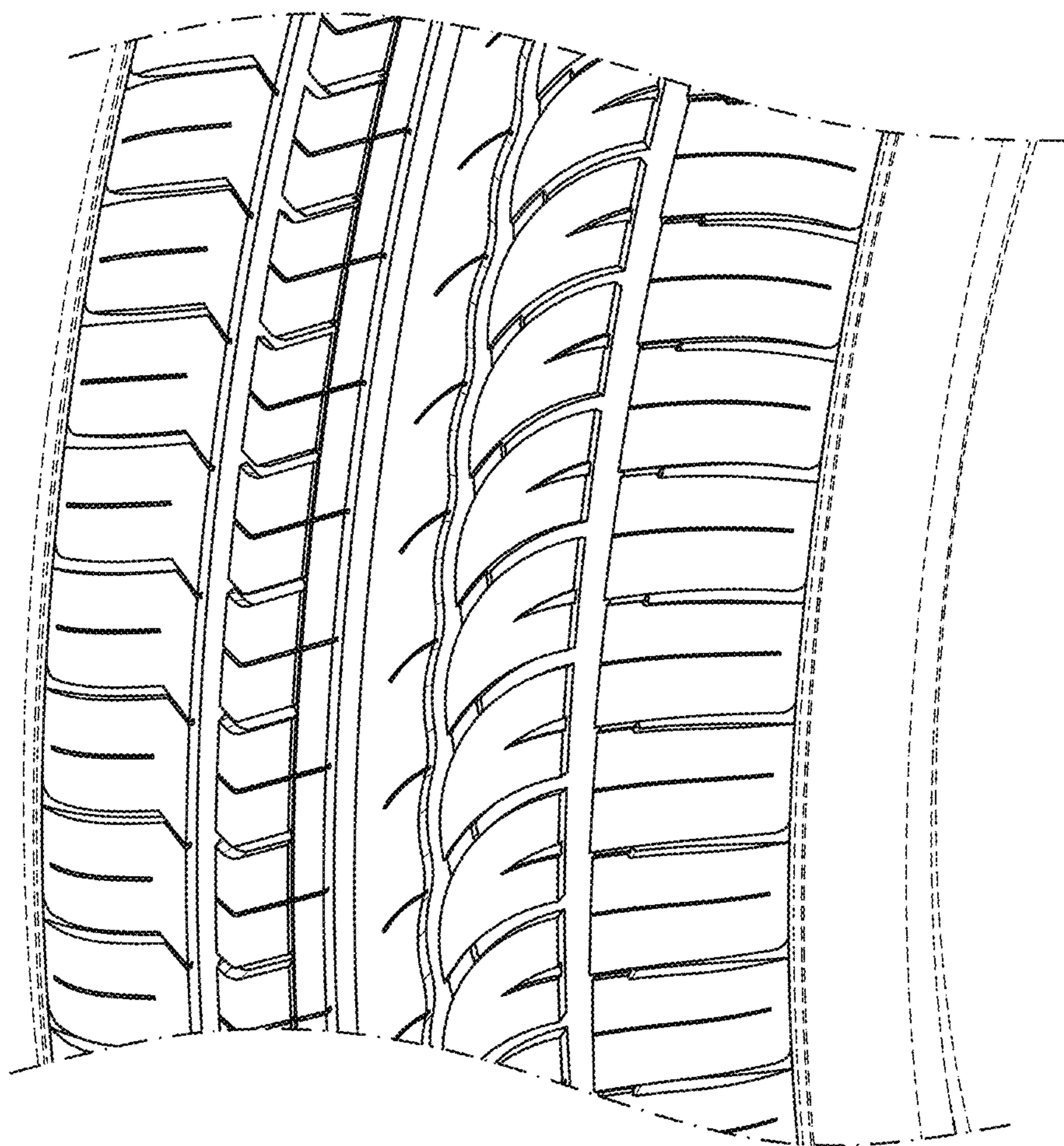


FIG. 4





*FIG. 5*

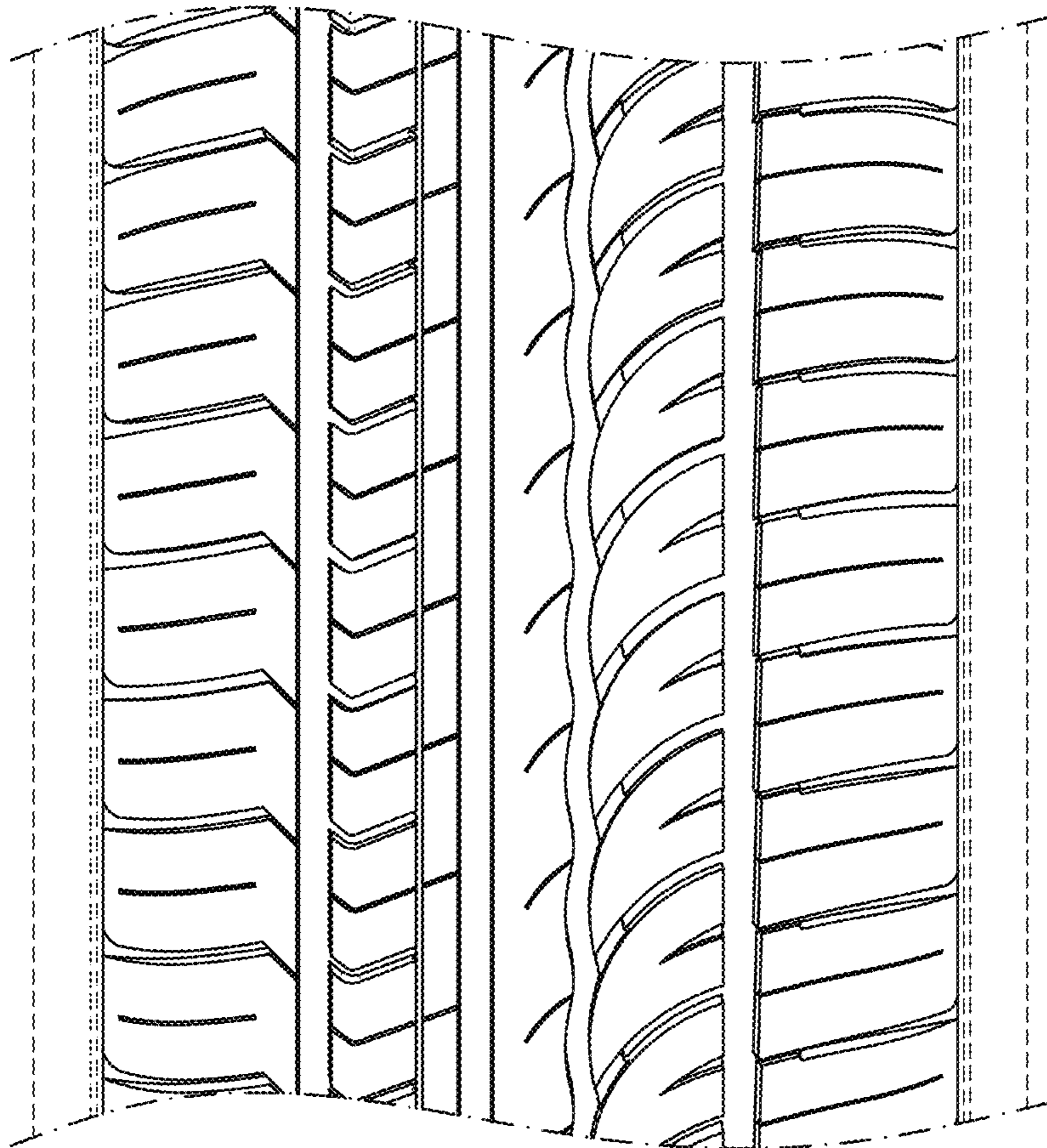


FIG. 6

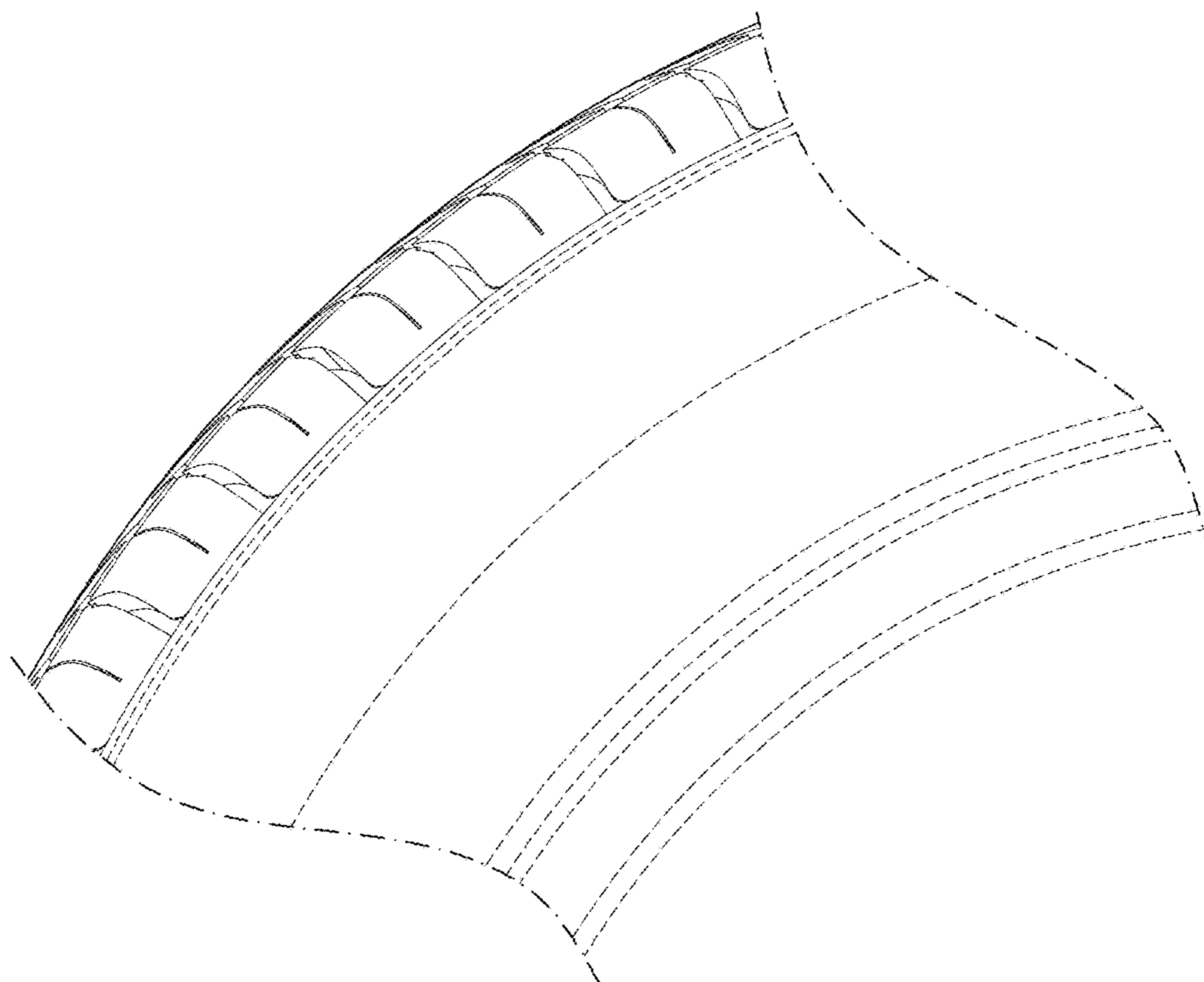


FIG. 7