



US00D782957S

(12) **United States Design Patent** (10) **Patent No.:** **US D782,957 S**
Dall'Era et al. (45) **Date of Patent:** **** Apr. 4, 2017**

(54) **DISPOSABLE AIRPLANE SEAT BACK
BARRIER SYSTEM WITH TRAY TABLE
SLEEVE AND SEATBACK COVER**

D705,581 S 5/2014 Luczak
D730,268 S * 5/2015 Dowell D12/416
9,051,087 B1 6/2015 Daniels
D758,498 S * 6/2016 Basil D21/392
D765,580 S * 9/2016 Pumphrey D12/415
D771,546 S 11/2016 Dall'Era

(71) Applicants: **Joseph Eric Dall'Era**, Denver, CO
(US); **Tara Thompson**, Denver, CO
(US)

(Continued)

Primary Examiner — Katrina A Betton

(72) Inventors: **Joseph Eric Dall'Era**, Denver, CO
(US); **Tara Thompson**, Denver, CO
(US)

(57) **CLAIM**

The ornamental design for a disposable airplane seat back barrier system with tray table sleeve and seatback cover, as shown.

(**) Term: **15 Years**

DESCRIPTION

(21) Appl. No.: **29/585,567**

(22) Filed: **Nov. 27, 2016**

(51) **LOC (10) Cl.** **12-16**

(52) **U.S. Cl.**
USPC **D12/416**

(58) **Field of Classification Search**
USPC D12/416, 415, 417-419, 423; D6/513,
D6/514, 611, 553, 556, 559;
D7/601-602, 605-607; D3/216, 217, 219
CPC B65D 33/00; B64D 11/0636; B60N 3/004
See application file for complete search history.

Cross-reference to related application Ser. No. 14/820,539 (filing date Aug. 6, 2015)

FIG. 1 is a left perspective view of a disposable airplane seat back barrier system and seatback cover. The right side view is a mirror image of the left side.

FIG. 2 is a front view of a disposable airplane seat back barrier system and seatback cover.

FIG. 3 is a back perspective view of a disposable airplane seat back barrier system and seatback cover.

FIG. 4 is a left perspective view of a disposable airplane seat back barrier system with tray table sleeve and seatback cover with environment of airplane seatback and tray table. FIG. 5 is a left perspective view of a disposable airplane seat back barrier system and seatback cover installed on airplane tray table; and,

FIG. 6 is a back perspective view of a disposable airplane seat back barrier system with tray table sleeve and seatback cover installed on airplane tray table.

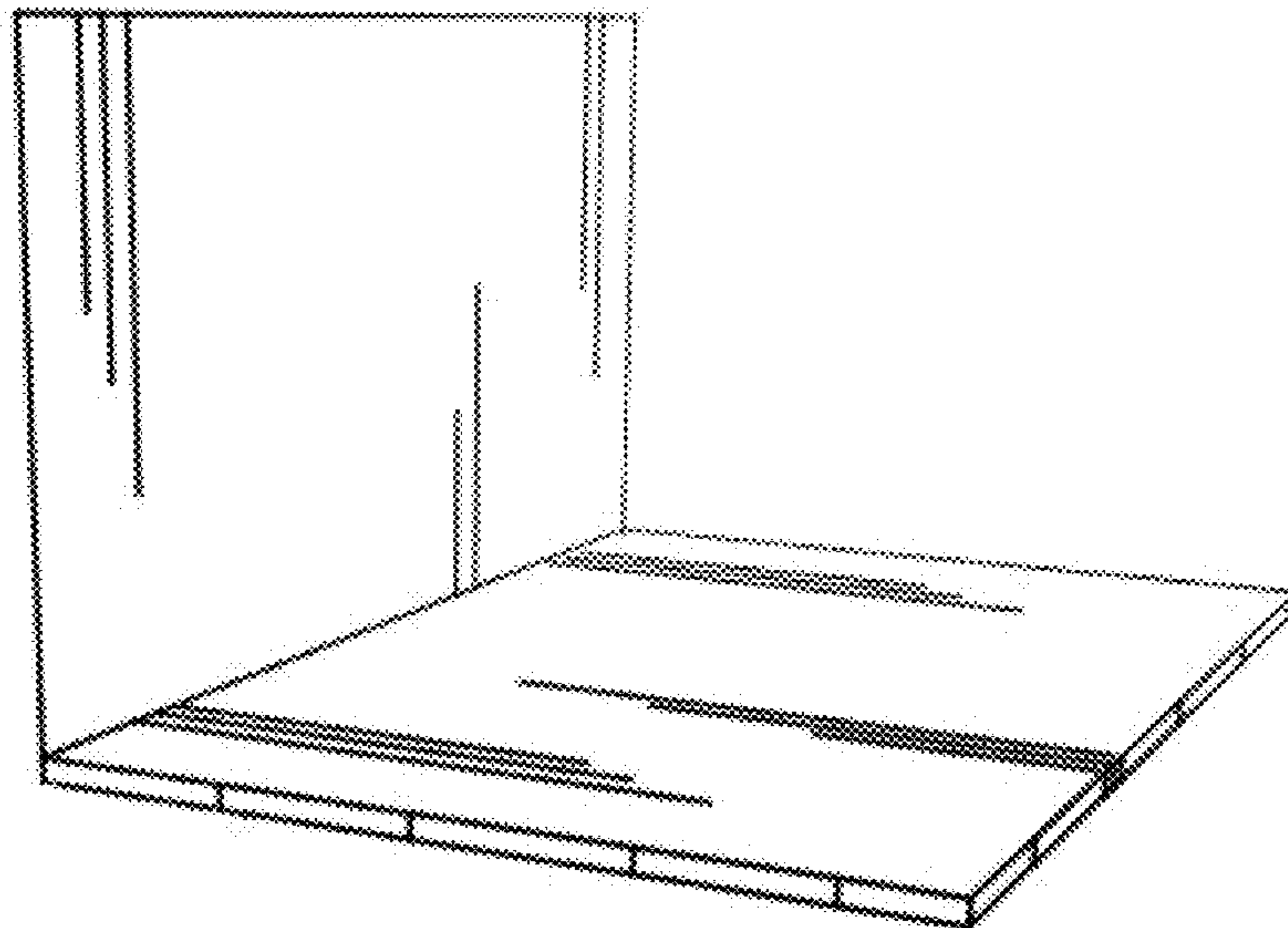
Broken line illustration of environmental structures (airplane seatback and tray table) is not part of the claimed design.

(56) **References Cited**

U.S. PATENT DOCUMENTS

5,005,491 A * 4/1991 Waterman B60N 3/007
108/152
D473,840 S * 4/2003 Sauer D12/416
7,841,658 B1 11/2010 Marble
7,976,099 B2 7/2011 Ferrara
D650,733 S * 12/2011 Cooney D12/416
D658,568 S * 5/2012 Currier D12/416
D677,966 S 3/2013 Natkin
8,459,265 B2 6/2013 Young

1 Claim, 3 Drawing Sheets



(56)

References Cited

U.S. PATENT DOCUMENTS

2012/0020586	A1	1/2012	Gilbert	
2013/0152946	A1	6/2013	Sosnowski	
2014/0014006	A1	1/2014	Clatterbuck	
2014/0377499	A1*	12/2014	Davino	B64D 11/0638 428/99

* cited by examiner

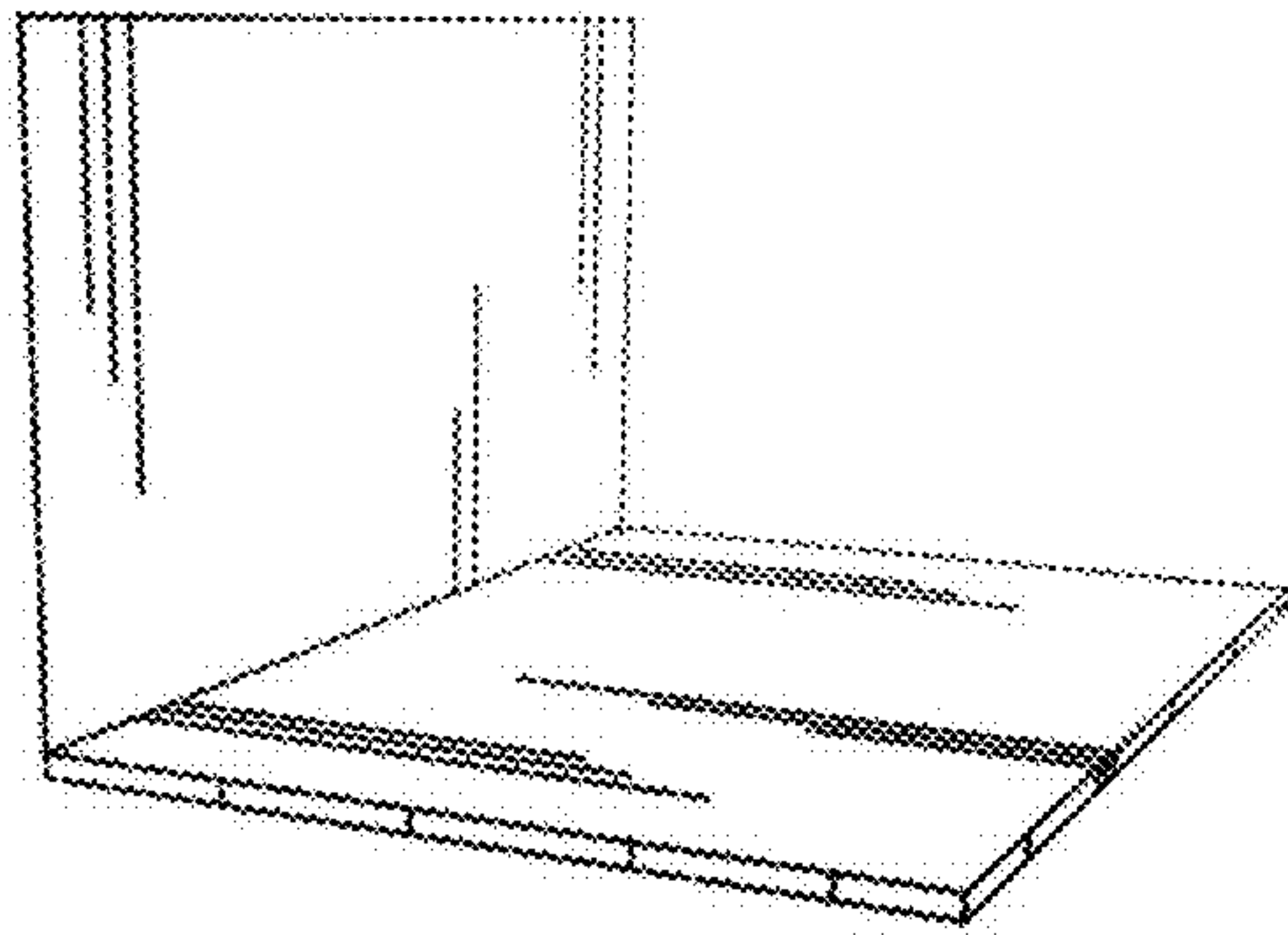


Figure 1

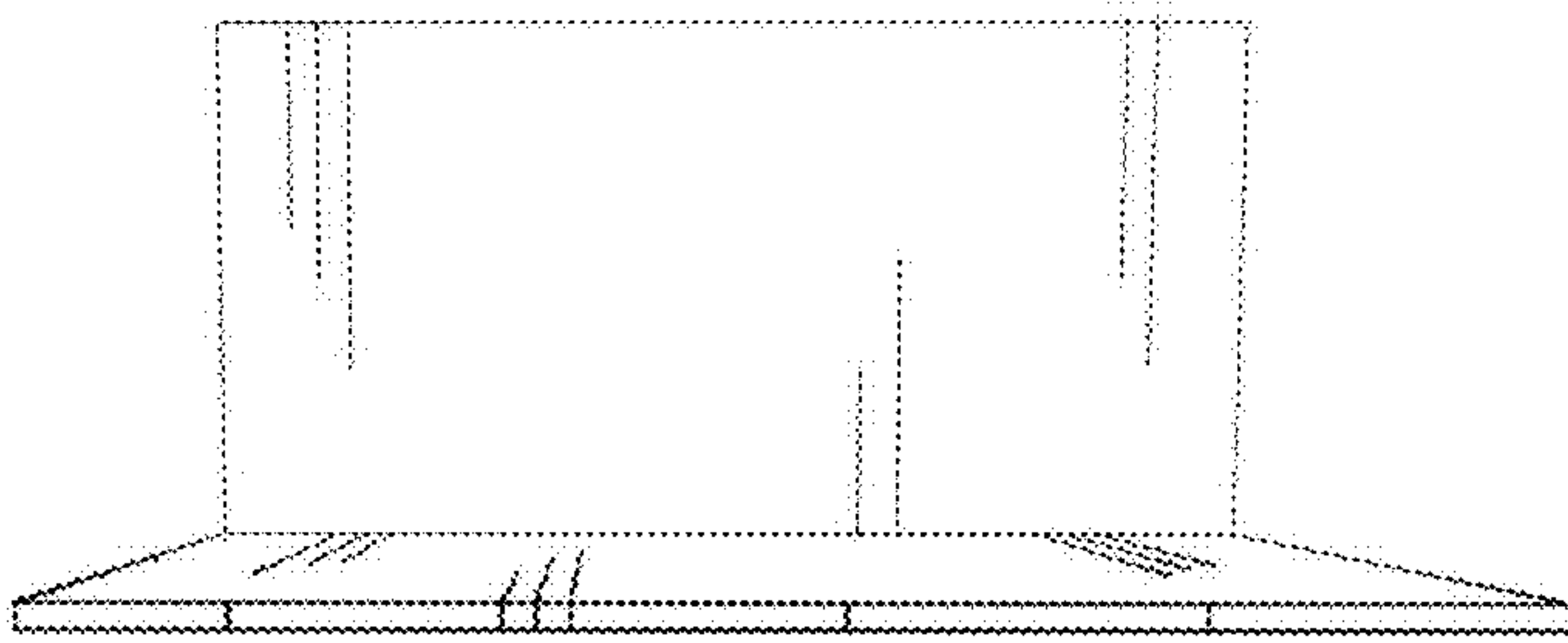


Figure 2

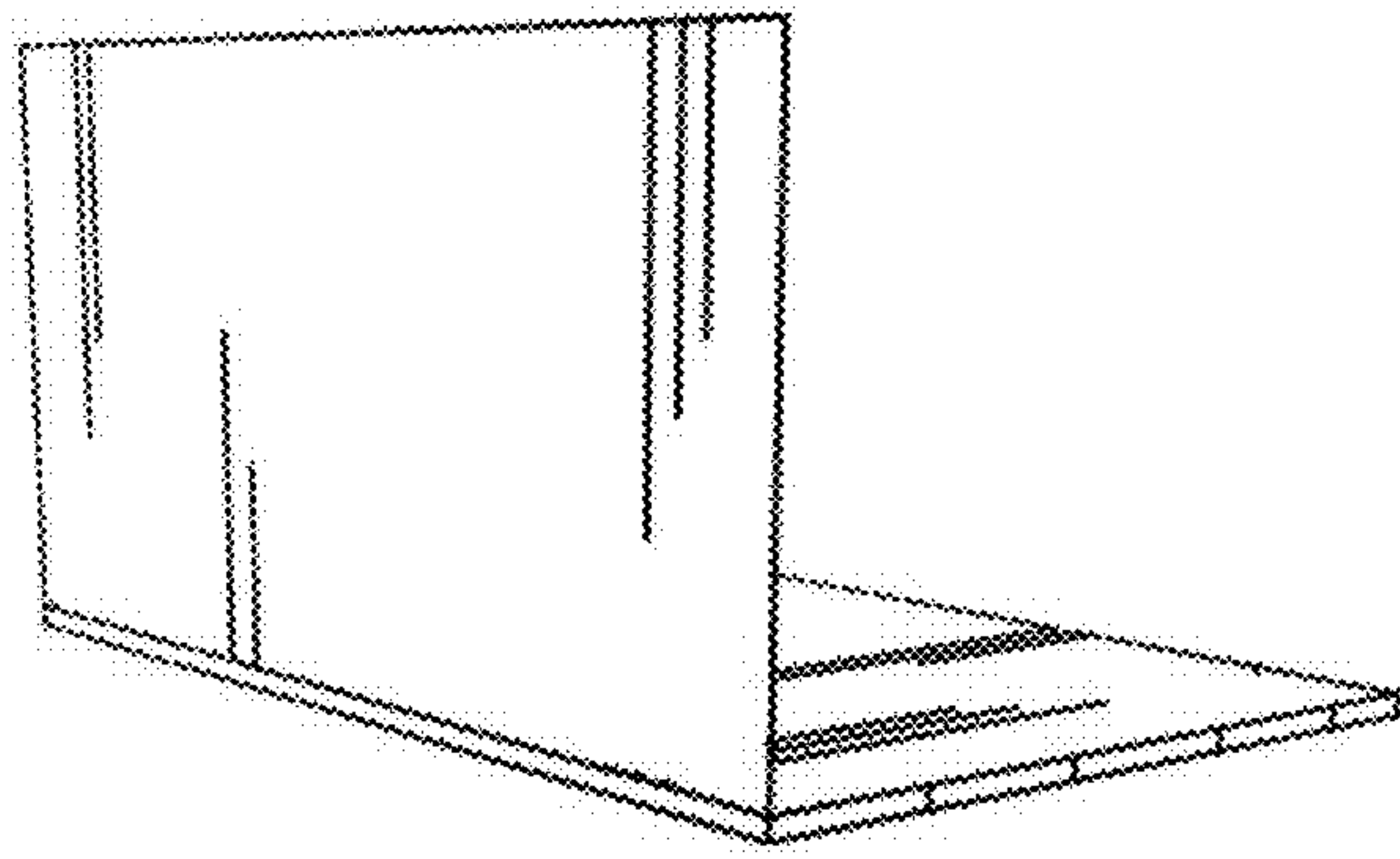


Figure 3

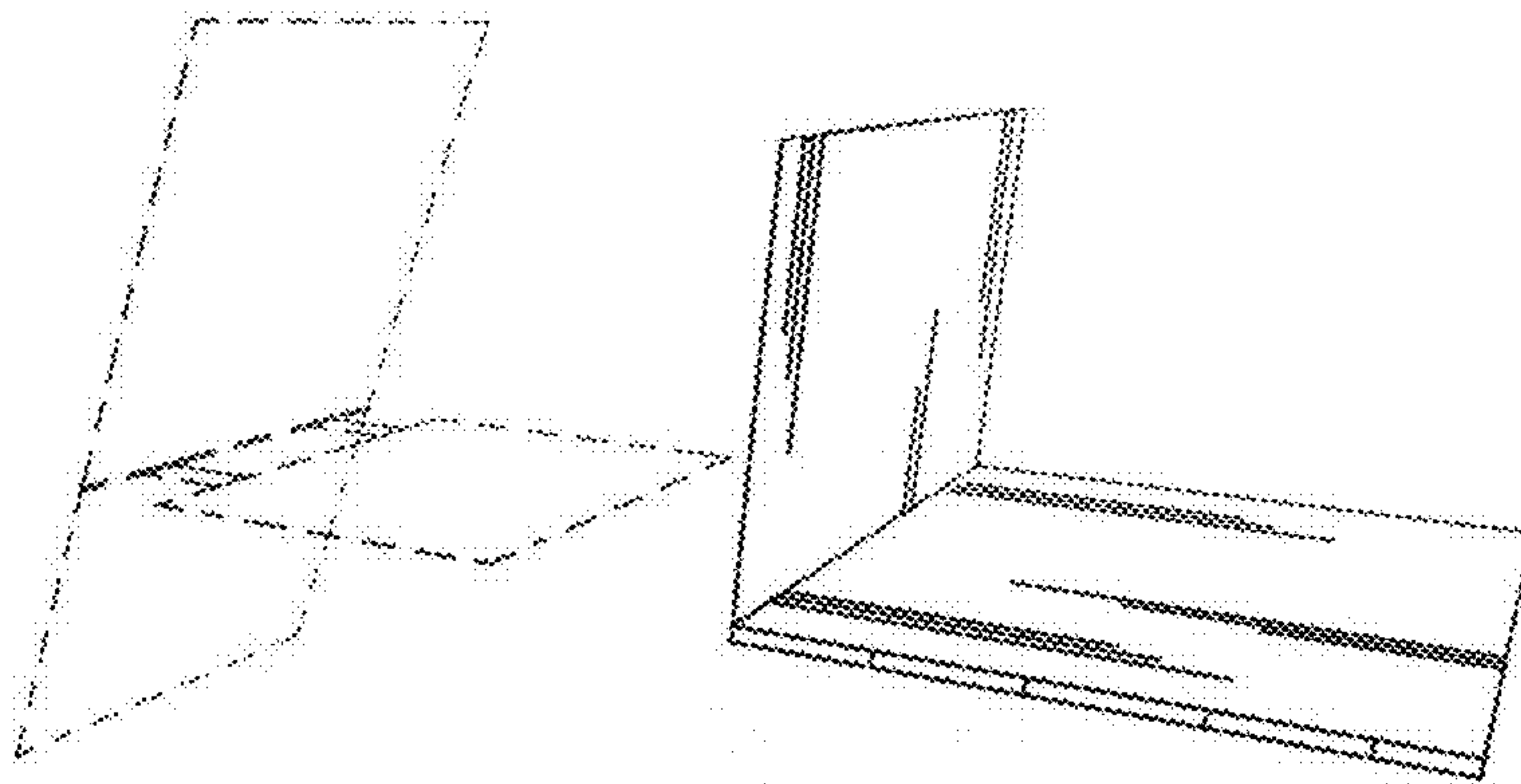


Figure 4

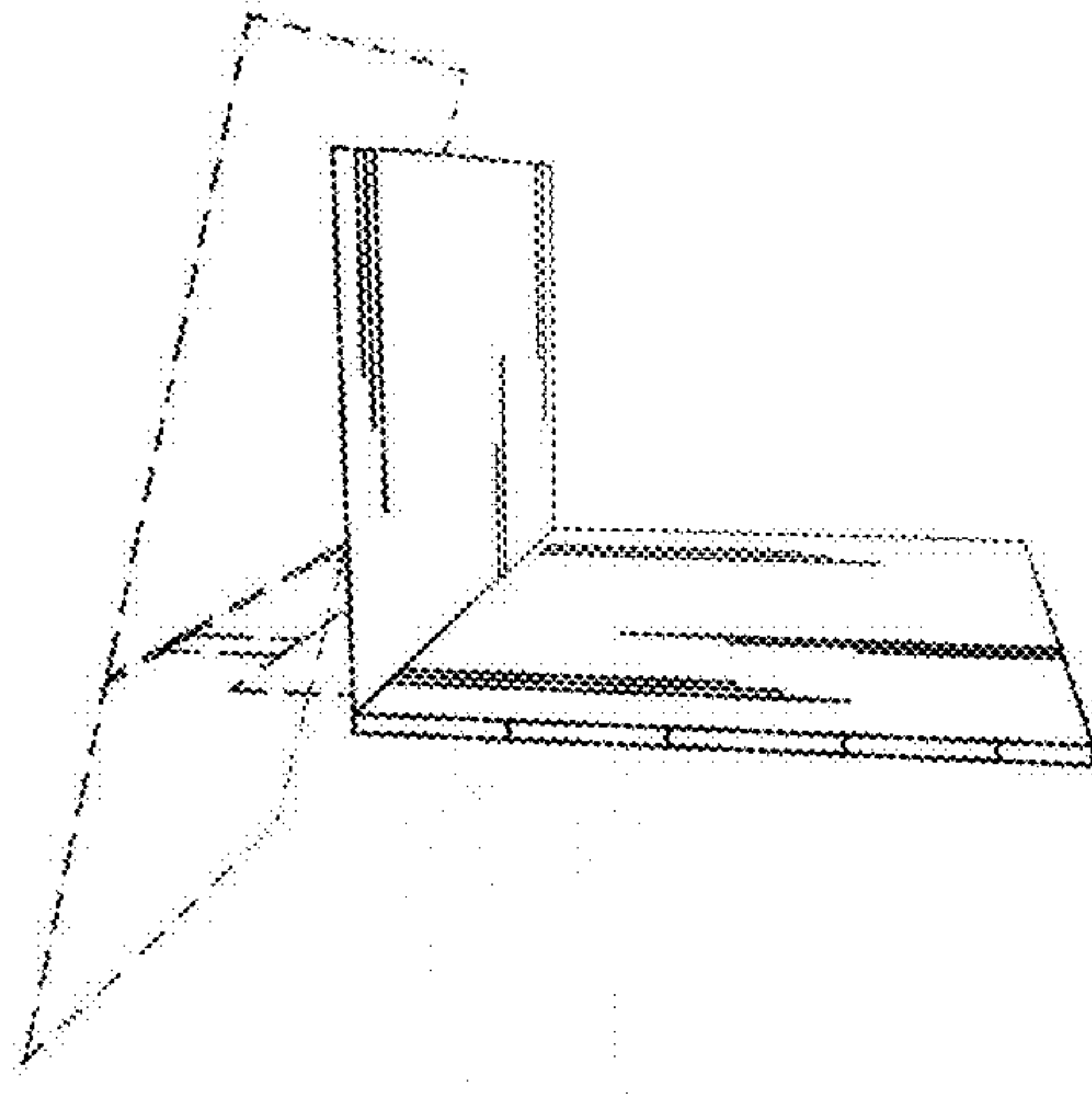


Figure 5

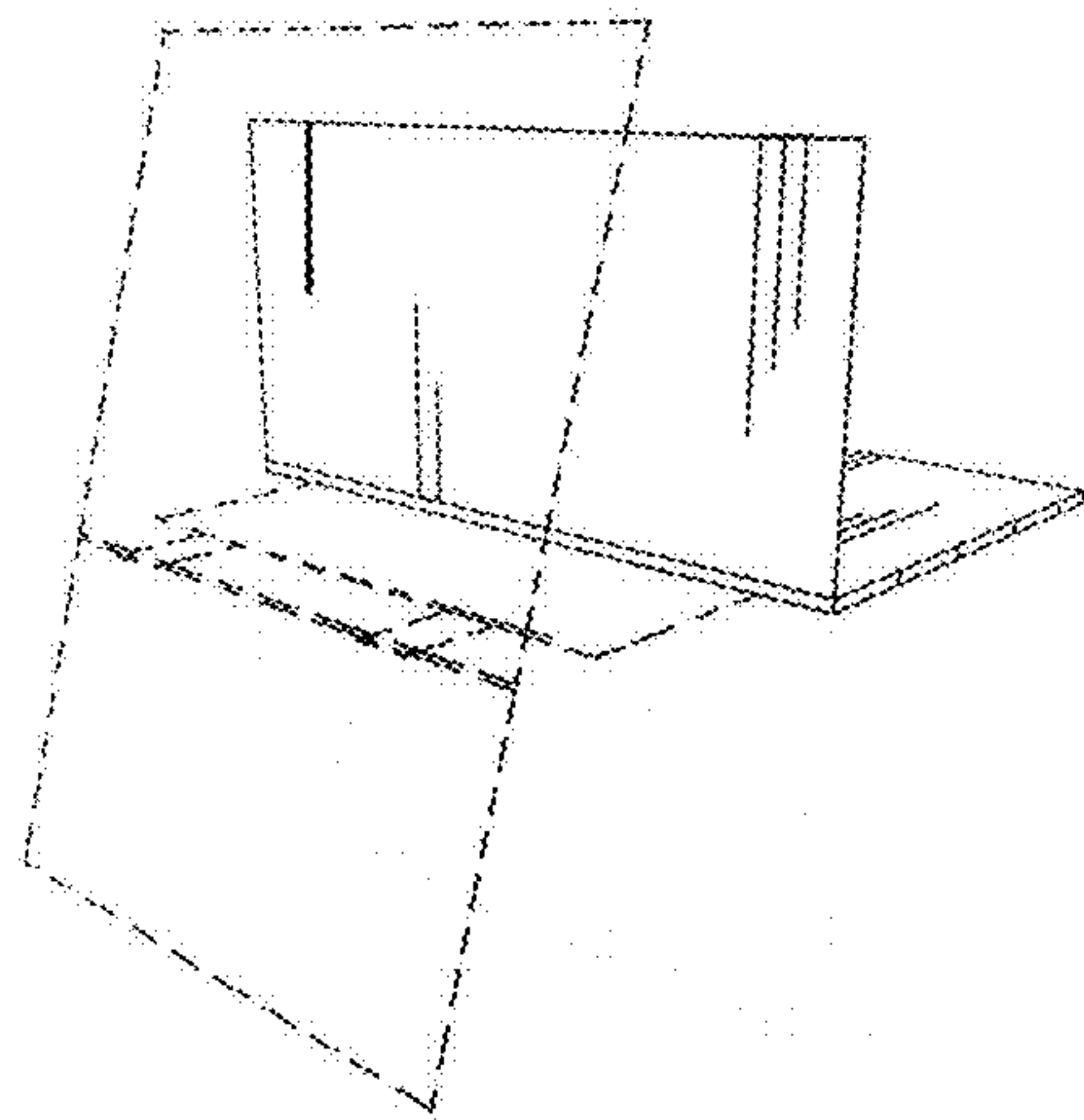


Figure 6