



US00D782956S

(12) **United States Design Patent**  
**Scott**

(10) **Patent No.:** **US D782,956 S**

(45) **Date of Patent:** **\*\* Apr. 4, 2017**

(54) **CABLE LUBRICATOR**

(71) Applicant: **Steven Richard Scott**, Curlew, WA  
(US)

(72) Inventor: **Steven Richard Scott**, Curlew, WA  
(US)

(73) Assignee: **Motion Pro, Inc.**, Loomis, CA (US)

(\*\*) Term: **15 Years**

(21) Appl. No.: **29/529,108**

(22) Filed: **Jun. 3, 2015**

(51) **LOC (10) Cl.** ..... **12-16**

(52) **U.S. Cl.**  
USPC ..... **D12/400**

(58) **Field of Classification Search**  
USPC ..... D12/107, 110, 114, 115, 117, 126, 400,  
D12/401, 404, 415, 423; D25/48.1, 48.3  
CPC . B60R 1/025; B60R 1/08; B62H 5/001; B62J  
9/006; B65D 43/16; B65D 43/22; B65D  
55/02; F21S 48/00; G01S 13/931  
See application file for complete search history.

(56) **References Cited**

U.S. PATENT DOCUMENTS

2,499,765	A *	3/1950	MacLaren	.....	A63F 9/08
					206/1.5
4,645,078	A *	2/1987	Reyner	.....	B65D 1/0292
					206/216
D347,048	S *	5/1994	Davis	.....	D23/259
D365,542	S *	12/1995	Robinson	.....	D12/607
D365,546	S *	12/1995	Stanton	.....	D12/400
D368,058	S *	3/1996	Robinson	.....	D12/607
5,950,506	A *	9/1999	Busse	.....	B25B 13/485
					411/402

D418,390	S *	1/2000	Marquis	.....	D8/312
D420,313	S *	2/2000	Sample	.....	D12/213
D426,175	S *	6/2000	Chin-Fong	.....	D12/114

(Continued)

OTHER PUBLICATIONS

Speedo Cable Noise, image post date Nov. 25, 2008, site visited Feb. 5, 2017, (online), <<http://www.c3vr.com/vrforums/message337996.html>>.\*

(Continued)

*Primary Examiner* — Kevin Rudzinski

*Assistant Examiner* — Sean D Lough

(74) *Attorney, Agent, or Firm* — Larry B. Guernsey;  
Patent Law Office of Larry Guernsey

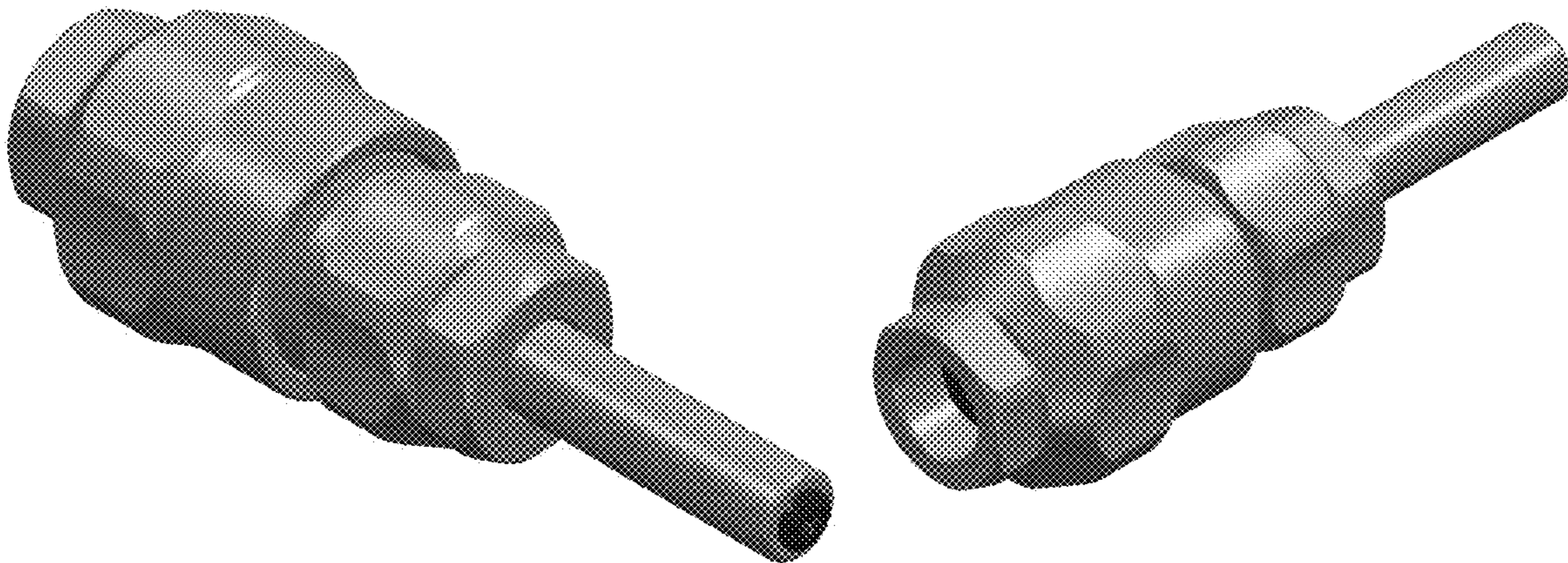
(57) **CLAIM**

The ornamental design for a cable lubricator, as shown and described above.

**DESCRIPTION**

FIG. 1 is a top plan view of an ornamental design for a cable lubricator of the present invention;  
FIG. 2 is a front view of an ornamental design for a cable lubricator of the present invention;  
FIG. 3 is a right side view of an ornamental design for a cable lubricator of the present invention;  
FIG. 4 is a rear view of an ornamental design for a cable lubricator of the present invention;  
FIG. 5 is a left side view of an ornamental design for a cable lubricator of the present invention;  
FIG. 6 is a bottom plan view of an ornamental design for a cable lubricator of the present invention;  
FIG. 7 is a right side isometric view of an ornamental design for a cable lubricator of the present invention; and,  
FIG. 8 is a left side isometric view of an ornamental design for a cable lubricator of the present invention.

**1 Claim, 8 Drawing Sheets**



(56)

References Cited

U.S. PATENT DOCUMENTS

6,220,636 B1 \* 4/2001 Veloskey ..... A47L 9/242  
 285/261  
 6,279,961 B1 \* 8/2001 Stoltz ..... F16L 27/125  
 15/1.7  
 D450,290 S \* 11/2001 Schardt ..... D12/213  
 D462,043 S \* 8/2002 Choi ..... D12/213  
 D466,856 S \* 12/2002 Gates ..... D12/223  
 D477,804 S \* 7/2003 Medder ..... D12/196  
 D482,650 S \* 11/2003 Ludwick ..... D12/400  
 D486,768 S \* 2/2004 Ripkey ..... D12/197  
 D507,213 S \* 7/2005 Friga ..... D12/162  
 D526,939 S \* 8/2006 Profitt ..... D12/162  
 D544,819 S \* 6/2007 Miller ..... D12/180  
 D566,630 S \* 4/2008 Ortiz ..... D12/159  
 D569,313 S \* 5/2008 Korner ..... D12/159  
 D600,177 S \* 9/2009 Komiyama ..... D12/179  
 D607,381 S \* 1/2010 Lekkas ..... D12/162  
 D608,422 S \* 1/2010 Forsythe ..... D23/262  
 D612,772 S \* 3/2010 Goodman ..... D12/162  
 D622,207 S \* 8/2010 Pelini ..... D12/400  
 D658,481 S \* 5/2012 Pratt ..... D8/349  
 D661,975 S \* 6/2012 Mahaffey ..... D8/330  
 D677,198 S \* 3/2013 Verbowski ..... D12/159  
 D686,113 S \* 7/2013 Lin ..... D12/114  
 D695,584 S \* 12/2013 Chen ..... D8/70  
 D709,753 S \* 7/2014 Guala ..... D24/112  
 D713,705 S \* 9/2014 Mina ..... D8/397  
 D716,716 S \* 11/2014 Satou ..... D12/400  
 D721,315 S \* 1/2015 Delavy ..... D12/207  
 D735,760 S \* 8/2015 Arellano ..... D15/5

D737,731 S \* 9/2015 McNeeley ..... D12/118  
 D738,197 S \* 9/2015 Schaffert ..... D8/366  
 D738,714 S \* 9/2015 Kuhmichel ..... D8/397  
 D748,972 S \* 2/2016 Primeau ..... D8/397  
 D750,771 S \* 3/2016 Malin ..... D24/121  
 D757,613 S \* 5/2016 Amidon ..... D12/114  
 9,404,521 B2 \* 8/2016 Toosky ..... F16B 19/1081  
 D777,671 \* 1/2017 Ishiguro ..... D13/133  
 2007/0027432 A1 \* 2/2007 Radford ..... A61B 19/0287  
 604/317  
 2009/0154184 A1 \* 6/2009 King ..... F21S 48/1721  
 362/513  
 2010/0206021 A1 \* 8/2010 Tribout ..... B62H 5/001  
 70/233  
 2013/0200106 A1 \* 8/2013 Kang ..... B65D 55/02  
 222/153.13  
 2014/0109328 A1 \* 4/2014 Rauch ..... A61B 90/70  
 15/104.05  
 2016/0009459 A1 \* 1/2016 Miyamoto ..... B43K 23/08  
 220/259.1

OTHER PUBLICATIONS

Aircraft Inline Mini Oler Druckluft, image post date Jul. 24, 2008, site visited Feb. 5, 2017, (online), <<https://www.tineye.com/search/fcc5a3dafbb241de158910c9ac682dee217f8561/>>.\*  
 Lincoln 600008 Regulator, image post date Oct. 23, 2013, site visited Feb. 5, 2017, (online), <[https://www.tineye.com/search/7ae6137e461564b35d0f36630bda7a1d27aec2bf/?extension\\_ver=>](https://www.tineye.com/search/7ae6137e461564b35d0f36630bda7a1d27aec2bf/?extension_ver=>)>.\*

\* cited by examiner

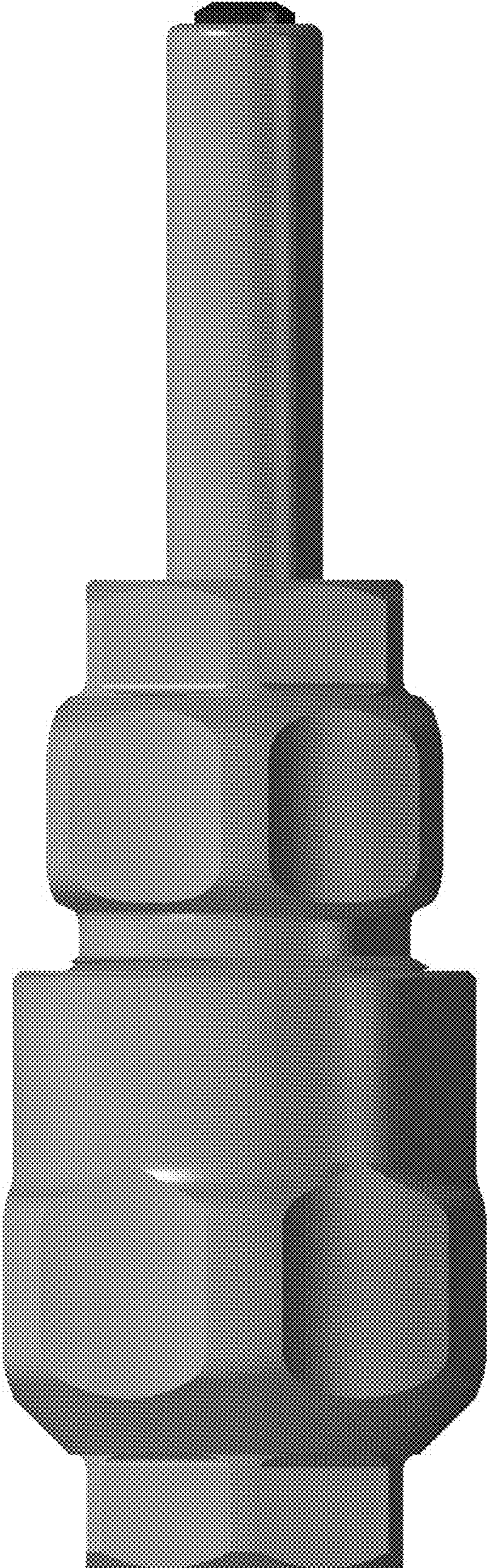


FIGURE 1

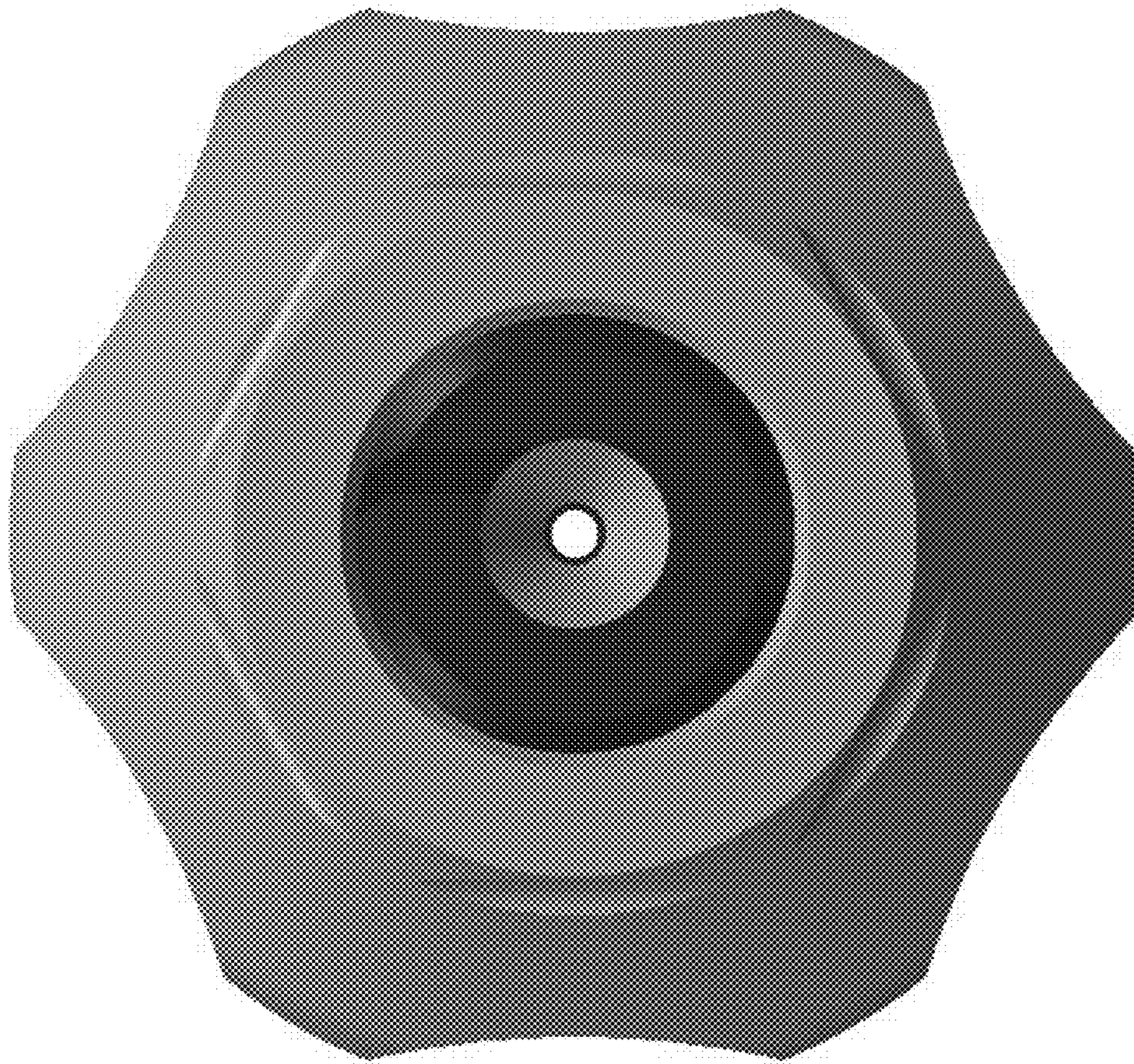


FIGURE 2

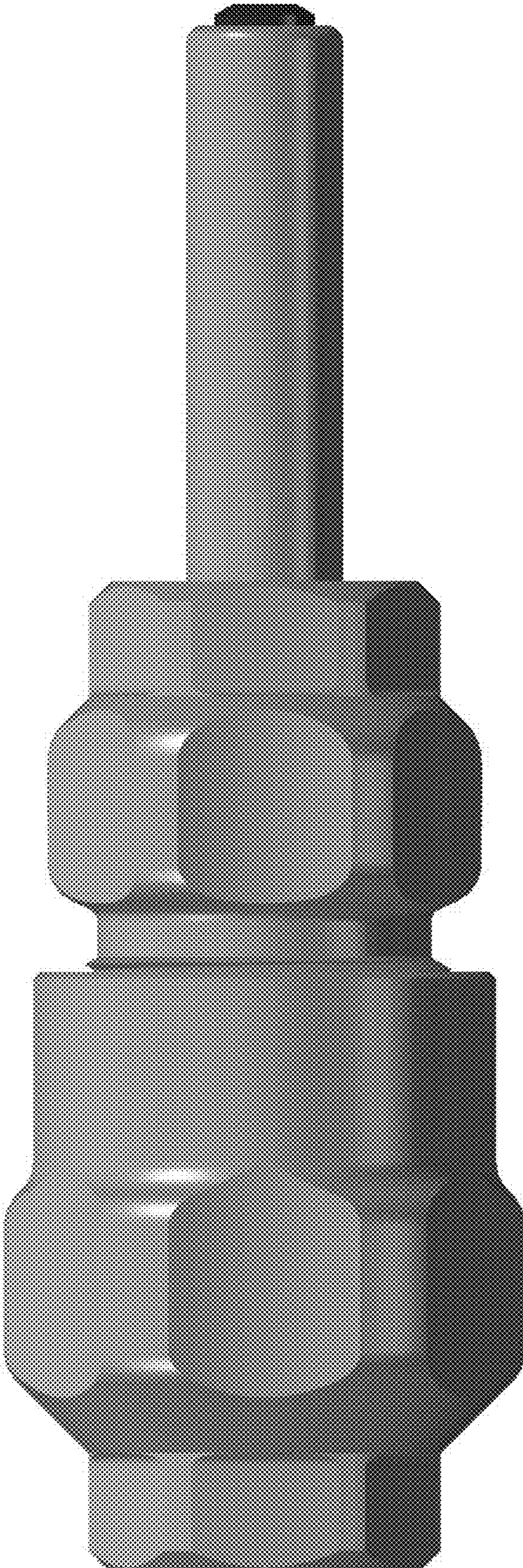


FIGURE 3

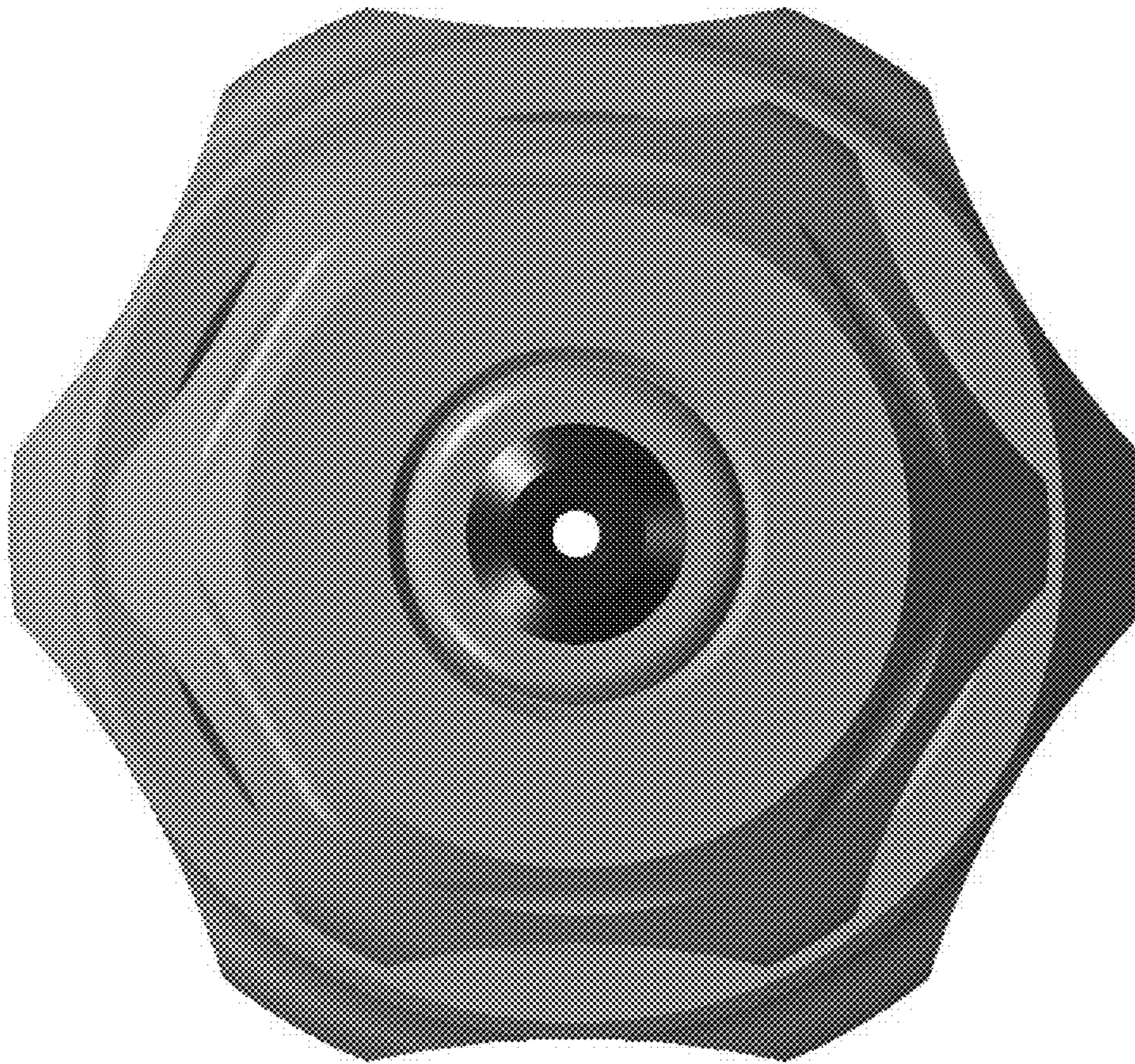


FIGURE 4

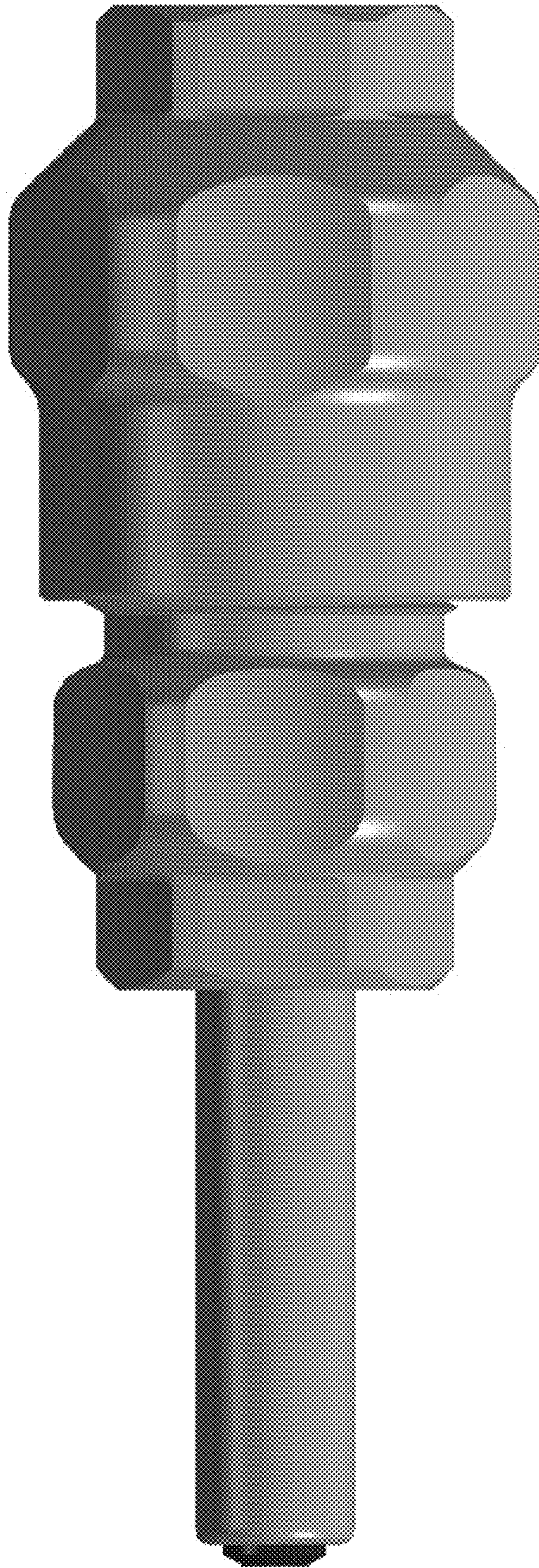


FIGURE 5

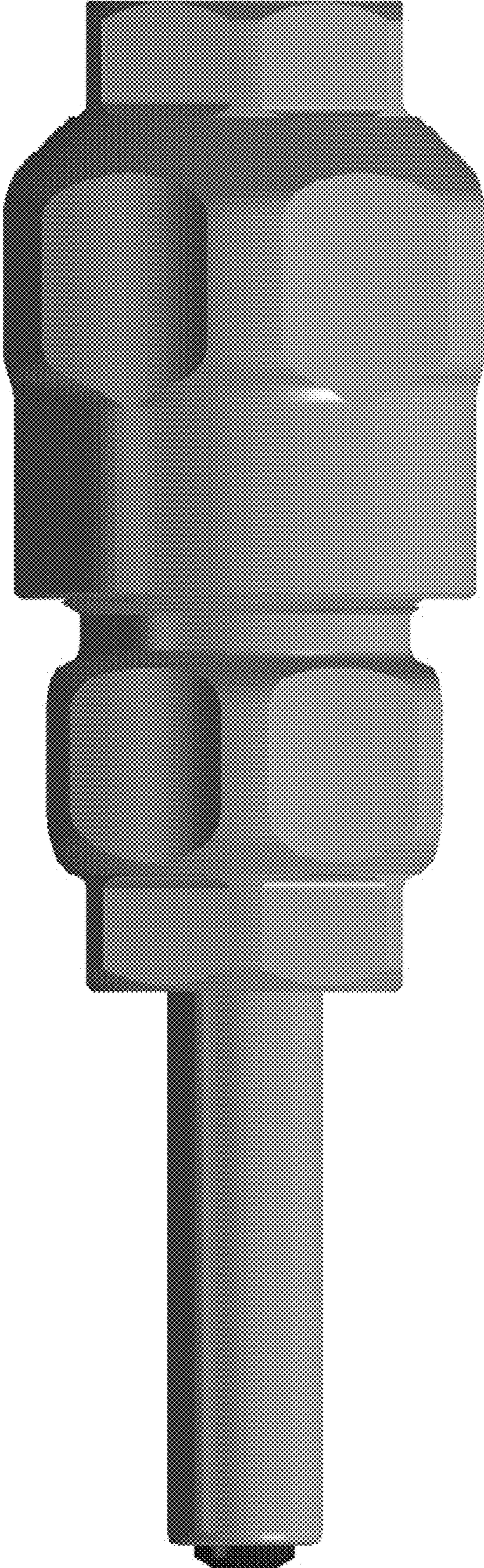


FIGURE 6



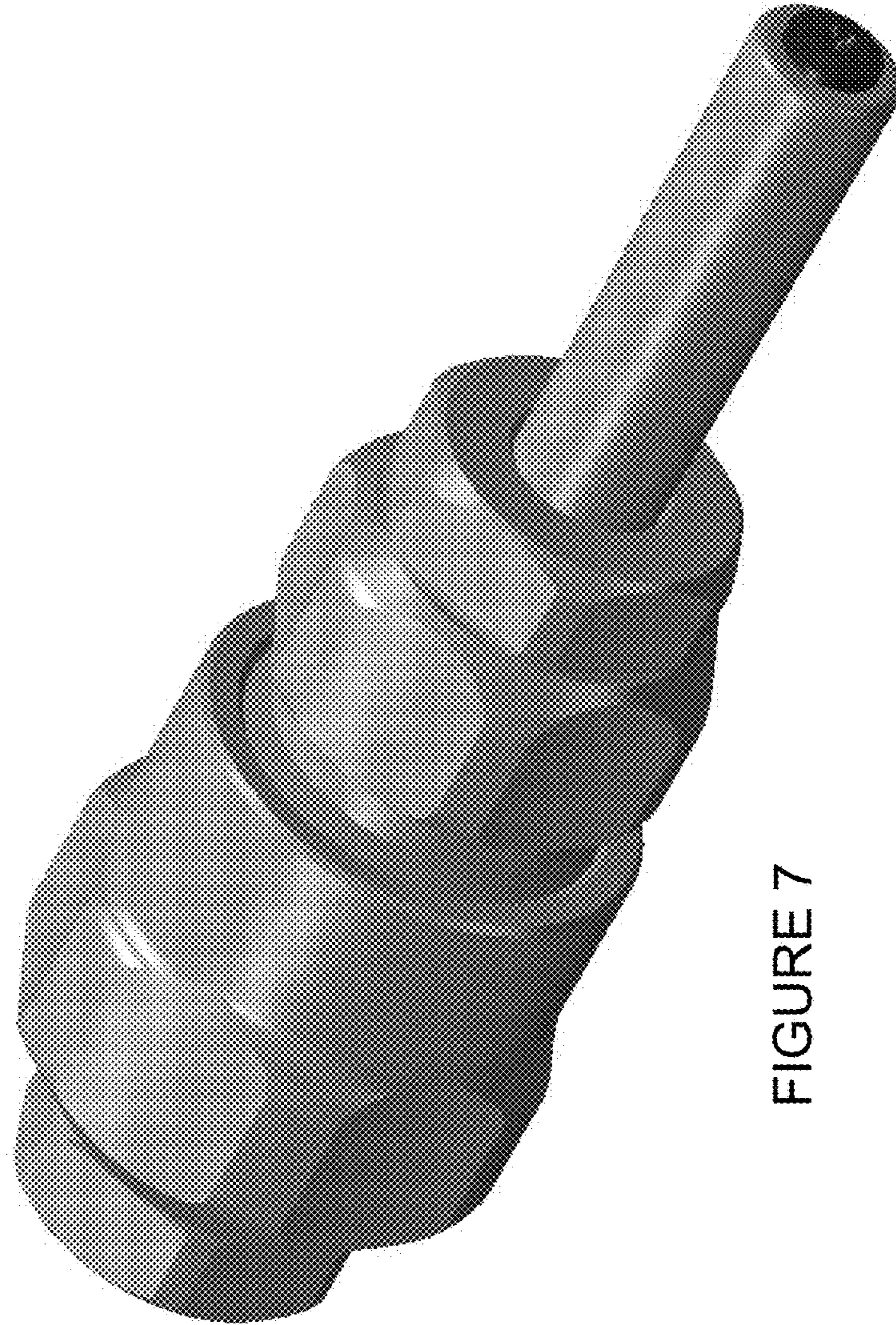


FIGURE 7

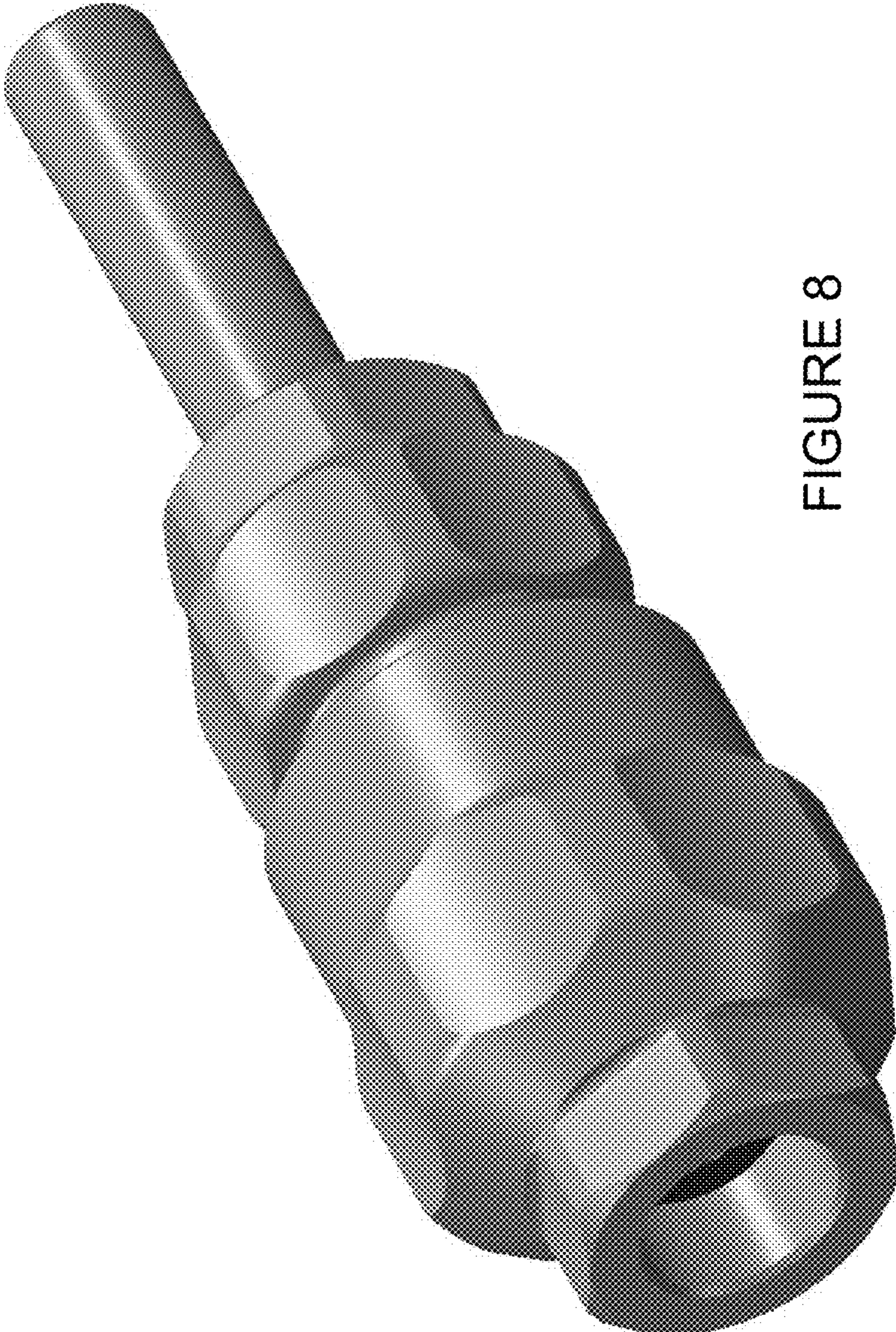


FIGURE 8