



US00D782955S

(12) **United States Design Patent**
Zhao

(10) **Patent No.:** **US D782,955 S**

(45) **Date of Patent:** **** Apr. 4, 2017**

- (54) **AUTOMOBILE WHEEL**
- (71) Applicant: **WAH HUNG GROUP INC.**, Monterey Park, CA (US)
- (72) Inventor: **John Zhao**, Monterey Park, CA (US)
- (73) Assignee: **Wah Hung Group Inc.**, Monterey Park, CA (US)

(**) Term: **15 Years**

(21) Appl. No.: **29/554,504**

(22) Filed: **Feb. 11, 2016**

(51) **LOC (10) Cl.** **12-16**

(52) **U.S. Cl.**
USPC **D12/211**

(58) **Field of Classification Search**
USPC D12/204–213
CPC B60B 7/00; B60B 7/02; B60B 7/04; B60B 7/01; B60B 7/06; B60B 3/02; B60B 3/04; B60B 3/06; B60B 3/10; B60B 1/00; B60B 1/08; B60B 1/10; B60B 1/12
See application file for complete search history.

(56) **References Cited**

U.S. PATENT DOCUMENTS

D554,037 S	*	10/2007	Chung	D12/211
D684,101 S	*	6/2013	Alfonso	D12/211
D691,545 S	*	10/2013	Gordon	D12/211
D695,195 S	*	12/2013	Chung	D12/211
D695,201 S	*	12/2013	Zhao	D12/211
D698,300 S	*	1/2014	Chung	D12/211
D704,121 S	*	5/2014	Chung	D12/211
D704,122 S	*	5/2014	Chung	D12/211
D704,616 S	*	5/2014	Chung	D12/211
D706,697 S	*	6/2014	Chung	D12/209
D706,702 S	*	6/2014	Chung	D12/211

D715,724 S	*	10/2014	Chung	D12/211
D723,992 S	*	3/2015	Zhao	D12/209
D726,621 S		4/2015	Alfonso		
D735,631 S	*	8/2015	Chung	D12/211
D764,374 S	*	8/2016	Chung	D12/211
D764,375 S	*	8/2016	Chung	D12/211

OTHER PUBLICATIONS

Search Results forIN/ernie and IN/alfonso on Dec. 21, 2014.
Search results of IN/john and TTL/wheel and IN/zhao on Feb. 10, 2016.
U.S. Appl. No. 29/508,262, Ernie Alfonso, filed Nov. 4, 2014.
U.S. Appl. No. 29/508,266, Ernie Alfonso, filed Nov. 4, 2014.
U.S. Appl. No. 29/508,268, Ernie Alfonso, filed Nov. 4, 2014.
U.S. Appl. No. 29/508,269, Ernie Alfonso, filed Nov. 4, 2014.
U.S. Appl. No. 29/508,270, Ernie Alfonso, filed Nov. 4, 2014.
U.S. Appl. No. 29/508,271, Ernie Alfonso, filed Nov. 4, 2014.
U.S. Appl. No. 29/544,270, filed Feb. 1, 2015, Ernie Alfonso.
U.S. Appl. No. 29/544,262, filed Nov. 2, 2015, Alfonso.
U.S. Appl. No. 29/544,267, filed Feb. 1, 2015, Ernie Alfonso.
U.S. Appl. No. 29/544,268, filed Feb. 2, 2015, Ernie Alfonso.
U.S. Appl. No. 29/544,272, filed Nov. 2, 2015, Ernie Alfonso.

* cited by examiner

Primary Examiner — Stacia Cadmus

(74) *Attorney, Agent, or Firm* — Payam Moradian

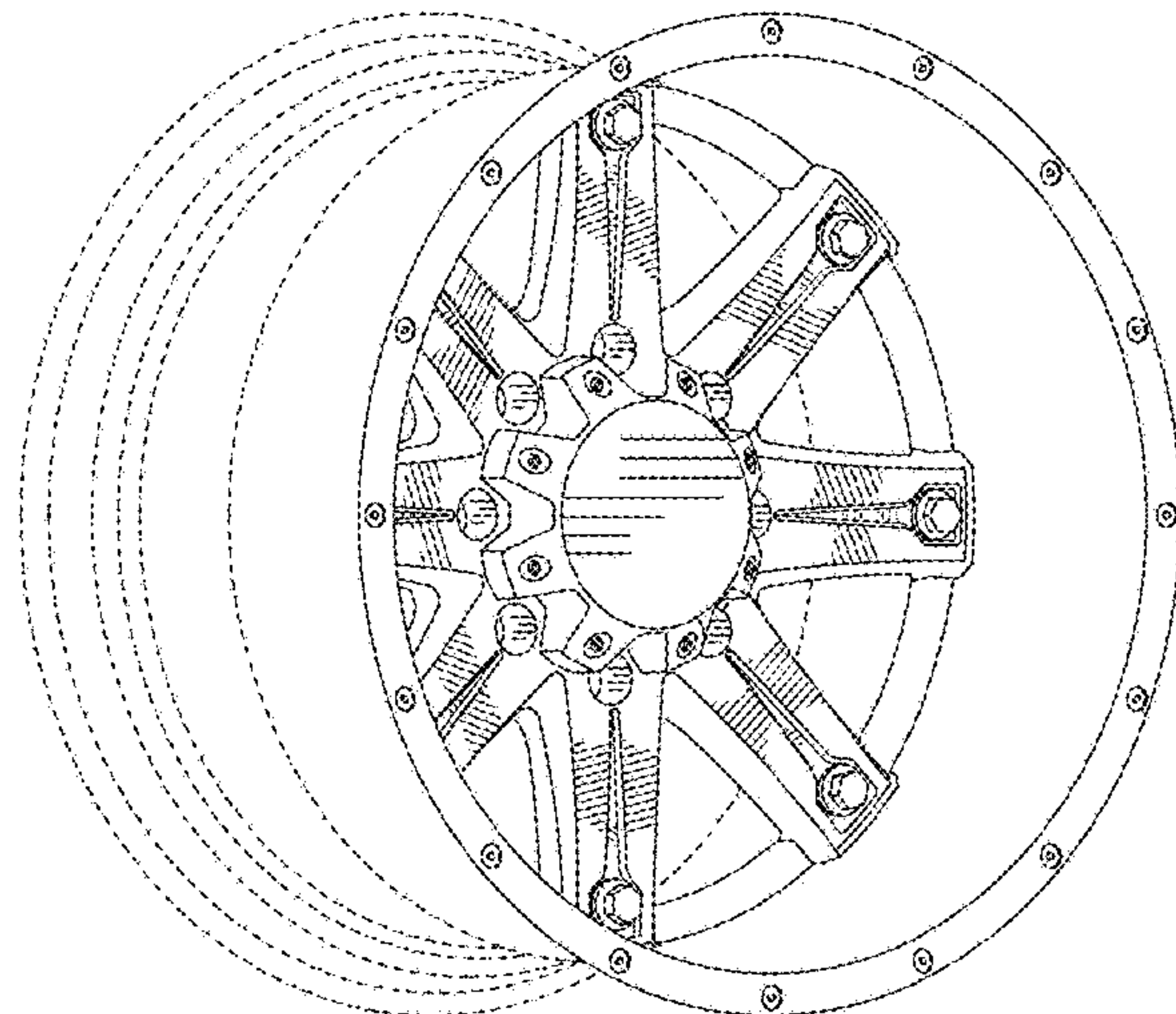
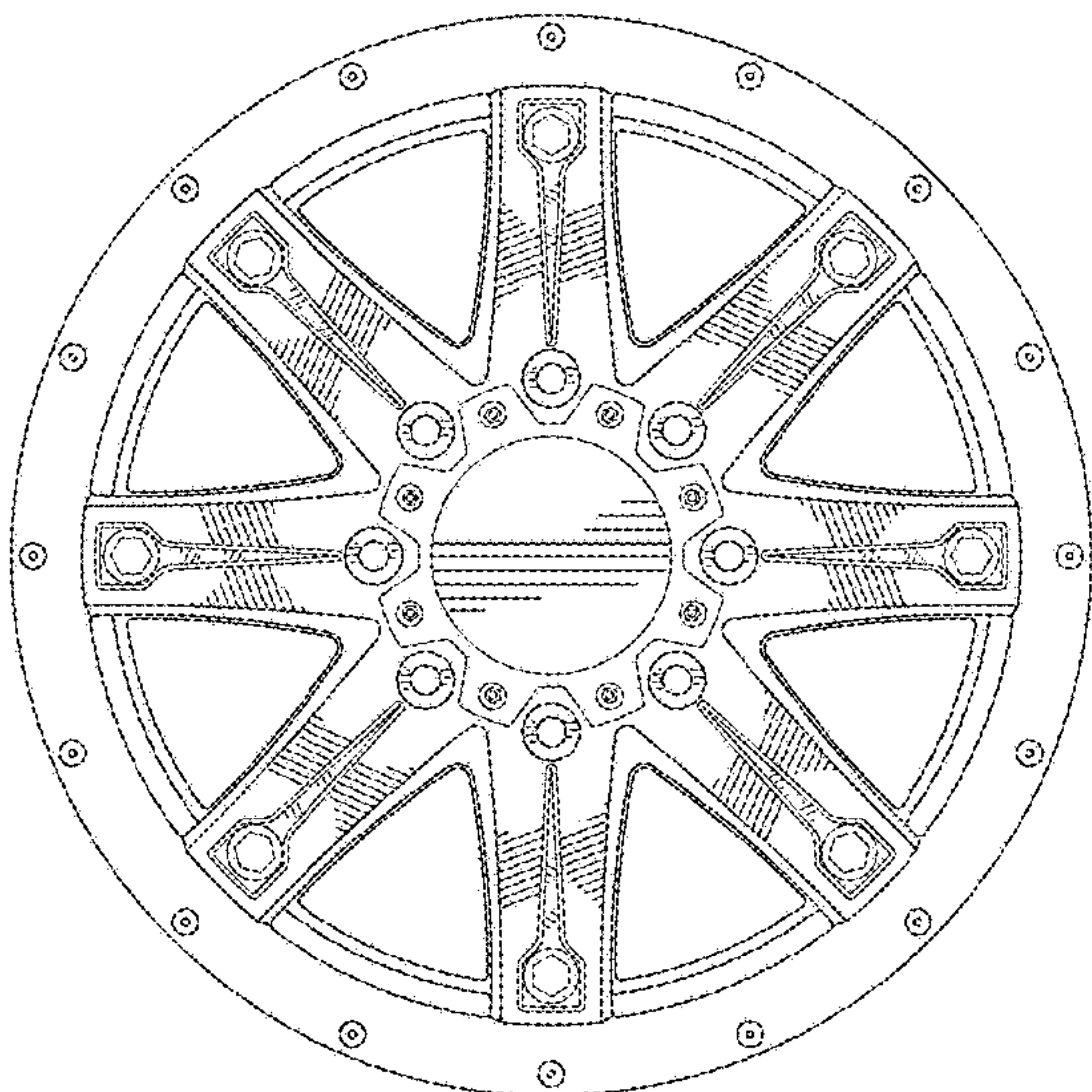
(57) **CLAIM**

I claim the ornamental design for an automobile wheel, as shown and described.

DESCRIPTION

FIG. 1 is a front elevational view of an automobile wheel; and,
FIG. 2 is a perspective view thereof.
The broken line showing of the rear of the rim is included for the purpose of illustrating environmental subject matter and forms no part of the claimed design.

1 Claim, 2 Drawing Sheets



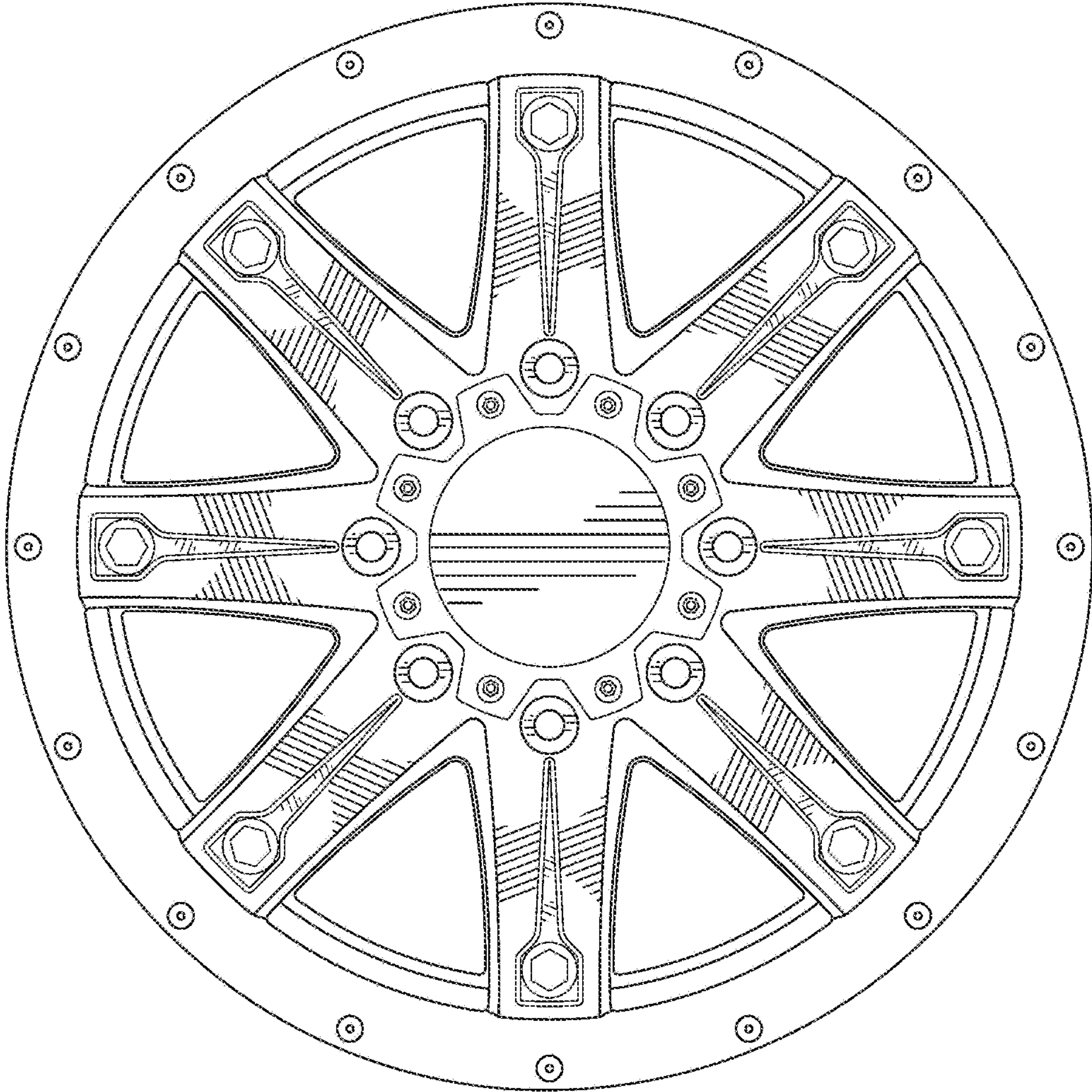


FIG. 1

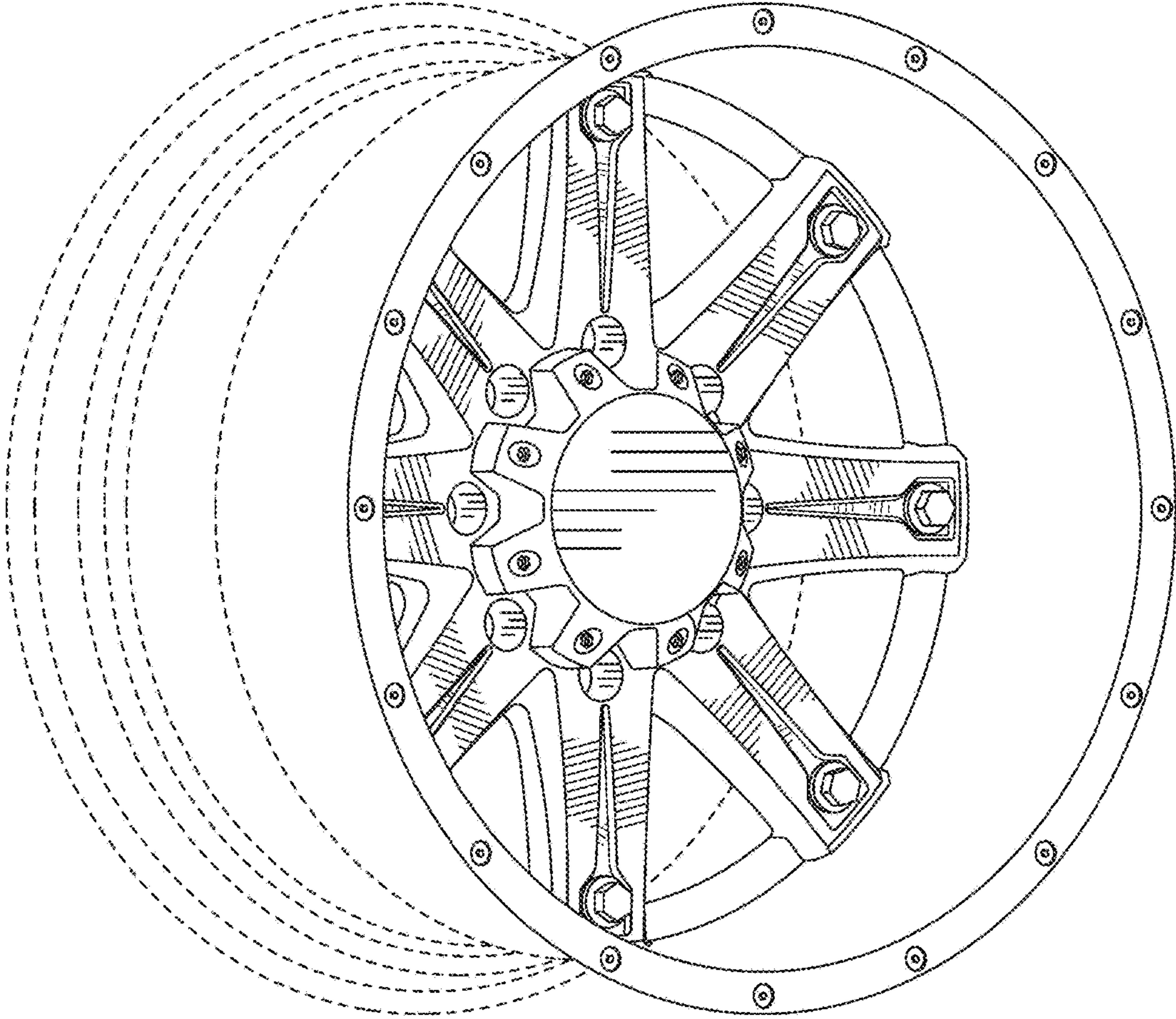


FIG. 2