



US00D782954S

(12) **United States Design Patent**
Liffick

(10) **Patent No.:** **US D782,954 S**

(45) **Date of Patent:** **** Apr. 4, 2017**

(54) **VEHICLE WHEEL**

(71) Applicant: **Quarsa, LLC**, Chino, CA (US)

(72) Inventor: **Fenton Liffick**, Anaheim Hills, CA (US)

(73) Assignee: **Quarsa, LLC**, Chino, CA (US)

(**) Term: **15 Years**

(21) Appl. No.: **29/541,449**

(22) Filed: **Oct. 2, 2015**

(51) **LOC (10) Cl.** **12-16**

(52) **U.S. Cl.**
USPC **D12/211**

(58) **Field of Classification Search**
USPC D12/204–213
CPC B60B 7/00; B60B 7/01; B60B 7/02; B60B 7/04; B60B 7/06; B60B 3/02; B60B 3/04; B60B 3/06; B60B 3/10; B60B 1/00; B60B 1/08; B60B 1/10; B60B 1/12
See application file for complete search history.

(56) **References Cited**

U.S. PATENT DOCUMENTS

D225,626 S	*	12/1972	Davidson	D12/205
D339,561 S	*	9/1993	Maiworm	D12/211
D352,492 S	*	11/1994	Boyer	D12/211
D460,035 S	*	7/2002	Wiesinger	D12/211
D466,851 S	*	12/2002	Pfeiffer	D12/211
D532,357 S	*	11/2006	Pfeiffer	D12/211
D556,113 S	*	11/2007	Celik	D12/211

D610,516 S	*	2/2010	Dilber	D12/211
D632,239 S	*	2/2011	Gallert	D12/211
D658,105 S	*	4/2012	Hans	D12/211
D666,959 S	*	9/2012	Lucaora	D12/211
D681,537 S	*	5/2013	Zhao	D12/211
D690,252 S	*	9/2013	Bernoni	D12/211
D697,014 S	*	1/2014	Stolz	D12/211
D708,562 S	*	7/2014	Kern	D12/211
D726,627 S	*	4/2015	Chung	D12/211
D731,945 S	*	6/2015	Kern	D12/211
D732,452 S	*	6/2015	Chung	D12/211
D753,046 S	*	4/2016	Liffick	D12/209

* cited by examiner

Primary Examiner — Sandra Snapp

Assistant Examiner — Katherine Glennon

(74) *Attorney, Agent, or Firm* — Snell & Wilmer LLP

(57) **CLAIM**

I claim the ornamental design for a vehicle wheel, as shown and described.

DESCRIPTION

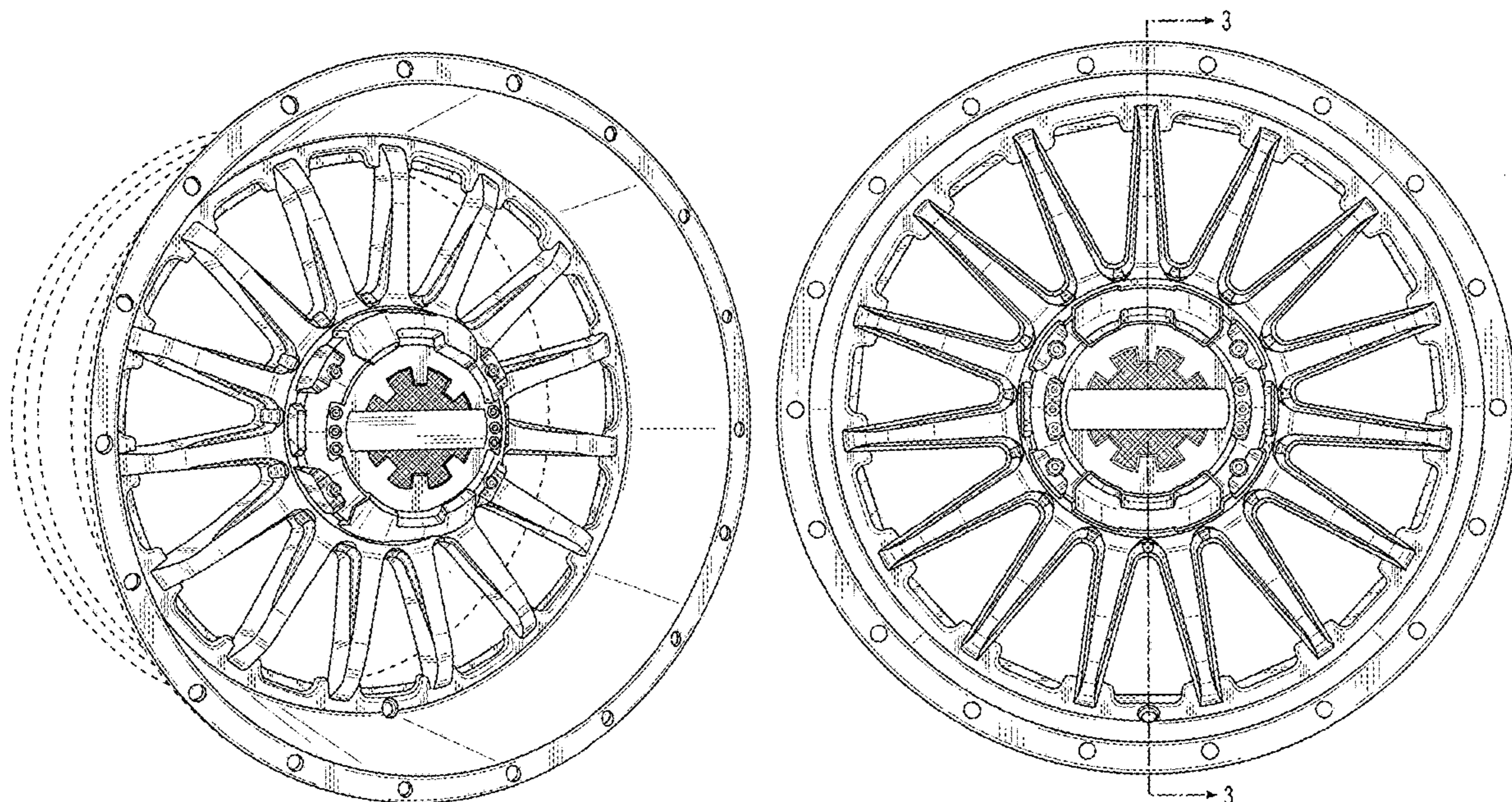
FIG. 1 is a perspective view of the vehicle wheel showing my new design;

FIG. 2 is a front view of the vehicle wheel; and,

FIG. 3 is a cross-sectional view taken along the line 3-3 of FIG. 2.

The broken lines showing the rear portion of the vehicle wheel are included for the purpose of illustrating environment and forms no part of the claimed design.

1 Claim, 3 Drawing Sheets



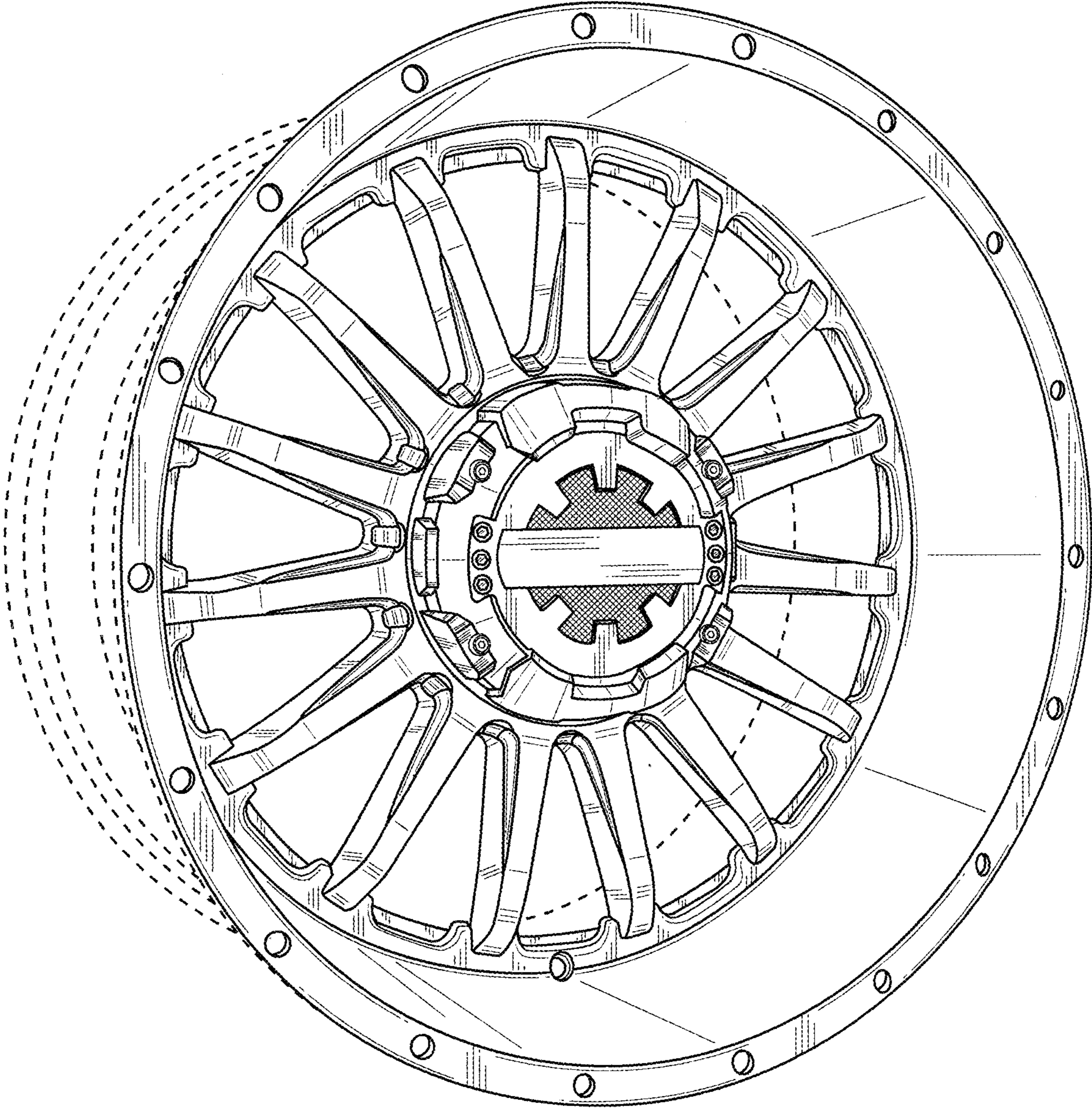


FIG. 1

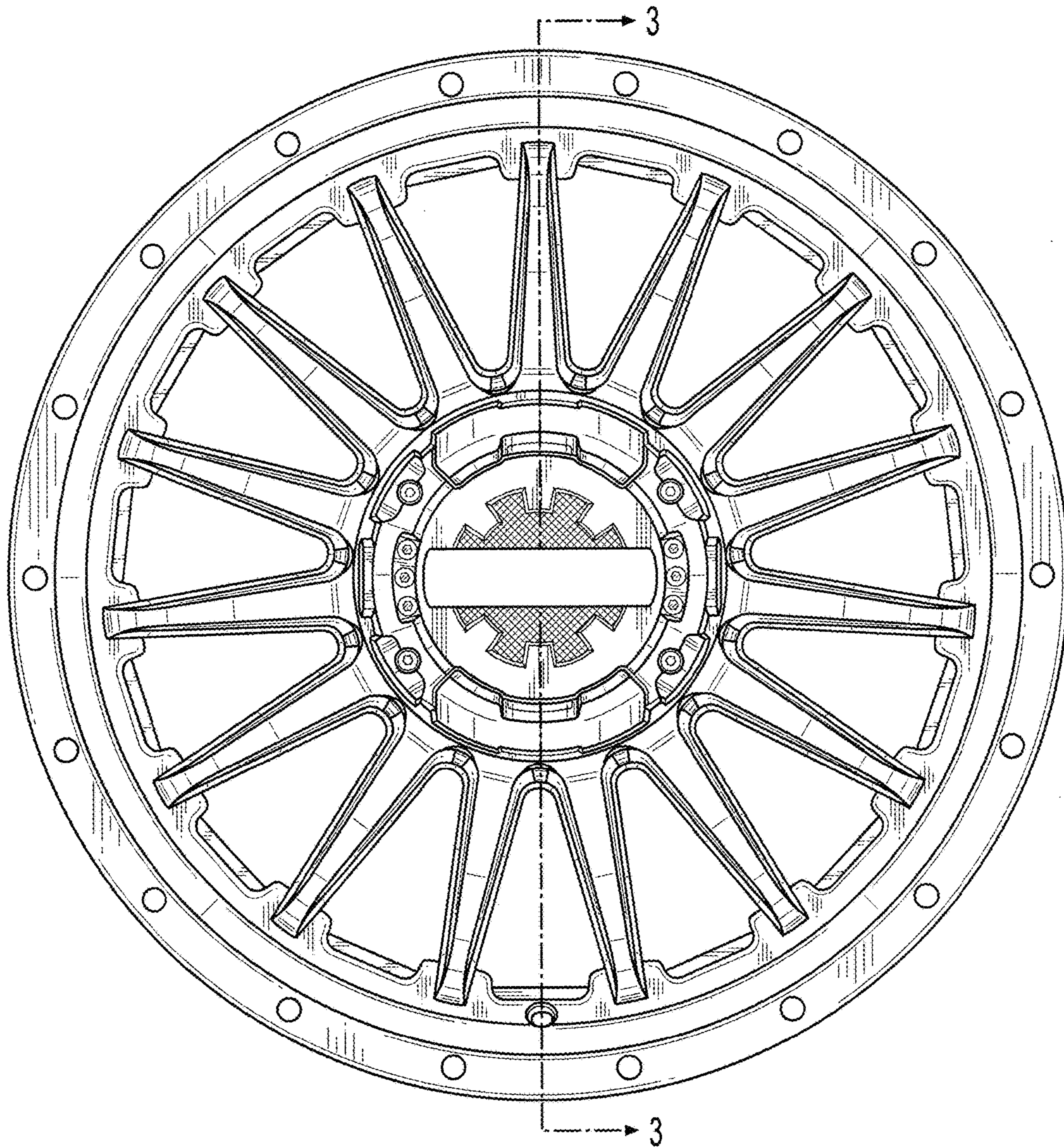


FIG. 2

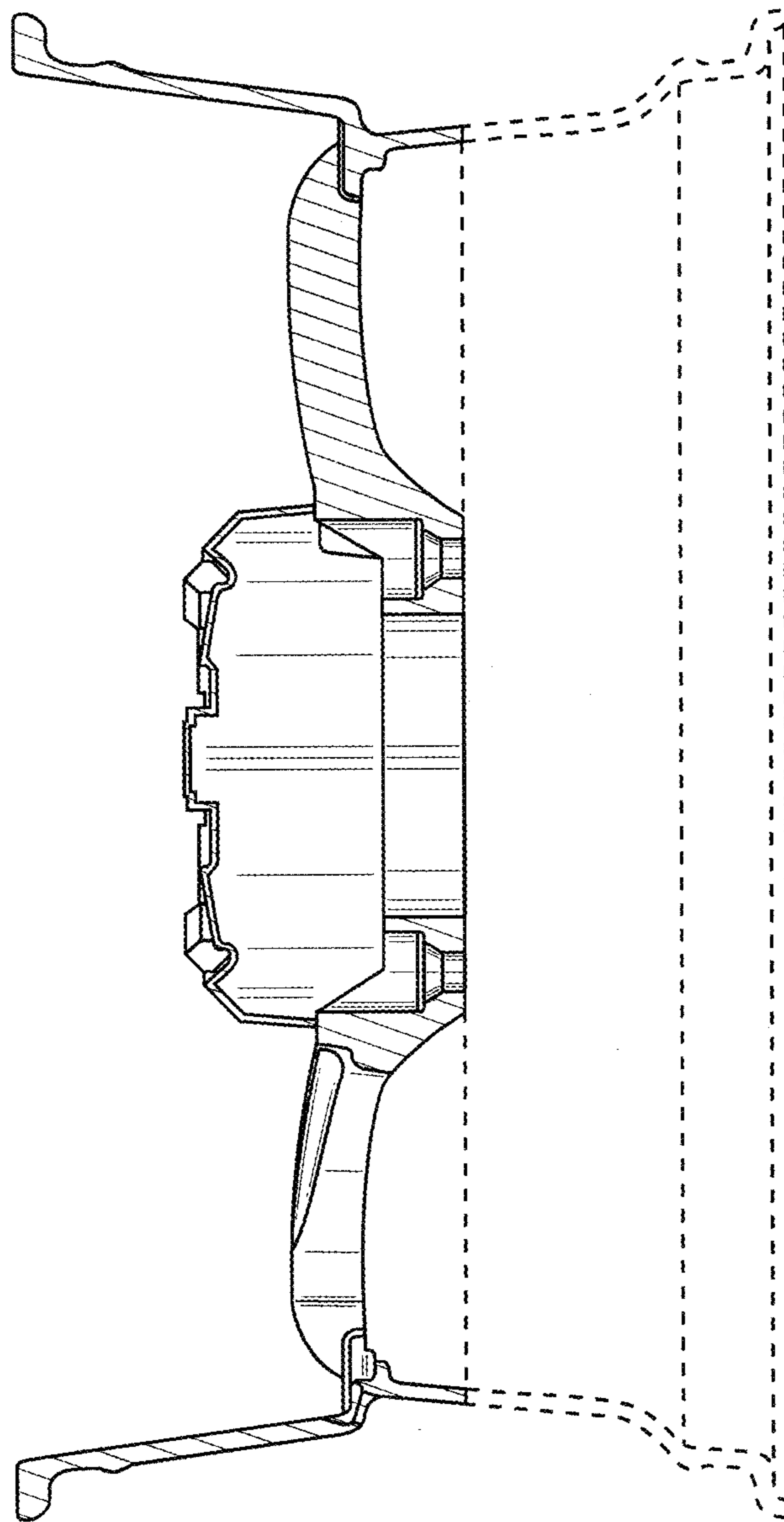


FIG. 3