



US00D782953S

(12) **United States Design Patent**
Imazato et al.

(10) **Patent No.:** **US D782,953 S**

(45) **Date of Patent:** **** Apr. 4, 2017**

(54) **WHEEL**

(71) Applicant: **Honda Access Corp.**, Niiza-shi,
Saitama (JP)

(72) Inventors: **Makoto Imazato**, Niiza (JP); **Daisuke Namba**, Niiza (JP)

(73) Assignee: **HONDA ACCESS CORP.**, Niiza-shi
(JP)

(**) Term: **15 Years**

(21) Appl. No.: **29/562,319**

(22) Filed: **Apr. 25, 2016**

(51) **LOC (10) Cl.** **12-16**

(52) **U.S. Cl.**
USPC **D12/209**

(58) **Field of Classification Search**
USPC D12/204–213
CPC B60B 7/00; B60B 7/02; B60B 7/04; B60B 7/01;
B60B 7/06; B60B 3/02; B60B 3/04; B60B 3/06;
B60B 3/10; B60B 1/00; B60B 1/08; B60B 1/10; B60B 1/12
See application file for complete search history.

(56) **References Cited**

U.S. PATENT DOCUMENTS

D399,811 S	10/1998	Echazabal	
D529,430 S	10/2006	Hsu	
D594,800 S	6/2009	Blasi	
D669,833 S	10/2012	Pollmann	
D671,475 S	* 11/2012	Juergens	D12/209
D674,330 S	* 1/2013	Kito	D12/209
D682,178 S	5/2013	Nakano	
D683,681 S	6/2013	Juergens et al.	

D685,709 S	* 7/2013	Hanaoka	D12/209
D685,710 S	7/2013	Hanaoka	
D695,187 S	* 12/2013	Mielke	D12/209
D695,669 S	12/2013	Pollmann	
D709,427 S	* 7/2014	Clottu	D12/209
D710,286 S	8/2014	Yamaguchi	
D715,209 S	* 10/2014	Tovey	D12/209
D726,086 S	* 4/2015	Muntada Roura	D12/209
D744,400 S	12/2015	Watanuki	
D748,031 S	1/2016	Miyazawa	
D749,028 S	2/2016	Henstridge	
D751,965 S	* 3/2016	Tanaka	D12/209
D754,047 S	* 4/2016	Frascella	D12/209
D757,625 S	* 5/2016	Hu	D12/209
D759,566 S	* 6/2016	Valencia Pollex	D12/211
D762,543 S	* 8/2016	Hara	D12/209

* cited by examiner

Primary Examiner — Stacia Cadmus

(74) *Attorney, Agent, or Firm* — Westerman, Hattori,
Daniels & Adrian, LLP

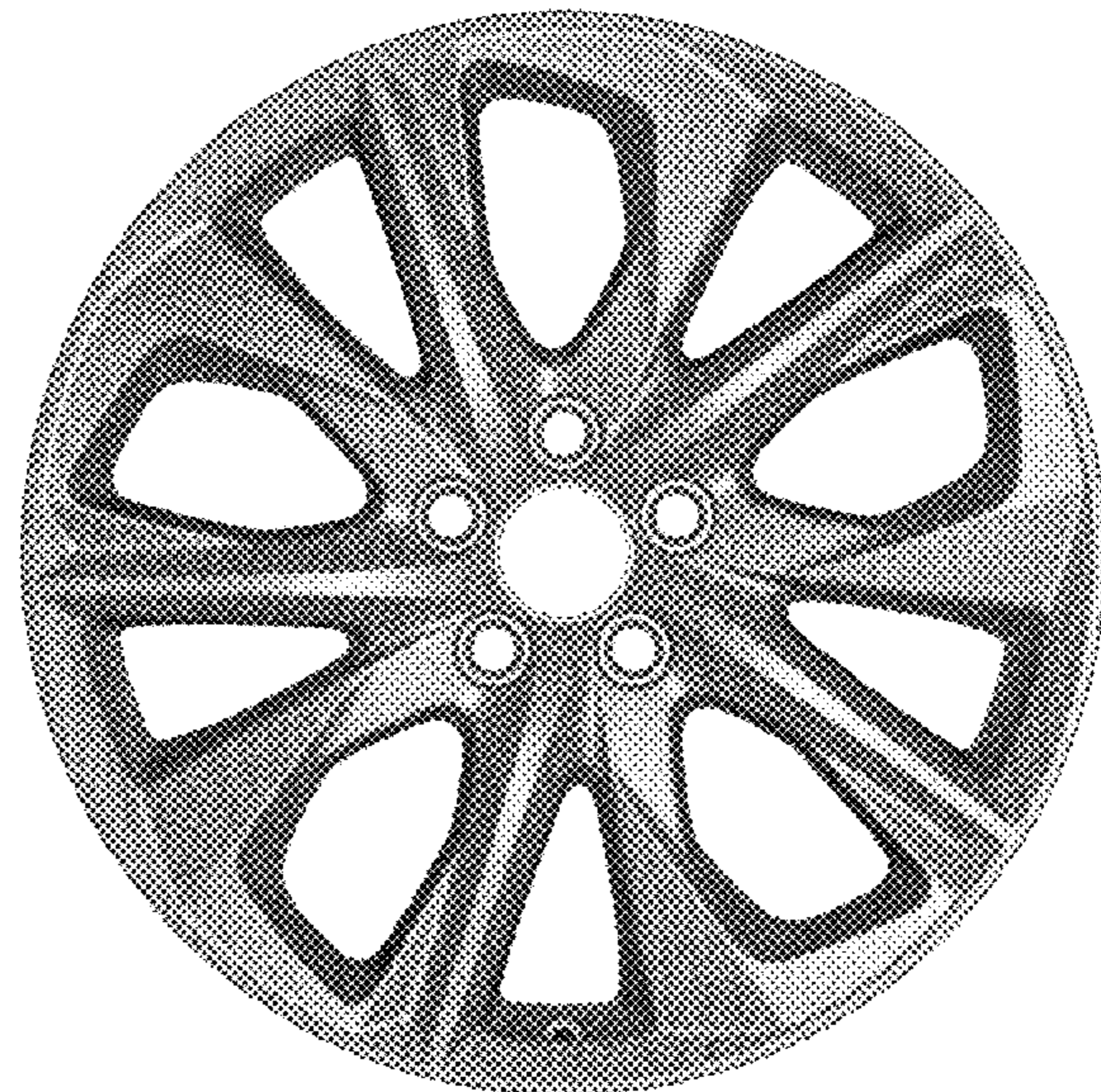
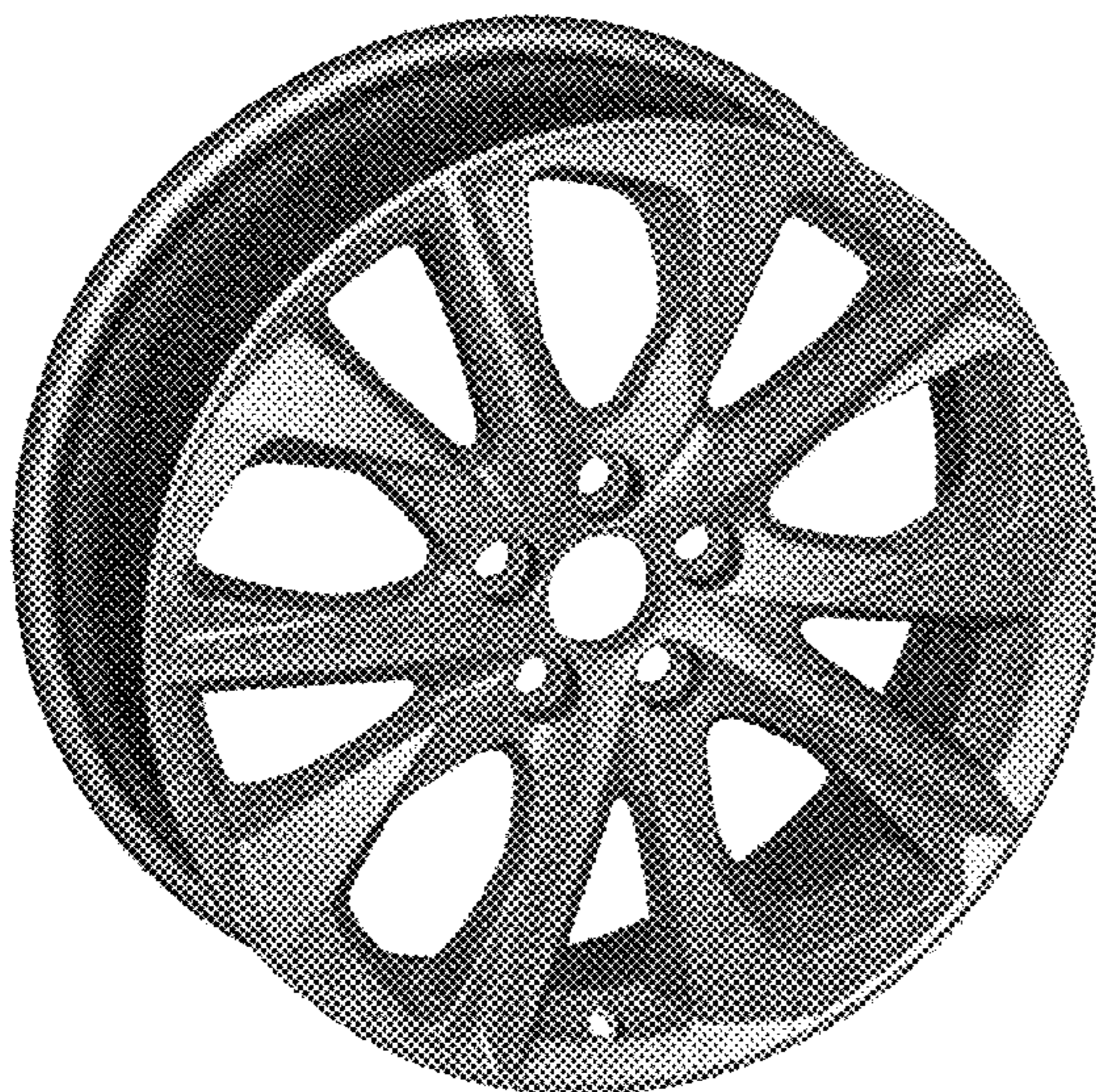
(57) **CLAIM**

The ornamental design for a wheel, as shown and described.

DESCRIPTION

FIG. 1 is a front perspective view of a wheel as seen from a right side thereof;
FIG. 2 is another front perspective view thereof as seen from a left side thereof;
FIG. 3 is a rear perspective view thereof;
FIG. 4 is a front view thereof;
FIG. 5 is a rear view thereof;
FIG. 6 is a top plan view thereof;
FIG. 7 is a bottom plan view thereof;
FIG. 8 is a left side view thereof; and,
FIG. 9 is a right side view thereof.

1 Claim, 5 Drawing Sheets



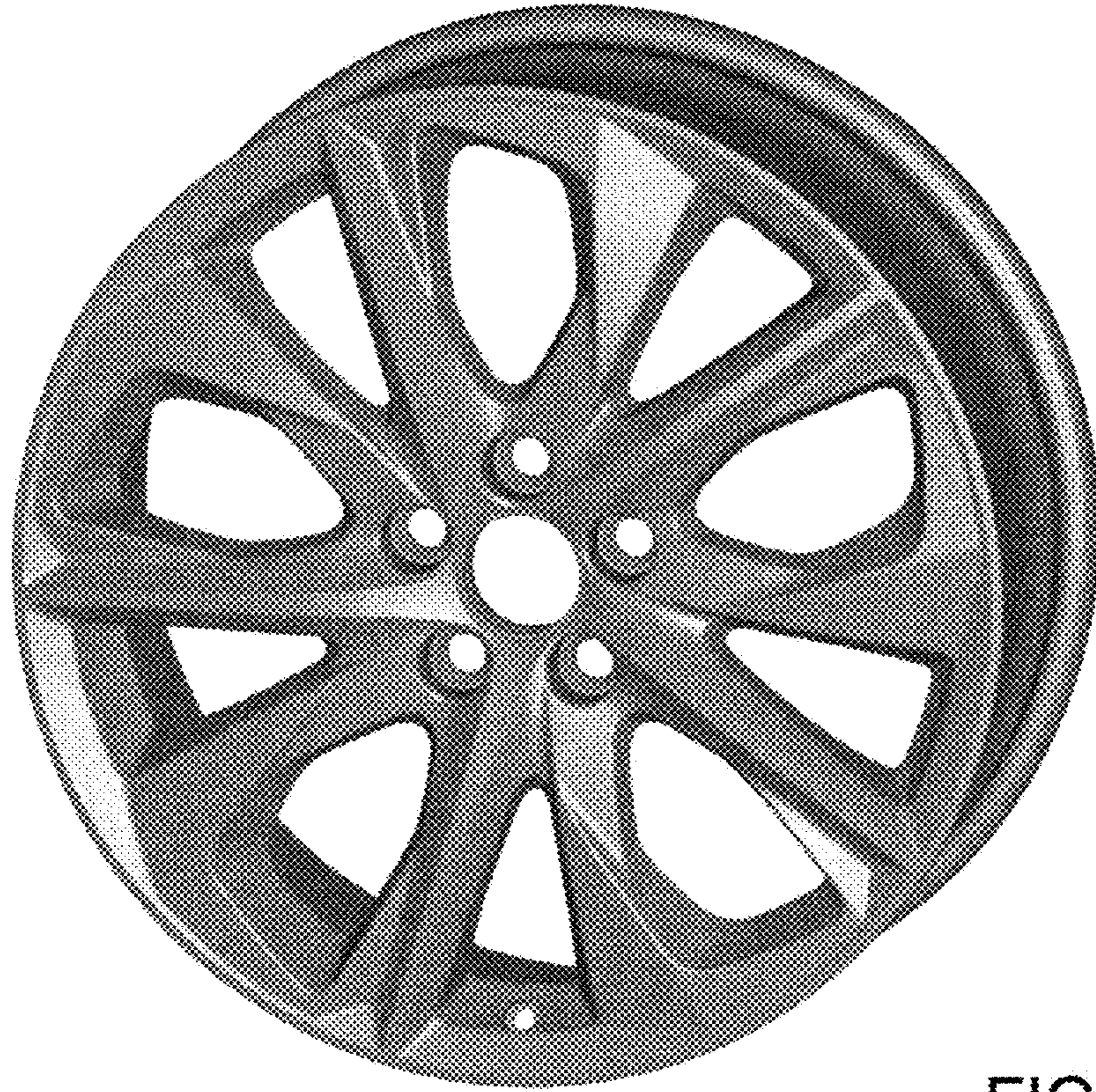


FIG.1

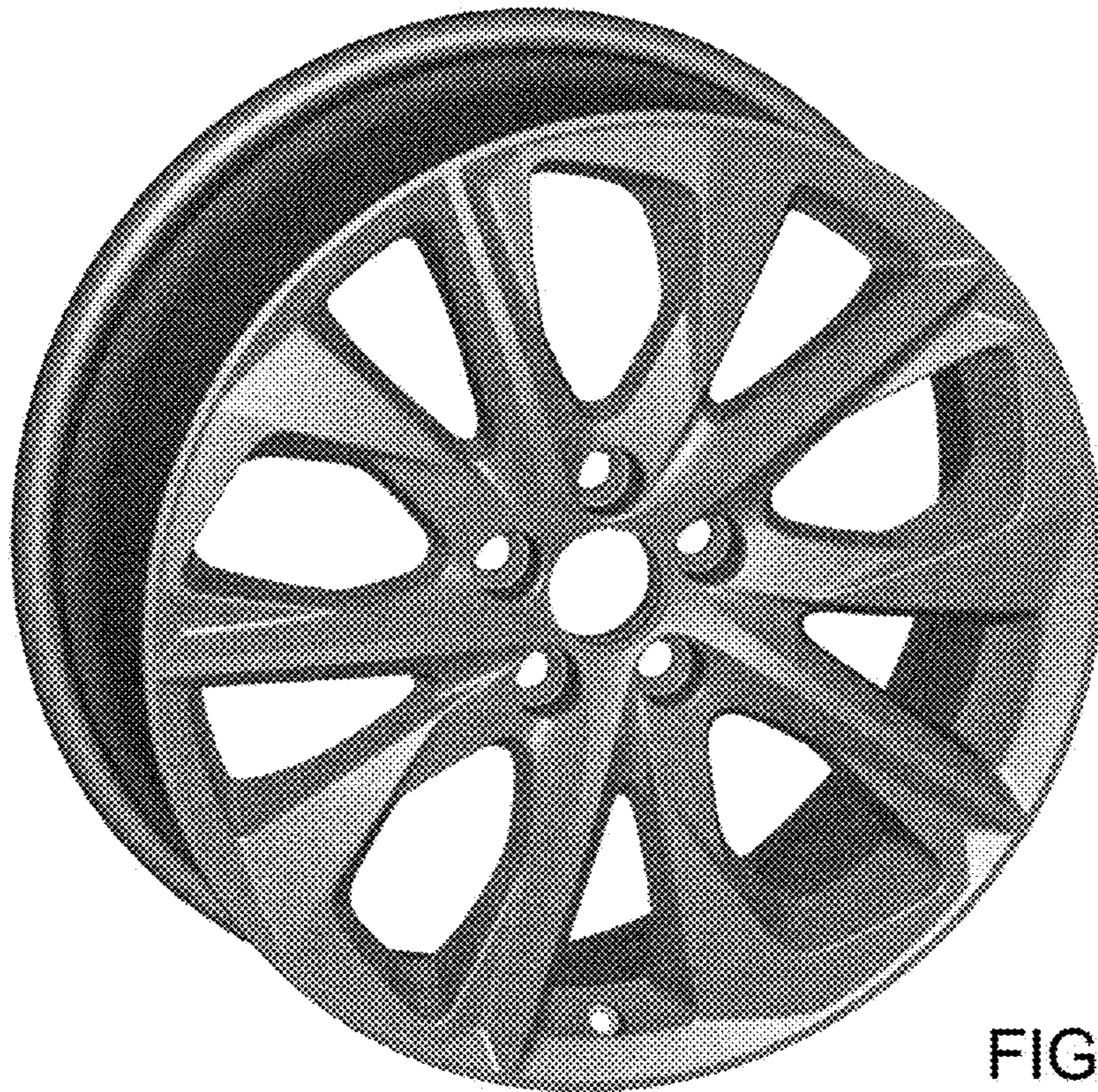


FIG.2

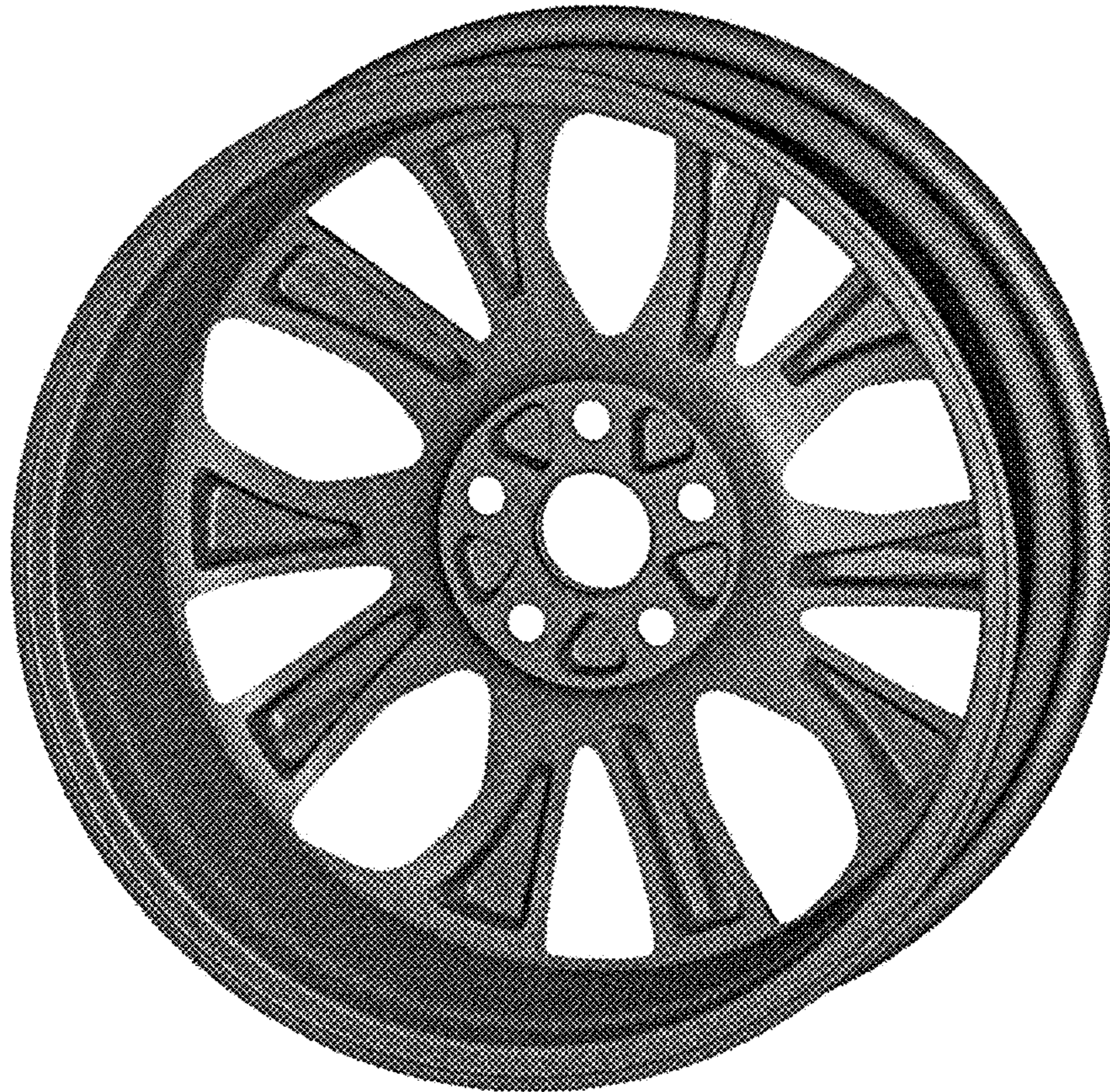


FIG.3

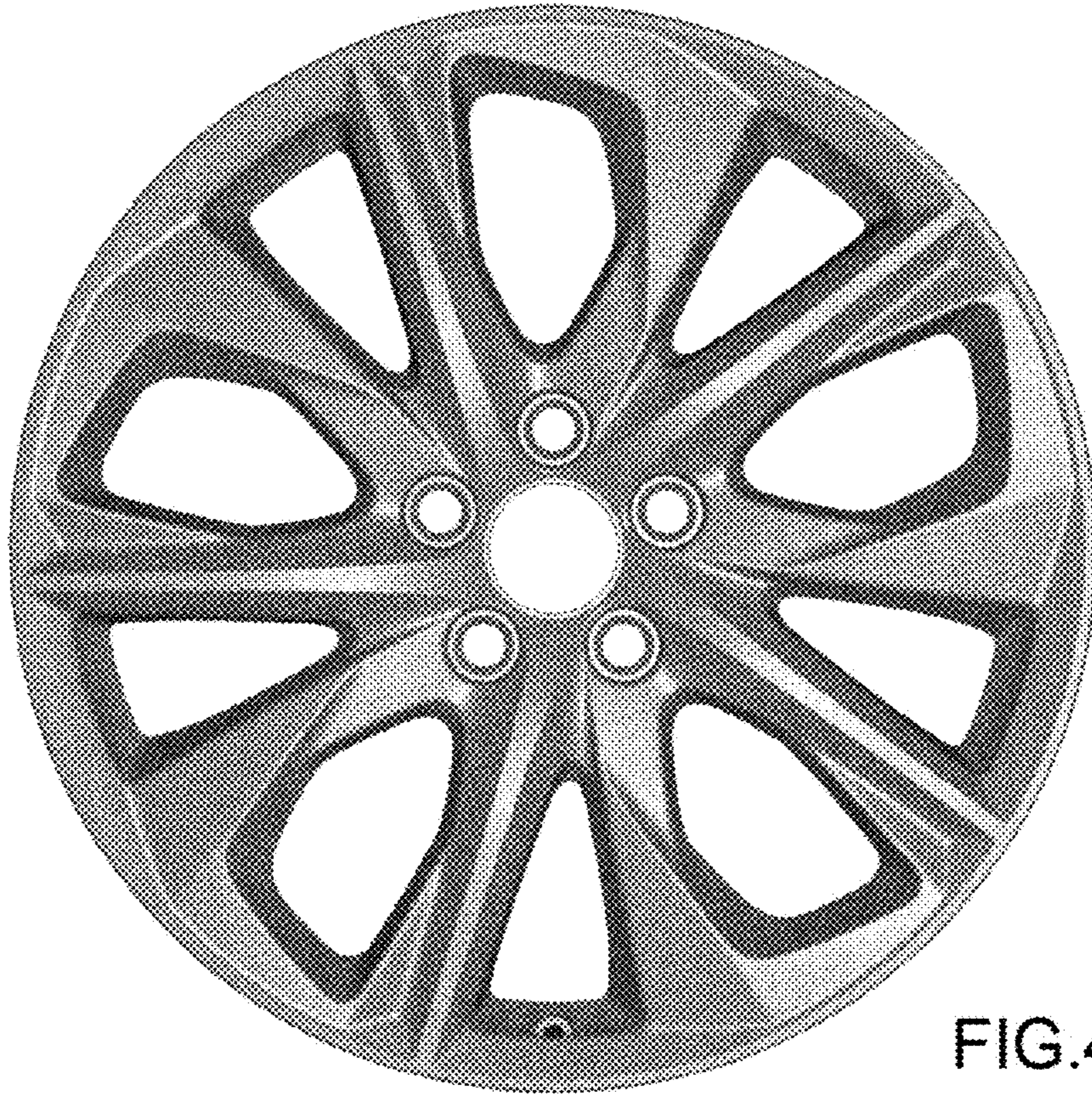


FIG.4

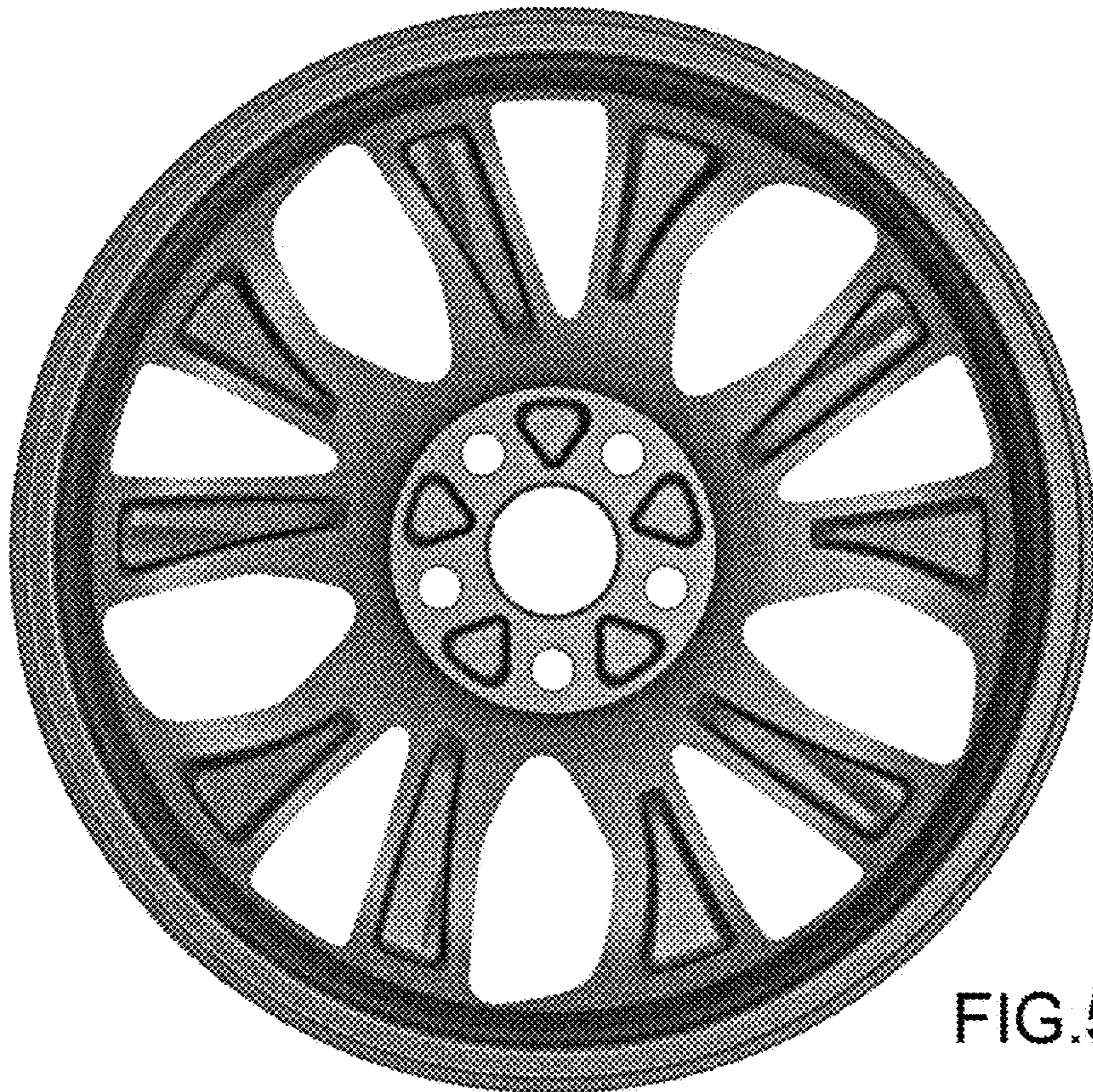


FIG.5

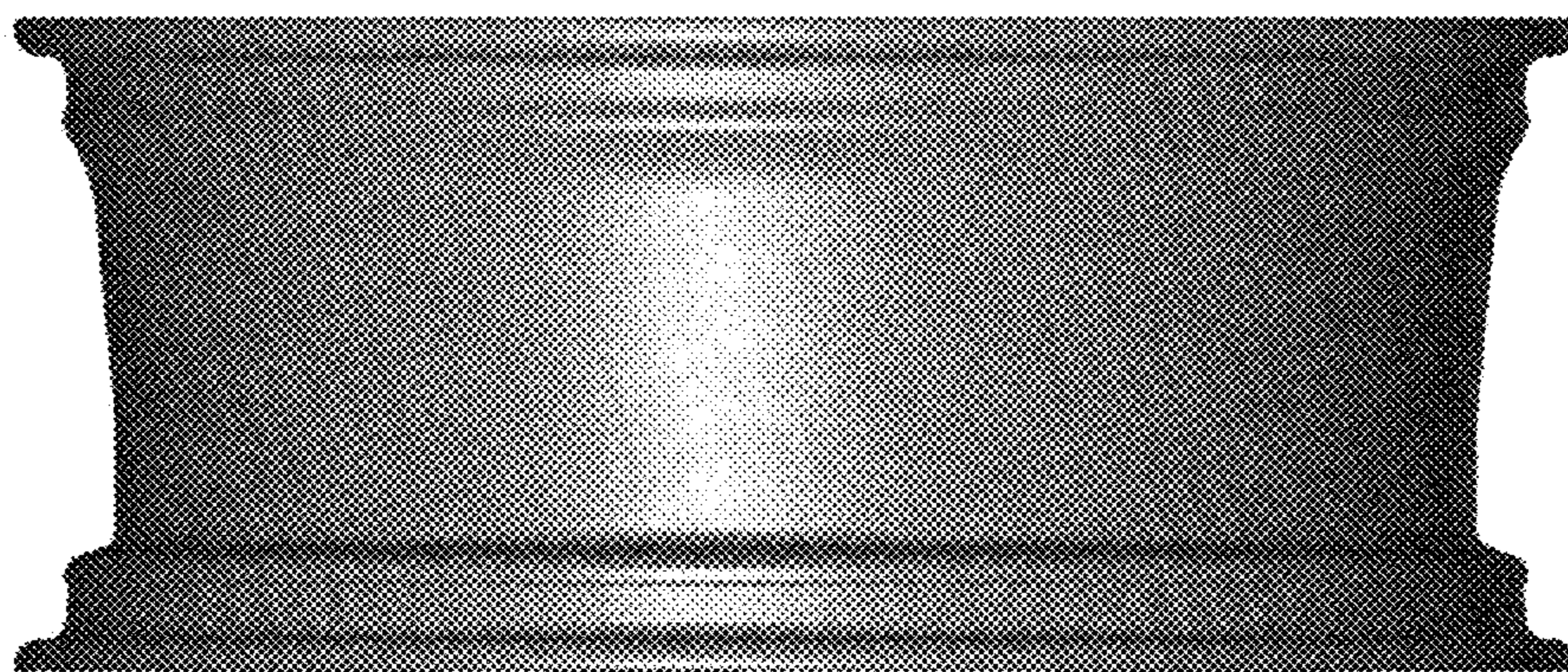


FIG. 6

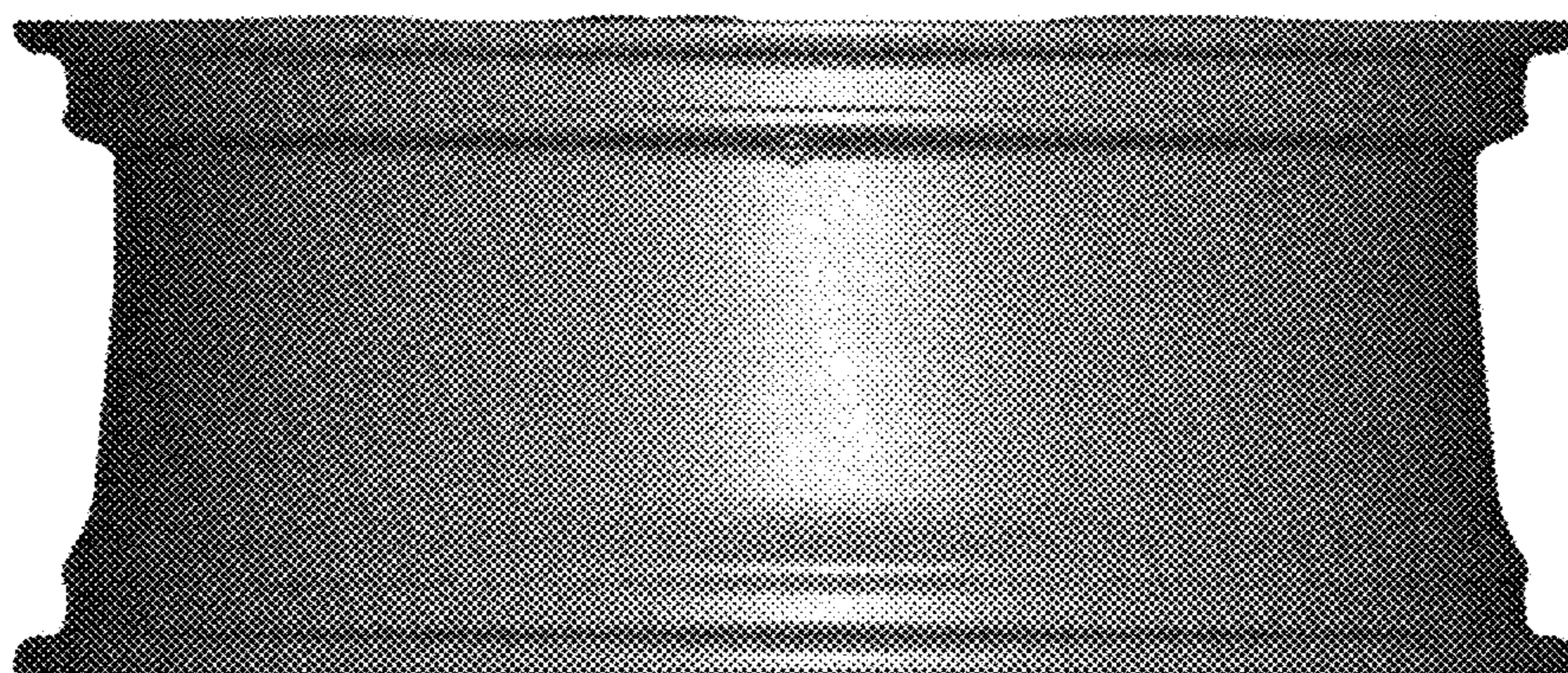


FIG. 7

FIG.8

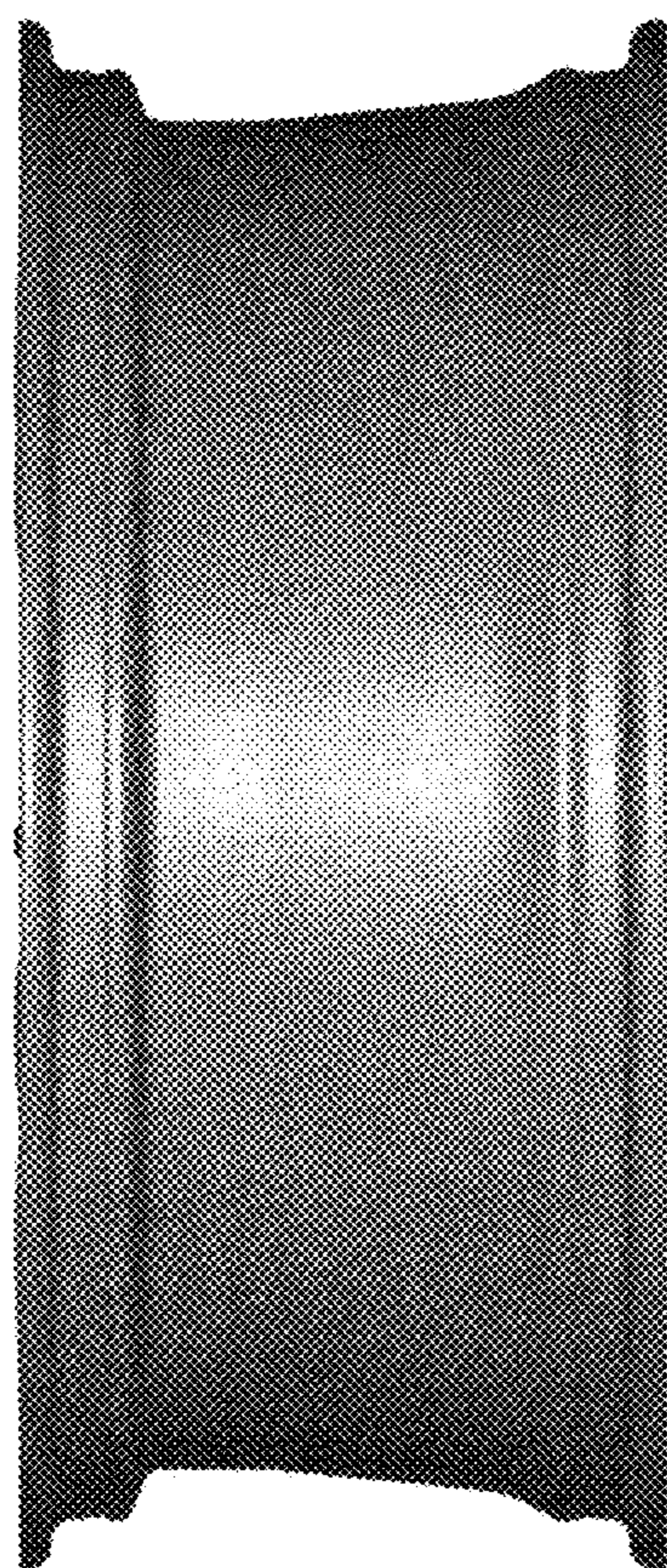
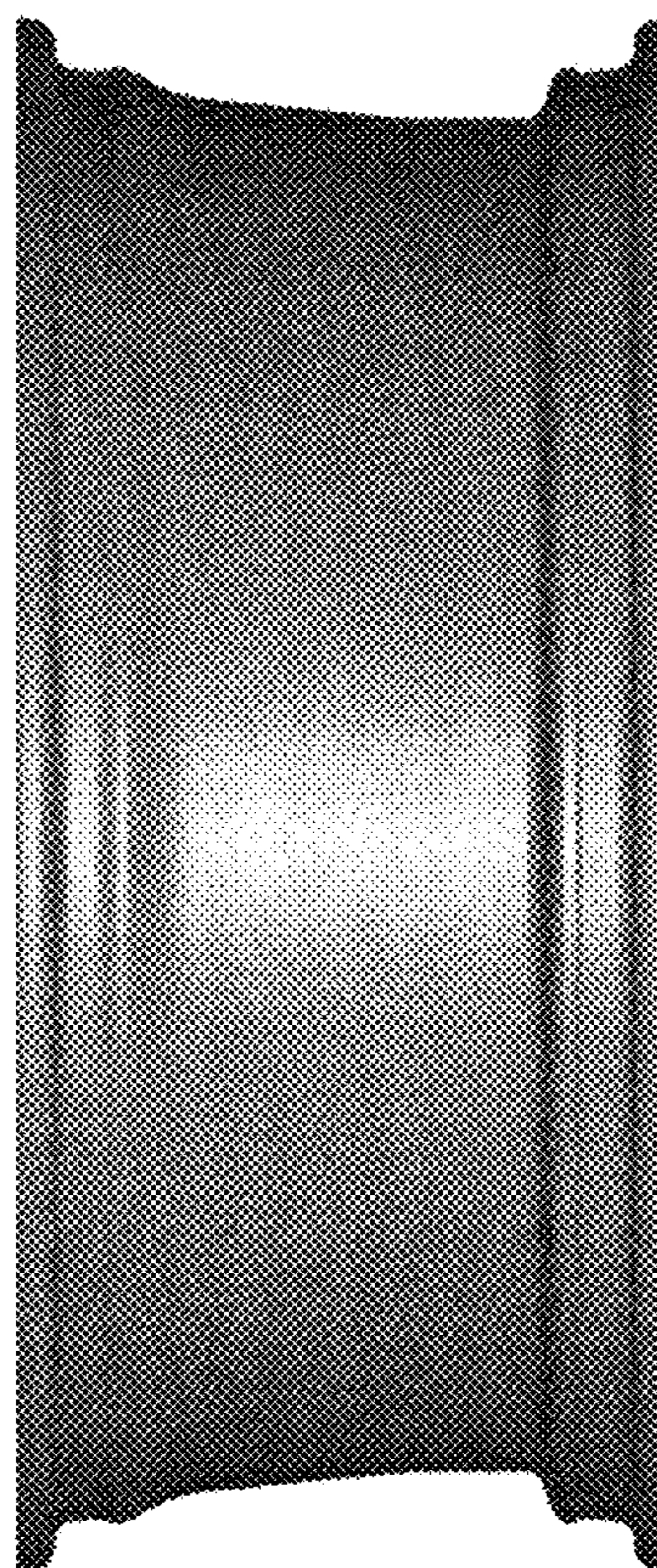


FIG.9