



US00D782952S

(12) **United States Design Patent**  
**Ninov et al.**

(10) **Patent No.:** **US D782,952 S**

(45) **Date of Patent:** **\*\* Apr. 4, 2017**

(54) **AUTOMOBILE WHEEL**

(71) Applicants: **Deyan Ninov**, Royal Oak, MI (US);  
**Vincent J Galante**, Lake Orion, MI  
(US); **Mark T Allen**, Oxford, MI (US)

(72) Inventors: **Deyan Ninov**, Royal Oak, MI (US);  
**Vincent J Galante**, Lake Orion, MI  
(US); **Mark T Allen**, Oxford, MI (US)

(73) Assignee: **FCA US LLC**, Auburn Hills, MI (US)

(\*\*) Term: **15 Years**

(21) Appl. No.: **29/555,838**

(22) Filed: **Feb. 25, 2016**

(51) **LOC (10) Cl.** ..... **12-16**

(52) **U.S. Cl.**  
USPC ..... **D12/209**

(58) **Field of Classification Search**

USPC ..... D12/204–213  
CPC .... B60B 7/00; B60B 7/02; B60B 7/04; B60B  
7/01; B60B 7/06; B60B 3/02; B60B 3/04;  
B60B 3/06; B60B 3/10; B60B 1/00;  
B60B 1/08; B60B 1/10; B60B 1/12  
See application file for complete search history.

(56) **References Cited**

**U.S. PATENT DOCUMENTS**

D391,543 S \* 3/1998 Renkert ..... D12/209  
D452,211 S \* 12/2001 Takechi ..... D12/209

D472,864 S \* 4/2003 Kataoka ..... D12/209  
D499,061 S \* 11/2004 Echazabal ..... D12/209  
D520,431 S \* 5/2006 Truebsbach ..... D12/209  
D530,252 S \* 10/2006 Gabath ..... D12/209  
D534,850 S \* 1/2007 Tsutamori ..... D12/209  
D677,610 S \* 3/2013 Holstein ..... D12/209  
D688,180 S \* 8/2013 Gotschke ..... D12/204  
D738,279 S \* 9/2015 Dionisopoulos ..... D12/209  
D760,140 S \* 6/2016 Chung ..... D12/209

\* cited by examiner

*Primary Examiner* — Stacia Cadmus

(74) *Attorney, Agent, or Firm* — Ralph E Smith

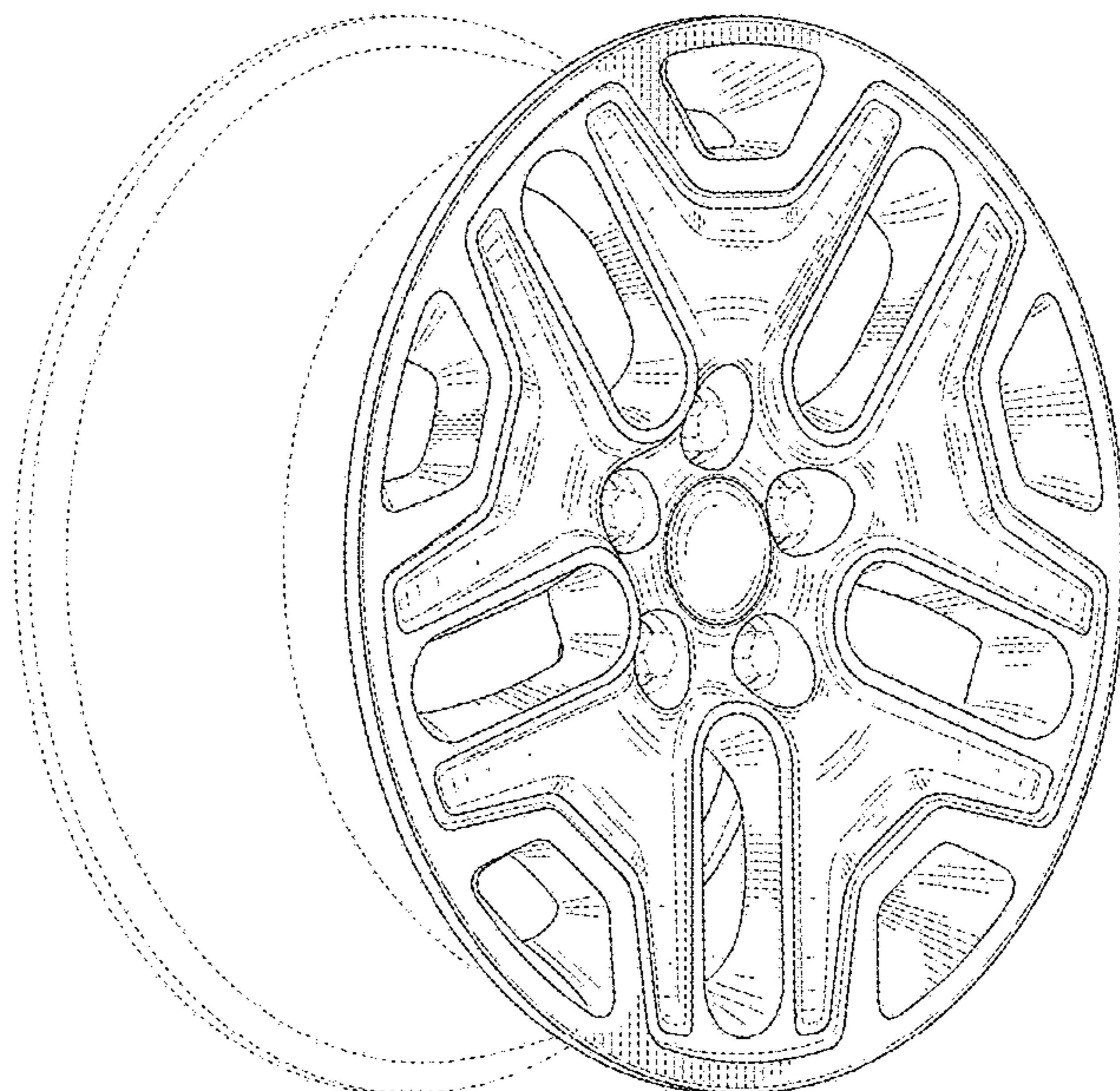
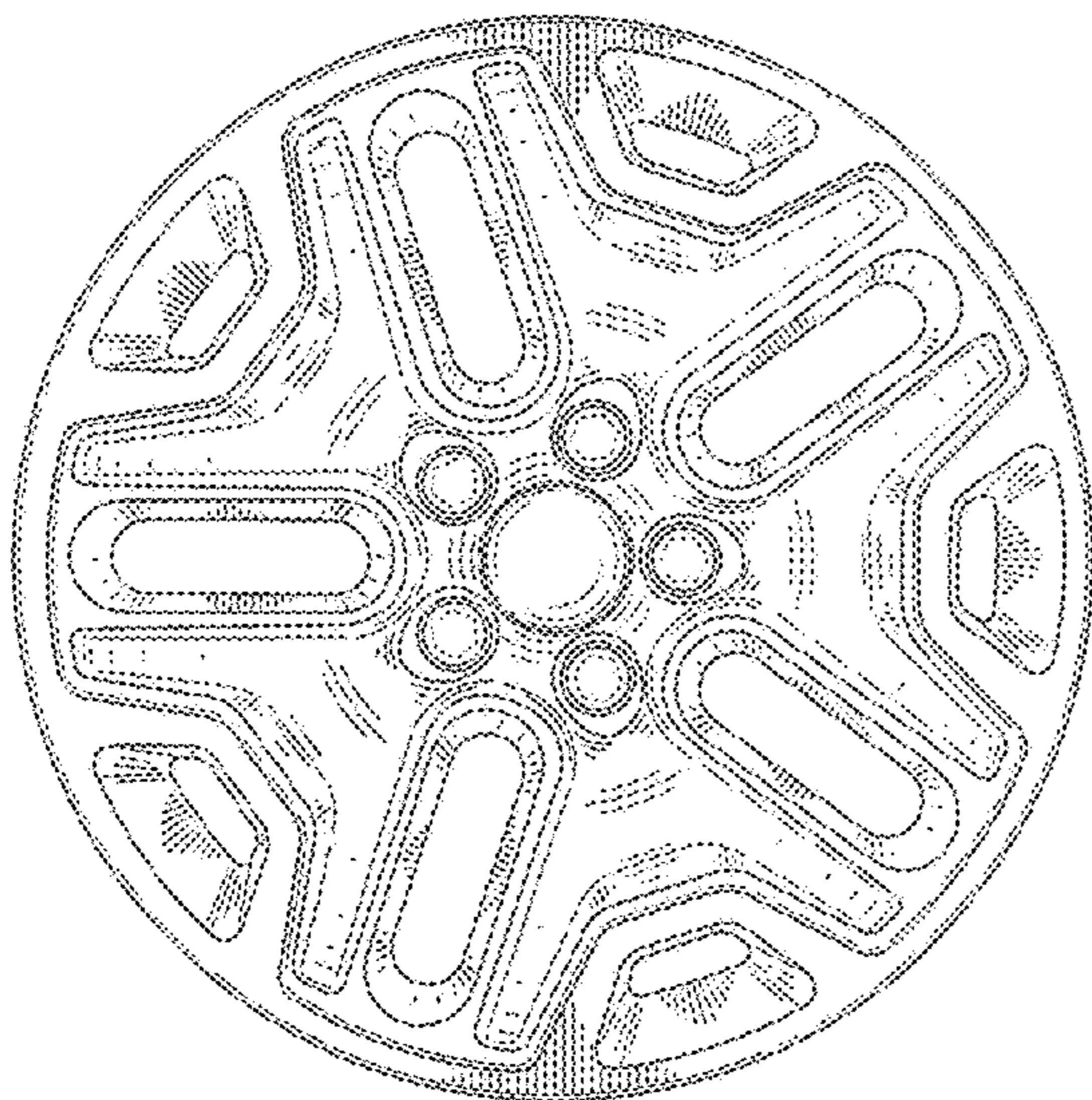
(57) **CLAIM**

The ornamental design for an automobile wheel, as shown and described.

**DESCRIPTION**

FIG. 1 is a front view of an automobile wheel showing our new design;  
FIG. 2 is a right side perspective view thereof; and,  
FIG. 3 is a left side perspective view.  
It will be understood that the broken lines shown in the drawings illustrate portions of the automobile wheel that form no part of claimed design.

**1 Claim, 3 Drawing Sheets**



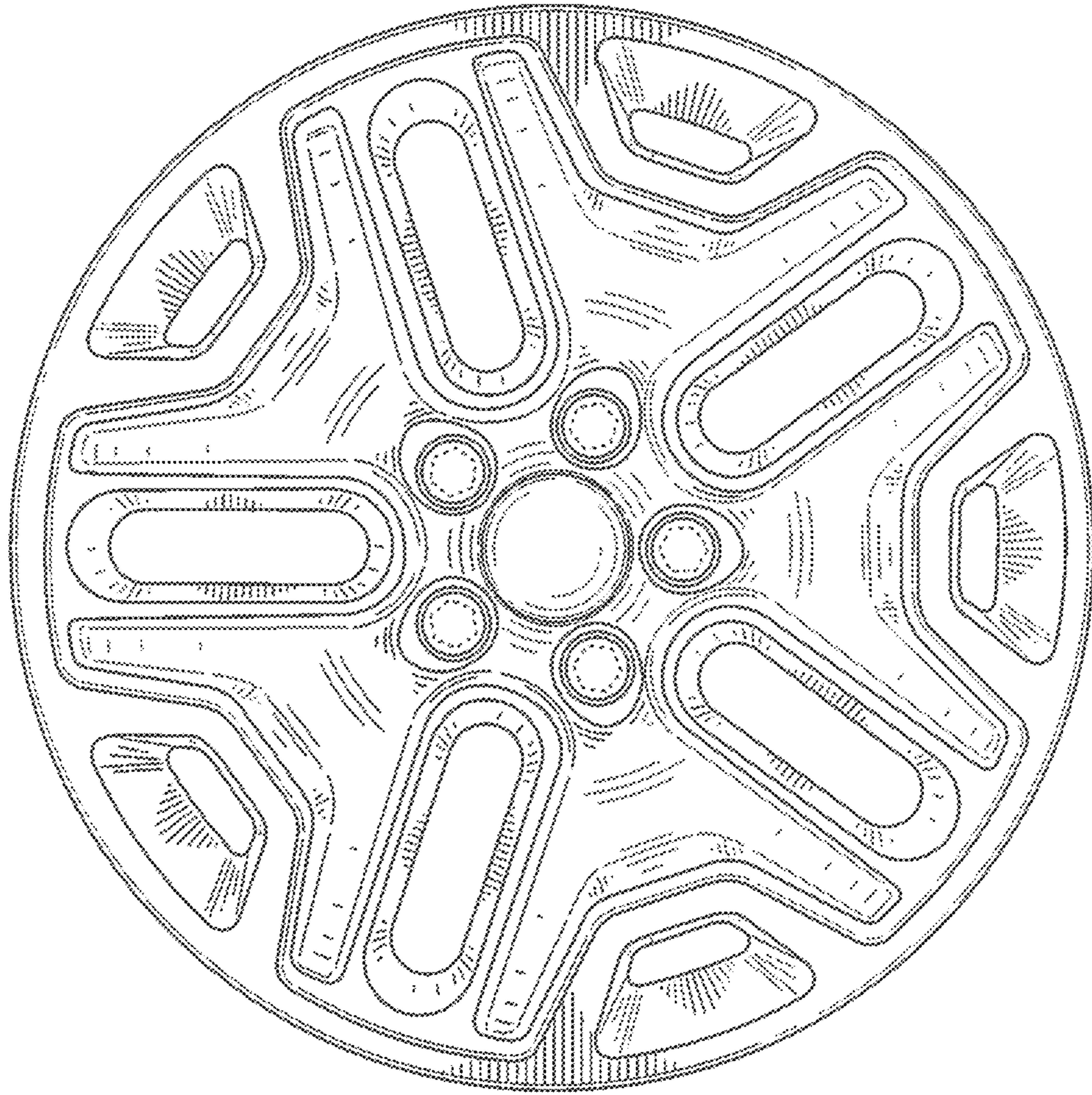


FIG. 1

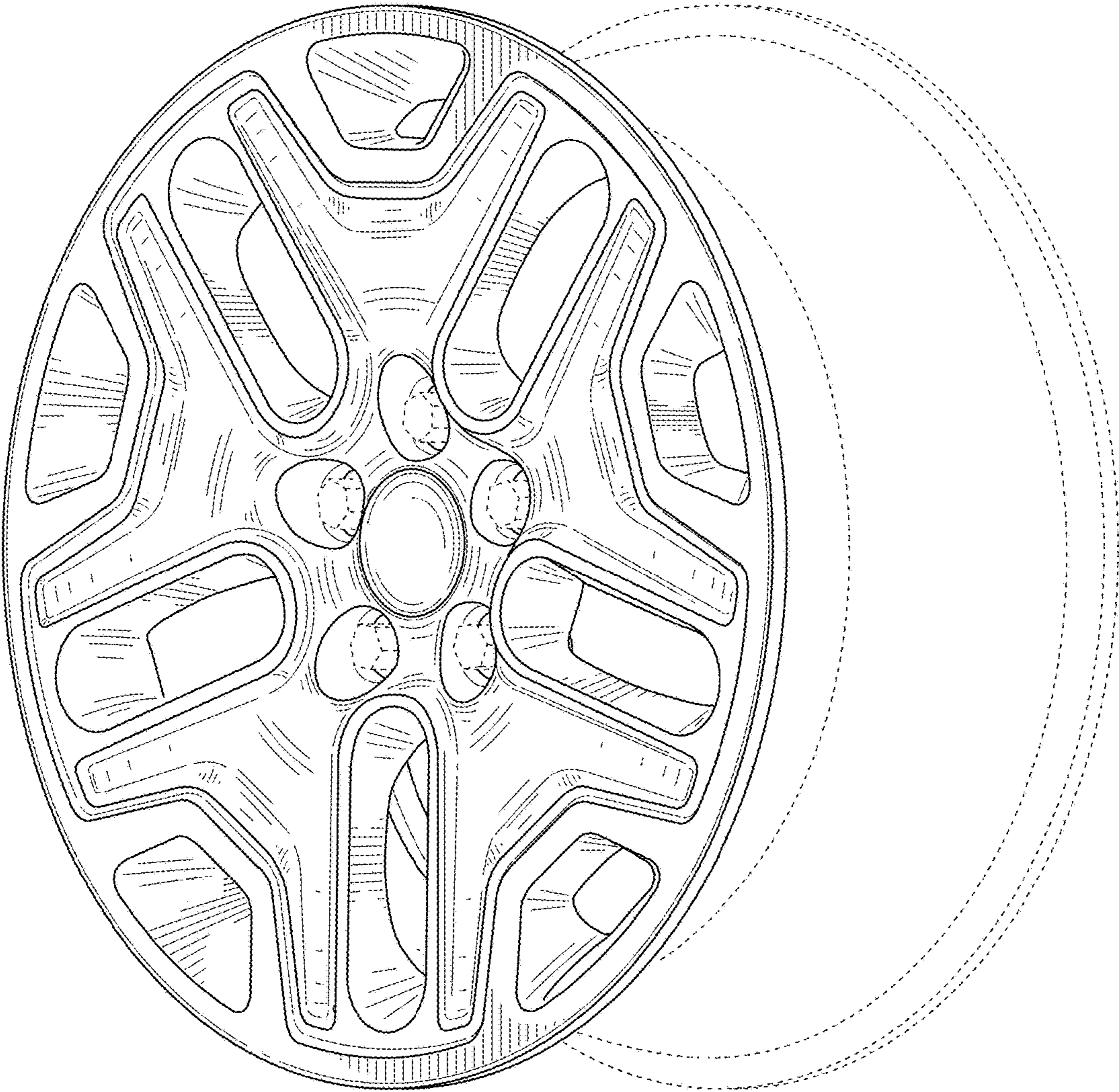


FIG. 2

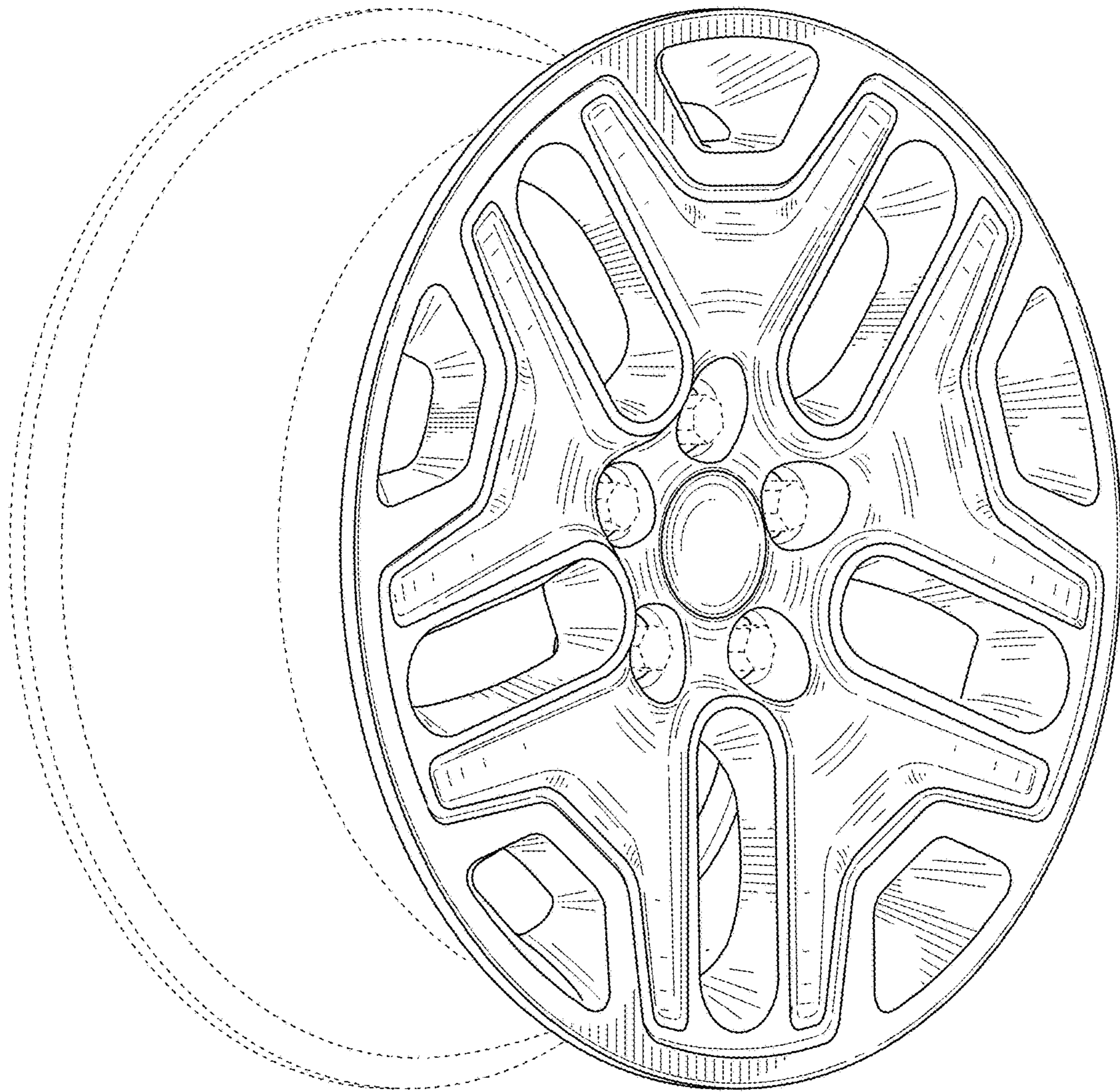


FIG. 3