



US00D782950S

(12) **United States Design Patent**
Hatton

(10) **Patent No.:** **US D782,950 S**

(45) **Date of Patent:** **** Apr. 4, 2017**

(54) **WHEEL**

(71) Applicant: **Jaguar Land Rover Limited**, Whitley,
Coventry (GB)

(72) Inventor: **Adam Hatton**, Coventry (GB)

(73) Assignee: **Jaguar Land Rover Limited**, Whitley,
Coventry (GB)

(**) Term: **14 Years**

(21) Appl. No.: **29/521,930**

(22) Filed: **Mar. 26, 2015**

(30) **Foreign Application Priority Data**

Sep. 29, 2014 (EM) 002547414

(51) **LOC (10) Cl.** **12-16**

(52) **U.S. Cl.**
USPC **D12/209**

(58) **Field of Classification Search**
USPC D12/204–213
CPC B60B 7/00; B60B 7/02; B60B 7/04; B60B
7/01; B60B 7/06; B60B 3/02; B60B 3/04;
B60B 3/06; B60B 3/10; B60B 1/00;
B60B 1/08; B60B 1/10; B60B 1/12
See application file for complete search history.

(56) **References Cited**

U.S. PATENT DOCUMENTS

D438,165 S *	2/2001	Echazabal	D12/211
D459,691 S *	7/2002	Takechi	D12/211
D473,505 S *	4/2003	Min	D12/209
D501,440 S *	2/2005	Pfeiffer	D12/211
D507,518 S *	7/2005	Scheu	D12/209
D522,429 S *	6/2006	Ishiwata	D12/209

D524,219 S *	7/2006	Scheu	D12/211
D577,323 S *	9/2008	Chung	D12/211
D579,848 S *	11/2008	Kim	D12/211
D582,828 S *	12/2008	Young	D12/211
D614,109 S *	4/2010	Tant	D12/211
D614,111 S *	4/2010	Tant	D12/211
D620,421 S *	7/2010	Lamm	D12/209
D668,195 S *	10/2012	Tant	D12/209
D675,973 S *	2/2013	Lee	D12/211
D706,695 S *	6/2014	Platto	D12/209
D706,699 S *	6/2014	Platto	D12/211
D706,700 S *	6/2014	Platto	D12/211
D708,111 S *	7/2014	Platto	D12/211
D715,208 S *	10/2014	Grake	D12/204
D736,130 S *	8/2015	Wheel	D12/209
D736,134 S *	8/2015	Platto	D12/211
D744,397 S *	12/2015	Pollmann	D12/209
D748,029 S *	1/2016	Kermelk	D12/209
D756,283 S *	5/2016	Chan	D12/209

* cited by examiner

Primary Examiner — Stacia Cadmus

(74) *Attorney, Agent, or Firm* — Wood Herron & Evans
LLP

(57) **CLAIM**

The ornamental design for a wheel, as shown and described.

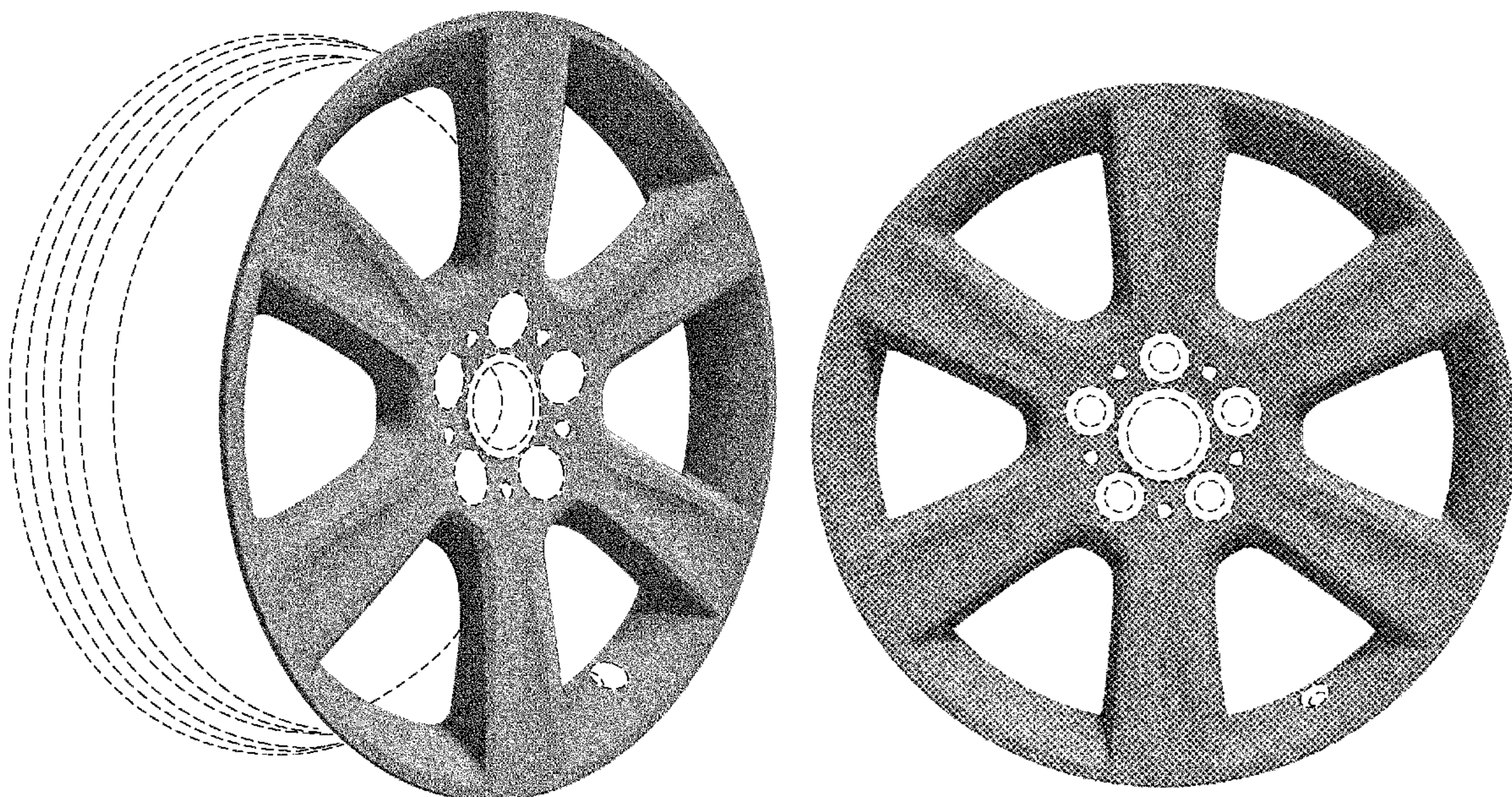
DESCRIPTION

FIG. 1 is a left front perspective view of a wheel according to the invention.

FIG. 2 is a front view of the wheel shown in FIG. 1; and, FIG. 3 is a right side view of the wheel shown in FIG. 1, the left side view being a mirror image thereof.

The broken line showing of the rim of the wheel, the valve stem hole, the bolt holes and the center hole is included for the purpose of illustrating environment and forms no part of the claimed invention.

1 Claim, 2 Drawing Sheets



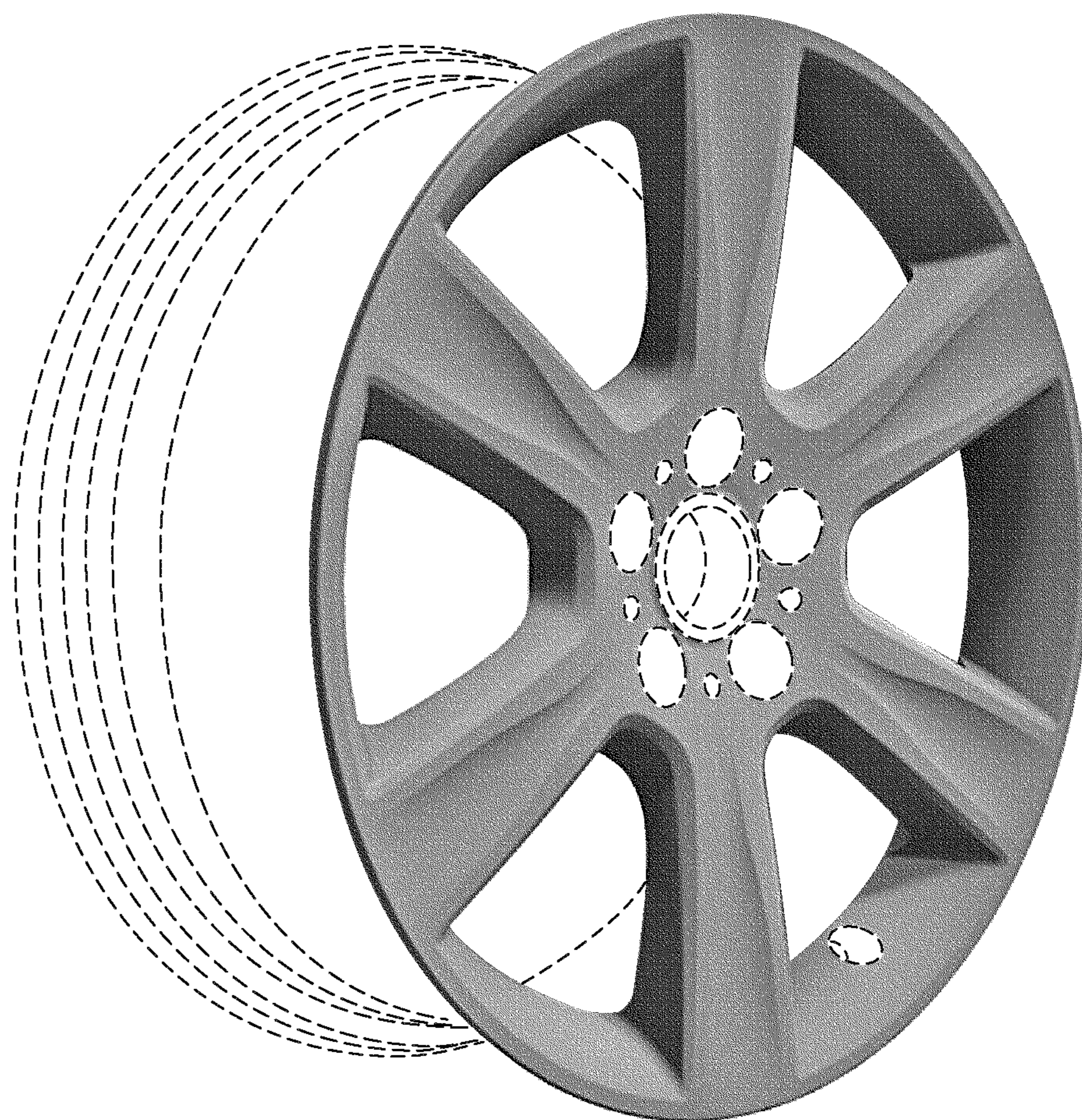


FIG. 1

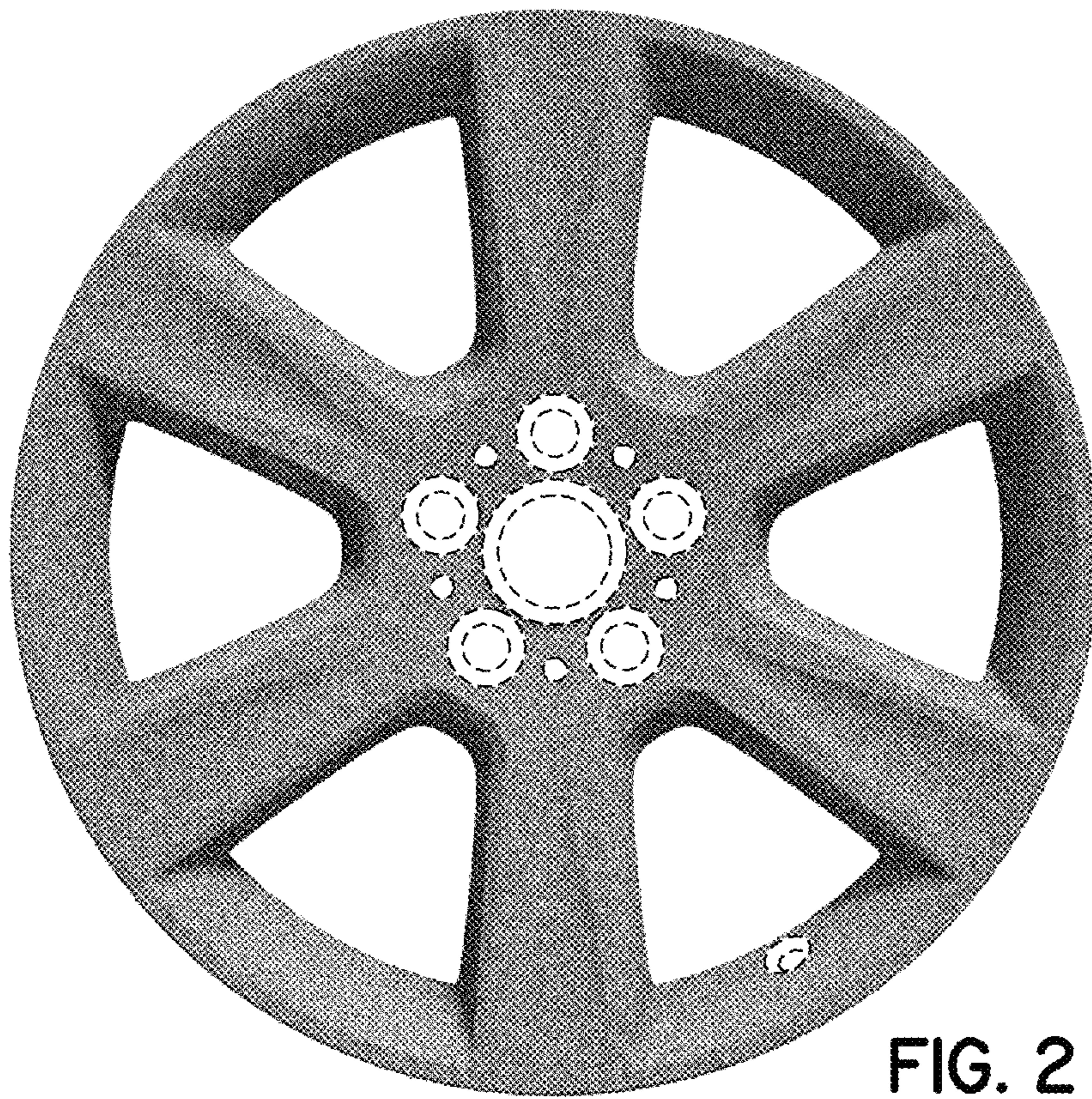


FIG. 2

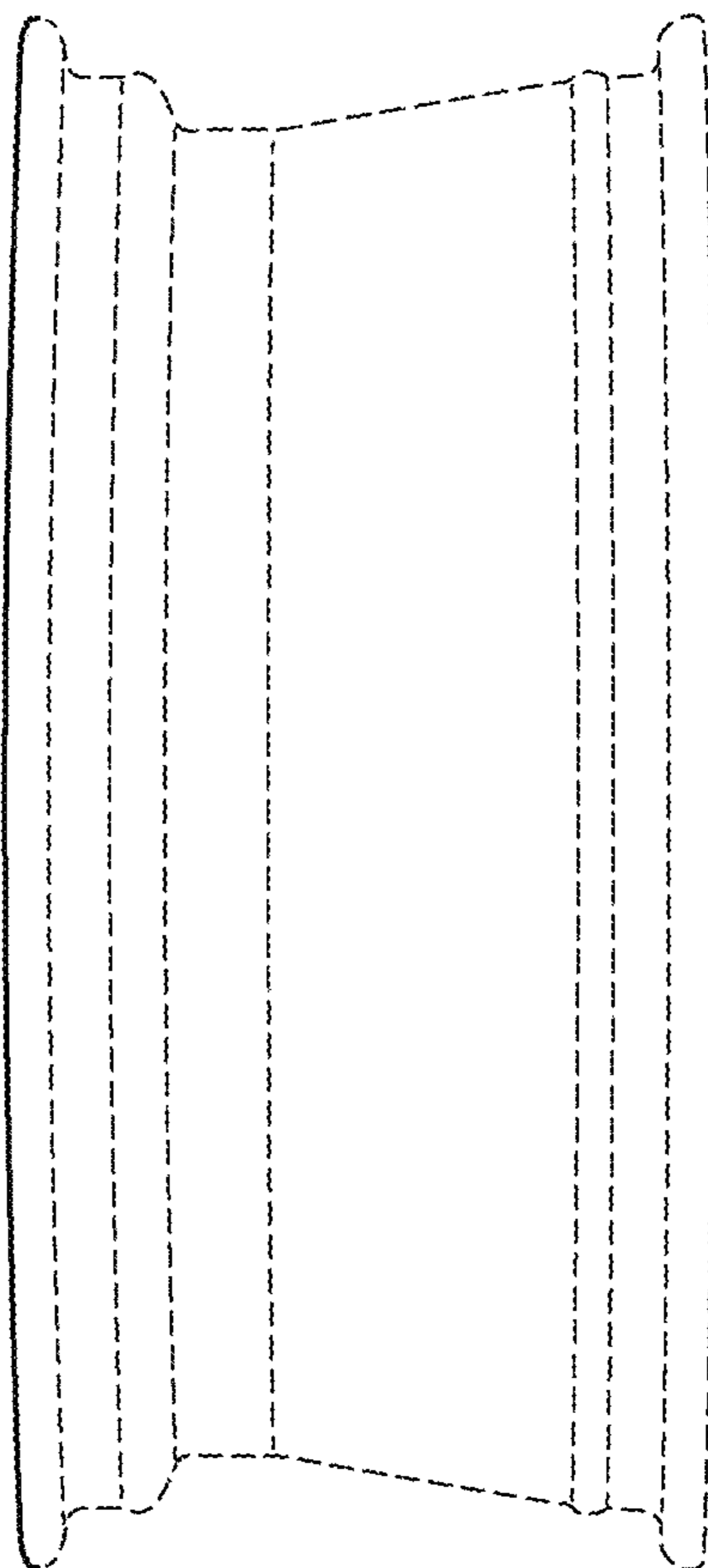


FIG. 3