



US00D782945S

(12) **United States Design Patent**
Stuckey

(10) **Patent No.:** **US D782,945 S**

(45) **Date of Patent:** **** Apr. 4, 2017**

(54) **FRONT COVER PLATE**

(71) Applicant: **George D. Stuckey**, Hemingway, SC (US)

(72) Inventor: **George D. Stuckey**, Hemingway, SC (US)

(**) Term: **15 Years**

(21) Appl. No.: **29/532,790**

(22) Filed: **Jul. 10, 2015**

(51) **LOC (10) Cl.** **12-16**

(52) **U.S. Cl.**
USPC **D12/180**

(58) **Field of Classification Search**
USPC D12/14, 106, 114, 118, 122, 161, 162, D12/179, 180, 207, 217, 400
CPC ... B60T 1/06; B60T 7/00; B60T 8/265; B60T 11/00; B60T 11/103; B60T 13/00; B60T 13/66; B60T 17/223; B60T 83/255; B60T 2201/00; B60T 2201/03; B60T 2260/00; B60T 2270/00; B60T 2270/82; B60T 2270/83; B60T 2270/84; B62K 23/06; B62L 1/02; B62L 3/02; B62D 13/025; B62D 21/18; B62D 53/045; B62D 63/04; B62D 65/02; B62D 65/18; F16D 55/00; F16D 55/226; F16D 65/00; F16D 65/092; F16D 65/095; F16D 65/097; F16D 65/18; F16D 65/38; F16D 65/847; B32B 3/06
See application file for complete search history.

(56) **References Cited**

U.S. PATENT DOCUMENTS

1,547,055 A * 7/1925 McCarty B60T 1/06 188/2 R
1,647,294 A * 11/1927 Hunyady B60T 1/06 188/262

3,507,373 A * 4/1970 Kraft F16D 25/0635 192/70.13
3,536,230 A * 10/1970 Williams F16H 1/20 188/170
4,030,575 A * 6/1977 Moring B60T 1/062 188/151 A

(Continued)

OTHER PUBLICATIONS

Pulsar pickup Plate Housing Cover 1986 Honda CT110 Trail 110 CT 86, image post date 1986, site visited Dec. 27, 2016, (online), <<https://www.google.com/search?hl=en&site=img&hp&t&tm=isch&source=hp&biw=1389&bih=779&q=disc+brake&oq=disc>>.*

(Continued)

Primary Examiner — Kevin Rudzinski
Assistant Examiner — Sean D Lough
(74) *Attorney, Agent, or Firm* — McNair Law Firm, P.A.; Douglas L. Lineberry

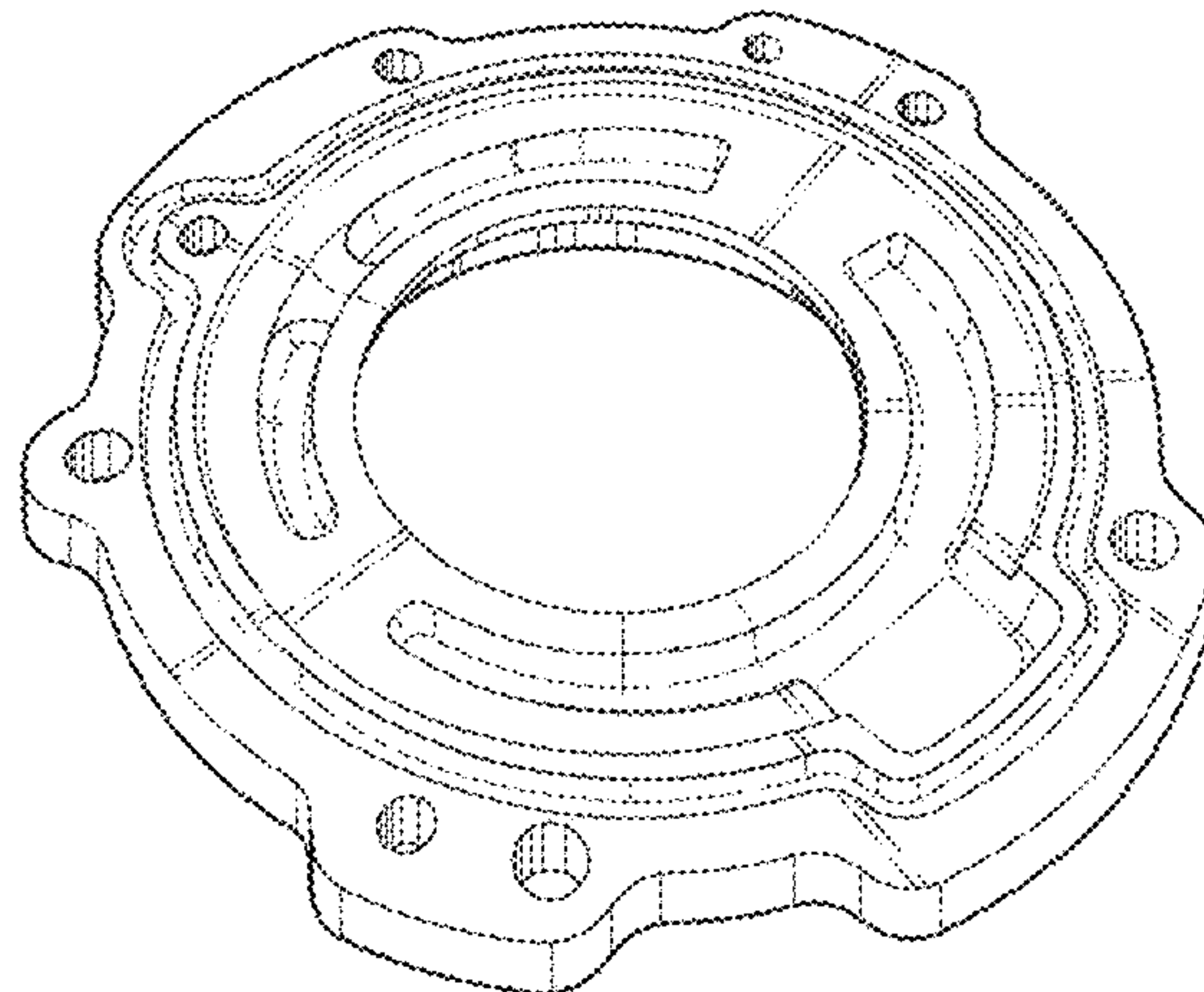
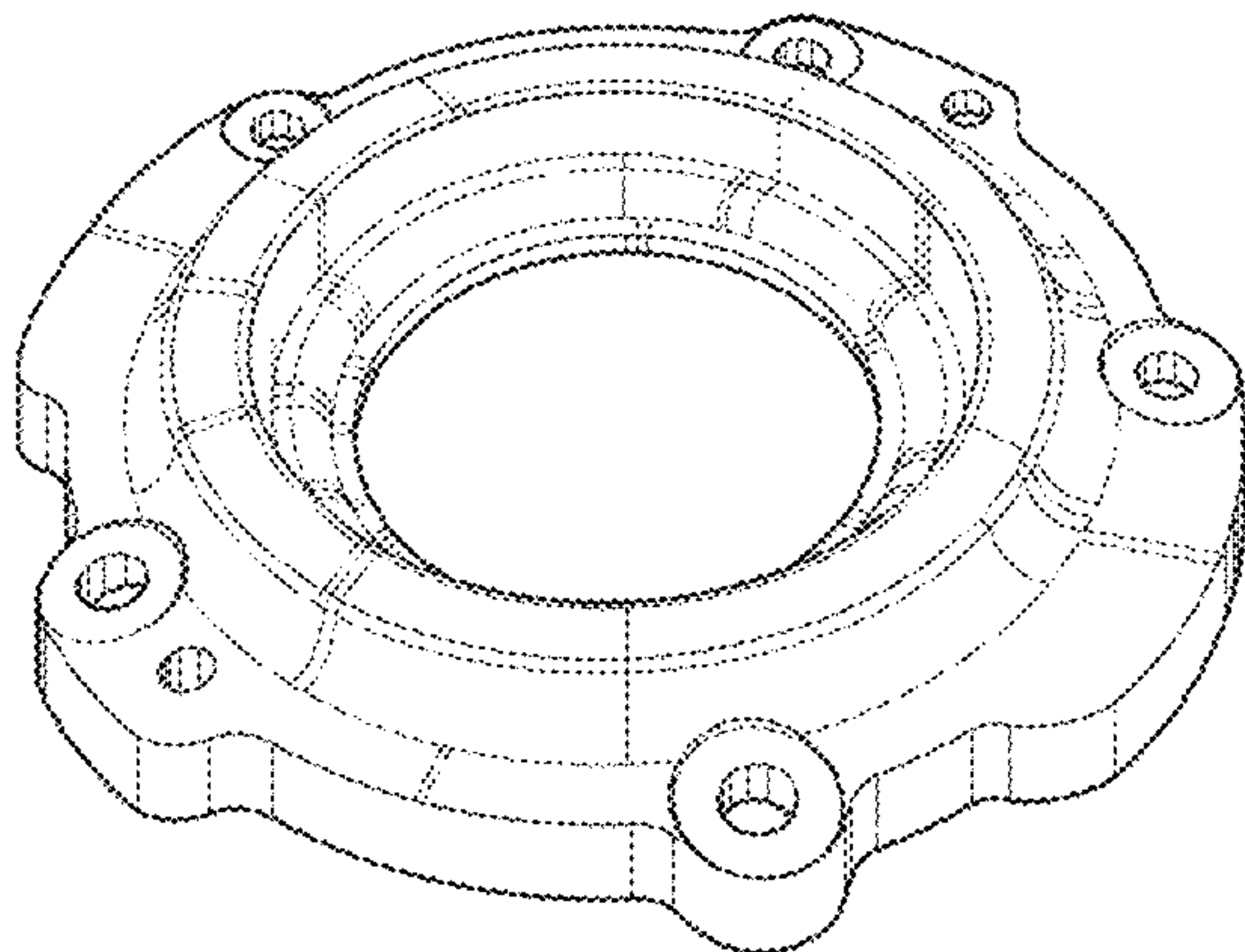
(57) **CLAIM**

The ornamental design for a front cover plate, as shown and described.

DESCRIPTION

FIG. 1 is a top perspective view of the front cover plate; FIG. 2 is a bottom perspective view of the front cover plate; FIG. 3 is a front elevation view of the front cover plate; FIG. 4 is rear elevation view of the front cover plate; FIG. 5 is a left elevation view of the front cover plate; FIG. 6 is a right elevation view of the front cover plate; FIG. 7 is a top plan view of the front cover plate; and, FIG. 8 is a bottom plan view of the front cover plate.

1 Claim, 4 Drawing Sheets



(56)

References Cited

U.S. PATENT DOCUMENTS

5,299,667 A * 4/1994 Hammond F16D 13/64
188/218 XL
5,351,974 A * 10/1994 Cech B60T 1/04
188/17
5,429,216 A * 7/1995 Kahr F16D 65/092
188/250 E
6,076,896 A * 6/2000 Bertetti B60B 27/00
188/18 A
6,102,183 A * 8/2000 Gerken F16D 25/0638
192/110 R
6,283,255 B1 * 9/2001 Gardner B60T 1/065
188/18 A
D482,643 S * 11/2003 Gavin D12/180
6,978,866 B2 * 12/2005 Niebling F16D 65/12
188/18 A
7,104,368 B2 * 9/2006 Cornolti F16D 65/123
188/18 A
7,178,640 B2 * 2/2007 Nowak F16D 55/228
188/71.4
D581,844 S * 12/2008 Ohigashi D12/180
D605,099 S * 12/2009 Schmitz D12/180
D605,998 S * 12/2009 McEwen D12/207
D607,795 S * 1/2010 Schmitz D12/180
7,934,777 B1 * 5/2011 Yuhas B60B 3/16
188/18 A
D647,015 S * 10/2011 Henning D12/180
D655,992 S * 3/2012 Noyes D12/180
D690,634 S * 10/2013 Joseph 188/18 A
D691,528 S * 10/2013 Joseph D12/180
D691,556 S * 10/2013 Lin D13/122

8,584,550 B1 * 11/2013 Calendrille, Jr. B62K 23/06
74/489
8,596,429 B2 * 12/2013 Schlitz F16D 65/12
188/218 XL
D747,245 S * 1/2016 Nosworthy D12/180
2009/0211856 A1 * 8/2009 Sollenskog F16D 65/12
188/18 A
2012/0061184 A1 * 3/2012 Craft F04C 2/102
184/6.12
2012/0168266 A1 * 7/2012 Veneziano F16D 65/12
188/218 XL
2013/0133998 A1 * 5/2013 Maronati F16D 65/123
188/218 XL
2015/0021128 A1 * 1/2015 White F16D 65/128
188/218 XL

OTHER PUBLICATIONS

Brake plates that fit stock Z50 hubs—Baja build, image post date Nov. 12, 2011, site visited Dec. 27, 2016, (online), <<http://www.monkeybikeoz.com.au/showthread.php?79-Baja-build&s=f55ed6f4462e6c16553b80adb411ac60>>.*
Honda Fourtrax 300 1990-2000 Rear Brake Backing Plate Panel, image post date 1990, site visited Dec. 27, 2016, (online), <<http://www.redtagmoto.com/HONDA-FOURTRAX-300-REAR-BRAKE-BACKING-PLATE-PANEL-p/br182.htm>>.*
Brake Cover Plates—Carrera Parts, image post date Oct. 12, 2014, site visited Dec. 27, 2016, (online), <<http://web.archive.org/web/20141012083348/http://www.carrerapartsonline.com/store/c7/Brakes.html>>.*

* cited by examiner

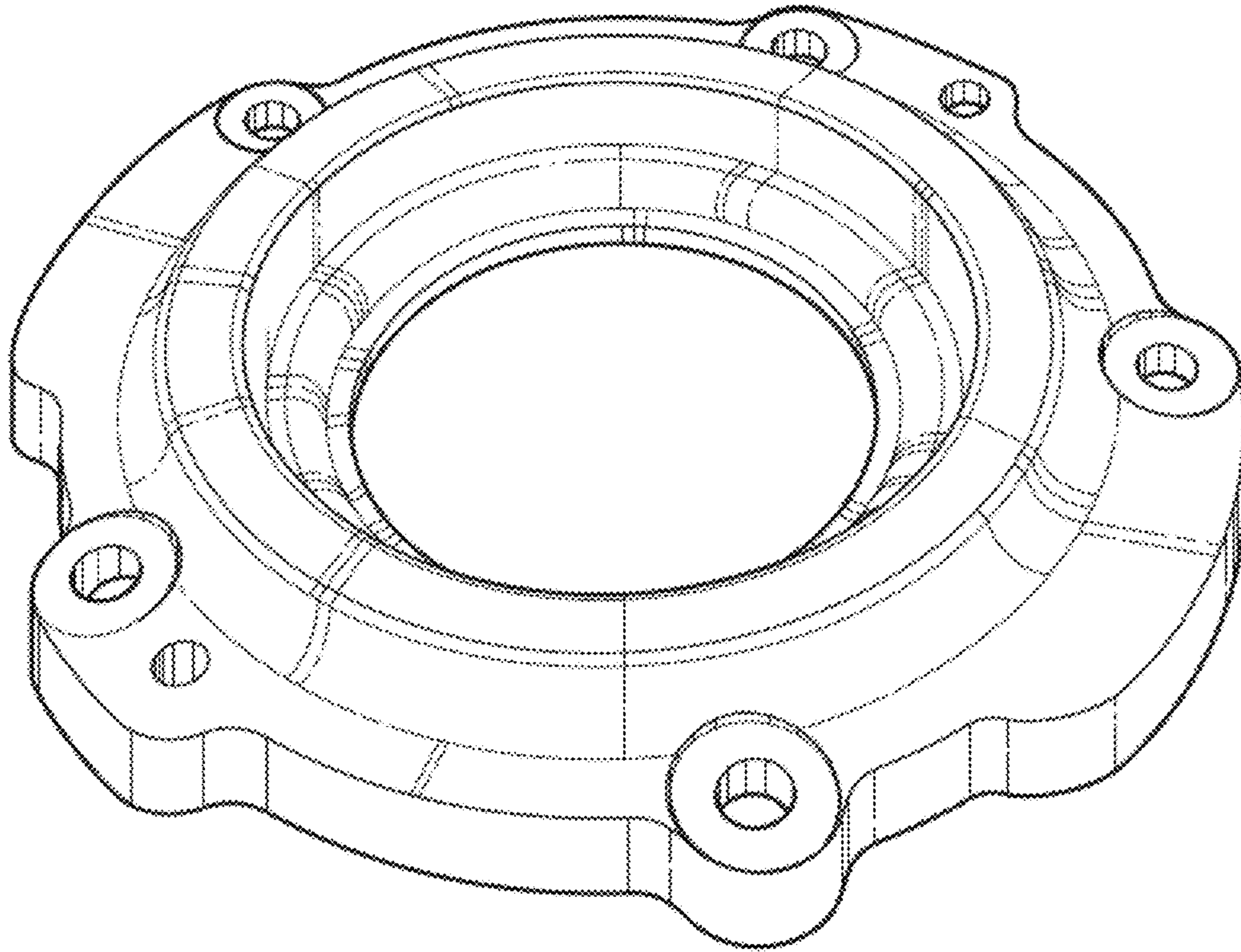


Fig. 1

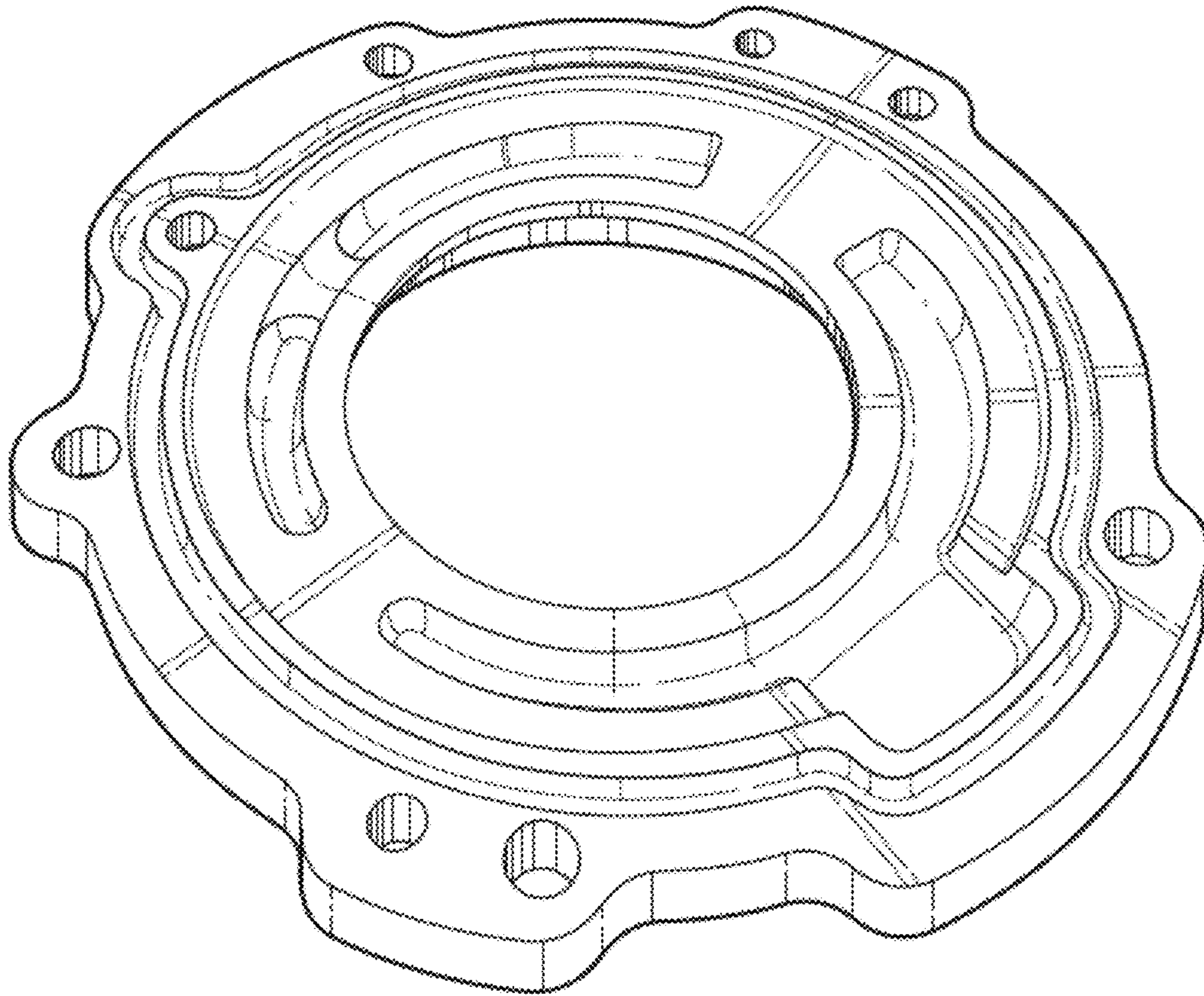


Fig. 2

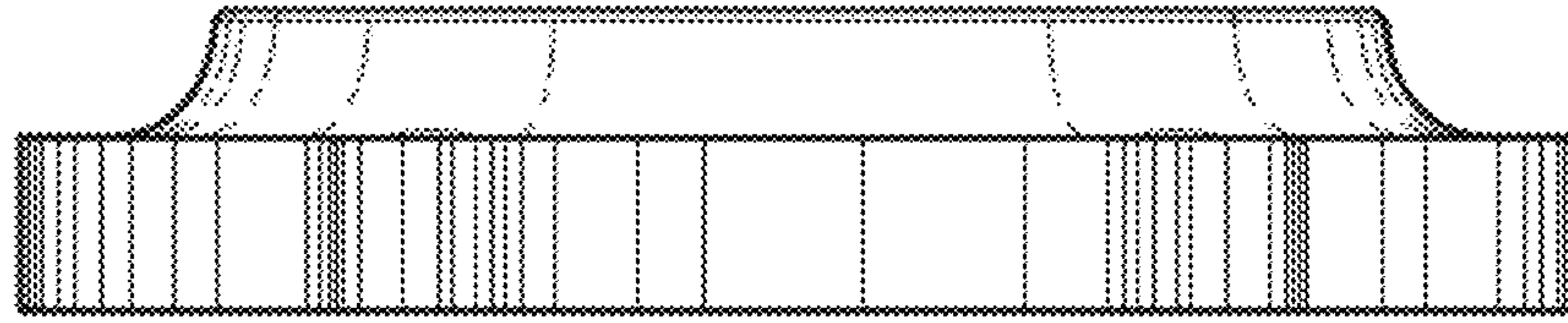


Fig. 3

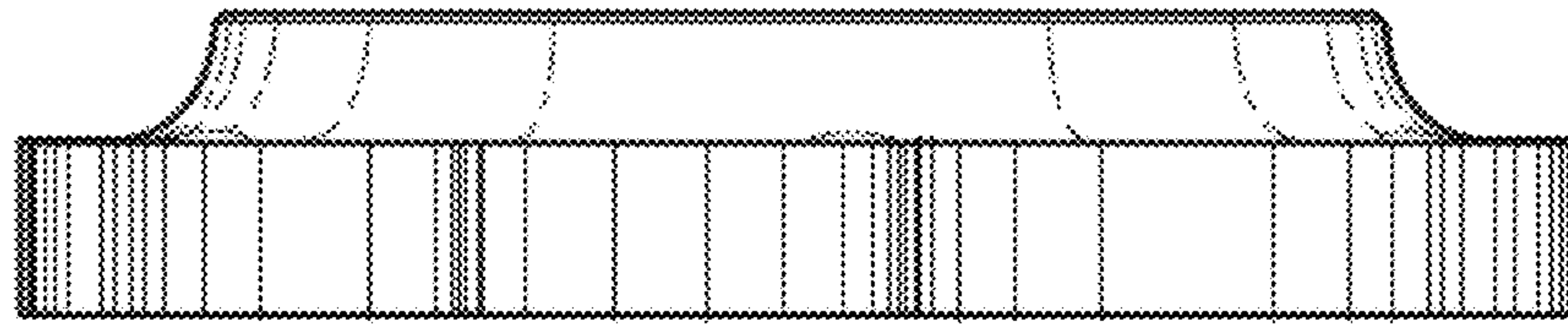


Fig. 4

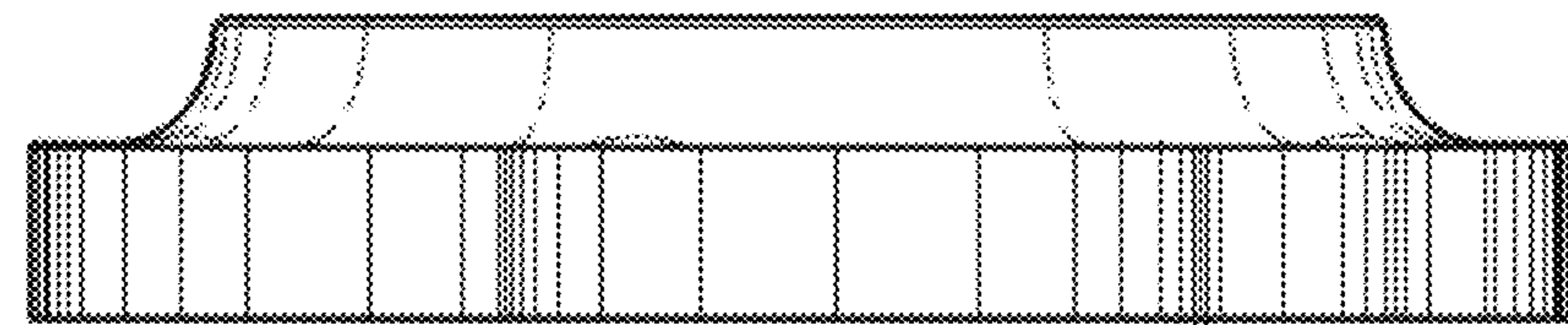


Fig. 5



Fig. 6

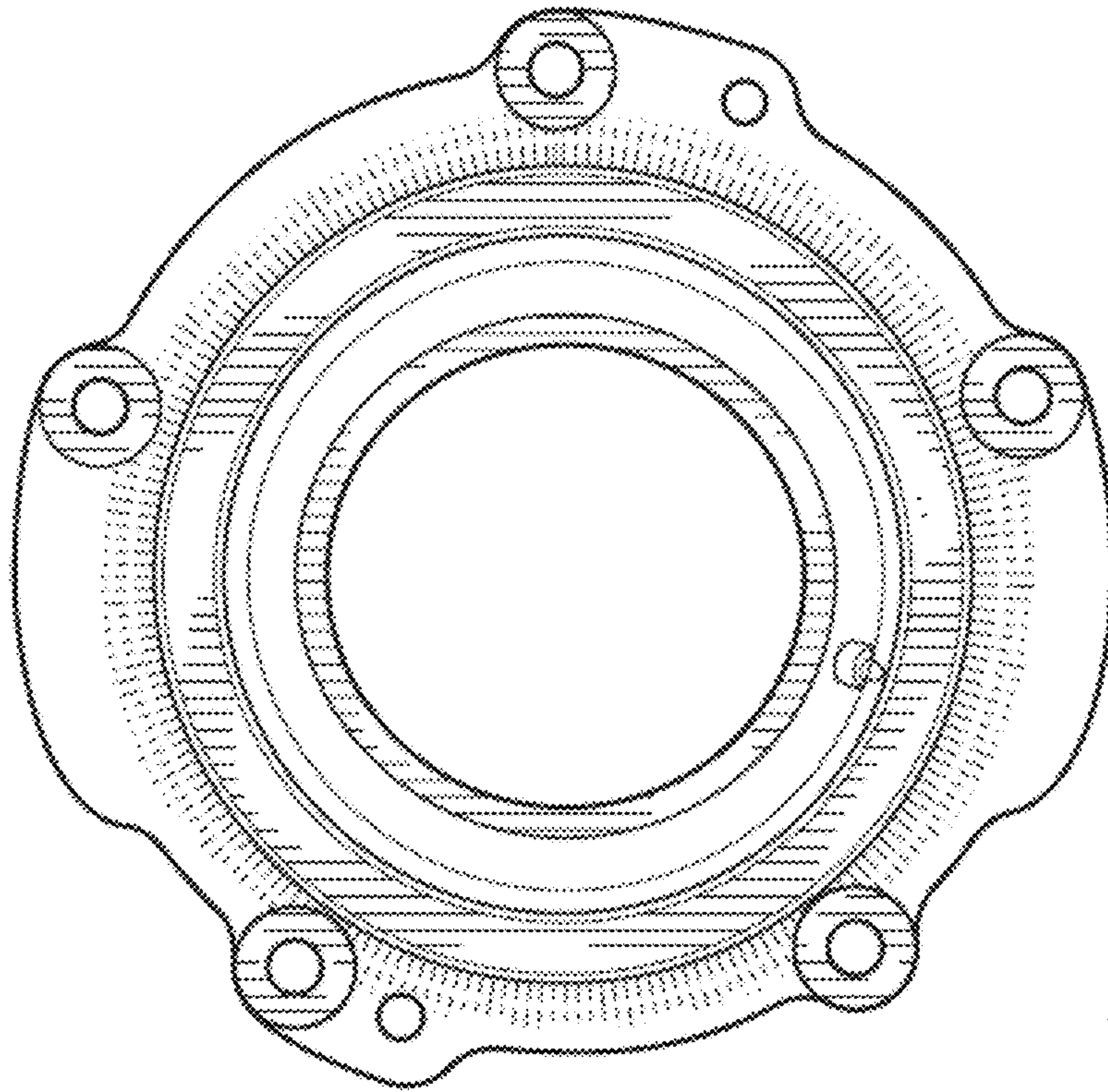


Fig. 7

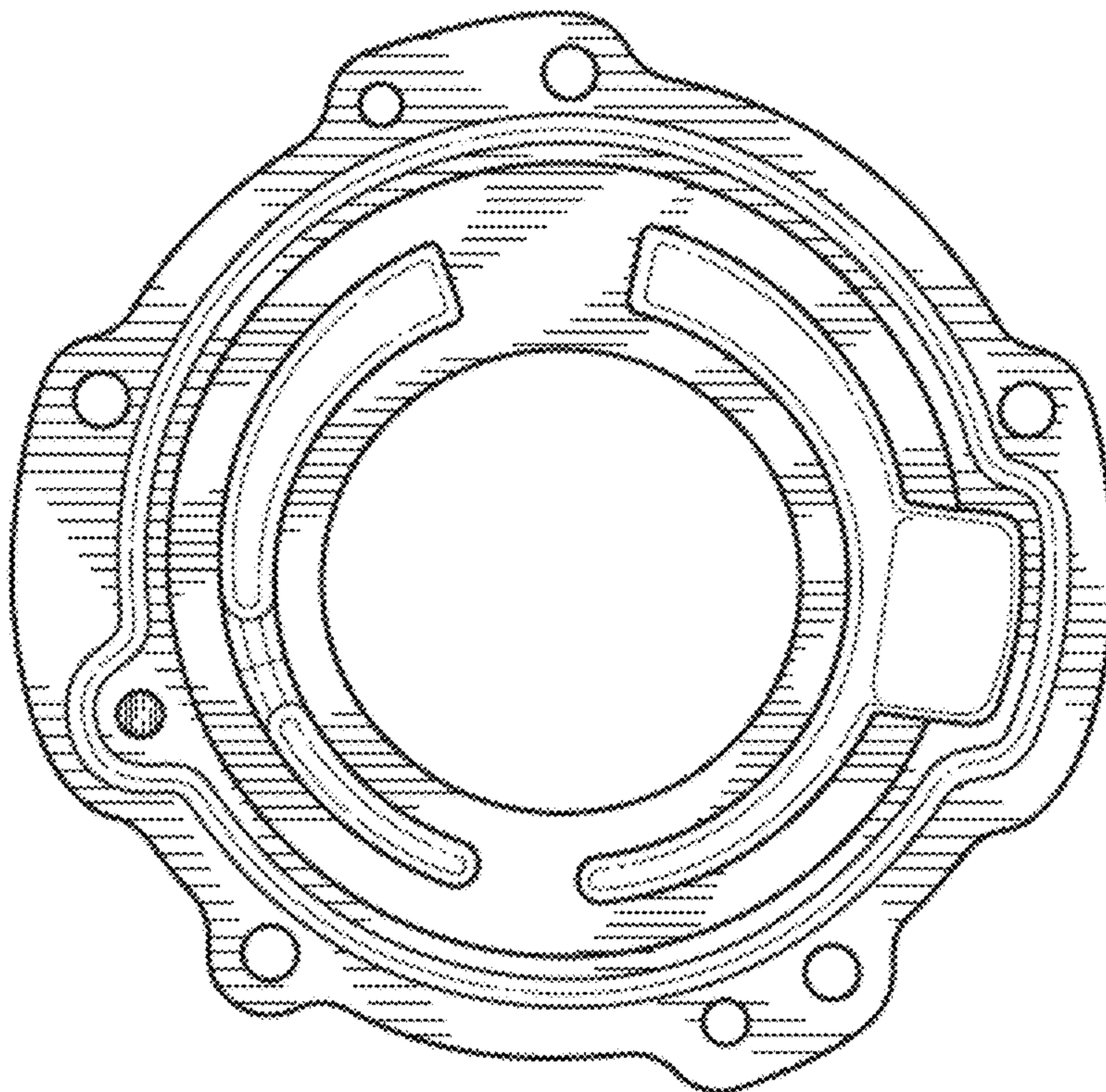


Fig. 8