



US00D782943S

(12) **United States Design Patent**
Kavaja

(10) **Patent No.:** **US D782,943 S**

(45) **Date of Patent:** **** Apr. 4, 2017**

- (54) **VEHICLE LOWER GRILL**
- (71) Applicant: **GM Global Technology Operations LLC, Detroit, MI (US)**
- (72) Inventor: **Henri Kavaja, Warren, MI (US)**
- (73) Assignee: **GM Global Technology Operations LLC, Detroit, MI (US)**
- (**) Term: **15 Years**
- (21) Appl. No.: **29/539,519**
- (22) Filed: **Sep. 15, 2015**

D533,485 S	12/2006	Schiavone et al.	
D535,589 S	1/2007	Lau et al.	
D560,568 S	1/2008	Tant et al.	
D561,068 S	2/2008	Golden et al.	
D561,654 S *	2/2008	Platto	D12/163
D561,656 S	2/2008	Ellis et al.	
D578,443 S *	10/2008	Schiavone	D12/163
D580,310 S	11/2008	Tant et al.	
D580,312 S	11/2008	Opfer et al.	
D587,174 S	2/2009	Spearman-Oxx et al.	
D593,460 S *	6/2009	Schiavone	D12/163
D597,897 S	8/2009	Wagner et al.	
D603,305 S *	11/2009	Woolley	D12/163
D607,787 S	1/2010	Golden et al.	

(Continued)

Related U.S. Application Data

- (63) Continuation of application No. 29/441,608, filed on Jan. 8, 2013, now Pat. No. Des. 738,797.
- (51) **LOC (10) Cl.** **12-16**
- (52) **U.S. Cl.**
USPC **D12/163**
- (58) **Field of Classification Search**
USPC D12/86, 90, 91, 92, 163, 169, 196, 171, D12/216; D15/31; 180/68.1, 68.6; 293/103, 115, 117, 120, 193.1, 193.11
CPC . B60R 19/52; B60R 2019/525; B60K 11/085; B62D 25/084; H01Q 1/32
See application file for complete search history.

(56) **References Cited**

U.S. PATENT DOCUMENTS

RE34,907 E *	4/1995	Gross	B60K 11/085 160/DIG. 1
D411,493 S	6/1999	Davis, Jr.	
6,702,343 B1 *	3/2004	Stull	B60R 19/52 180/68.6
6,921,117 B2 *	7/2005	Rackham	B60R 19/52 293/115

OTHER PUBLICATIONS

Innovation to Achieve More. 2013 GMC Acadia. We Are Professional Grade. Nov. 13, 2012 (online), retrieved on Aug. 16, 2013. Retrieved from the Internet URL: http://www.auto-brochures.com/makes/GMC/Acadia/GMC_US%20Acadia_2013.pdf.

(Continued)

Primary Examiner — Darlington Ly
(74) *Attorney, Agent, or Firm* — Mickki D. Murray, Esq.; Parks IP Law LLC

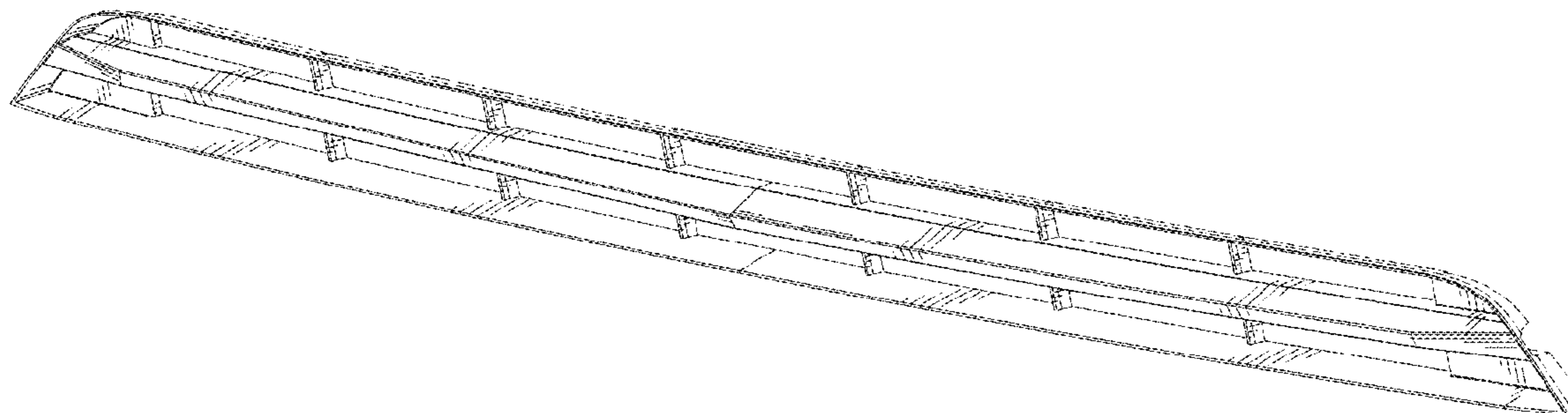
(57) **CLAIM**

The ornamental design for a vehicle lower grille, as shown and described.

DESCRIPTION

FIG. 1 is a front perspective view of a vehicle lower grille showing the new design; FIG. 2 is a front view, thereof; and, FIG. 3 is a side view, thereof. The broken lines illustrate portions of the vehicle lower grille that form no part of the claimed design.

1 Claim, 1 Drawing Sheet



(56)

References Cited

U.S. PATENT DOCUMENTS

D609,141	S	2/2010	Kruger et al.	
D615,008	S *	5/2010	Lamm	D12/163
D637,117	S *	5/2011	Lamm	D12/163
D680,921	S *	4/2013	Jara	D12/163
D692,806	S *	11/2013	Hamilton	D12/169
D698,703	S *	2/2014	Rupar	D12/163
D698,704	S *	2/2014	Rupar	D12/163
D701,804	S *	4/2014	Campbell	D12/169
D720,263	S *	12/2014	Pevovar	D12/163
D726,598	S *	4/2015	Rupar	D12/163
D727,804	S *	4/2015	Nurnberger	D12/163
D730,785	S *	6/2015	Hammoud	D12/163
D738,797	S	9/2015	Kavaja	
D742,796	S *	11/2015	Loeb	D12/163
2011/0005851	A1	1/2011	Doroghazi et al.	

OTHER PUBLICATIONS

Mark Williams. GMC's Top Designer Wants a New Look. Feb. 8, 2012 (online), retrieved on Aug. 16, 2013). Retrieved from the Internet URL: http://www.auto-brochures.com/makes/GMC/Acadia/GMC_US%20Acadia_2013.pdf.

* cited by examiner

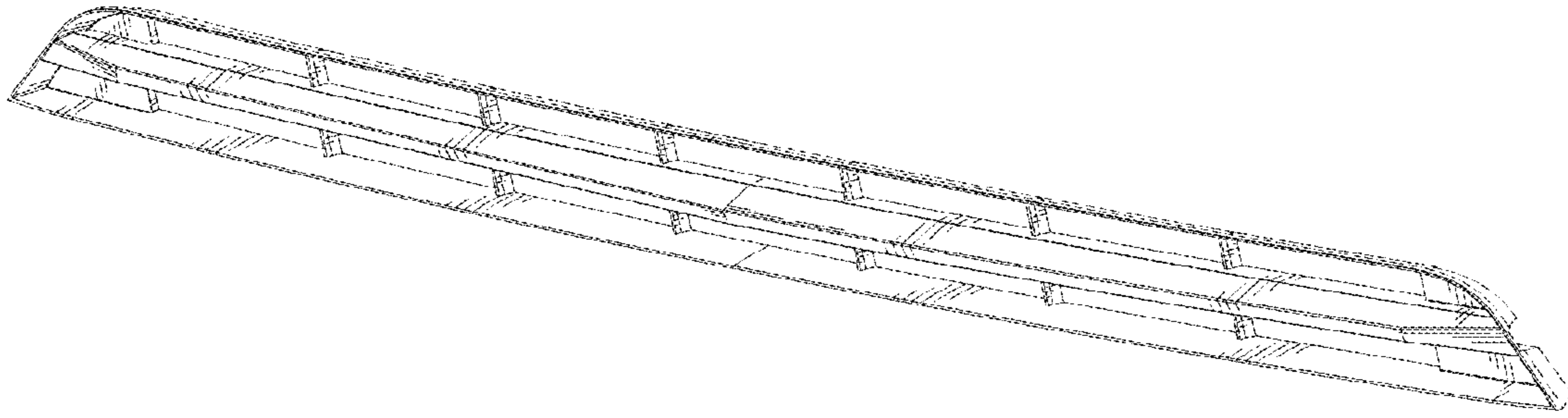


Fig-1

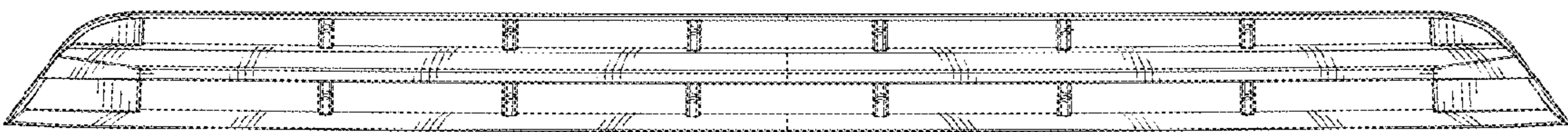


Fig-2

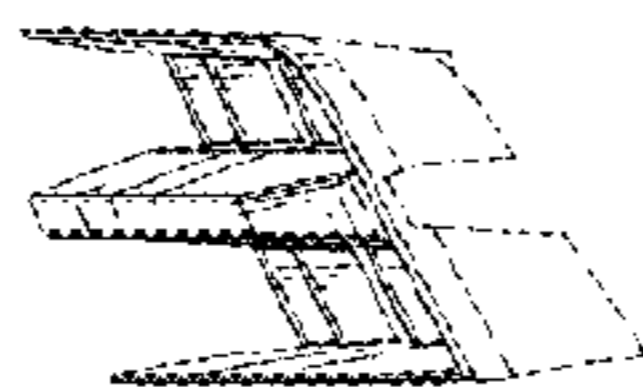


Fig-3