



US00D782942S

(12) **United States Design Patent**  
**Trifaro et al.**

(10) **Patent No.:** **US D782,942 S**

(45) **Date of Patent:** **\*\* Apr. 4, 2017**

(54) **ADULT TRICYCLE**

(71) Applicants: **Michael Trifaro**, Staten Island, NY (US); **Christopher Trifaro**, Staten Island, NY (US); **Arnold Kamler**, Parsippany, NJ (US)

(72) Inventors: **Michael Trifaro**, Staten Island, NY (US); **Christopher Trifaro**, Staten Island, NY (US); **Arnold Kamler**, Parsippany, NJ (US)

(\*\*) Term: **15 Years**

(21) Appl. No.: **29/554,081**

(22) Filed: **Feb. 8, 2016**

(51) **LOC (10) Cl.** ..... **12-11**

(52) **U.S. Cl.**  
USPC ..... **D12/112; D21/423**

(58) **Field of Classification Search**  
USPC ..... D12/111, 112, 117, 406, 407;  
280/274-280, 281.1, 283-288,  
280/288.1-288.4  
CPC . B62K 3/00; B62K 3/005; B62K 5/02; B62K  
5/06; B62K 9/00; B62K 19/00; B62K  
19/02; B62K 19/04; B62K 19/06; B62K  
19/16  
See application file for complete search history.

D296,774 S \* 7/1988 Armstrong ..... D12/112  
D334,157 S \* 3/1993 Tonelli ..... D12/113  
5,191,842 A \* 3/1993 Tinkler ..... B61D 3/16  
105/355  
D366,635 S \* 1/1996 Pasin ..... D12/112  
5,685,553 A 11/1997 Wilcox et al.  
D411,971 S \* 7/1999 McMahan ..... D12/112  
D436,896 S \* 1/2001 Chiappepta ..... D12/113  
D436,897 S \* 1/2001 Chiappepta ..... D12/113  
D461,145 S \* 8/2002 Chiappetta ..... D12/113  
6,543,368 B1 \* 4/2003 Forbes ..... B61D 45/003  
105/396  
D480,024 S \* 9/2003 Gunter ..... D12/112  
D480,665 S \* 10/2003 Gunter ..... D12/112  
D484,073 S \* 12/2003 Heinemann ..... D12/112  
6,668,496 B1 \* 12/2003 Clapp ..... B60P 3/32  
52/745.02  
D488,103 S \* 4/2004 Chauderge ..... D12/112  
6,830,255 B2 12/2004 Cheng  
D514,476 S \* 2/2006 Glenn, II ..... D12/112  
D524,193 S \* 7/2006 Hong ..... D12/112  
D582,489 S \* 12/2008 Badanjo ..... D21/435  
D593,910 S \* 6/2009 Calvin ..... D12/112  
D608,250 S \* 1/2010 Van De Vrie ..... D12/112  
D626,038 S \* 10/2010 Li ..... D12/112  
D645,381 S \* 9/2011 Bricker ..... D12/112  
8,066,089 B2 11/2011 Murad

(Continued)

*Primary Examiner* — Darlington Ly  
(74) *Attorney, Agent, or Firm* — Doherty IP Law Group LLC

(57) **CLAIM**

The ornamental design for an adult tricycle, as shown and described.

**DESCRIPTION**

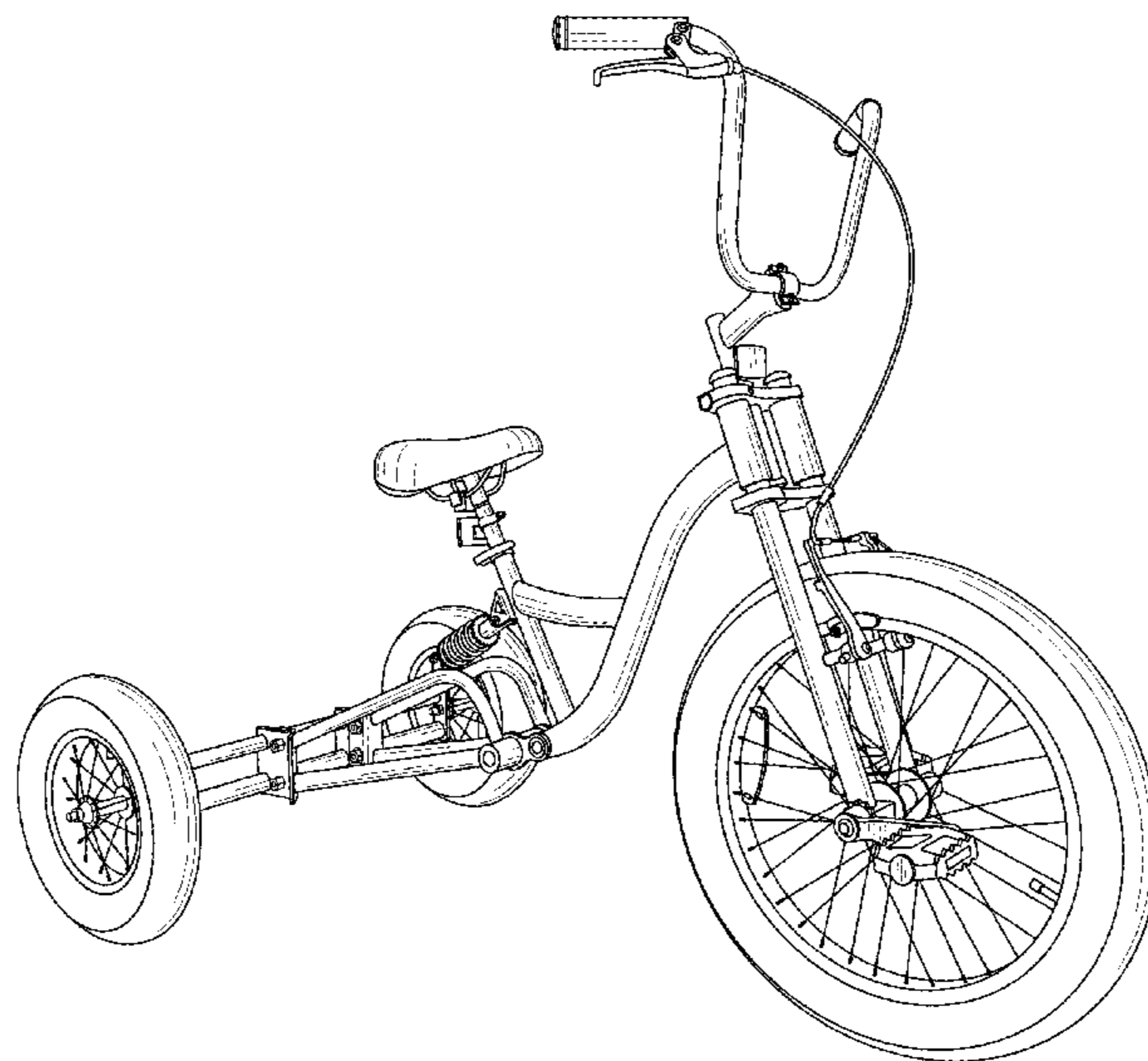
FIG. 1 is a front and right side perspective view of an adult tricycle showing our new design; and, FIG. 2 is a right side elevation view thereof.

**1 Claim, 2 Drawing Sheets**

(56) **References Cited**

U.S. PATENT DOCUMENTS

3,879,050 A \* 4/1975 Young ..... E04B 1/34352  
280/639  
4,159,752 A 7/1979 Kanno  
D263,942 S \* 4/1982 Francis ..... D12/101  
4,429,760 A 2/1984 Koizumi et al.  
D277,947 S \* 3/1985 Blumenthal ..... D12/112  
D281,965 S \* 12/1985 Rudell ..... D12/108



(56)

**References Cited**

U.S. PATENT DOCUMENTS

D649,912	S *	12/2011	Chen .....	D12/101
8,186,698	B2	5/2012	Gunderson	
D688,597	S *	8/2013	Oren .....	D12/101
D694,670	S *	12/2013	Oren .....	D12/101
8,596,649	B2 *	12/2013	Bricker .....	B62K 9/02 280/282
8,696,008	B2	4/2014	Hoogendoorn	
8,820,461	B2	9/2014	Shinde et al.	
9,227,683	B2 *	1/2016	Gunderson .....	B62K 5/02
2003/0141695	A1	7/2003	Chen	
2005/0178285	A1 *	8/2005	Beers .....	B60P 3/20 105/404
2007/0234927	A1 *	10/2007	Beers .....	B61D 17/005 105/404
2009/0255747	A1	10/2009	Kasaba et al.	
2011/0056756	A1	3/2011	Murad	
2011/0074131	A1	3/2011	Cho	
2012/0104722	A1	5/2012	Gunderson	
2013/0075995	A1	3/2013	Gunderson	
2013/0075996	A1	3/2013	Armbruster	
2013/0193668	A1	8/2013	Decker et al.	
2015/0054252	A1	2/2015	Lee	

\* cited by examiner

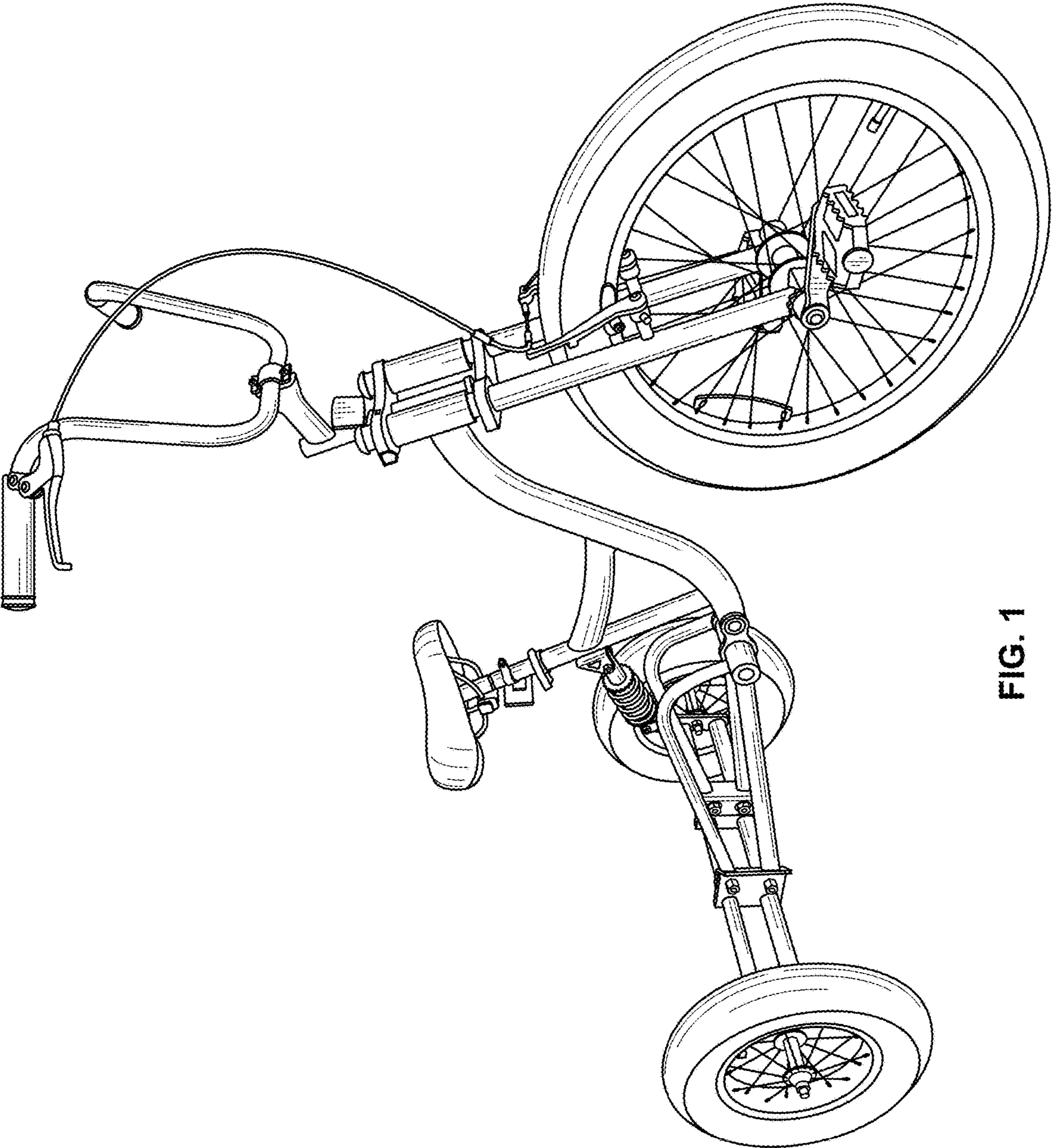


FIG. 1

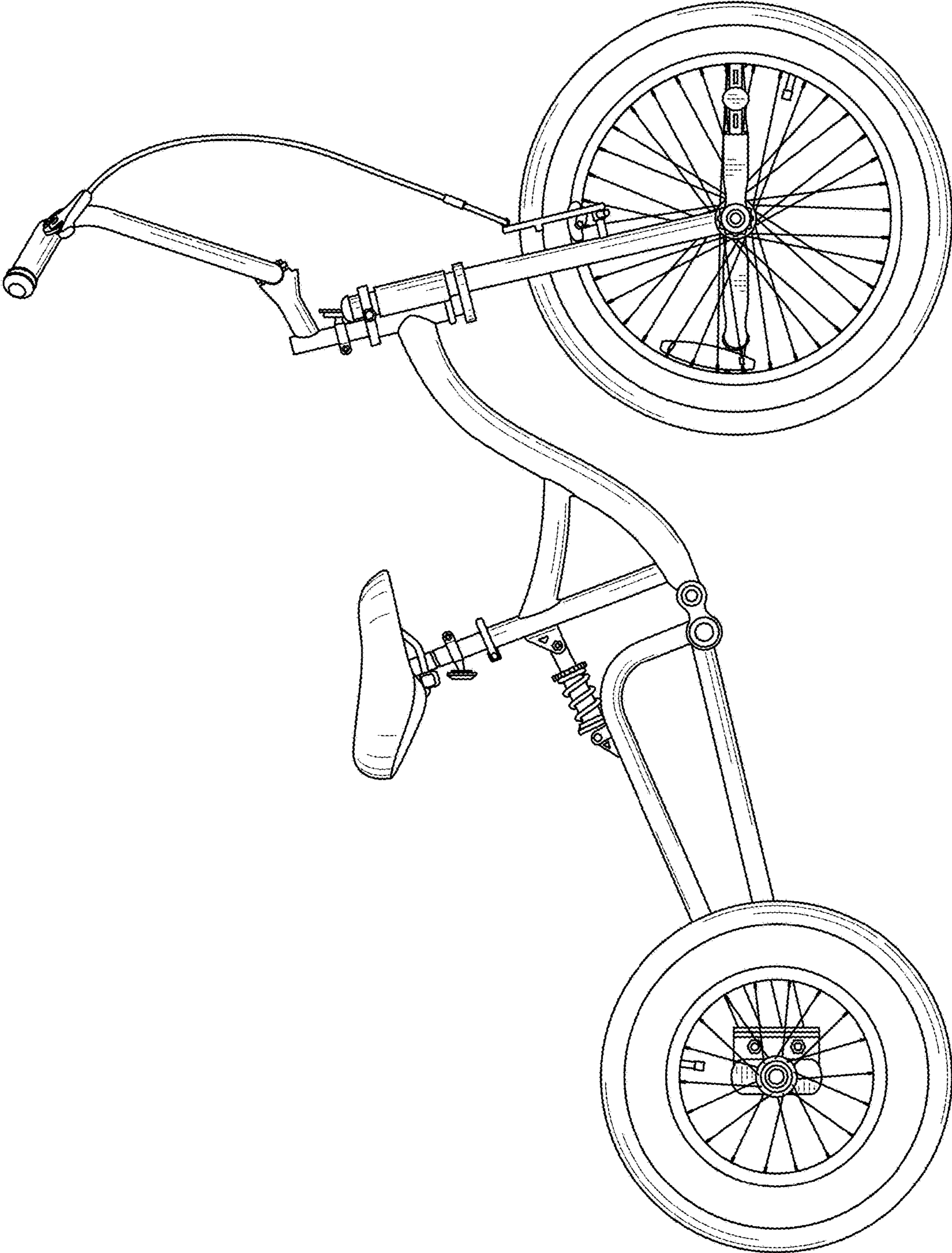


FIG. 2