



US00D782941S

(12) **United States Design Patent** (10) **Patent No.:** **US D782,941 S**
Allard et al. (45) **Date of Patent:** **** Apr. 4, 2017**

(54) **VENT HOUSING** 4,630,029 A * 12/1986 Hayward B60Q 1/2611
296/218
(71) Applicant: **DOMETIC SWEDEN AB**, Solna (SE) 4,872,722 A 10/1989 Farmont
4,929,019 A * 5/1990 Paakkonen B60J 7/1642
296/216.02
(72) Inventors: **James Allard**, Davisburg, MI (US);
Mark L. Smith, Buchanan, MI (US);
Hari Sunkara, Elkhart, IN (US) (Continued)

FOREIGN PATENT DOCUMENTS

(73) Assignee: **Dometic Sweden AB**, Solna (SE) AU 359397 12/2014
AU 359396 2/2015
(**) Term: **15 Years** (Continued)

OTHER PUBLICATIONS

(21) Appl. No.: **29/557,273**
(22) Filed: **Mar. 8, 2016**
Related U.S. Application Data
(62) Division of application No. 29/493,405, filed on Jun. 9, 2014, now Pat. No. Des. 762,528.
U.S. Patent and Trademark Office, International Search Report for PCT/US2014/041566, Oct. 24, 2014.

Primary Examiner — Katrina A Betton
(74) *Attorney, Agent, or Firm* — Middleton Reutlinger

(51) **LOC (10) Cl.** **12-10**
(52) **U.S. Cl.**
USPC **D12/106**

(57) **CLAIM**

(58) **Field of Classification Search**
USPC D12/106, 100–105, 19, 219, 111–112;
D21/425, 435; D34/21–26, 12, 16–19
CPC B62D 35/02; B62D 35/00; A62B 3/005;
B60P 3/10; B60P 3/1033; E01F 15/14
See application file for complete search history.

The ornamental design for a vent housing, as shown and described.

DESCRIPTION

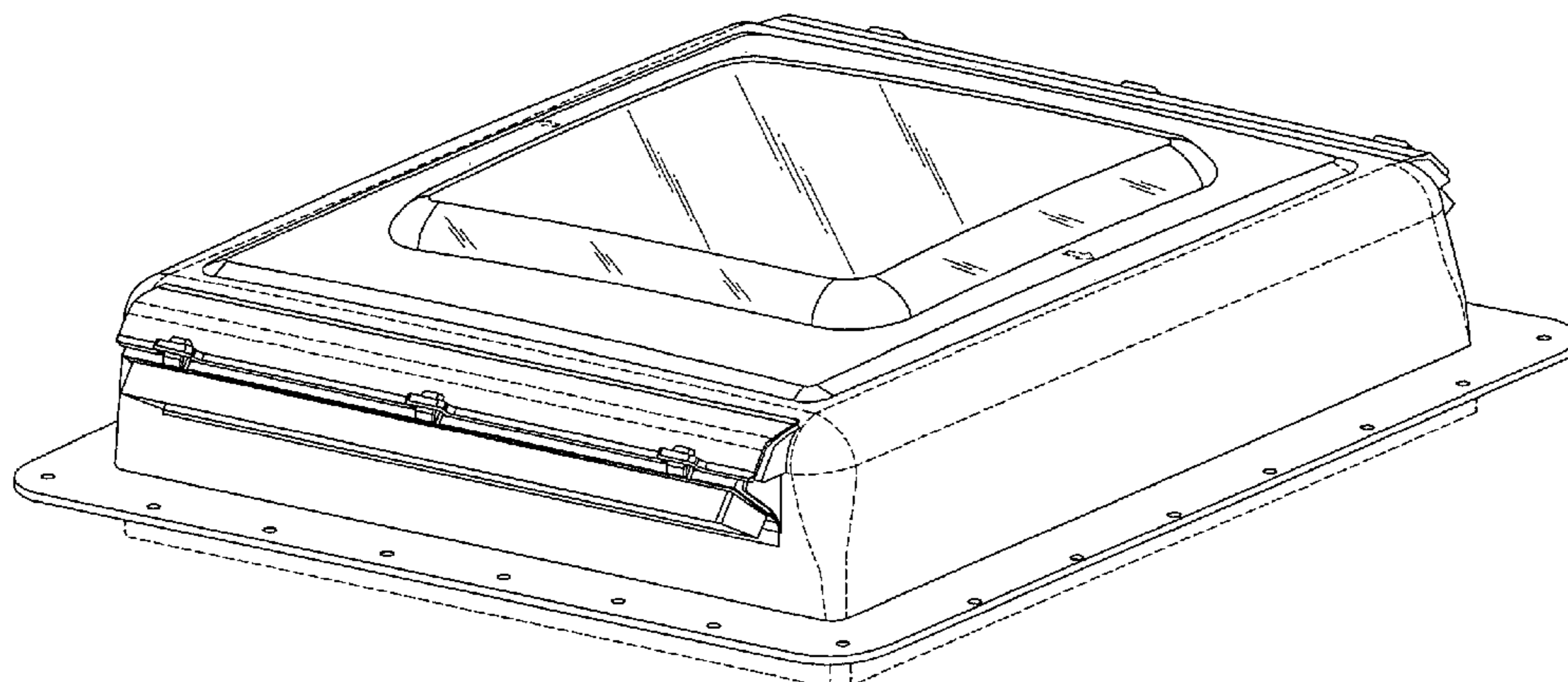
(56) **References Cited**

FIG. 1 is a front perspective view of the design of the vent housing;
FIG. 2 is a front elevation view of the design of FIG. 1, with the rear elevation view of the design being a mirror image of FIG. 2;
FIG. 3 is a first side elevation view of the design of FIG. 1, with the second side elevation view of the design being a mirror image of FIG. 3; and,
FIG. 4 is a top plan view of the design of FIG. 1.
The broken line disclosure represents unclaimed portions of the vent housing in which the design is embodied.

U.S. PATENT DOCUMENTS

536,156 A 3/1895 Rice
3,016,952 A 1/1962 Shero
3,934,383 A 1/1976 Perry et al.
4,038,911 A 8/1977 Hart
4,395,939 A 8/1983 Hough et al.
4,412,404 A * 11/1983 Manning B60J 7/1642
114/201 R
4,420,184 A * 12/1983 Kaltz B60J 7/0573
296/221
4,615,263 A 10/1986 Titterud

1 Claim, 4 Drawing Sheets



(56)

References Cited

U.S. PATENT DOCUMENTS

5,675,940 A * 10/1997 Bahar E04D 13/1475
52/200
5,797,648 A 8/1998 Fiegel et al.
5,984,405 A 11/1999 Ciacci
6,179,034 B1 1/2001 Fuss
6,347,484 B1 2/2002 Swanger
6,572,182 B2 * 6/2003 Lamparter B60J 7/1642
296/216.02
7,021,006 B2 4/2006 Farrar et al.
7,422,274 B2 * 9/2008 Salz B60J 7/22
296/217
7,721,493 B2 * 5/2010 Skov E04D 3/32
52/200
7,731,574 B2 * 6/2010 Milks B60J 7/1642
296/216.02
D771,233 S * 11/2016 Smith D23/393
2005/0003751 A1 1/2005 Thomas
2010/0056035 A1 3/2010 Hua
2015/0352924 A1 12/2015 Allard et al.

FOREIGN PATENT DOCUMENTS

CA 159763 11/2014
CN 201430506186.9 12/2014
EP 002591586 2/2015
WO 2015191029 12/2015

* cited by examiner

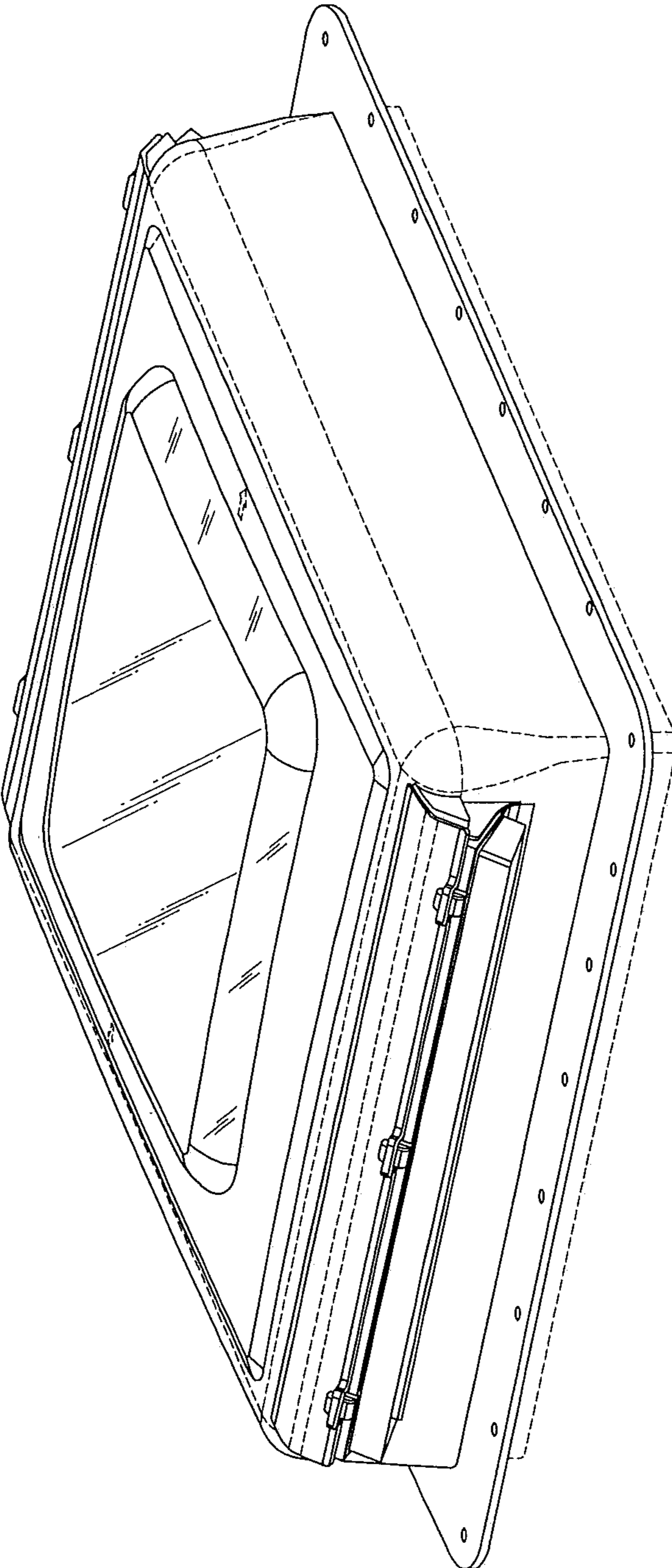


Fig. 1

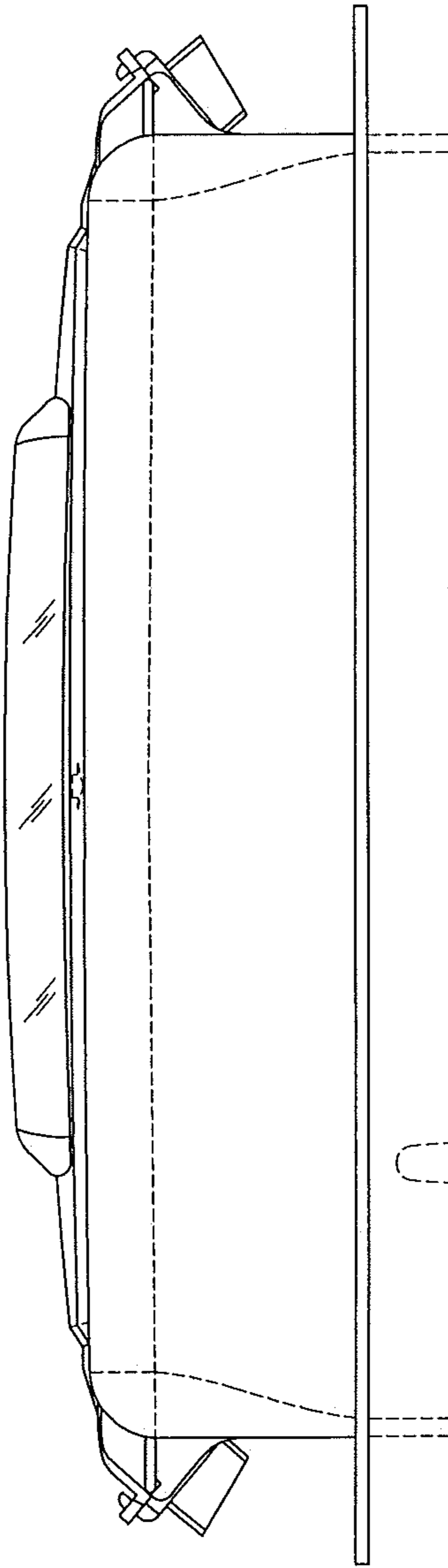


Fig. 2

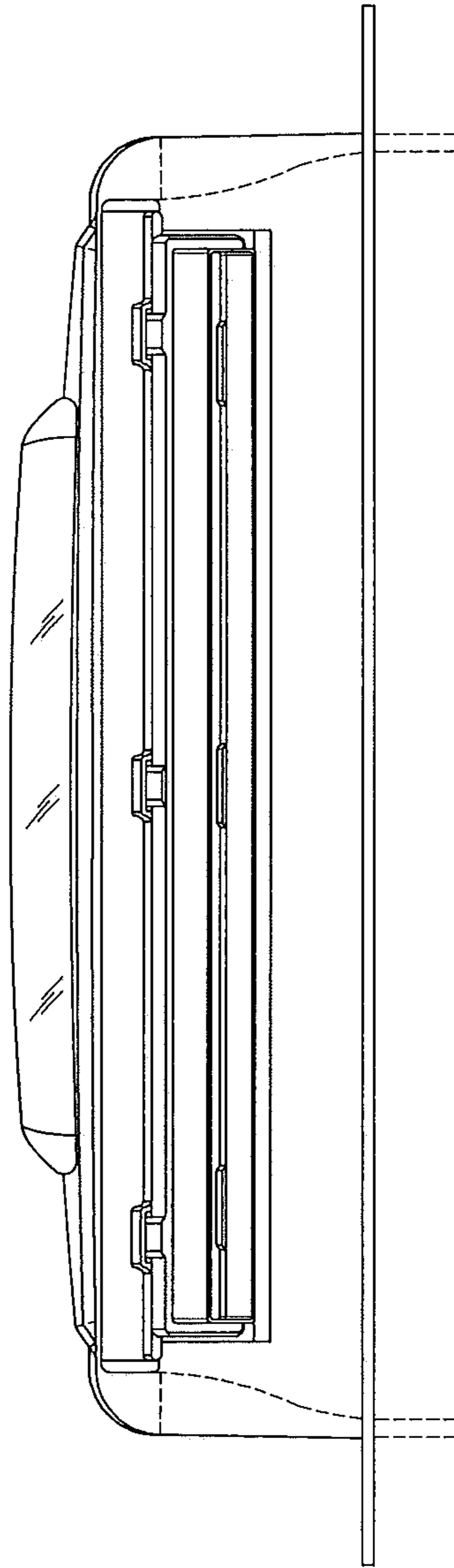


Fig. 3

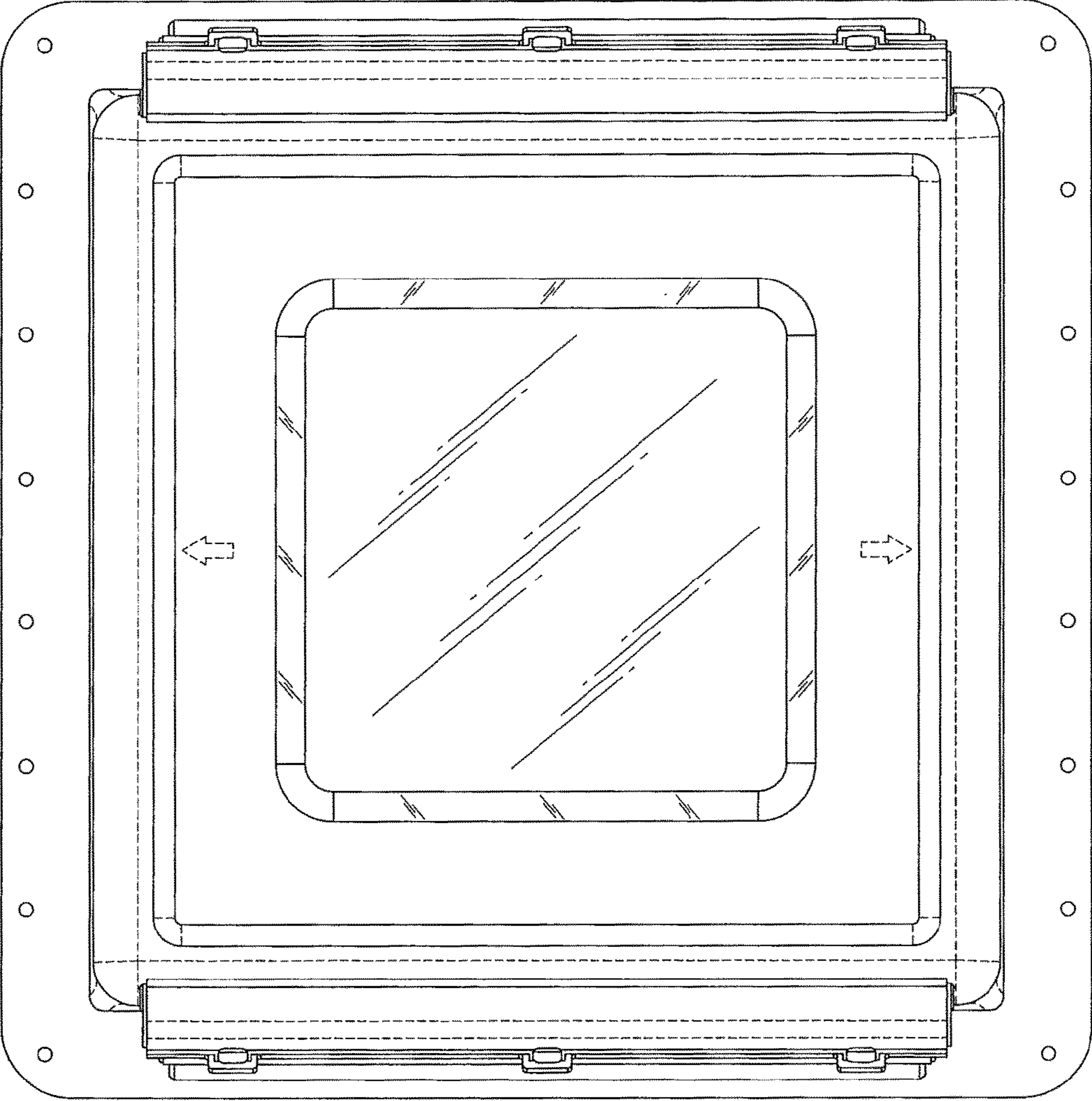


Fig. 4