



US00D782940S

(12) **United States Design Patent** (10) **Patent No.:** **US D782,940 S**  
**Allard et al.** (45) **Date of Patent:** **\*\* Apr. 4, 2017**

(54) **VENT HOUSING** 4,420,184 A \* 12/1983 Kaltz ..... B60J 7/0573  
296/221  
(71) Applicant: **DOMETIC SWEDEN AB**, Solna (SE) 4,615,263 A 10/1986 Titterud  
4,630,029 A \* 12/1986 Hayward ..... B60Q 1/2611  
296/218  
(72) Inventors: **James Allard**, Davisburg, MI (US);  
**Mark L. Smith**, Buchanan, MI (US);  
**Hari Sunkara**, Elkhart, IN (US) 4,872,722 A 10/1989 Farmont  
(Continued)

(73) Assignee: **Dometic Sweden AB**, Solna (SE)  
(\*\*) Term: **15 Years**  
(21) Appl. No.: **29/557,272**  
(22) Filed: **Mar. 8, 2016**

**FOREIGN PATENT DOCUMENTS**

AU 359397 12/2014  
AU 359396 2/2015

(Continued)

**OTHER PUBLICATIONS**

U.S. Patent and Trademark Office, International Search Report for PCT/US2014/041566, Oct. 24, 2014.

*Primary Examiner* — Katrina A Betton  
(74) *Attorney, Agent, or Firm* — Middleton Reutlinger

(57) **CLAIM**

The ornamental design for a vent housing, as shown and described.

**DESCRIPTION**

FIG. 1 is a rear perspective view of a design of the vent housing;  
FIG. 2 is a front perspective view of the design of FIG. 1;  
FIG. 3 is a front elevation view of the design of FIG. 1, with the rear elevation view of the design being a mirror image of FIG. 3;  
FIG. 4 is a first side elevation view of the design of FIG. 1, with the second side elevation view of the design being a mirror image of FIG. 4; and,  
FIG. 5 is a top plan view of the design of FIG. 1.  
The broken line disclosure represents unclaimed portions of the vent housing in which the design is embodied.

**Related U.S. Application Data**

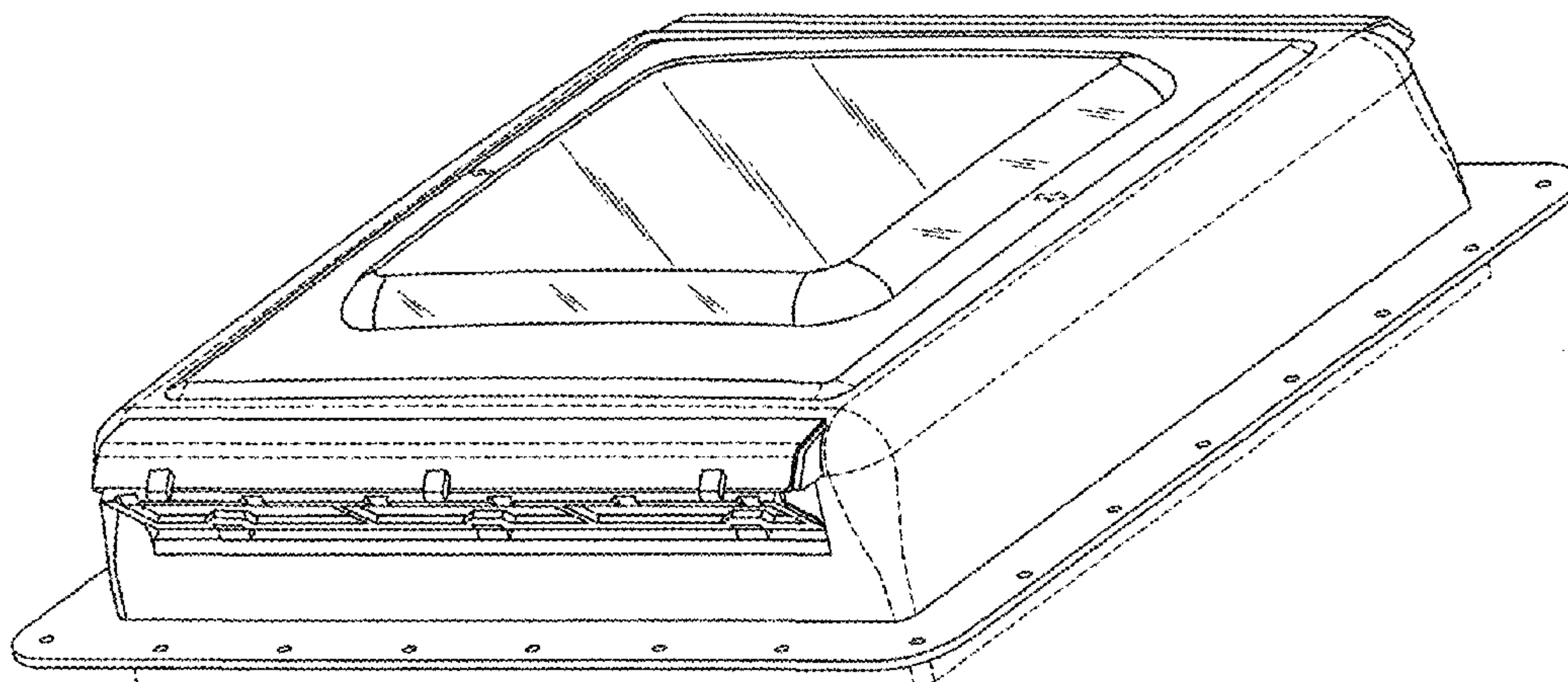
(62) Division of application No. 29/493,405, filed on Jun. 9, 2014, now Pat. No. Des. 762,528.  
(51) **LOC (10) Cl.** ..... **12-10**  
(52) **U.S. Cl.**  
USPC ..... **D12/106**  
(58) **Field of Classification Search**  
USPC ..... D12/106, 100–105, 19, 219, 111–112;  
D21/425, 435; D34/21–26, 12, 16–19  
CPC ..... B62D 35/02; B62D 35/00; A62B 3/005;  
B60P 3/10; B60P 3/1033; E01F 15/14  
See application file for complete search history.

(56) **References Cited**

**U.S. PATENT DOCUMENTS**

536,156 A 3/1895 Rice  
3,016,952 A 1/1962 Shero  
3,934,383 A 1/1976 Perry et al.  
4,038,911 A 8/1977 Hart  
4,395,939 A 8/1983 Hough et al.  
4,412,404 A \* 11/1983 Manning ..... B60J 7/1642  
114/201 R

**1 Claim, 4 Drawing Sheets**





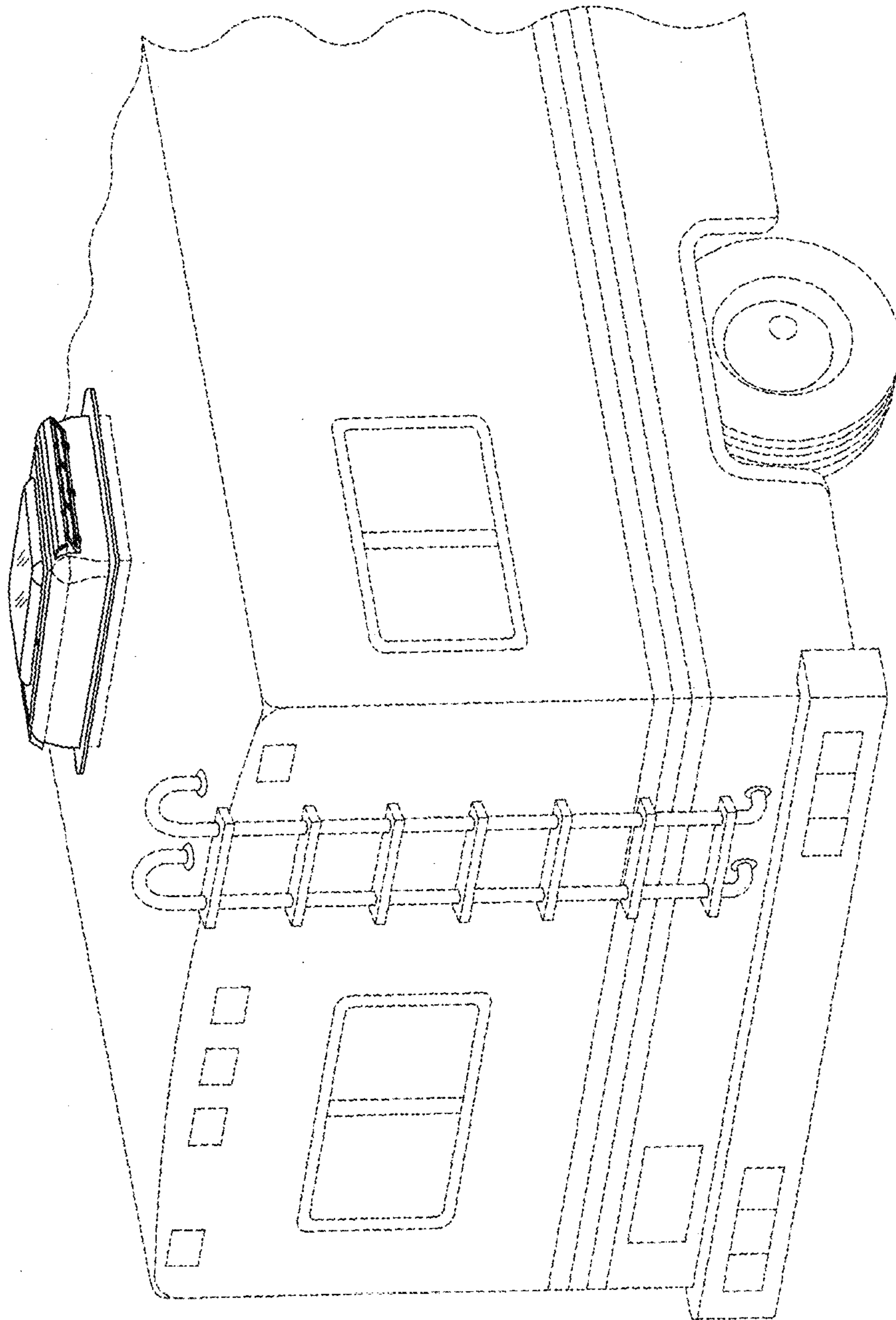


Fig. 1

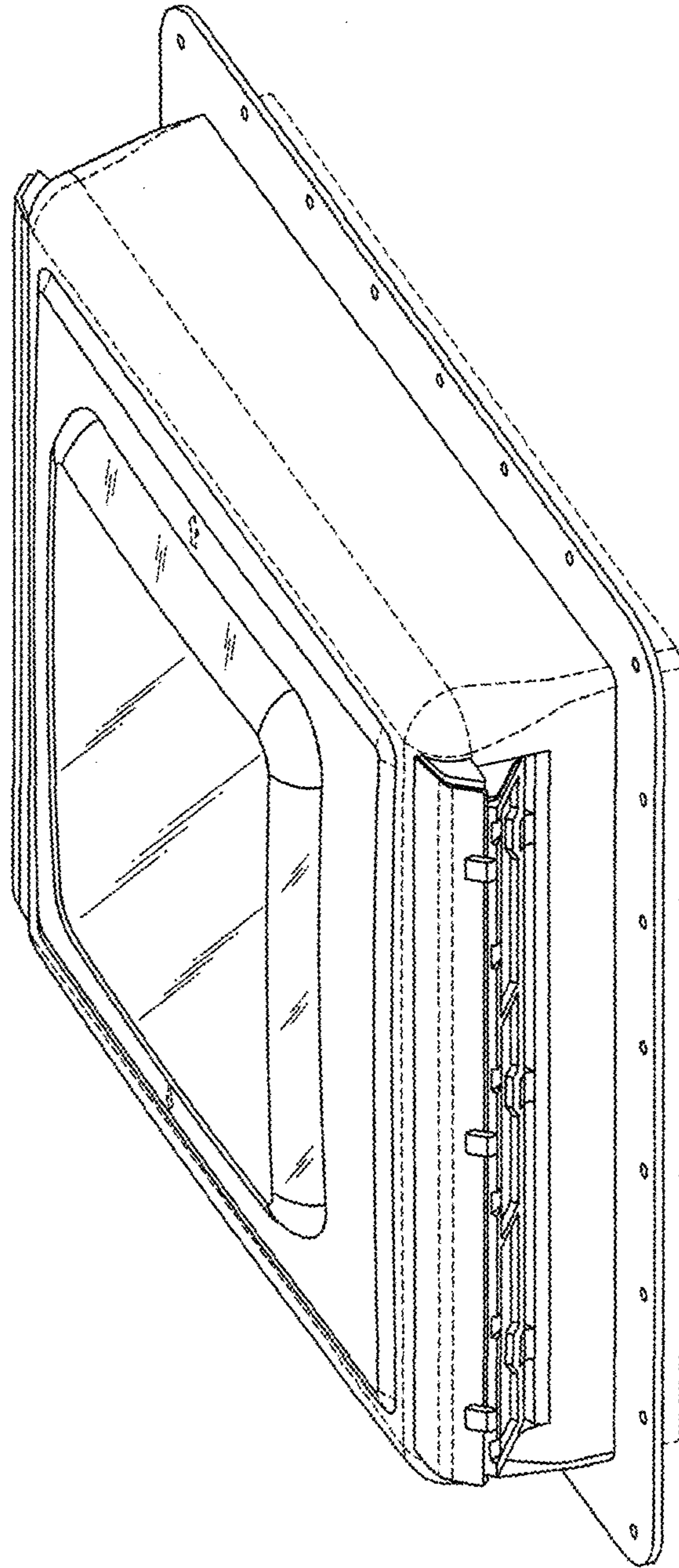


Fig. 2



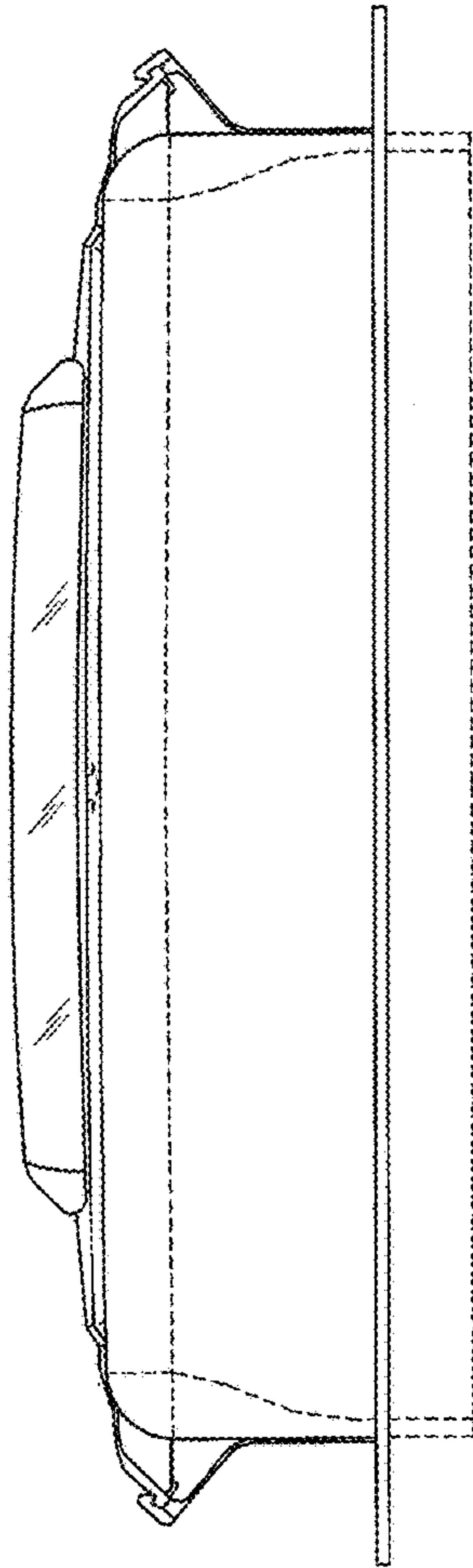


Fig. 3

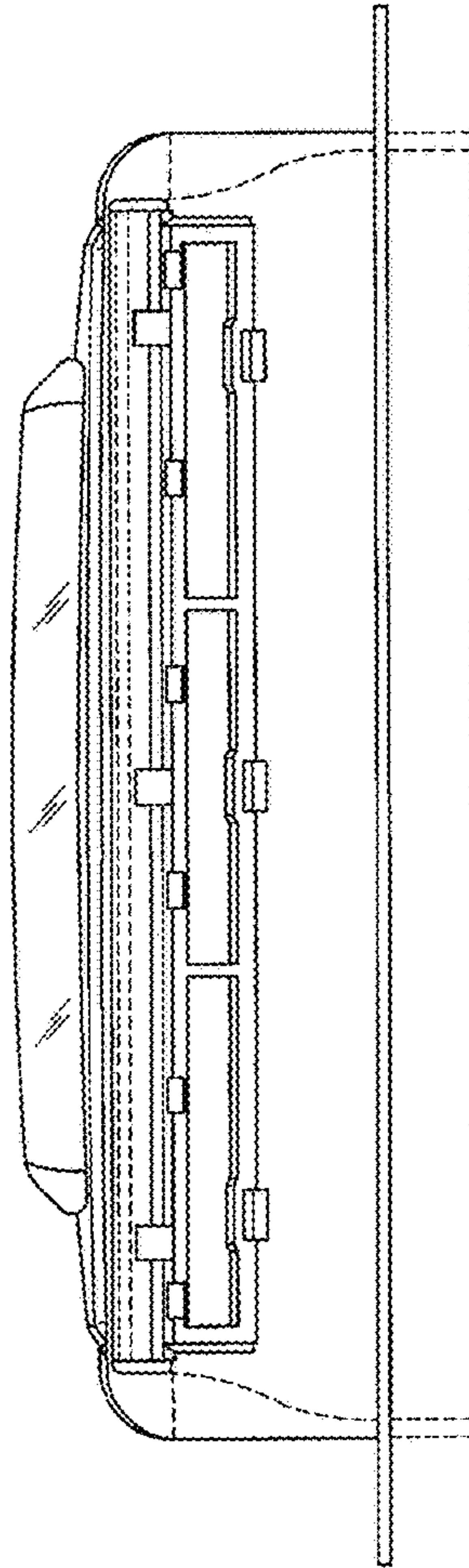


Fig. 4

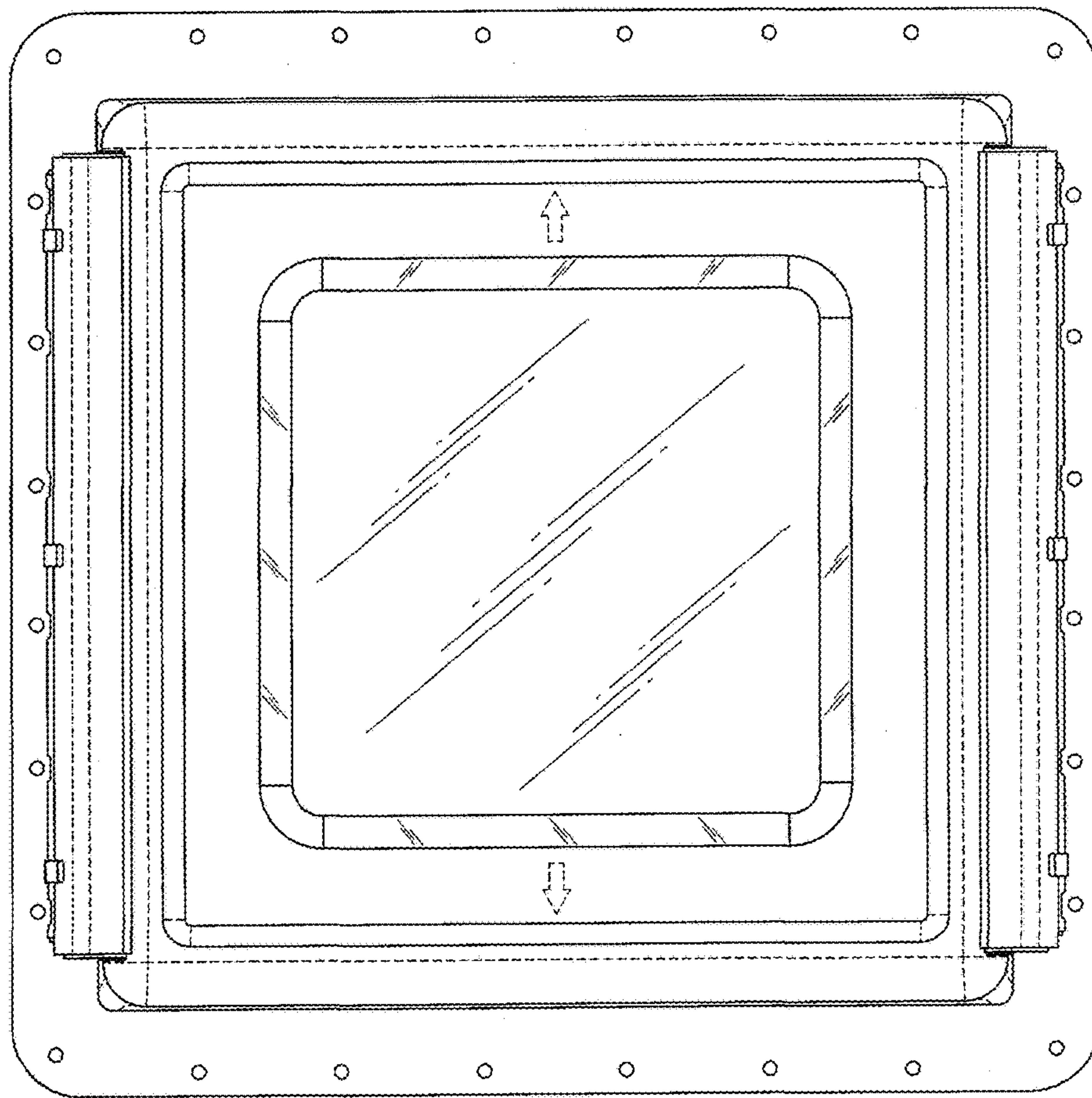


Fig. 5