



US00D782939S

(12) **United States Design Patent** (10) **Patent No.:** **US D782,939 S**
Allard et al. (45) **Date of Patent:** **** Apr. 4, 2017**

(54) **VENT HOUSING** 4,420,184 A * 12/1983 Kaltz B60J 7/0573
296/221
(71) Applicant: **DOMETIC SWEDEN AB**, Solna (SE) 4,615,263 A 10/1986 Titterud
4,630,029 A * 12/1986 Hayward B60Q 1/2611
296/218
(72) Inventors: **James Allard**, Davisburg, MI (US);
Mark L. Smith, Buchanan, MI (US);
Hari Sunkara, Elkhart, IN (US) 4,872,722 A 10/1989 Farmont
(Continued)

(73) Assignee: **Dometic Sweden AB**, Solna (SE)

(**) Term: **15 Years**

(21) Appl. No.: **29/557,270**

(22) Filed: **Mar. 8, 2016**

FOREIGN PATENT DOCUMENTS

AU 359397 12/2014
AU 359396 2/2015
(Continued)

OTHER PUBLICATIONS

U.S. Patent and Trademark Office, International Search Report for PCT/US2014/041566, Oct. 24, 2014.

Primary Examiner — Katrina A Betton
(74) *Attorney, Agent, or Firm* — Middleton Reutlinger

(57) **CLAIM**

The ornamental design for a vent housing, as shown and described.

DESCRIPTION

FIG. 1 is a rear perspective view of a design of the vent housing;
FIG. 2 is a front perspective view of the design of FIG. 1;
FIG. 3 is a front elevation view of the design of FIG. 1, with the rear elevation view of the design being a mirror image of FIG. 3;
FIG. 4 is a first side elevation view of the design of FIG. 1, with the second side elevation view of the design being a mirror image of FIG. 4; and,
FIG. 5 is a top plan view of the design of FIG. 1.
The broken line disclosure represents unclaimed portions of the vent housing in which the design is embodied.

Related U.S. Application Data

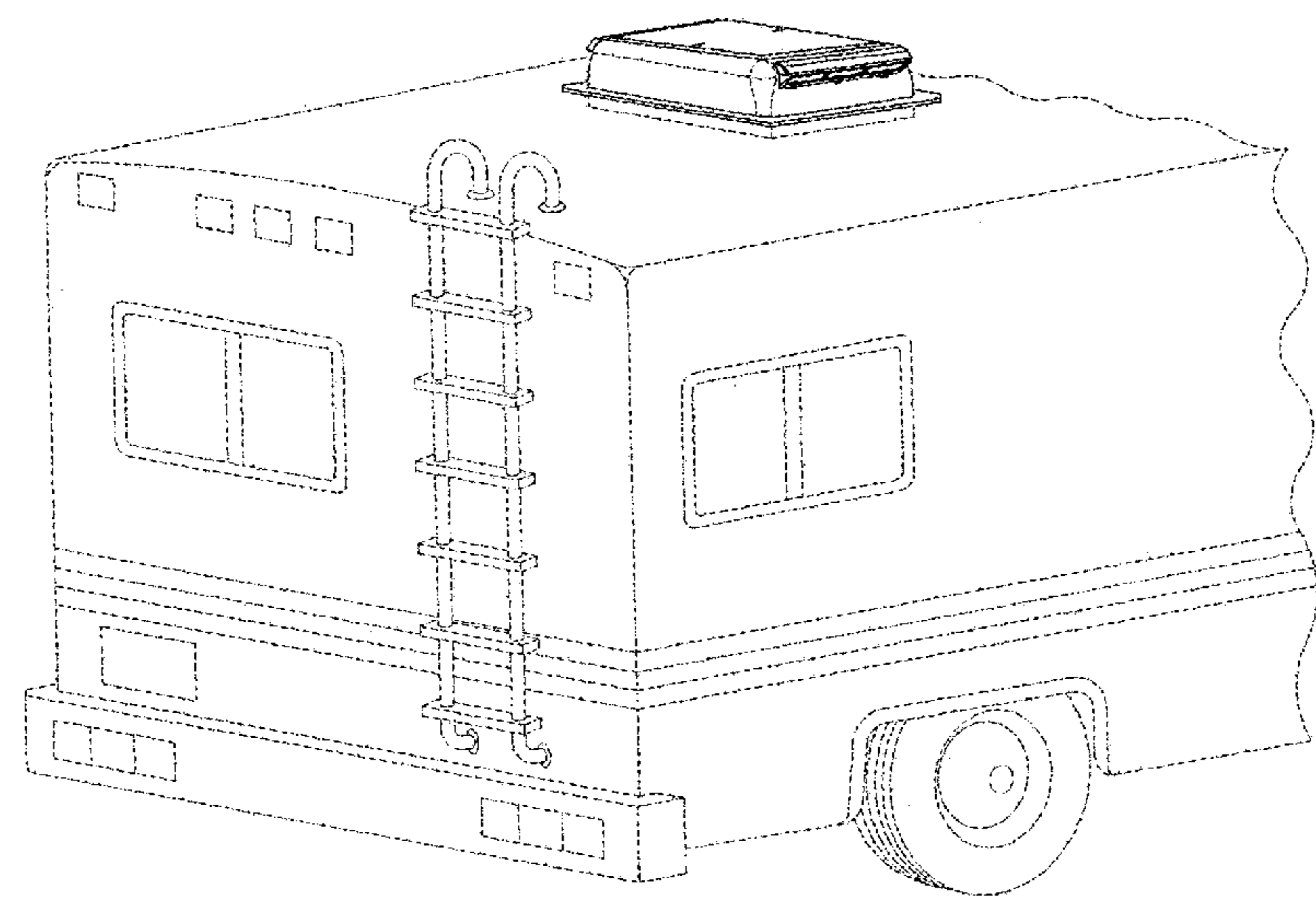
(62) Division of application No. 29/493,405, filed on Jun. 9, 2014.
(51) **LOC (10) Cl.** **12-10**
(52) **U.S. Cl.**
USPC **D12/106**
(58) **Field of Classification Search**
USPC D12/106, 100–105, 19, 219, 111–112;
D21/425, 435; D34/21–26, 12, 16–19
CPC B62D 35/02; B62D 35/00; A62B 3/005;
B60P 3/10; B60P 3/1033; E01F 15/14
See application file for complete search history.

(56) **References Cited**

U.S. PATENT DOCUMENTS

536,156 A 3/1895 Rice
3,016,952 A 1/1962 Shero
3,934,383 A 1/1976 Perry et al.
4,038,911 A 8/1977 Hart
4,395,939 A 8/1983 Hough et al.
4,412,404 A * 11/1983 Manning B60J 7/1642
114/201 R

1 Claim, 4 Drawing Sheets



(56)

References Cited

U.S. PATENT DOCUMENTS

4,929,019 A * 5/1990 Paakkonen B60J 7/1642
 296/216.02
 5,675,940 A * 10/1997 Bahar E04D 13/1475
 52/200
 5,797,648 A 8/1998 Fiegel et al.
 5,984,405 A 11/1999 Ciacci
 6,179,034 B1 1/2001 Fuss
 6,347,484 B1 2/2002 Swanger
 6,572,182 B2 * 6/2003 Lamparter B60J 7/1642
 296/216.02
 7,021,006 B2 4/2006 Farrar et al.
 7,422,274 B2 * 9/2008 Salz B60J 7/22
 296/217
 7,721,493 B2 * 5/2010 Skov E04D 3/32
 52/200
 7,731,574 B2 * 6/2010 Milks B60J 7/1642
 296/216.02
 D771,233 S * 11/2016 Smith D23/393
 2005/0003751 A1 1/2005 Thomas
 2010/0056035 A1 3/2010 Hua
 2015/0352924 A1 12/2015 Allard et al.

FOREIGN PATENT DOCUMENTS

CA 159763 11/2014
 CN 201430506186.9 12/2014
 EP 002591586 2/2015
 WO 2015191029 12/2015

* cited by examiner

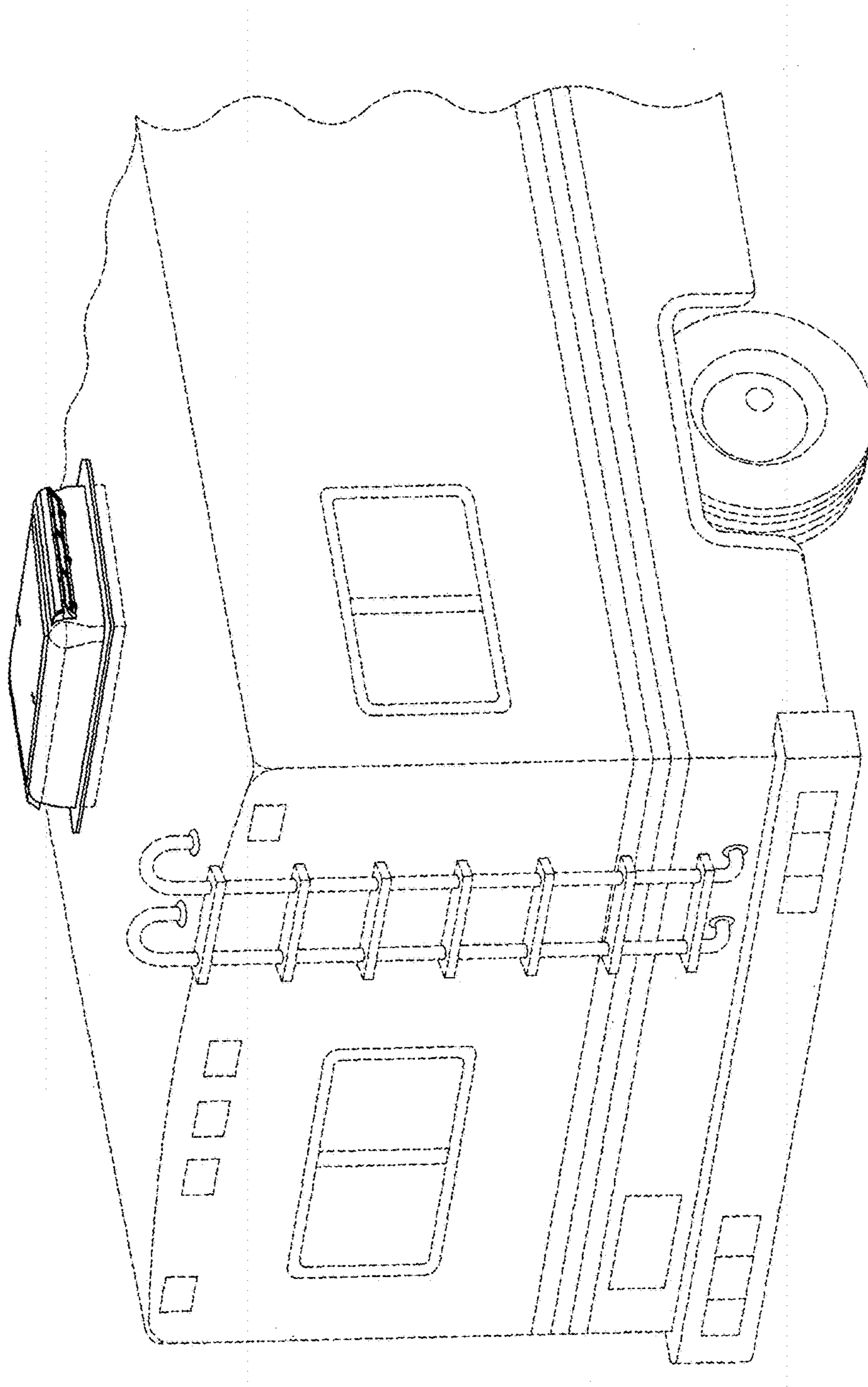


Fig. 1

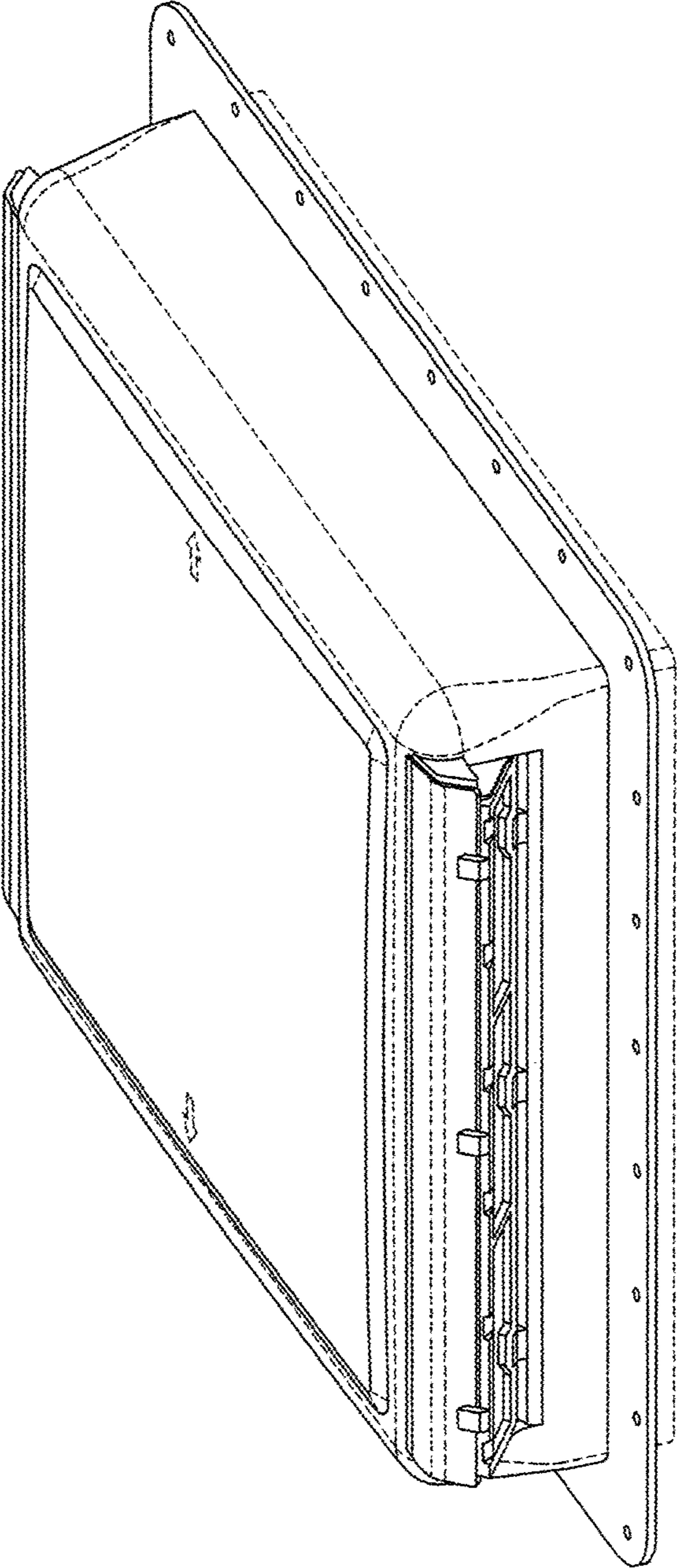


Fig. 2

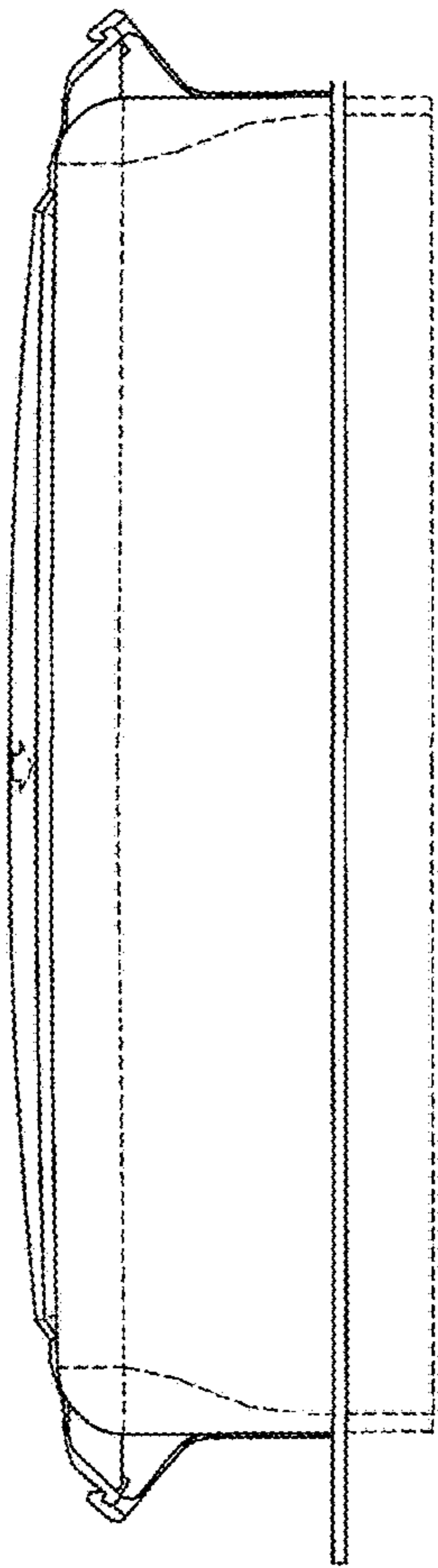


Fig. 3

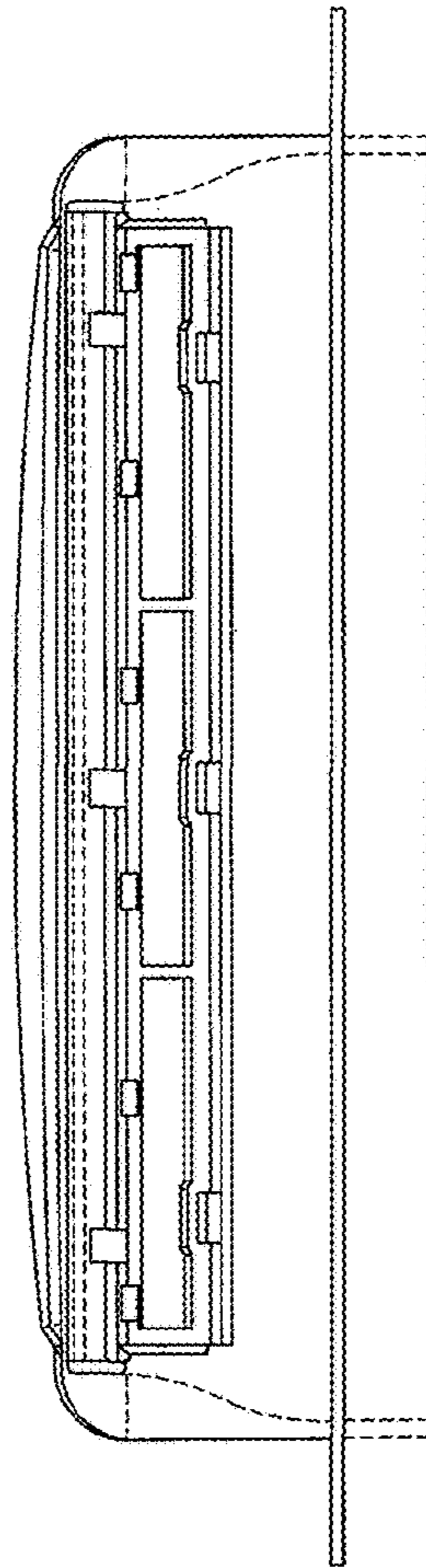


Fig. 4

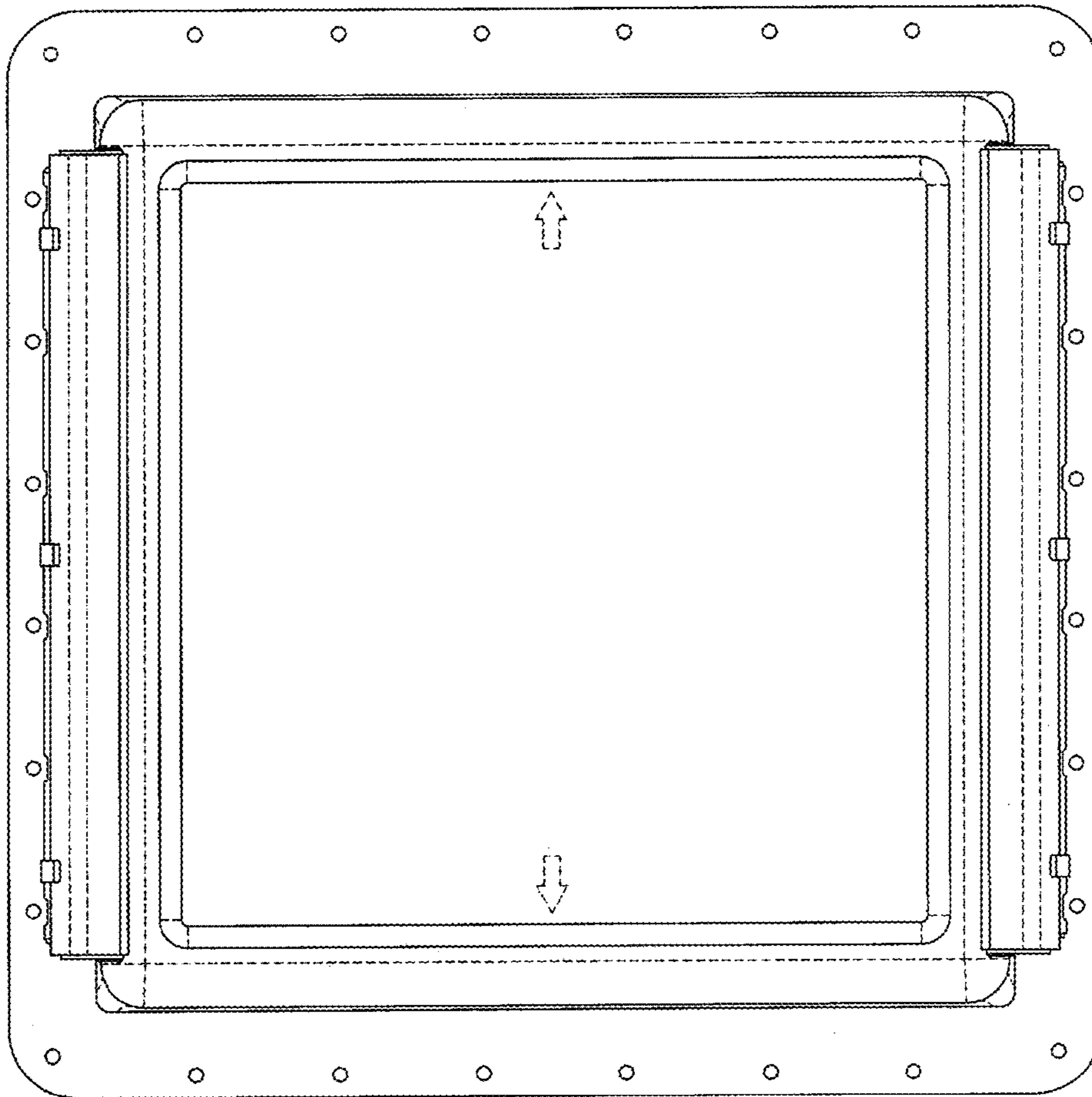


Fig. 5