



US00D782938S

(12) **United States Design Patent**
Cohen et al.

(10) **Patent No.:** **US D782,938 S**
(45) **Date of Patent:** **** Apr. 4, 2017**

(54) **PROMOTIONAL VEHICLE**

(71) Applicants: **Benjamin Cohen**, Brooklyn, NY (US);
David Hazan, Brooklyn, NY (US)

(72) Inventors: **Benjamin Cohen**, Brooklyn, NY (US);
David Hazan, Brooklyn, NY (US)

(73) Assignee: **Bobcar Media, LLC**, New York, NY
(US)

(**) Term: **15 Years**

(21) Appl. No.: **29/533,683**

(22) Filed: **Jul. 21, 2015**

Related U.S. Application Data

(63) Continuation of application No. 29/447,050, filed on Feb. 28, 2013, now Pat. No. Des. 736,675, which is a continuation of application No. 29/410,762, filed on Jan. 11, 2012, now Pat. No. Des. 678,823, which is a continuation of application No. 29/360,773, filed on Apr. 30, 2010, now Pat. No. Des. 652,353, which is a continuation-in-part of application No. 12/380,989, filed on Mar. 5, 2009, now Pat. No. 7,942,461, application No. 29/533,683, which is a continuation of application No. 14/244,601, filed on Apr. 3, 2014, now abandoned, which is a continuation of application No. 13/533,276, filed on Jun. 26, 2012, now Pat. No. 8,690,215, application No. 29/533,683, which is a continuation of application No. 14/337,727, filed on Jul. 22, 2014, now Pat. No. 9,481,283, which is a continuation of application No. 14/244,601, filed on Apr. 3, 2014, now abandoned,

(Continued)

(51) **LOC (10) Cl.** **12-08**

(52) **U.S. Cl.**
USPC **D12/93**

(58) **Field of Classification Search**

USPC D12/93, 96, 97, 99; D21/424, 434, 581;
180/89.16, 89.18, 89.19; 296/183.1, 21,
296/24.3, 168; 40/591, 603
CPC B60P 3/0255; B60P 3/0257; B62D 63/08;
G09F 15/0025; G09F 21/04; G06Q 30/02
See application file for complete search history.

(56) **References Cited**

U.S. PATENT DOCUMENTS

5,507,109 A * 4/1996 Rinzler G09F 15/0025
160/329
5,950,173 A * 9/1999 Perkowski G06Q 30/02
235/375

(Continued)

Primary Examiner — Melody N Brown

(74) *Attorney, Agent, or Firm* — Goldberg Cohen LLP

(57) **CLAIM**

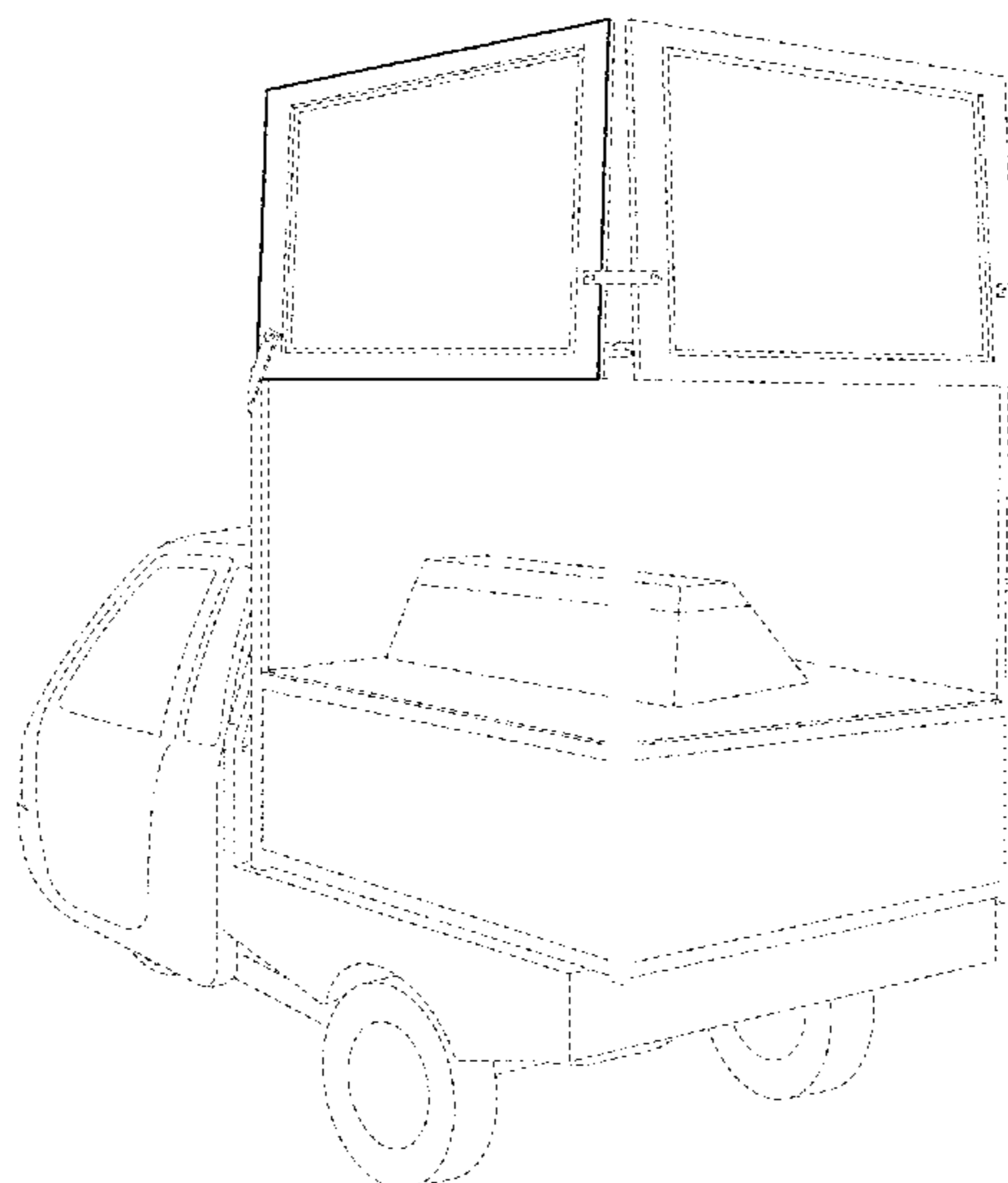
We claim the ornamental design for a promotional vehicle, as shown and described.

DESCRIPTION

FIG. 1 is a perspective view of the promotional vehicle of the present invention having panels in an open position; FIG. 2 is a front view of the promotional vehicle, having panels in an open position; FIG. 3 is a rear view of the promotional vehicle, having panels in an open position; FIG. 4 is a left side view of the promotional vehicle, having panels in an open position; FIG. 5 is a right side view of the promotional vehicle, having panels in an open position; and, FIG. 6 is a top view of the promotional vehicle, having panels in an open position.

The broken lines shown throughout the drawings views are for environmental and illustrative purposes only that form no part of the claimed design.

1 Claim, 5 Drawing Sheets



Related U.S. Application Data

said application No. 13/533,276 is a continuation-in-part of application No. 13/018,787, filed on Feb. 1, 2011, now Pat. No. 8,220,854, which is a continuation of application No. 12/380,989, filed on Mar. 5, 2009, now Pat. No. 7,942,461, and a continuation-in-part of application No. 29/364,594, filed on Jun. 25, 2010, now Pat. No. Des. 653,993, which is a continuation-in-part of application No. 29/360,773, filed on Apr. 30, 2010, now Pat. No. Des. 652,353, which is a continuation-in-part of application No. 12/380,989, filed on Mar. 5, 2009, now Pat. No. 7,942,461.

6,182,795	B1 *	2/2001	Boerer	B60P 3/0257 186/52
6,585,305	B2 *	7/2003	Nazginov	B60P 3/0255 296/21
7,444,773	B2 *	11/2008	Kolodziejczak, Sr. .	G09F 21/04 108/44
7,621,576	B2 *	11/2009	Cote	B60P 3/0255 296/24.3
D614,999	S *	5/2010	Schneider	D12/93
7,942,461	B2 *	5/2011	Cohen	G09F 21/04 296/21
D652,353	S *	1/2012	Cohen	D12/93
D653,594	S *	2/2012	Frank	D12/176
8,220,854	B2 *	7/2012	Cohen	G09F 21/04 296/168
D678,823	S *	3/2013	Cohen	D12/93
D736,675	S *	8/2015	Cohen	D12/93

(56)

References Cited

U.S. PATENT DOCUMENTS

6,036,250	A *	3/2000	Glatter	B62D 63/08 296/181.5
D426,493	S *	6/2000	Mertins	D12/93

* cited by examiner

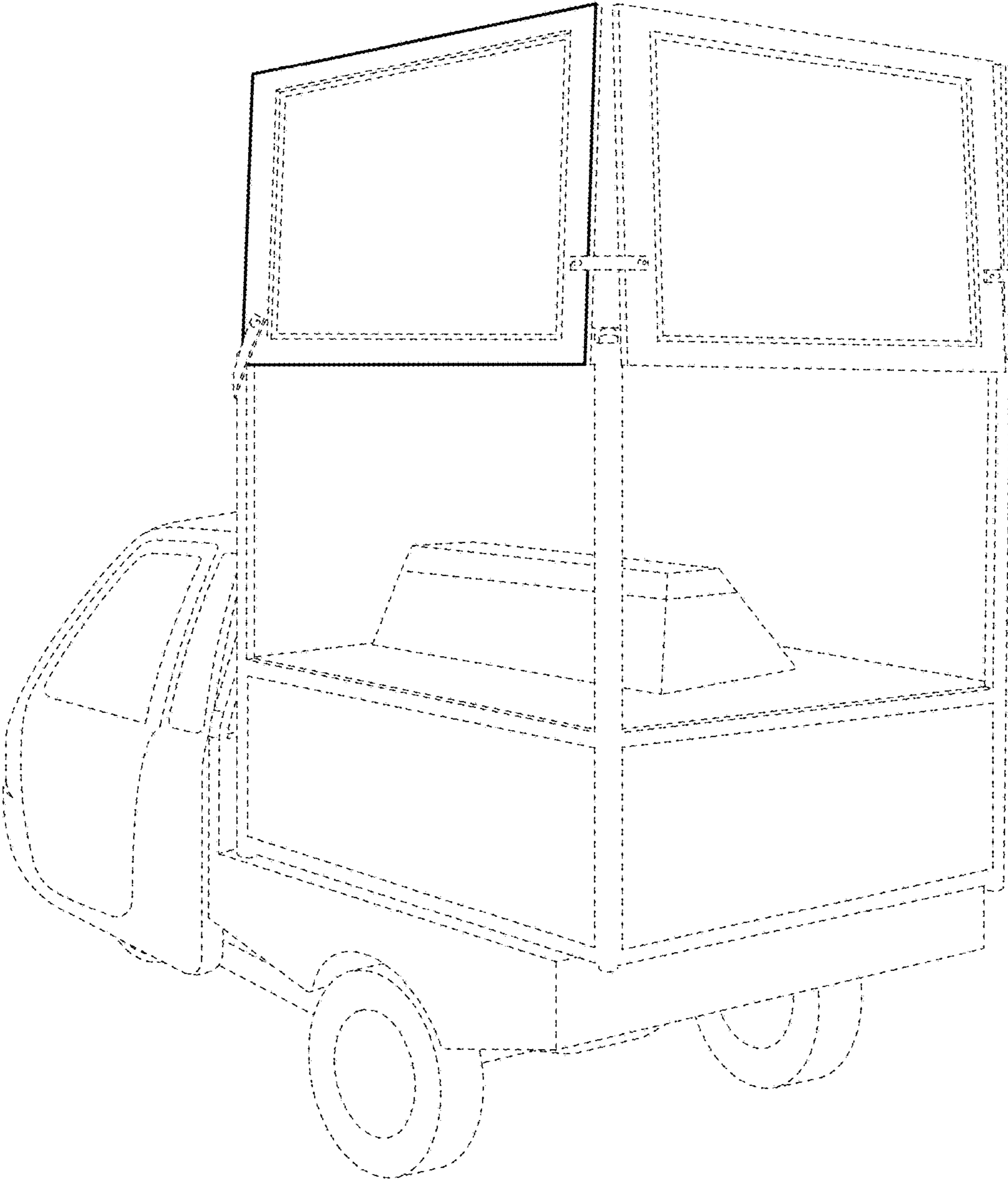


FIG. 1

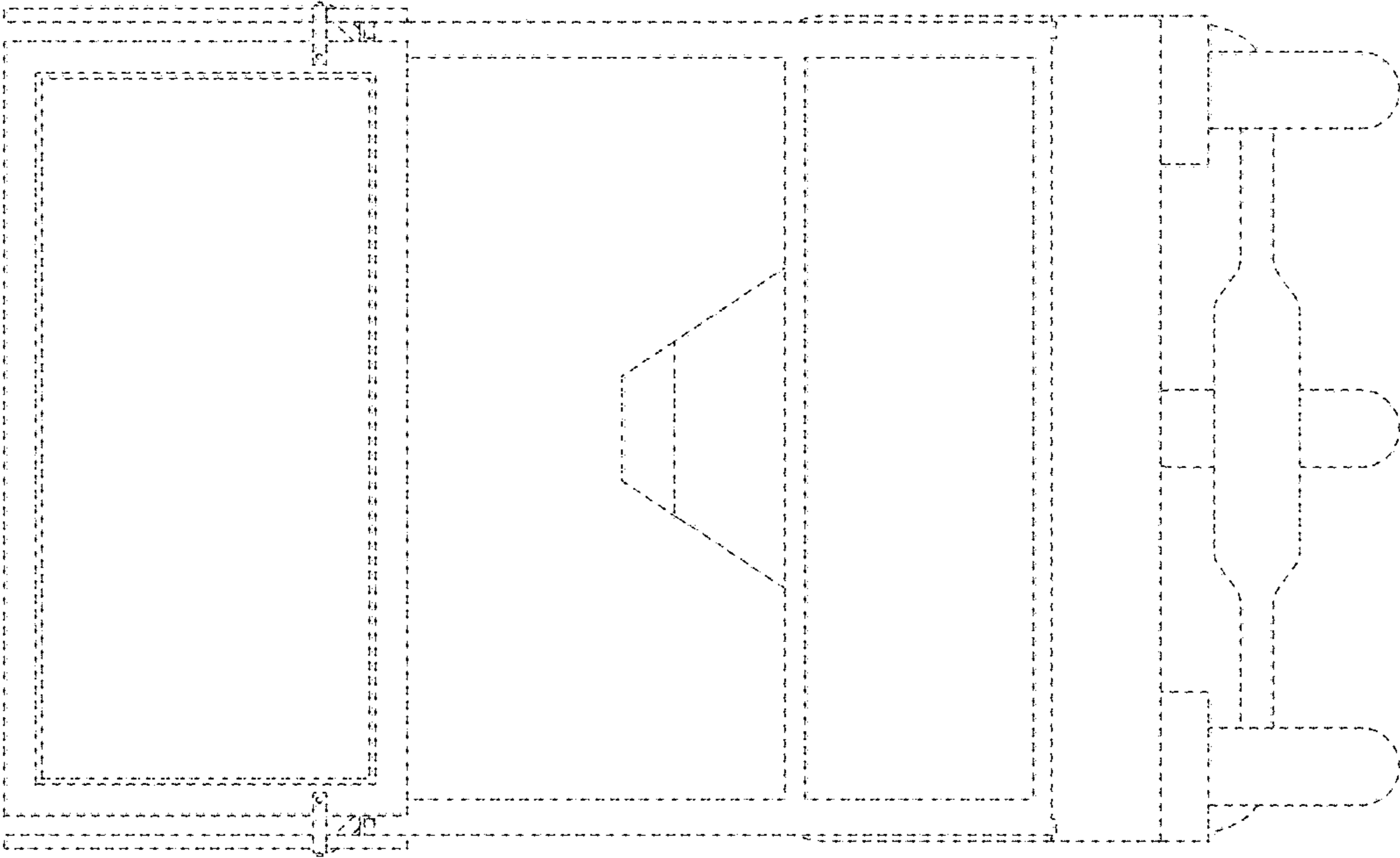


FIG. 3

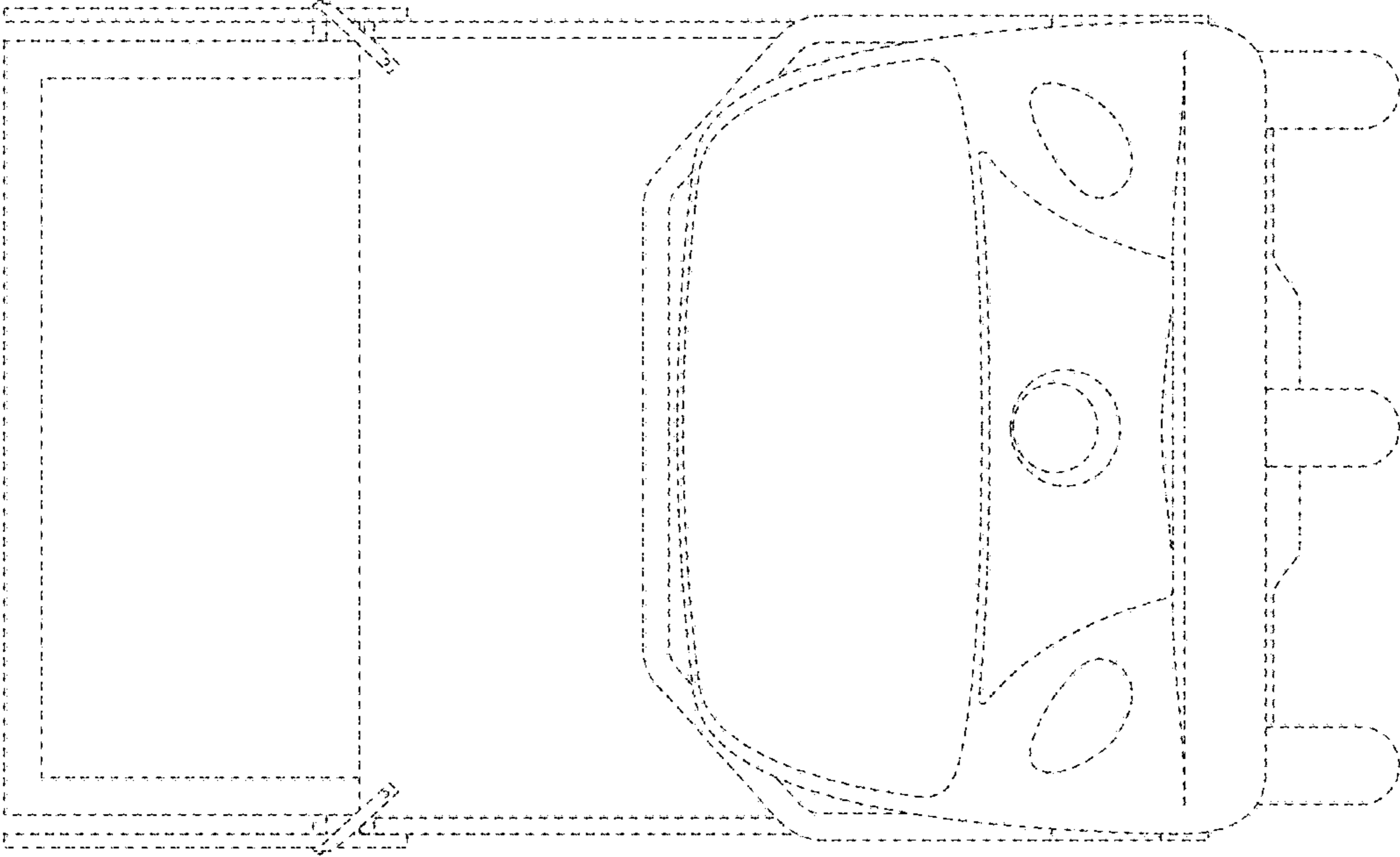


FIG. 2

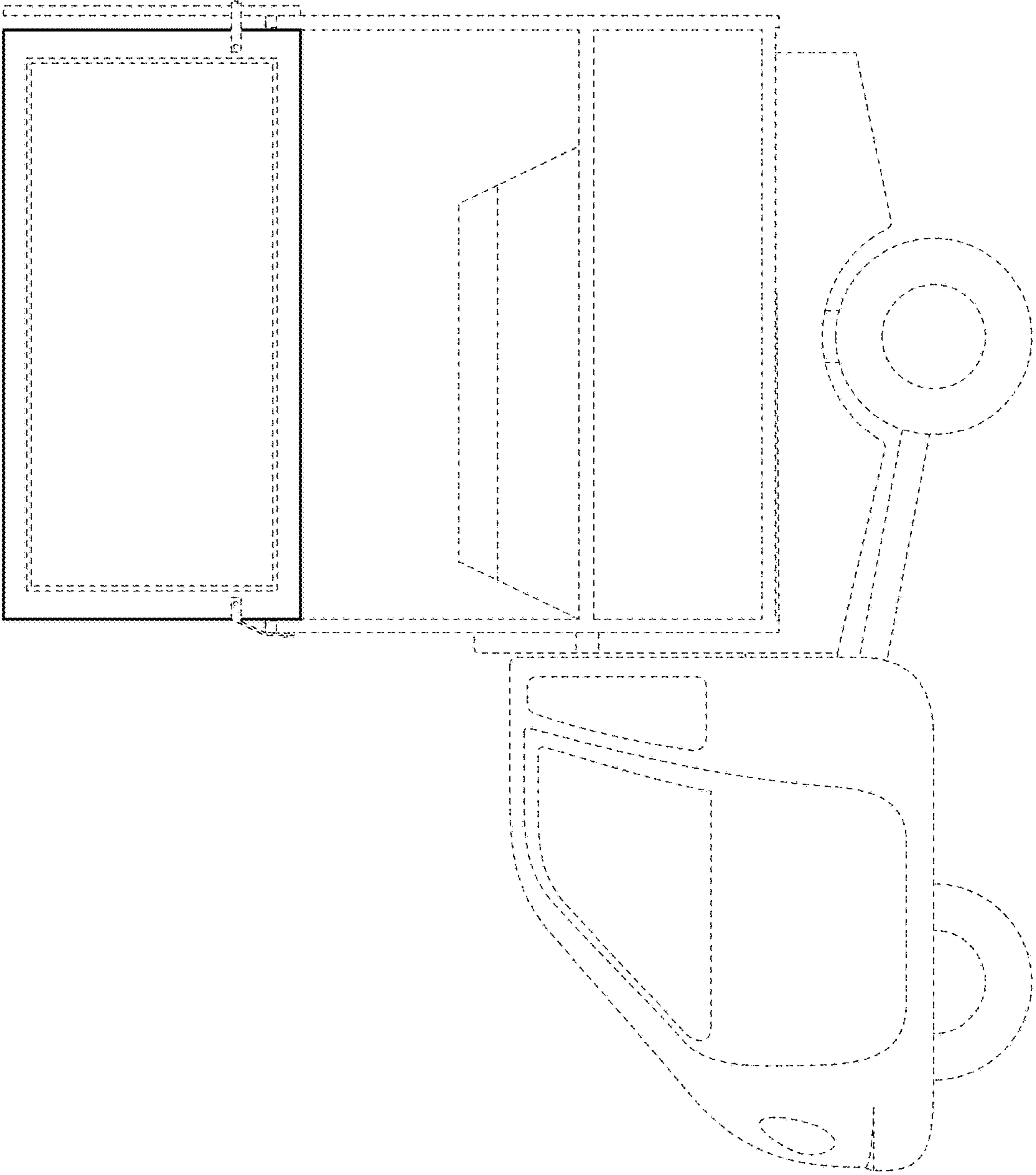


FIG. 4

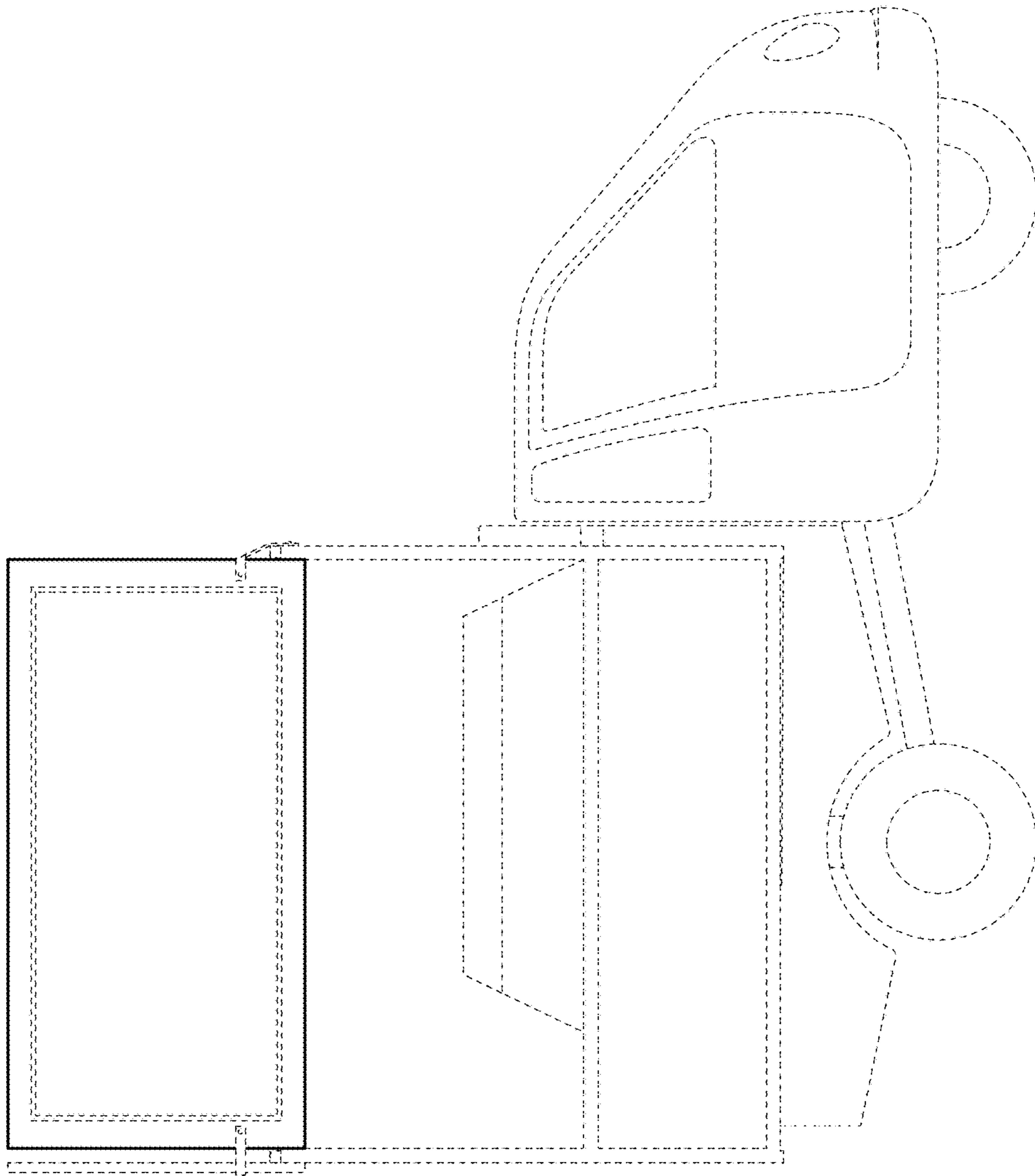


FIG. 5

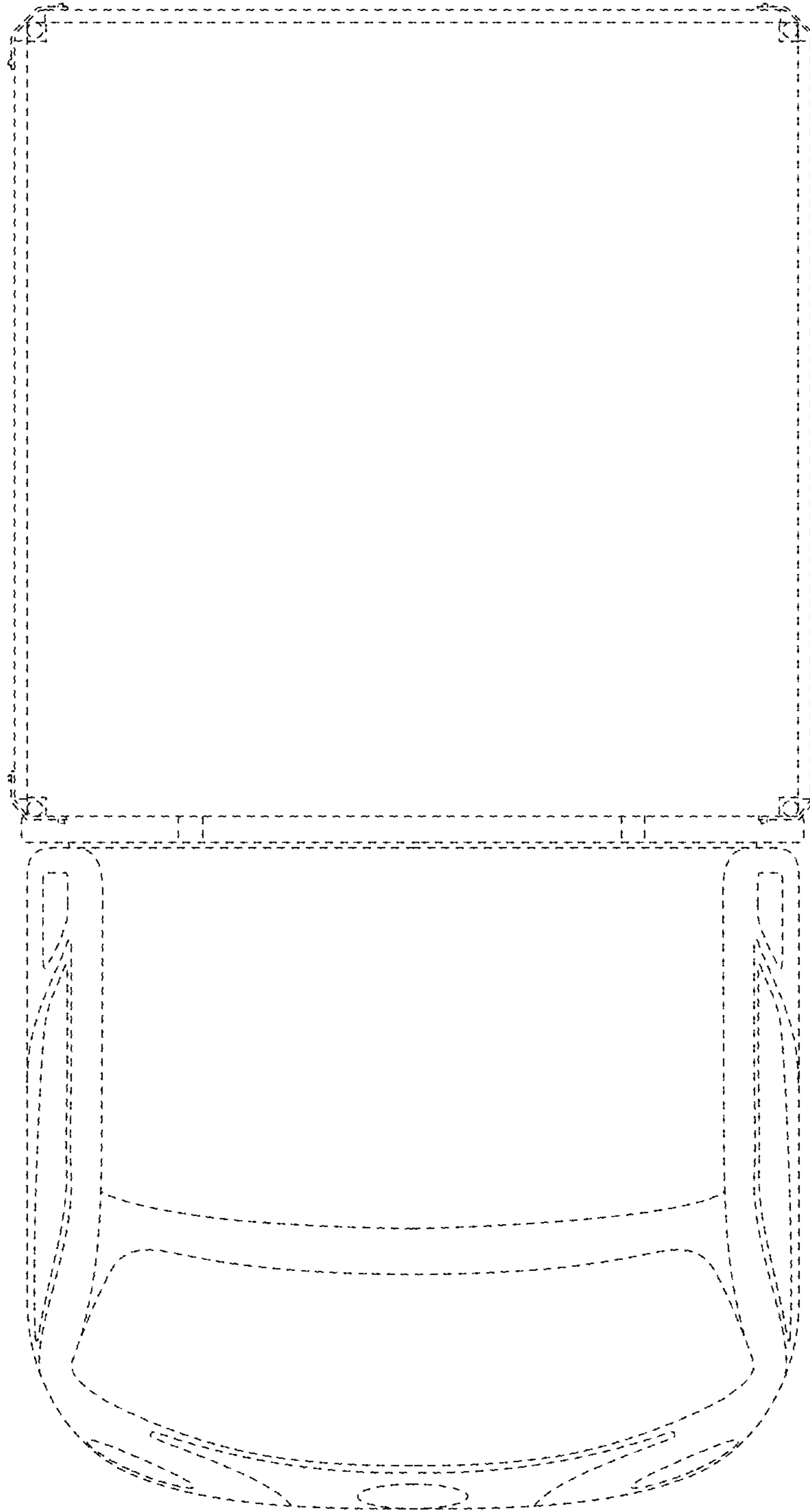


FIG. 6