



US00D782933S

(12) **United States Design Patent**
Goltche

(10) **Patent No.:** **US D782,933 S**

(45) **Date of Patent:** **** Apr. 4, 2017**

(54) **LIGHT BAR**

(71) Applicant: **Yehuda Goltche**, Great Neck, NY (US)

(72) Inventor: **Yehuda Goltche**, Great Neck, NY (US)

(**) Term: **15 Years**

(21) Appl. No.: **29/559,208**

(22) Filed: **Mar. 25, 2016**

(51) **LOC (10) Cl.** **10-05**

(52) **U.S. Cl.**
USPC **D10/114.4**

(58) **Field of Classification Search**
USPC D26/72, 76, 80, 90, 107, 118, 120;
D10/114.4
CPC ... F21S 2/005; F21S 4/28; F21S 10/06; F21V
21/0832; Y10S 362/806; B60Q 1/52;
B60Q 1/26; B60Q 1/2611
See application file for complete search history.

(56) **References Cited**

U.S. PATENT DOCUMENTS

D476,253 S *	6/2003	Stein	D10/114.4
D602,391 S *	10/2009	Stein	D10/114.4
7,854,531 B1 *	12/2010	Lyons	B60Q 1/2611 362/217.01
D632,199 S *	2/2011	Jacobs	D10/114.4
D658,526 S *	5/2012	Shin	D10/114.4
D682,135 S *	5/2013	Grote, Jr.	D10/114.4
D700,098 S *	2/2014	Deyaf	D10/114.4
D722,718 S *	2/2015	Chen	D26/72
D751,444 S *	3/2016	Goltche	D10/114.4
D751,445 S *	3/2016	Goltche	D10/114.4
2009/0116257 A1 *	5/2009	Rosemeyer	B60Q 1/2611 362/493

2010/0085181 A1 *	4/2010	Brooking	B60Q 1/2611 340/468
2011/0254424 A1 *	10/2011	Kuo	B60Q 1/2611 313/46
2012/0099338 A1 *	4/2012	Yu	B60Q 1/2611 362/543

* cited by examiner

Primary Examiner — Clare E Heflin

(74) *Attorney, Agent, or Firm* — Dunlap Bennett & Ludwig PLLC

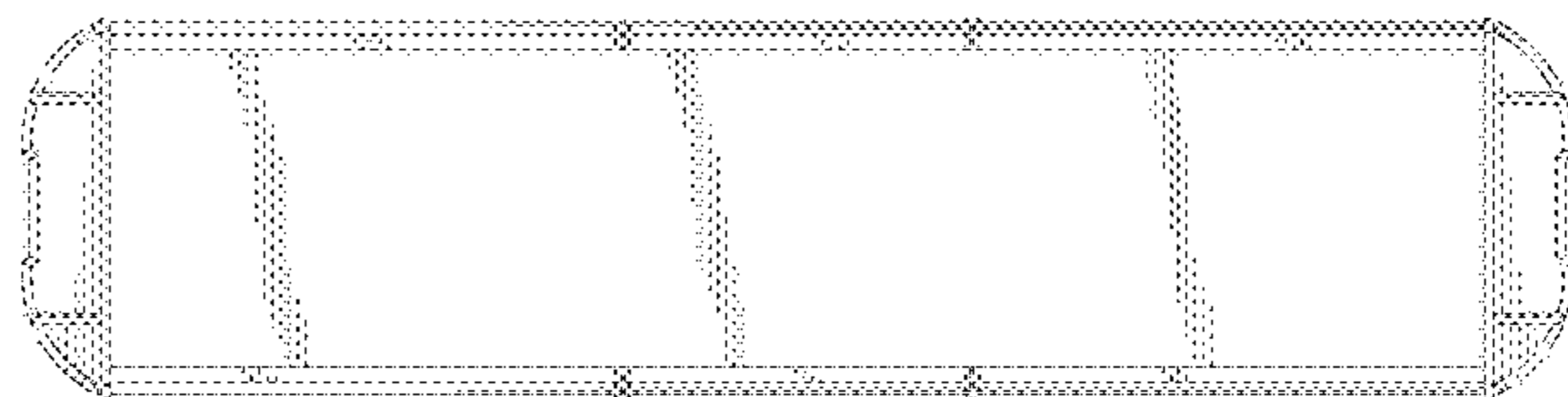
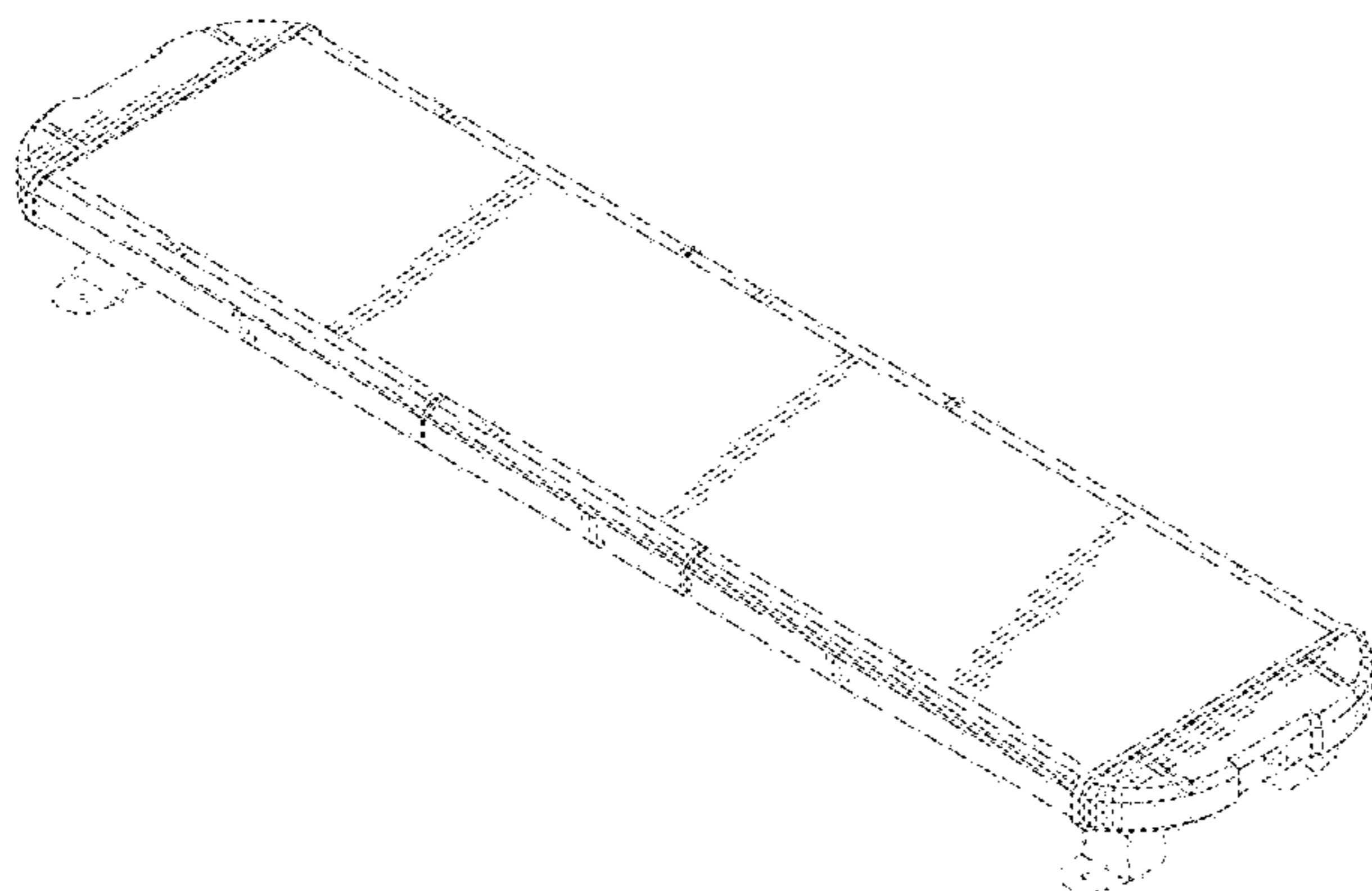
(57) **CLAIM**

The ornamental design for a light bar, as shown and described.

DESCRIPTION

FIG. 1 is a top front perspective view of a first embodiment of a light bar;
 FIG. 2 is a top plan view of FIG. 1;
 FIG. 3 is a bottom plan view of FIG. 1;
 FIG. 4 is a front elevation view of FIG. 1, the rear elevation being a mirror image thereof;
 FIG. 5 is a right side elevation view of FIG. 1, the left side elevation being a mirror image thereof;
 FIG. 6 is a top front perspective view of a second embodiment of the light bar;
 FIG. 7 is a top plan view of FIG. 6;
 FIG. 8 is a bottom plan view of FIG. 6;
 FIG. 9 is a front elevation view of FIG. 6, the rear elevation being a mirror image thereof; and,
 FIG. 10 is a right side elevation view of FIG. 6, the left side elevation being a mirror image thereof.
 The evenly-spaced broken lines shown in the drawings depict portions of the light bar that form no part of the claimed design.
 The light bar is shown with symbolic breaks in its length. The appearance of any portion of the article between the break lines forms not part of the claimed design.

1 Claim, 6 Drawing Sheets



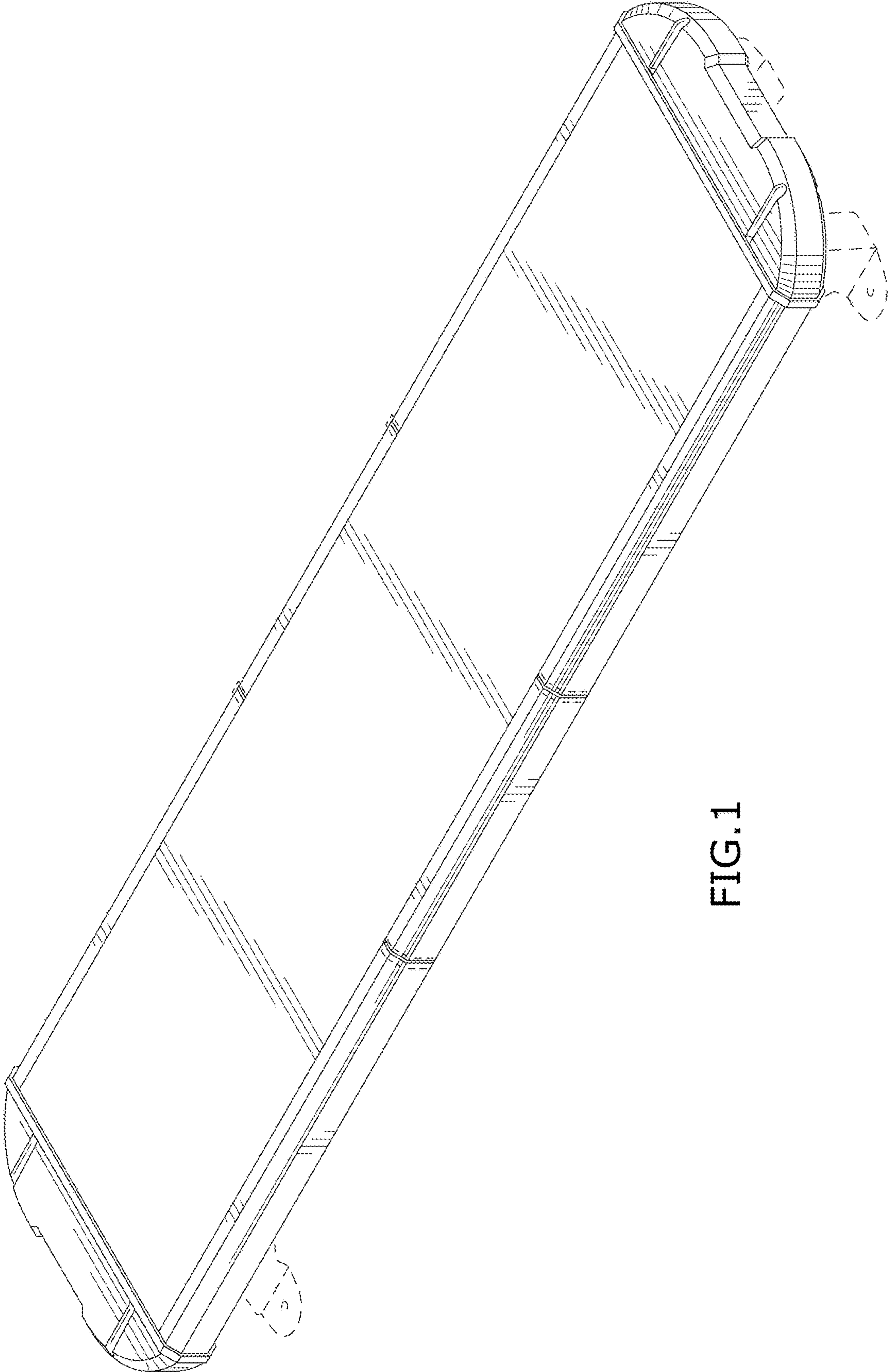


FIG.1

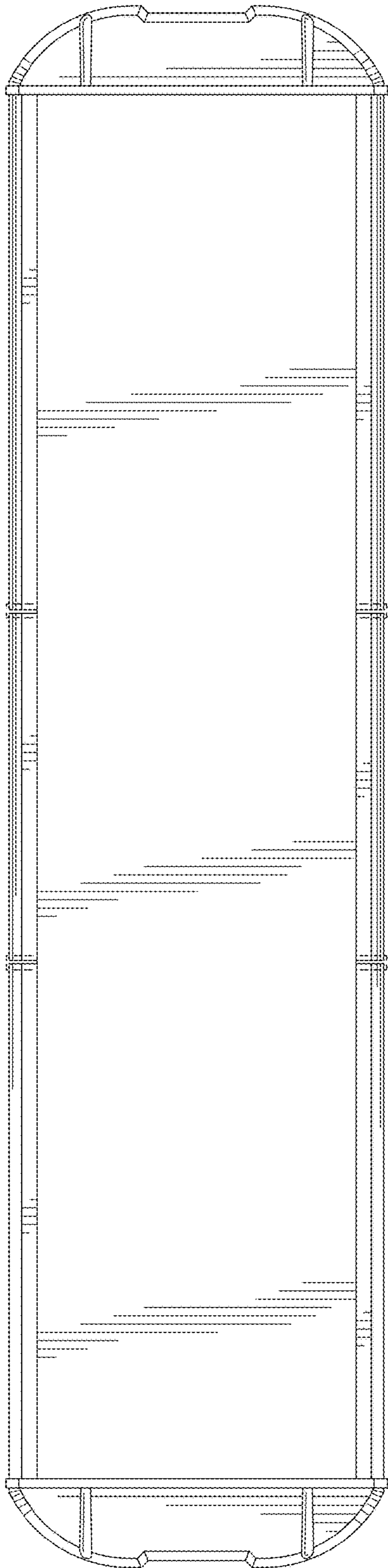


FIG. 2

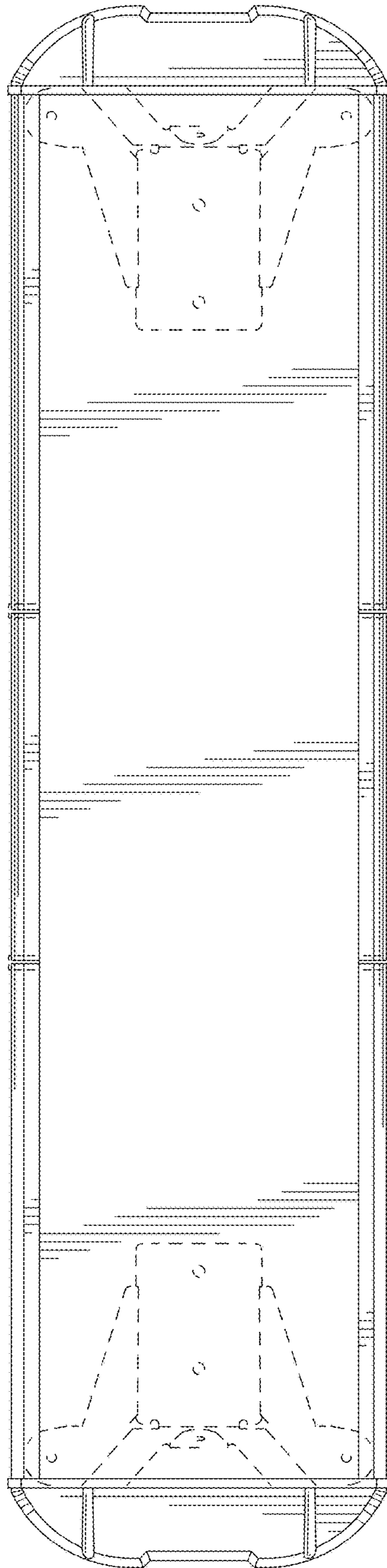


FIG. 3

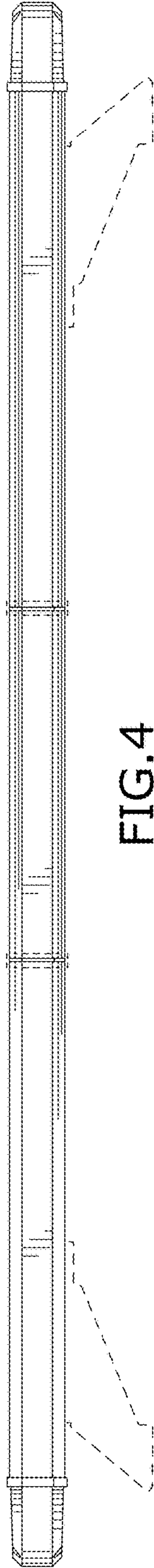


FIG. 4

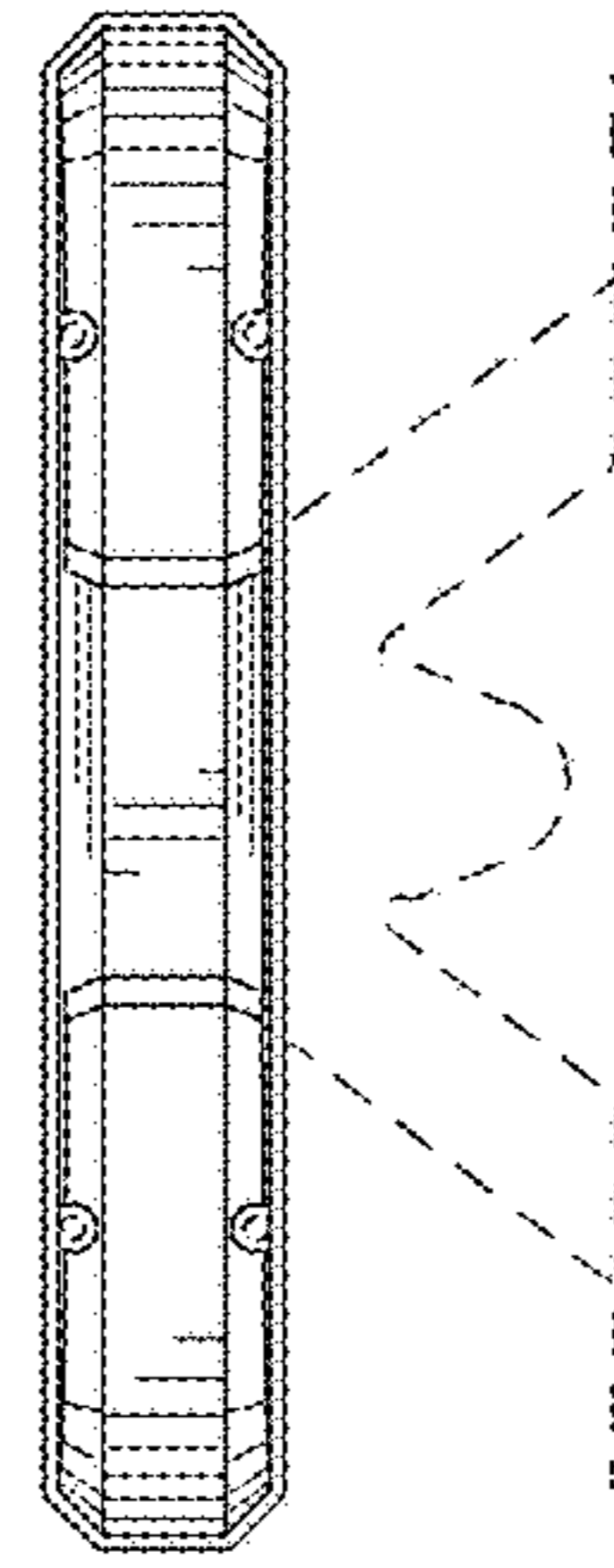


FIG. 5

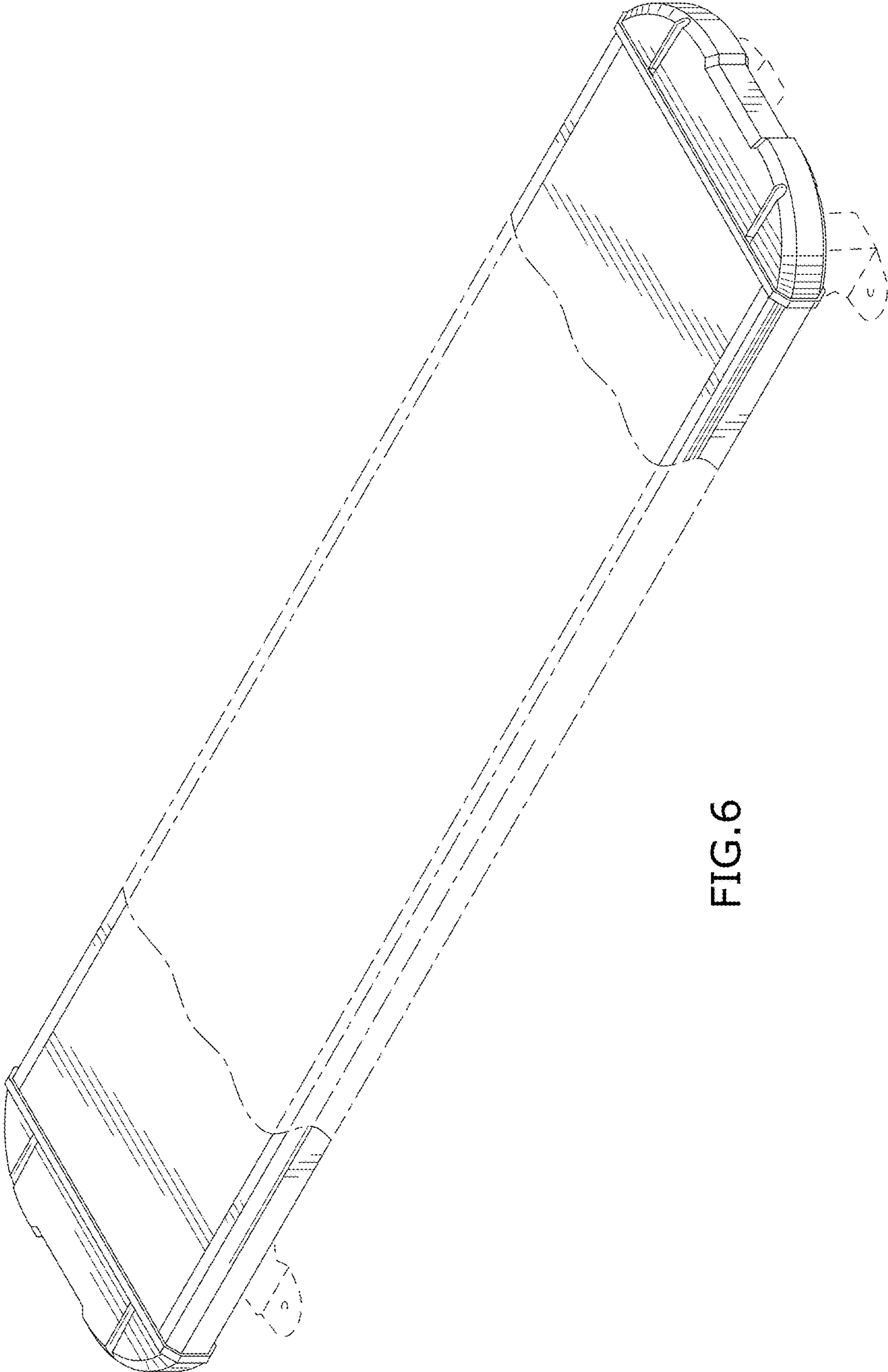


FIG. 6

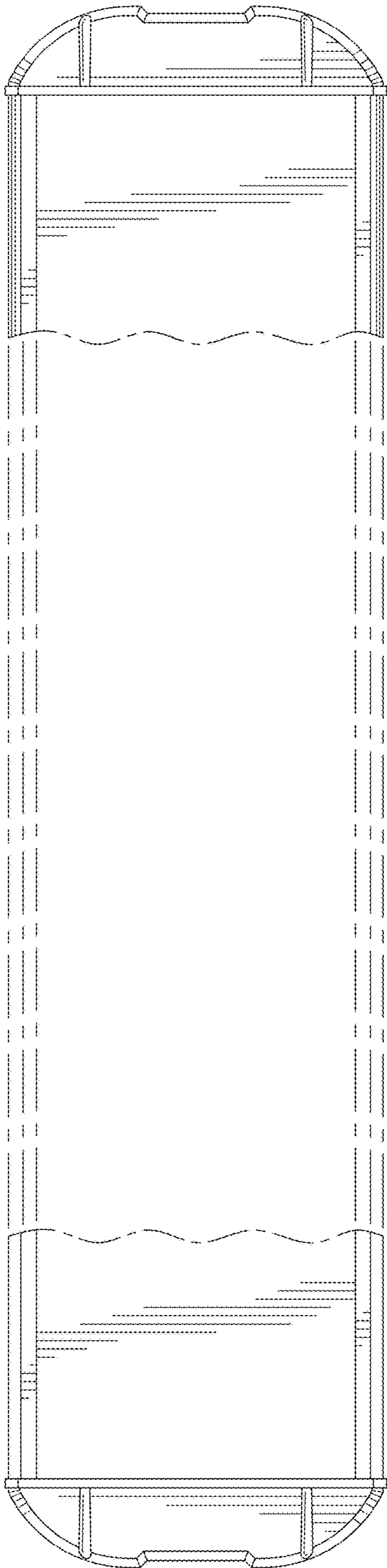


FIG. 7

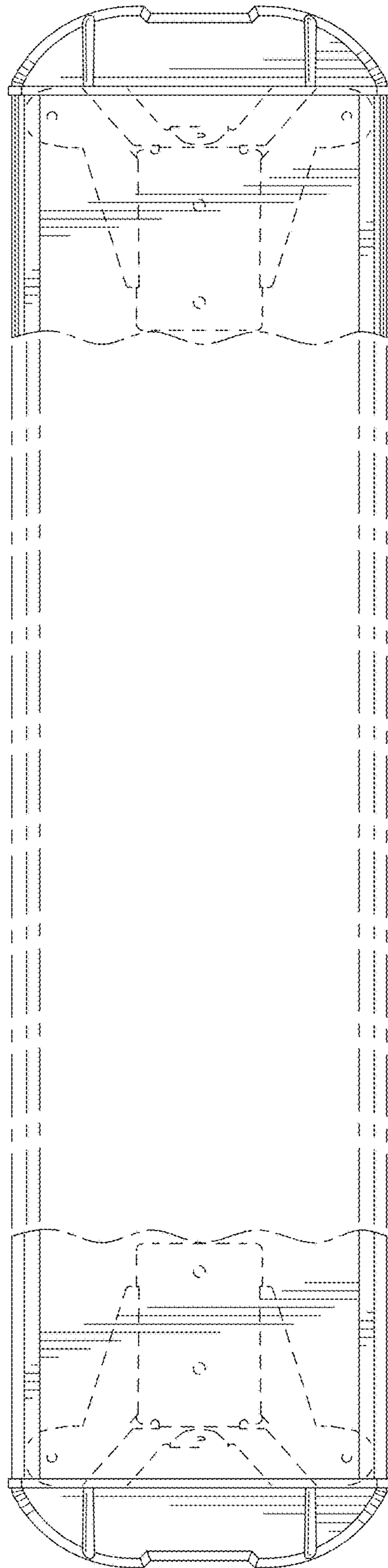


FIG. 8



FIG. 9

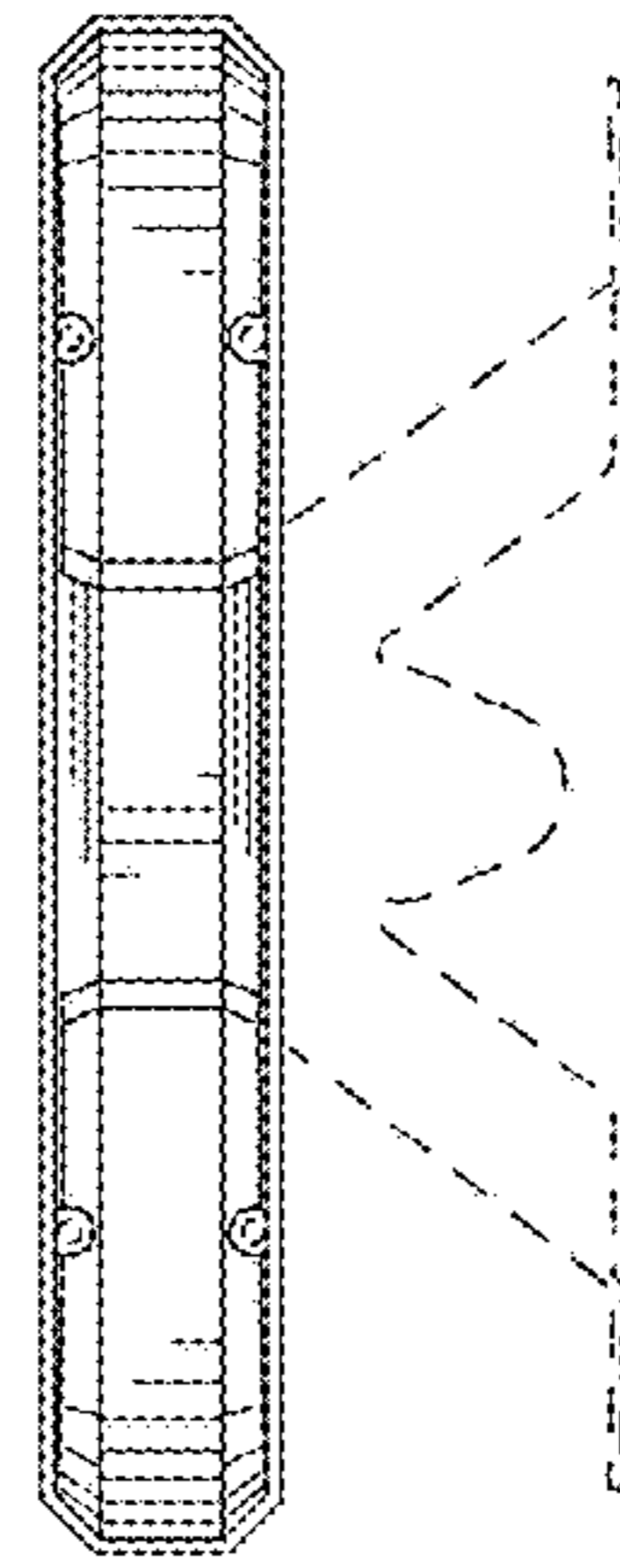


FIG. 10