



US00D782932S

(12) **United States Design Patent**  
**Tohikian**

(10) **Patent No.:** **US D782,932 S**

(45) **Date of Patent:** **\*\* Apr. 4, 2017**

(54) **ILLUMINATED ROADSIDE BEACON**

(71) Applicant: **Gayane Tohikian**, Glendale, CA (US)

(72) Inventor: **Gayane Tohikian**, Glendale, CA (US)

(\*\*) Term: **15 Years**

(21) Appl. No.: **29/551,487**

(22) Filed: **Jan. 13, 2016**

(51) **LOC (10) Cl.** ..... **10-05**

(52) **U.S. Cl.**  
USPC ..... **D10/113.4**

(58) **Field of Classification Search**  
USPC ..... D10/109.1, 109.2, 113.4, 114.1, 114.9,  
D10/118, 121  
CPC .... G08G 1/0116; G08G 1/095; G08G 1/0145;  
G08G 1/166; G08G 1/09; G08G  
1/096783; B60Q 1/08; B60Q 1/52; B60Q  
2300/45; G09F 13/16; E01F 9/654; E01F  
9/688

See application file for complete search history.

(56) **References Cited**

**U.S. PATENT DOCUMENTS**

- 2,483,734 A \* 10/1949 Neal ..... E01F 9/612  
116/209
- 2,808,803 A \* 10/1957 Weig ..... E01F 9/654  
116/63 C
- 4,426,801 A \* 1/1984 Gates ..... E01F 9/654  
40/610
- 4,548,379 A \* 10/1985 Seely ..... G09F 7/22  
248/160
- 4,805,550 A \* 2/1989 Raczkowski ..... B60Q 7/005  
116/63 T

- 5,199,375 A \* 4/1993 Johson ..... E01F 9/654  
116/209
- D514,009 S \* 1/2006 Parr ..... D10/113.2
- D583,694 S \* 12/2008 Huang ..... D10/113.4
- 2004/0107619 A1 \* 6/2004 Perelli ..... G09F 15/0025  
40/610
- 2015/0114281 A1 \* 4/2015 Bartuli ..... B60Q 7/005  
116/63 T

\* cited by examiner

*Primary Examiner* — George D Kirschbaum

*Assistant Examiner* — Joseph Kukella

(74) *Attorney, Agent, or Firm* — Russ Weinzimmer & Associates, PC

(57) **CLAIM**

The ornamental design for an illuminated roadside beacon, as shown and described.

**DESCRIPTION**

FIG. 1 is a front perspective view of illuminated roadside beacon.

FIG. 2 is a bottom perspective view of the illuminated roadside beacon.

FIG. 3 is a side view of the illuminated roadside beacon.

FIG. 4 is a side view of the illuminated roadside beacon as seen from the opposite side from the view of FIG. 3.

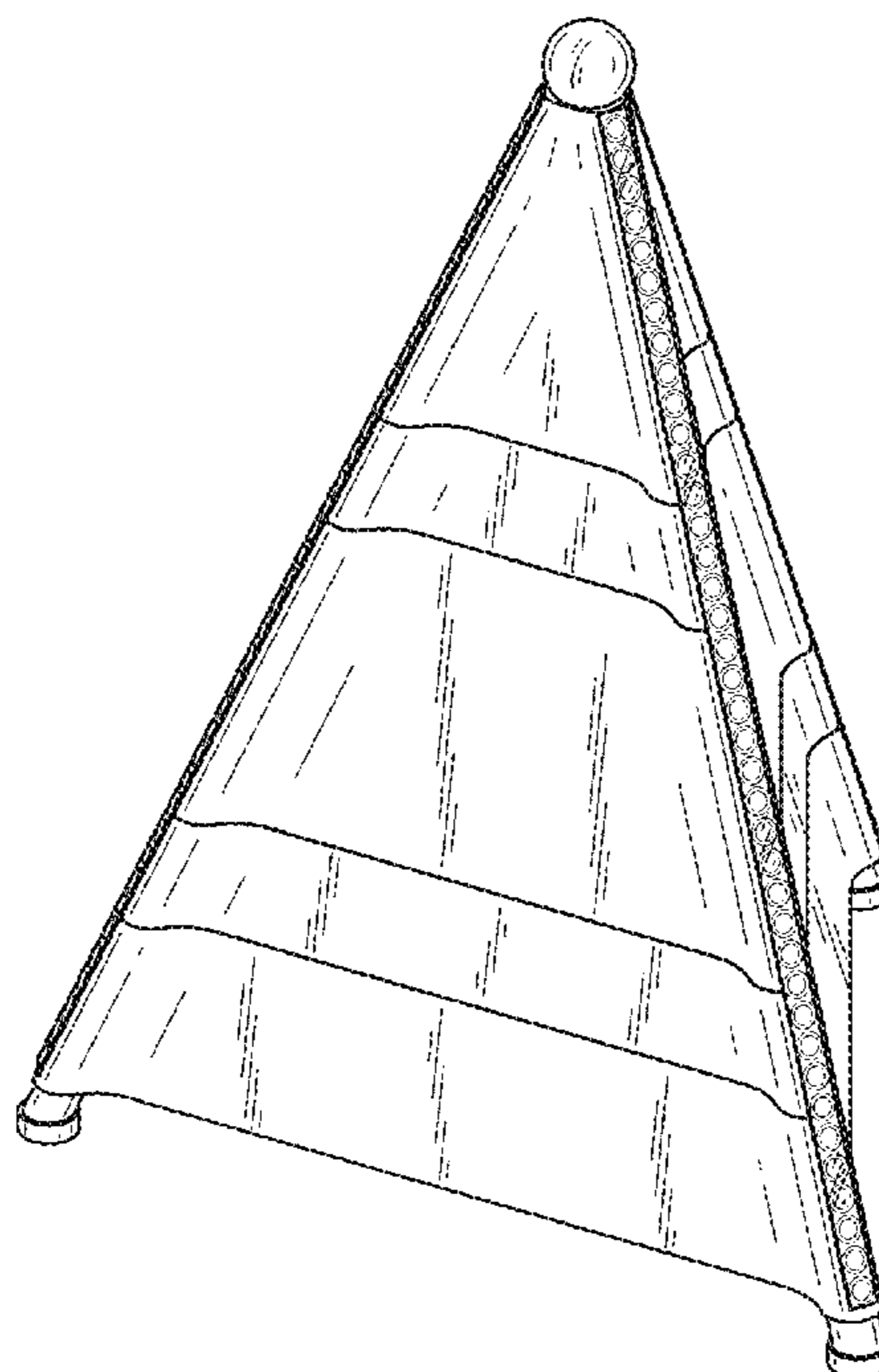
FIG. 5 is a perspective side view of the second side of the illuminated roadside beacon.

FIG. 6 is a perspective side view of the third side of the illuminated roadside beacon.

FIG. 7 is a top view of the illuminated roadside beacon; and, FIG. 8 is a bottom view of the illuminated roadside beacon.

In the drawings, the broken lines depict environmental subject matter only and form no part of the claimed design.

**1 Claim, 4 Drawing Sheets**



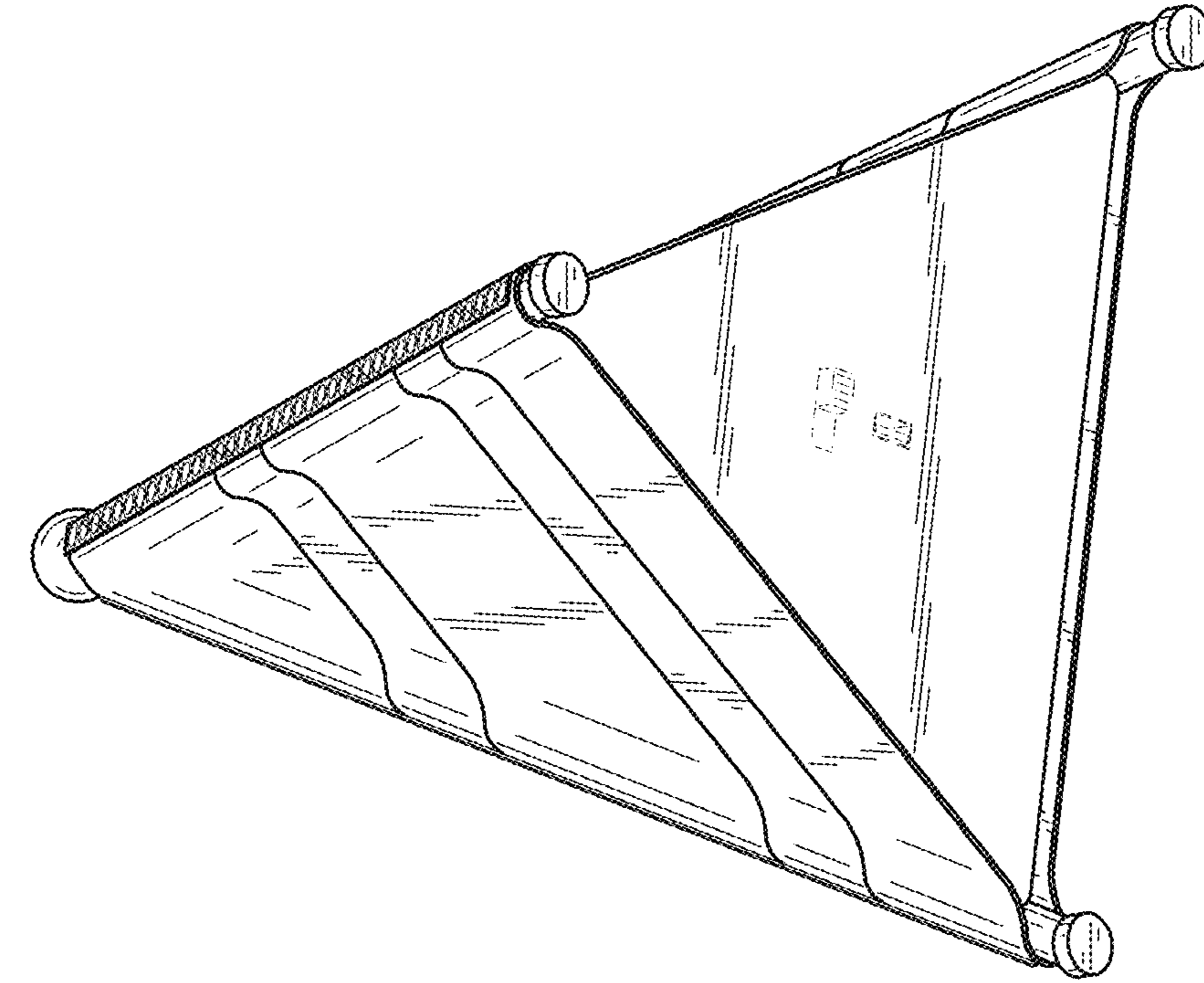


FIG. 2

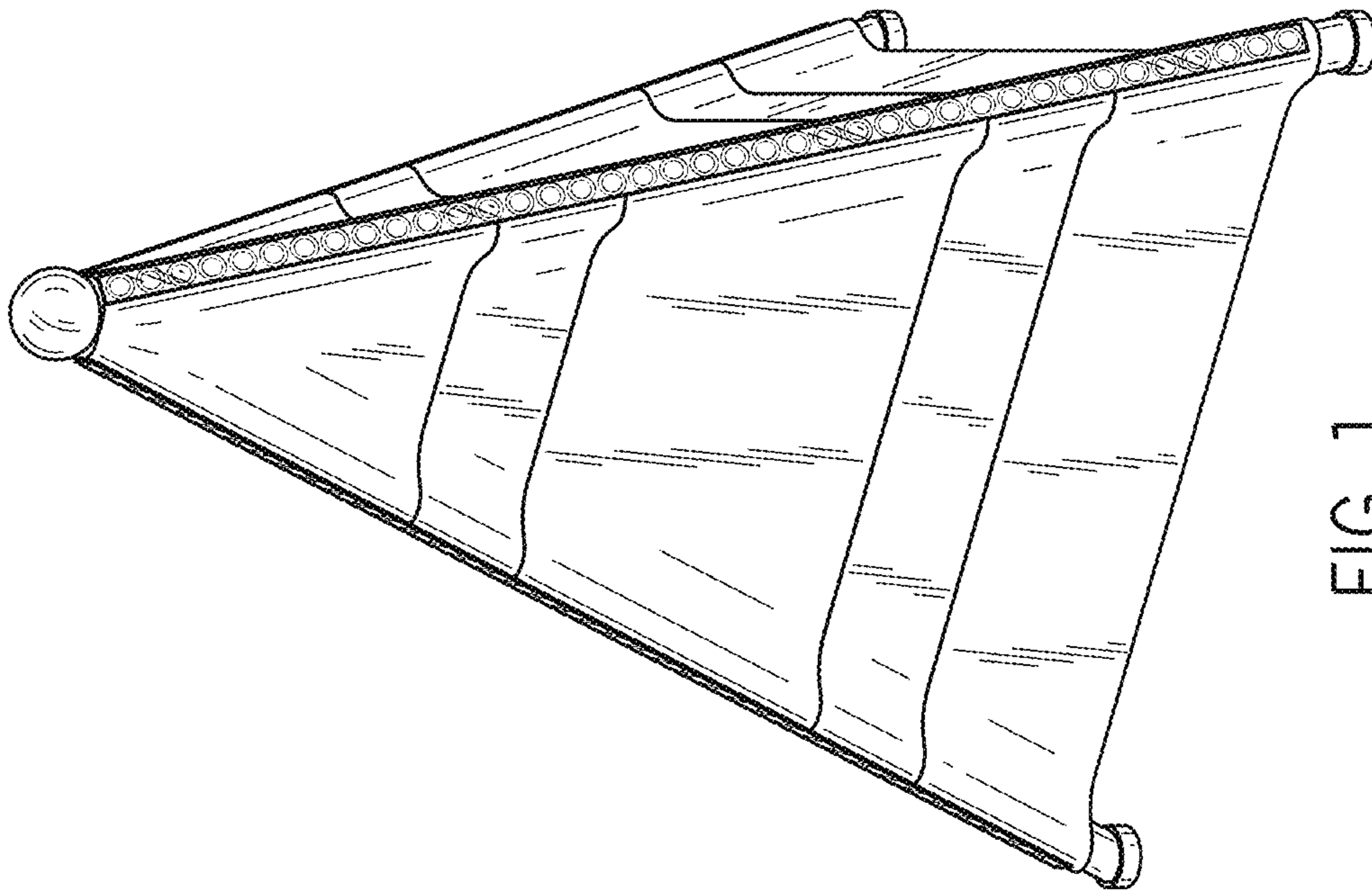


FIG. 1

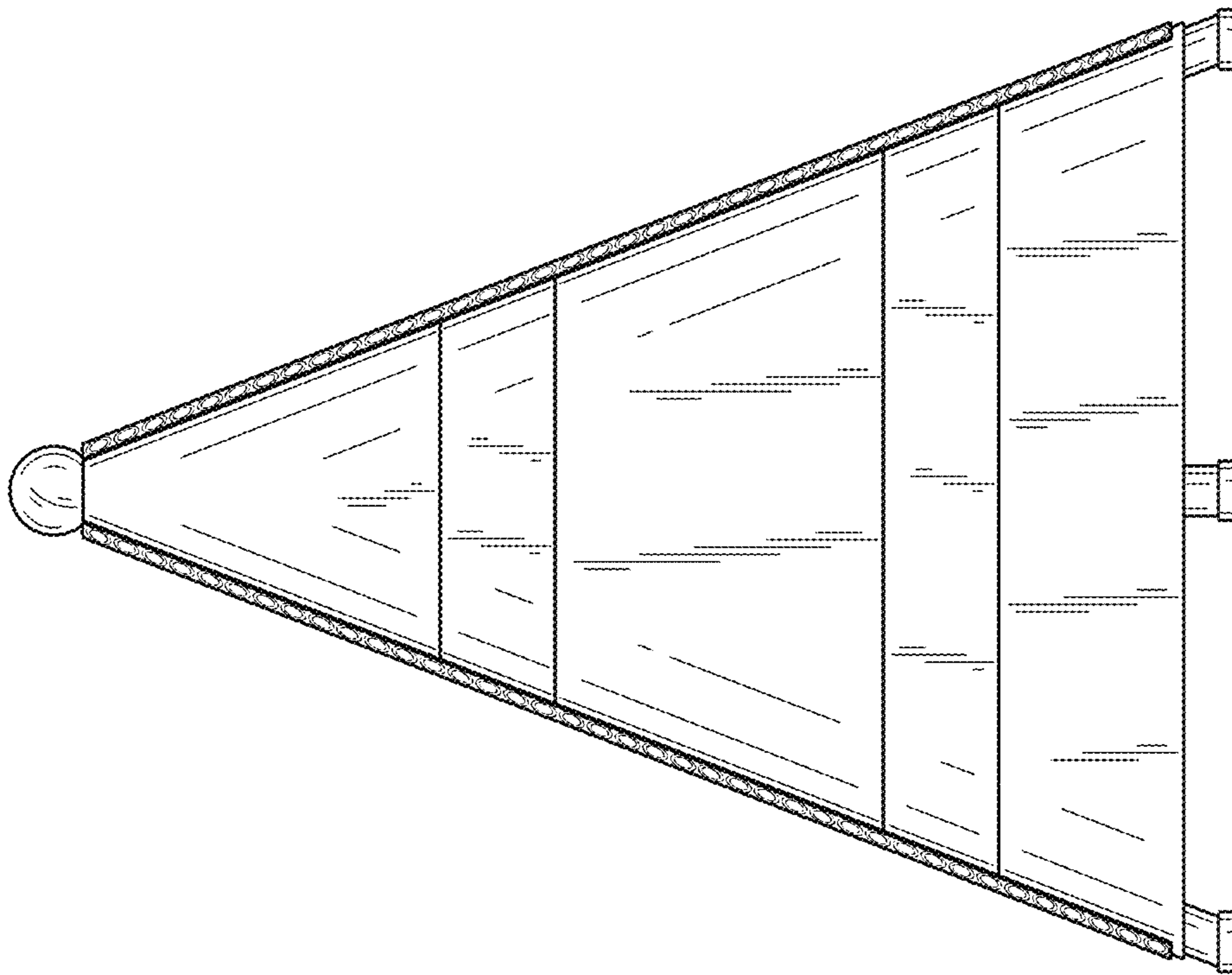


FIG. 4

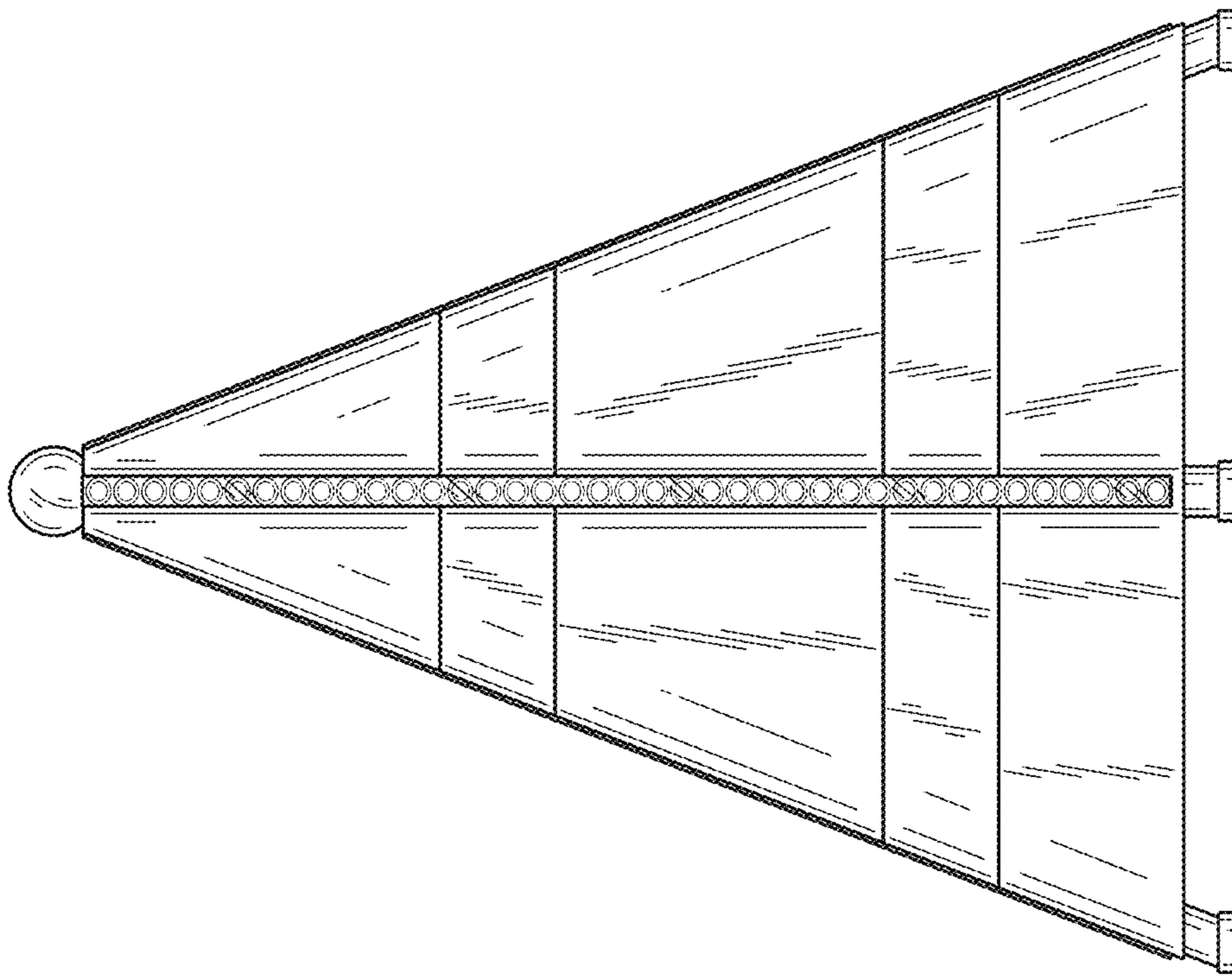


FIG. 3

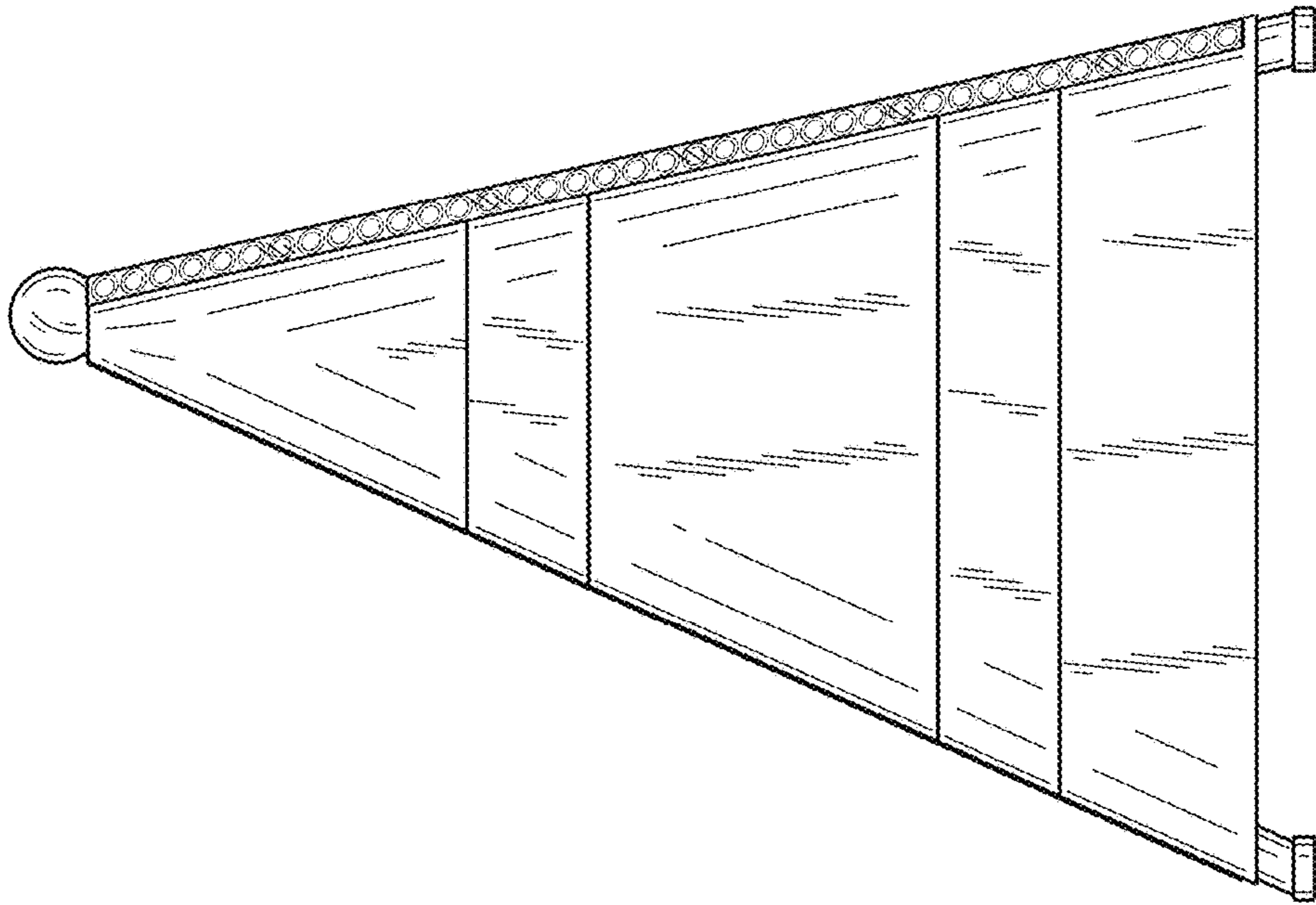


FIG. 6

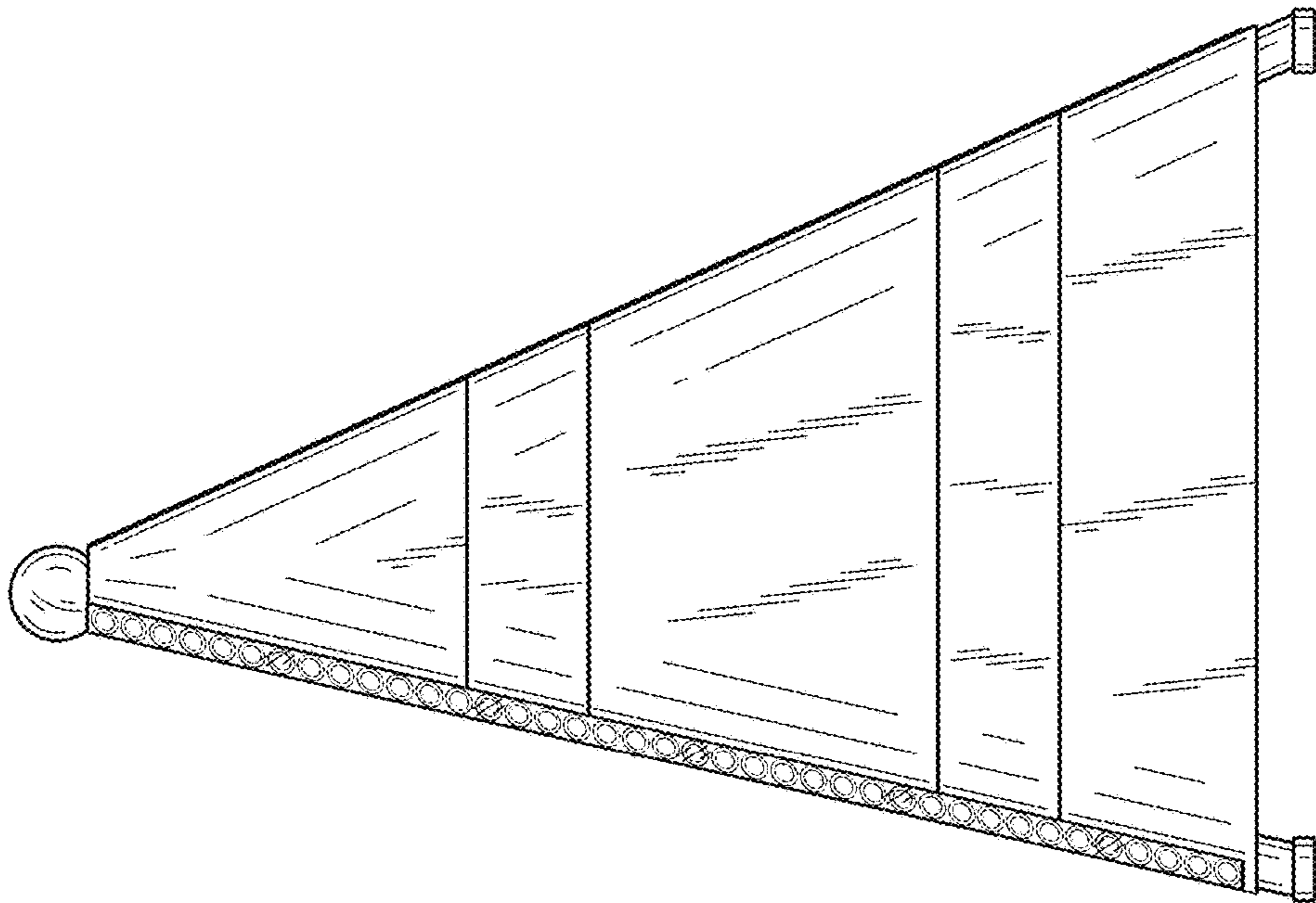


FIG. 5

FIG. 7

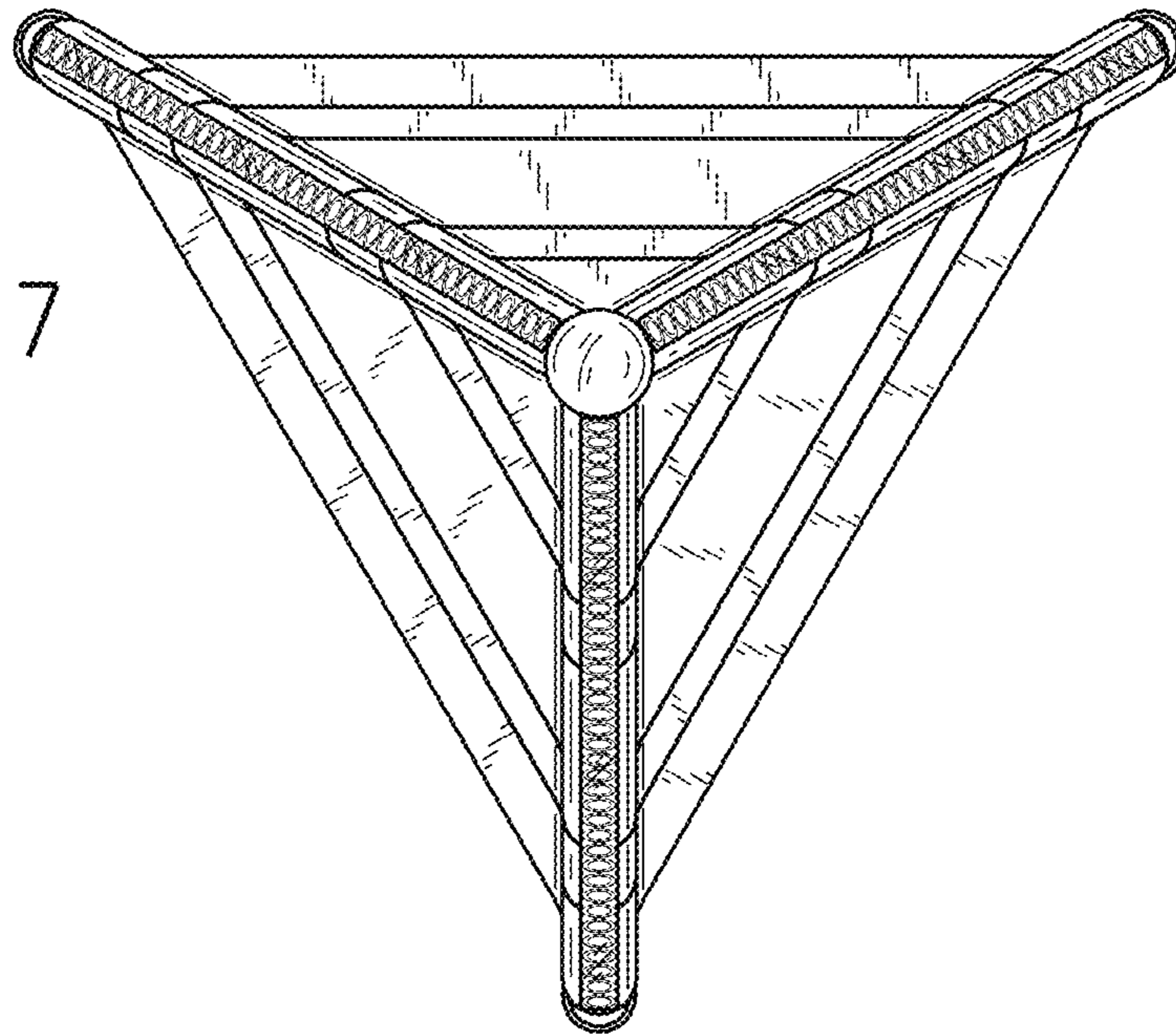


FIG. 8

