



US00D782927S

(12) **United States Design Patent** (10) **Patent No.:** **US D782,927 S**  
**Nothacker et al.** (45) **Date of Patent:** **\*\* Apr. 4, 2017**

(54) **BREATHALYZER**

(71) Applicant: **KHN Solutions, Inc.**, San Francisco, CA (US)

(72) Inventors: **Keith Harry Nothacker**, San Francisco, CA (US); **Imraan Aziz**, San Francisco, CA (US)

(73) Assignee: **KHN Solutions, Inc.**, San Francisco, CA (US)

(\*\*) Term: **15 Years**

(21) Appl. No.: **29/547,946**

(22) Filed: **Dec. 9, 2015**

(51) **LOC (10) Cl.** ..... **10-04**

(52) **U.S. Cl.**  
USPC ..... **D10/81**

(58) **Field of Classification Search**  
USPC ..... D10/78, 81  
CPC ..... A61B 5/083; A61B 5/087; A61B 5/0833; A61B 5/091; A61B 5/222; A61B 5/0002; A61B 5/02438; A61B 5/08; G01N 33/497; G01N 33/4972; G01N 33/483; G01N 33/98; G10L 17/00; Y10S 436/90  
See application file for complete search history.

(56) **References Cited**

U.S. PATENT DOCUMENTS

D539,683 S *	4/2007	Shaw	.....	D10/81
D586,677 S *	2/2009	Nothacker	.....	D10/81
D727,763 S *	4/2015	Nothacker	.....	D10/81
D727,764 S *	4/2015	Nothacker	.....	D10/81
D731,341 S *	6/2015	Kobayakawa	.....	D10/81
D744,881 S *	12/2015	Nothacker	.....	D10/81
D749,970 S *	2/2016	Nothacker	.....	D10/81

\* cited by examiner

Primary Examiner — Antoine D Davis

(74) *Attorney, Agent, or Firm* — Jeffrey Schox; Ivan Wong

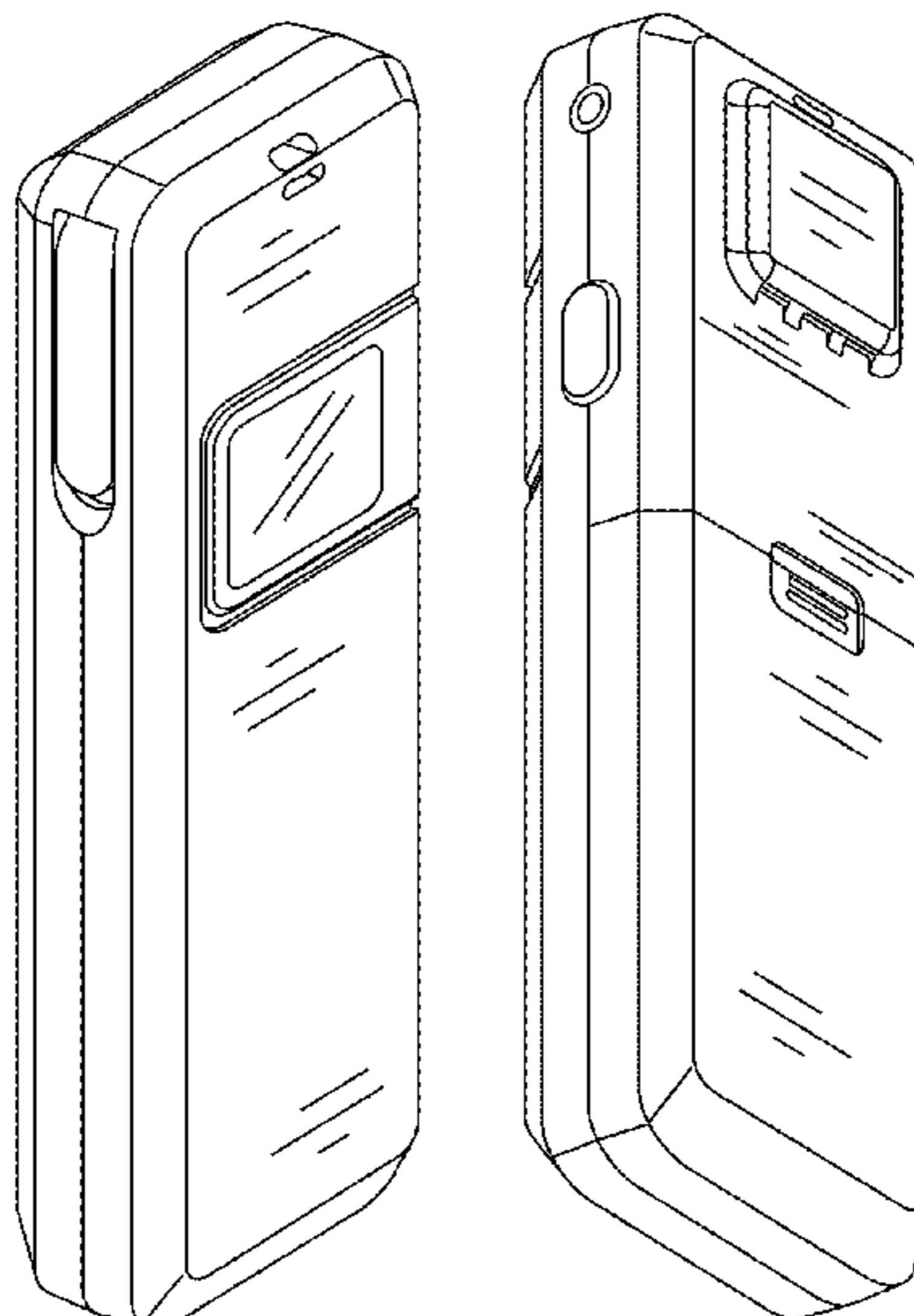
(57) **CLAIM**

We claim the ornamental design for a breathalyzer, as shown and described.

**DESCRIPTION**

FIG. 1 is an isometric view, from the front right, of the breathalyzer in a first configuration;  
 FIG. 2 is an isometric view, from the back left, of the breathalyzer in the first configuration;  
 FIG. 3 is a plan view of the top of the breathalyzer the first configuration;  
 FIG. 4 is an elevation view of the right side of the breathalyzer the first configuration;  
 FIG. 5 is an elevation view of the back of the breathalyzer the first configuration;  
 FIG. 6 is an elevation view of the left side of the breathalyzer the first configuration;  
 FIG. 7 is an elevation view of the front of the breathalyzer the first configuration;  
 FIG. 8 is a plan view of the bottom of the breathalyzer the first configuration;  
 FIG. 9 is an isometric view, from the front right, of the breathalyzer in a second configuration;  
 FIG. 10 is an isometric view, from the back left, of the breathalyzer in the second configuration;  
 FIG. 11 is a plan view of the top of the breathalyzer in the second configuration;  
 FIG. 12 is an elevation view of the right side of the breathalyzer in the second configuration;  
 FIG. 13 is an elevation view of the back of the breathalyzer in the second configuration;  
 FIG. 14 is an elevation view of the left side of the breathalyzer in the second configuration;  
 FIG. 15 is an elevation view of the front of the breathalyzer in the second configuration; and,  
 FIG. 16 is a plan view of the bottom of the breathalyzer in the second configuration.

**1 Claim, 6 Drawing Sheets**



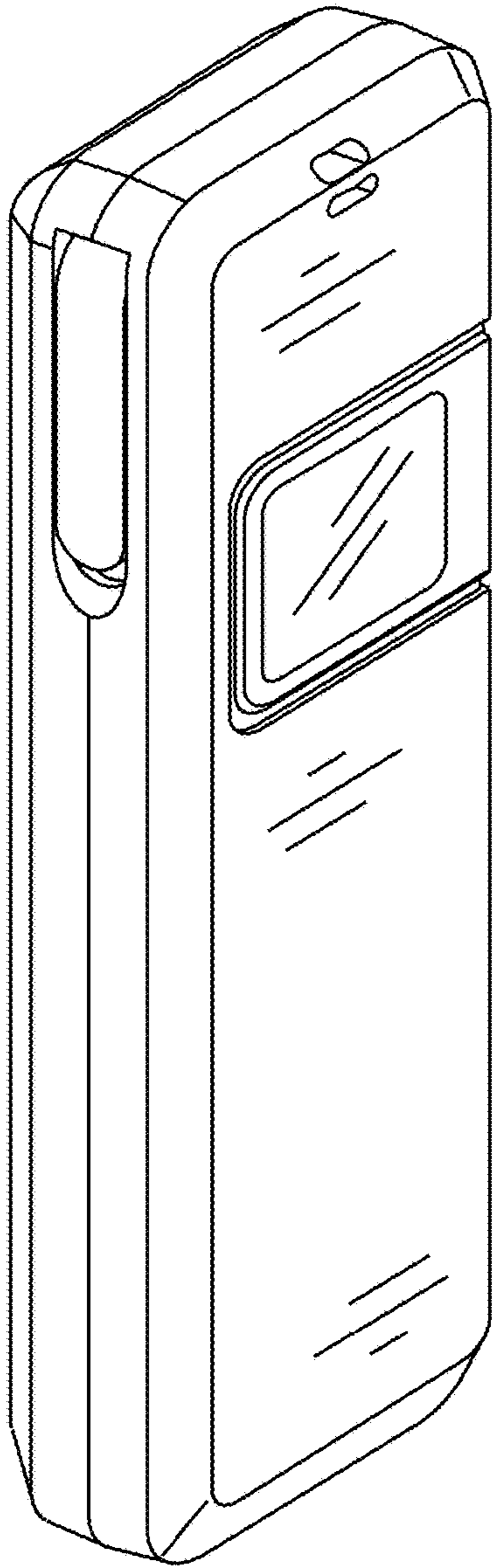


FIG. 1

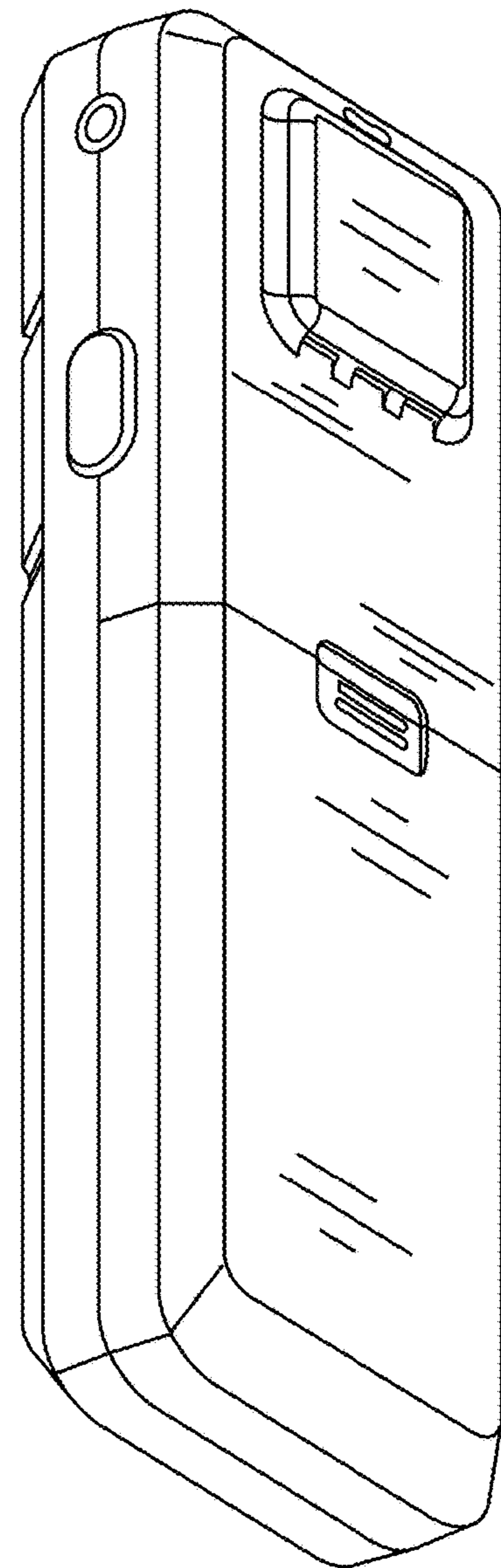


FIG. 2

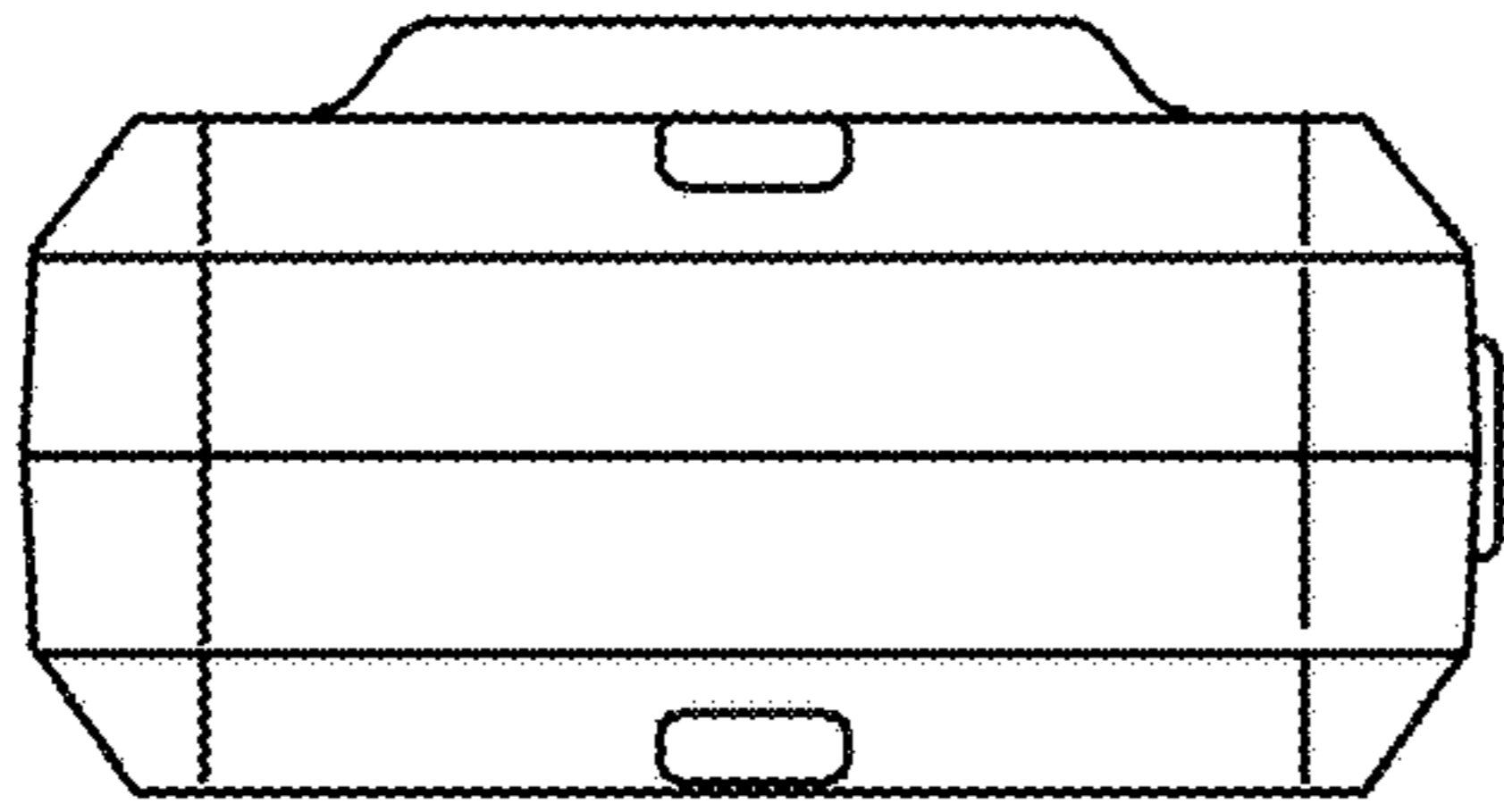


FIG. 3

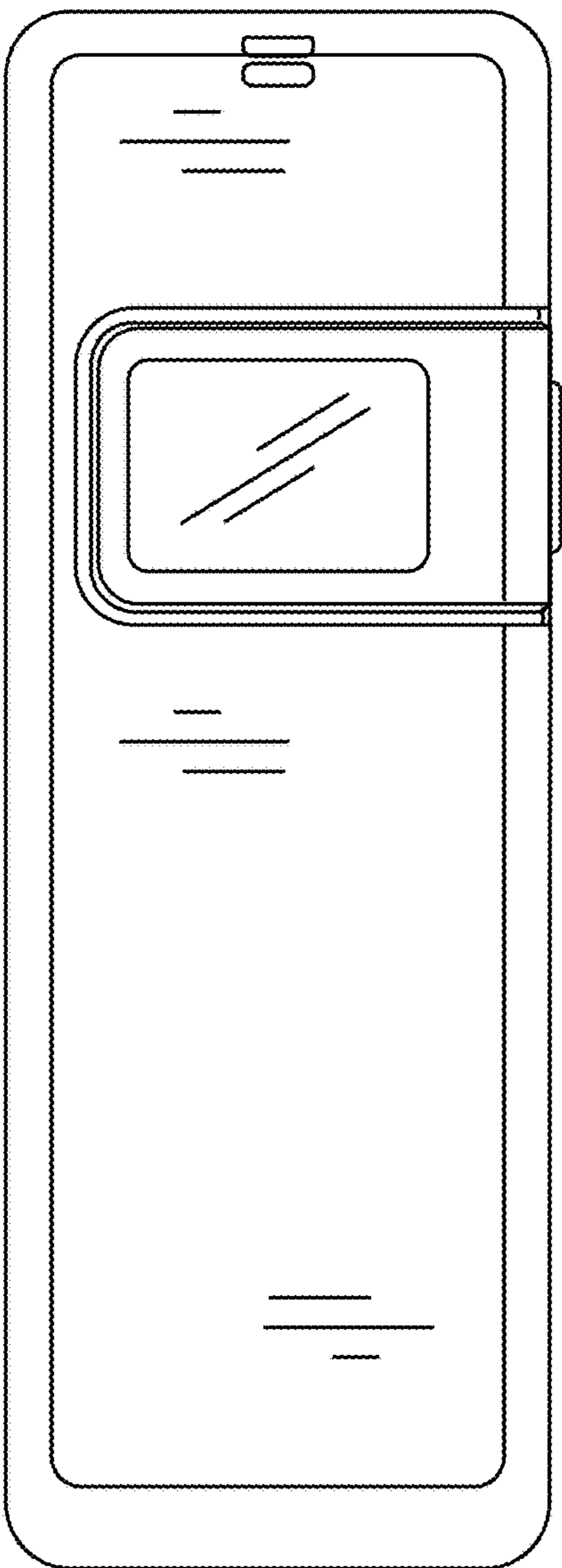


FIG. 4

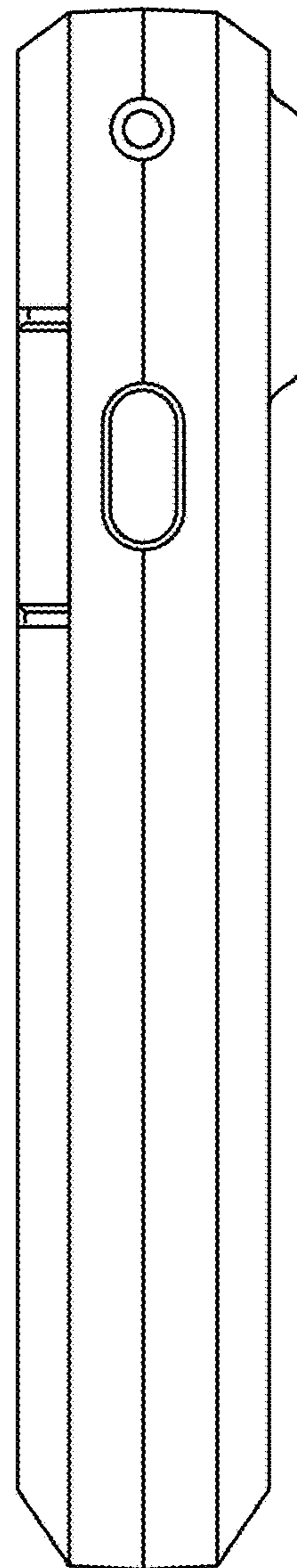


FIG. 5

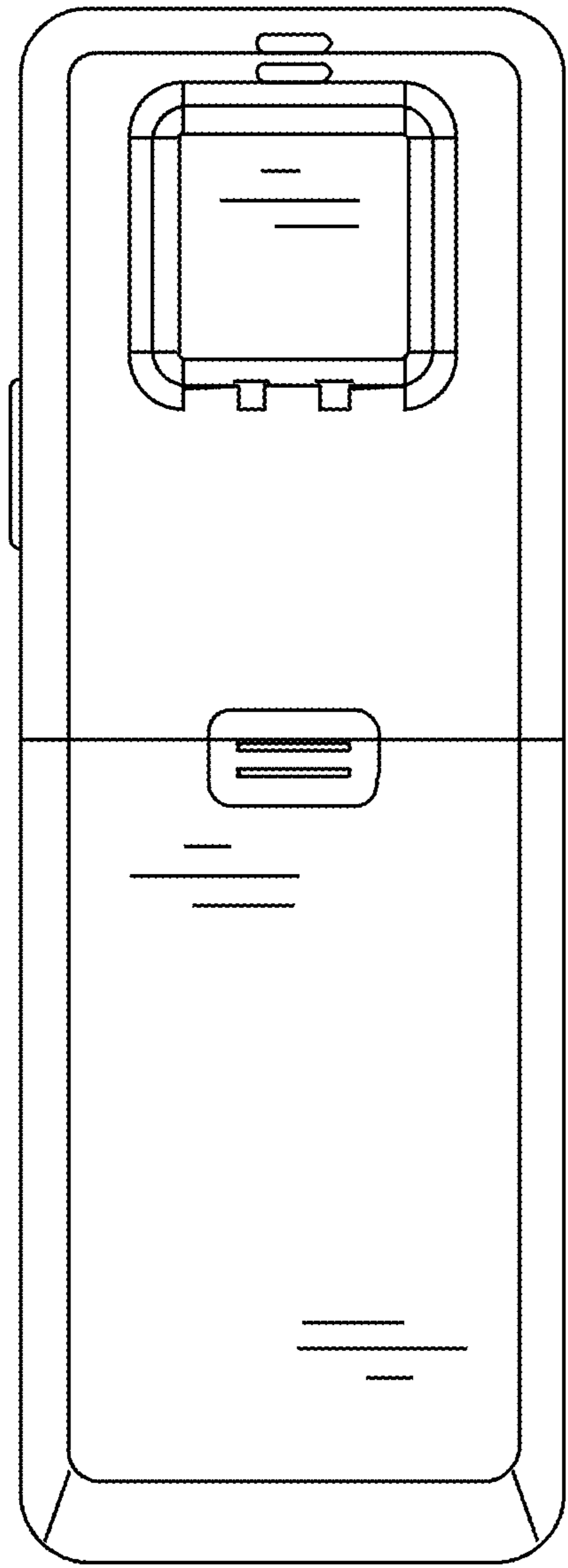


FIG. 6

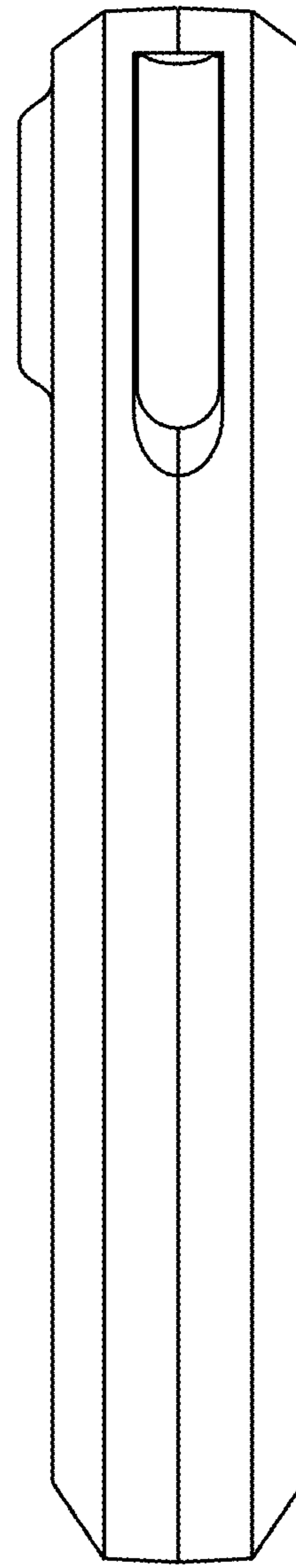


FIG. 7

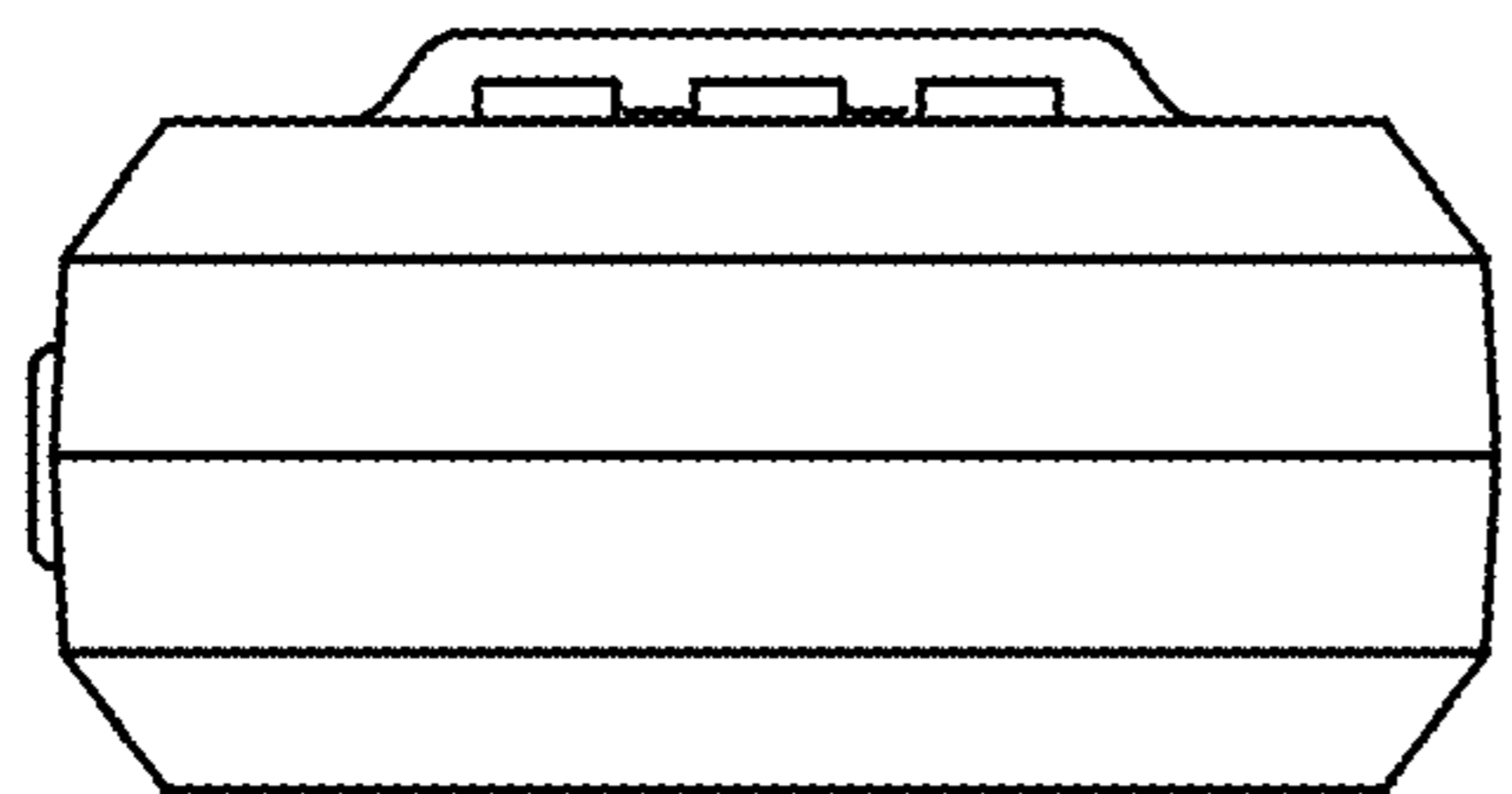


FIG. 8

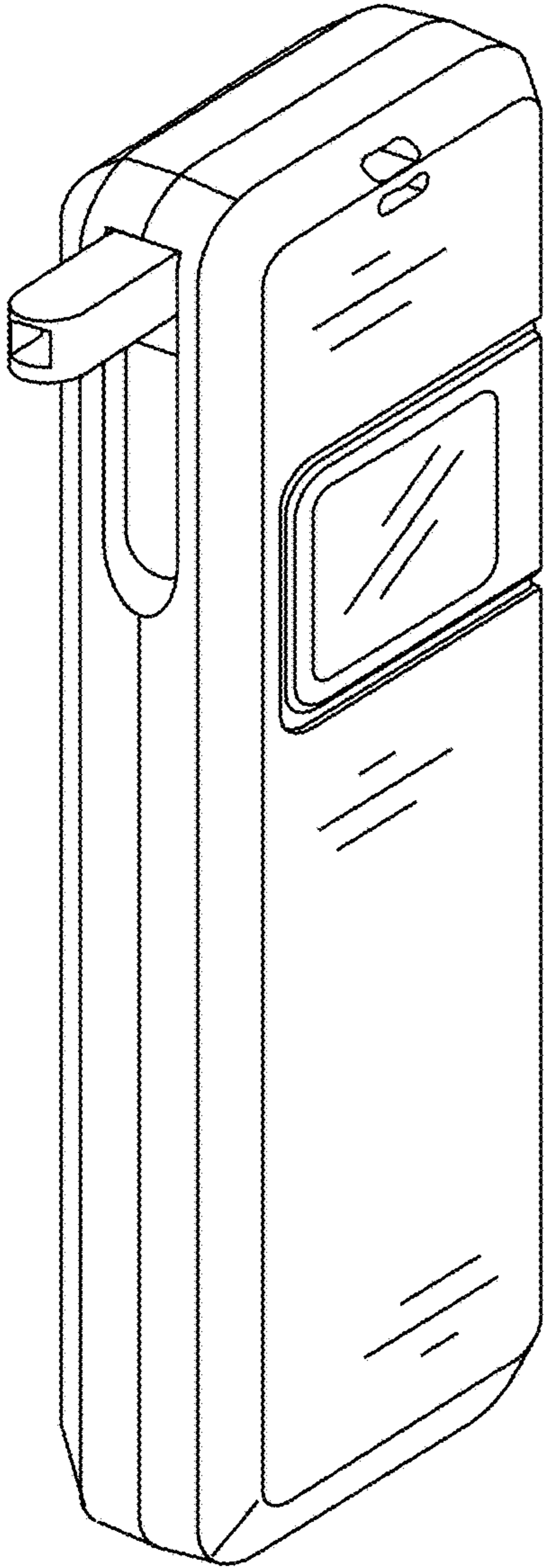


FIG. 9

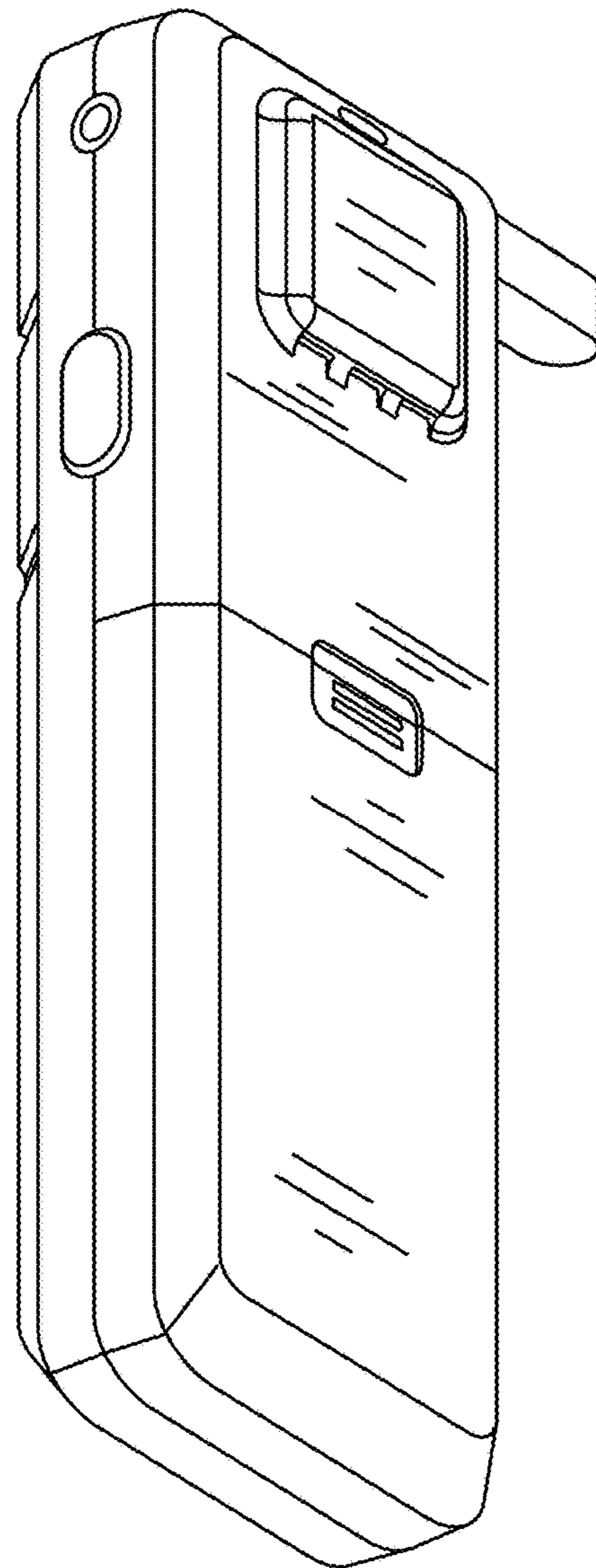


FIG. 10

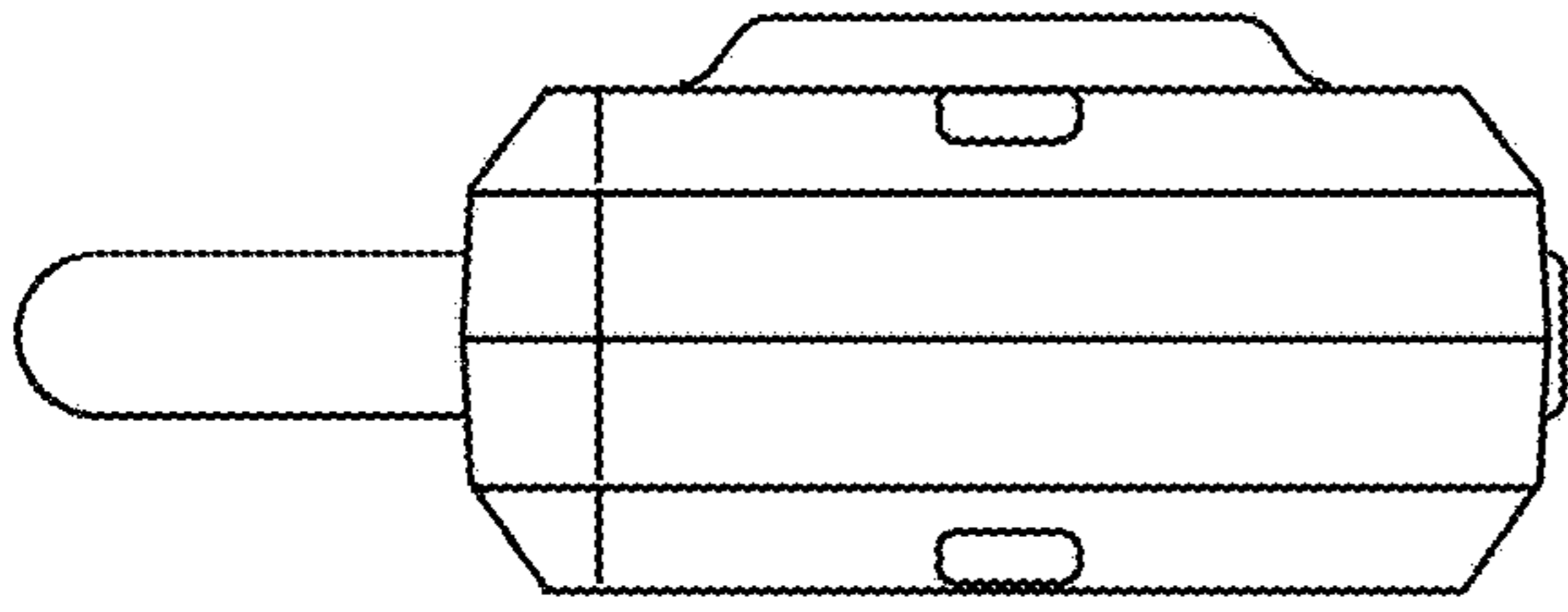


FIG. 11

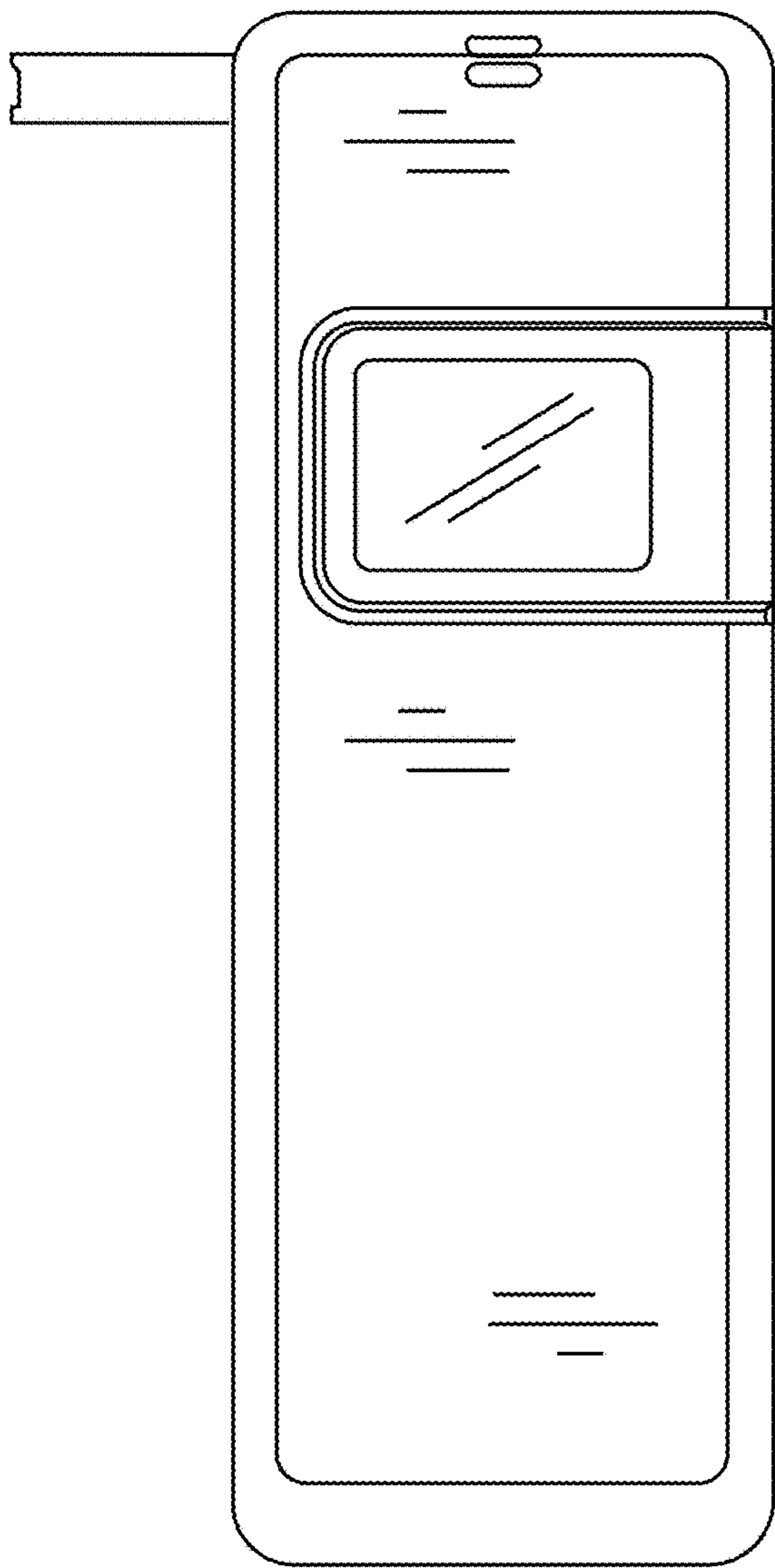


FIG. 12

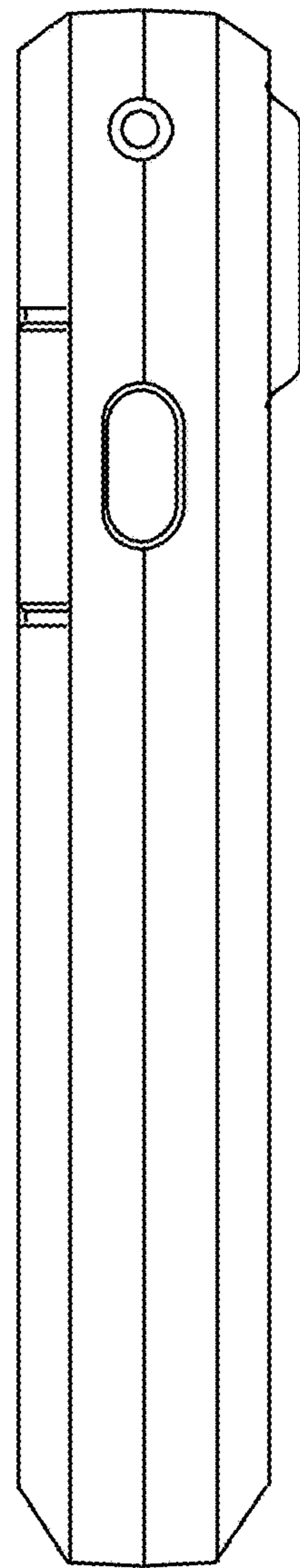


FIG. 13

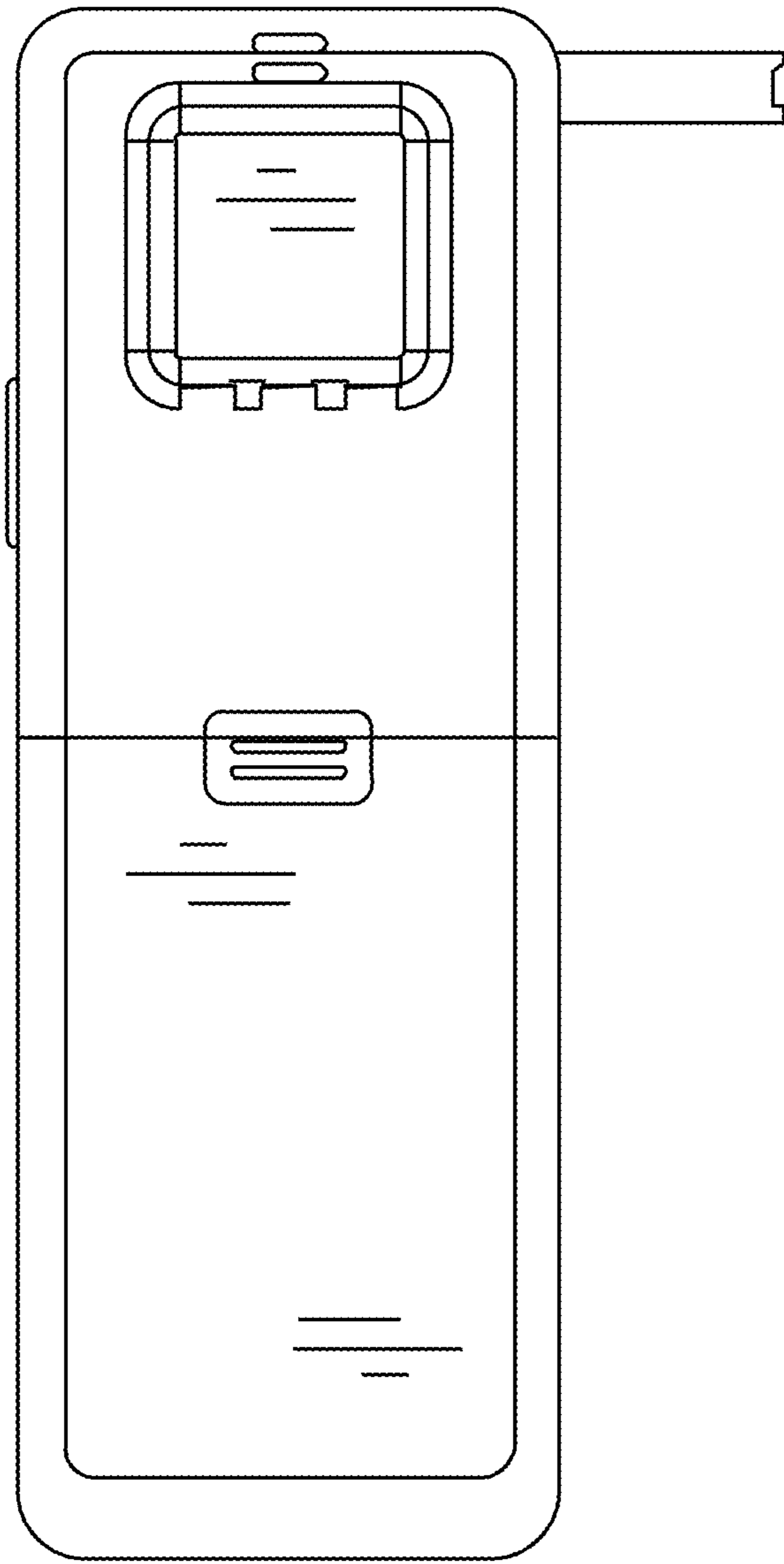


FIG. 14

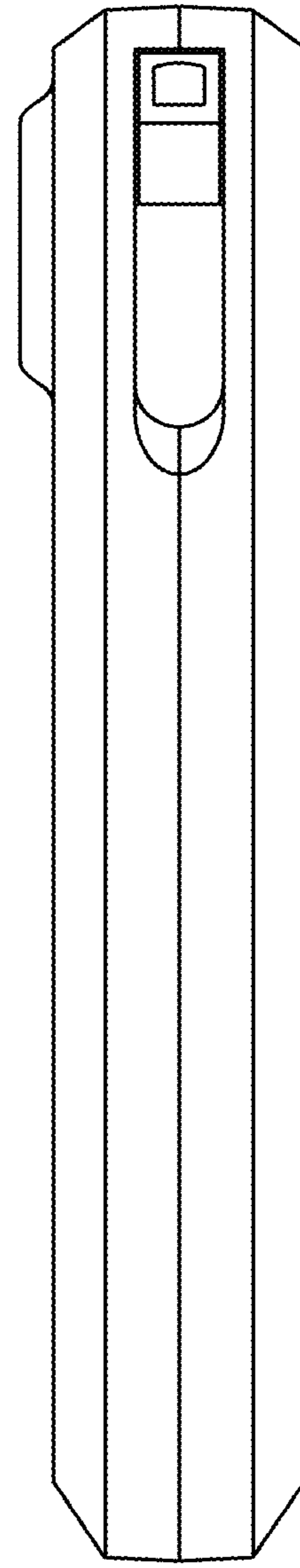


FIG. 15

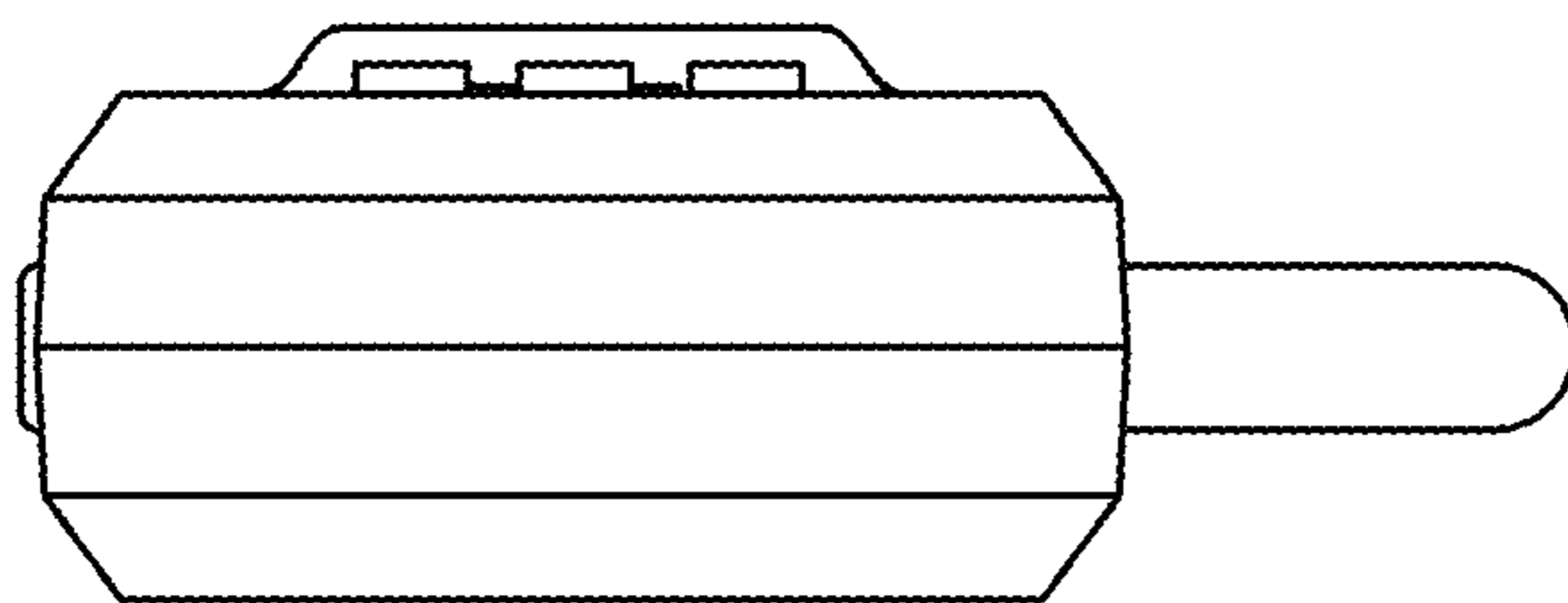


FIG. 16