



US00D782925S

(12) **United States Design Patent**
Tchira

(10) **Patent No.:** **US D782,925 S**
(45) **Date of Patent:** **** Apr. 4, 2017**

- (54) **LIQUID LEVEL INDICATOR**
- (71) Applicant: **DOTCHI, LLC**, Miami, FL (US)
- (72) Inventor: **Harry Tchira**, Miami, FL (US)
- (**) Term: **15 Years**
- (21) Appl. No.: **29/540,469**
- (22) Filed: **Sep. 24, 2015**
- (51) **LOC (10) Cl.** **10-04**
- (52) **U.S. Cl.**
USPC **D10/56; D10/101**
- (58) **Field of Classification Search**
USPC D10/56, 101
CPC A01G 27/00; A01G 27/001; A01G 27/003;
A01G 27/005; A01G 27/006; A01G
27/008; A01G 27/02; A01G 27/04; A01G
27/06
See application file for complete search history.

8,893,432 B2 * 11/2014 Asal A01G 27/06
47/81
9,138,757 B2 * 9/2015 McLarty B05B 1/3006
2005/0005518 A1 1/2005 Iseki et al.

FOREIGN PATENT DOCUMENTS

CN 2031197 U 1/1989
DE 20 2006 000 586 U1 5/2006
(Continued)

OTHER PUBLICATIONS

Playmobil USA Lechuza Classico Self-Watering Polypropylene Indoor/Outdoor Planter, <http://www.hayneedle.com/product/classicoindoorplanter.cfm>, Retrieved from internet Feb. 16, 2015.

Primary Examiner — Antoine D Davis
(74) *Attorney, Agent, or Firm* — Cozen O'Connor

(57) **CLAIM**

I claim the ornamental design for a liquid level indicator, as shown and described.

DESCRIPTION

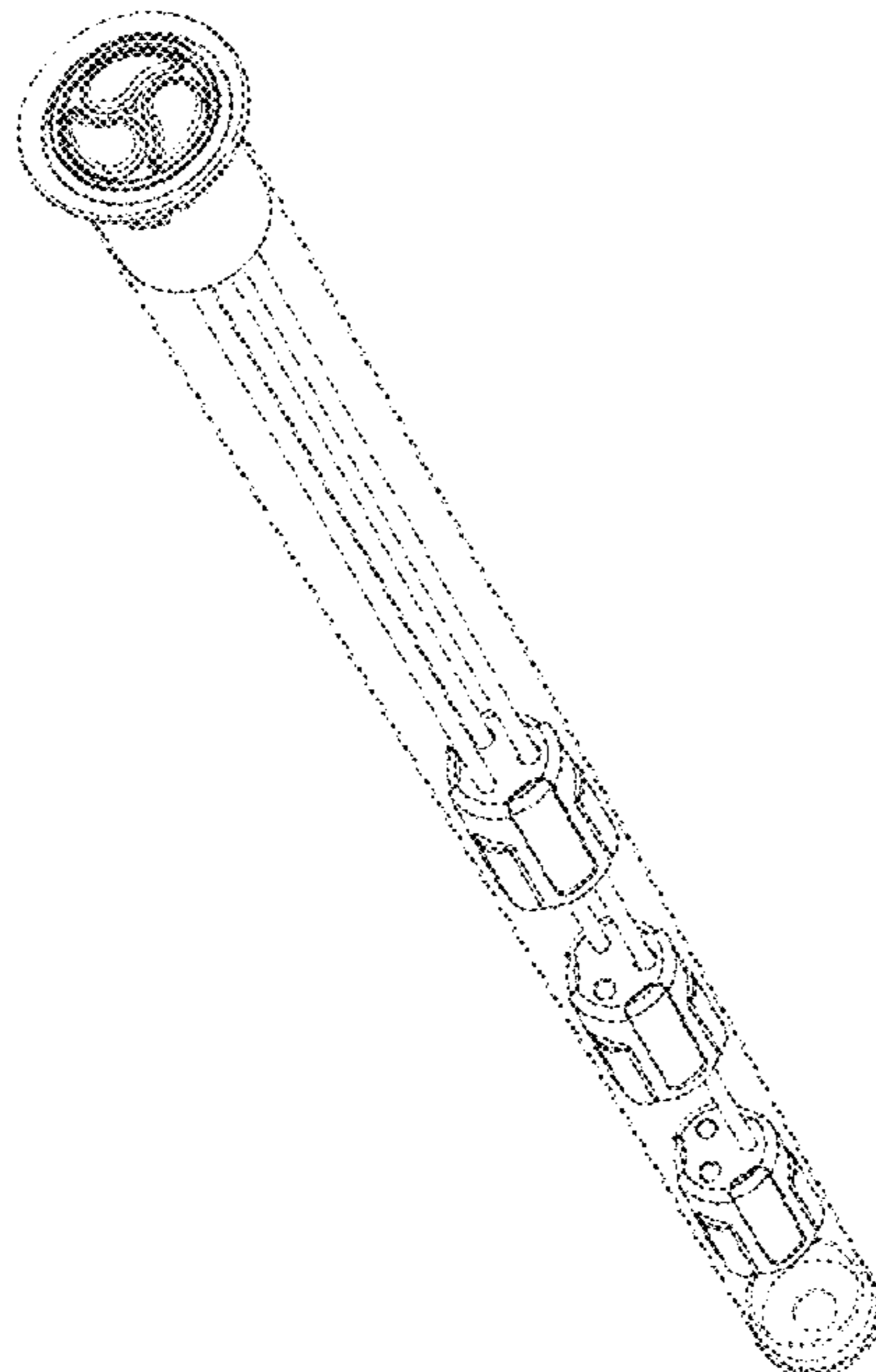
FIG. 1 illustrates a perspective view of the liquid level in a liquid container.
 FIG. 2 illustrates perspective view of the liquid level indicator, in accordance with an embodiment.
 FIG. 3 illustrates a top view of the liquid level indicator.
 FIG. 4 illustrates a bottom view of the liquid level indicator.
 FIG. 5 illustrates a right view of the liquid level indicator.
 FIG. 6 illustrates a back view of the liquid level indicator.
 FIG. 7 illustrates a left view of the liquid level indicator; and,
 FIG. 8 illustrates a front view of the liquid level indicator.

1 Claim, 4 Drawing Sheets

(56) **References Cited**

U.S. PATENT DOCUMENTS

3,552,058 A	1/1971	Fici	
3,775,904 A	12/1973	Peters	
4,528,774 A	7/1985	Skaife	
4,805,342 A *	2/1989	Jenkins A01G 27/02 47/79
6,345,470 B1	2/2002	Slaght et al.	
6,691,460 B1 *	2/2004	Lee A01G 27/02 47/79
6,848,483 B1 *	2/2005	Atkinson A01G 27/02 137/393
7,171,783 B1	2/2007	Fidotti	
7,703,240 B2	4/2010	Watson et al.	
8,191,310 B2	6/2012	Keats	



(56)

References Cited

FOREIGN PATENT DOCUMENTS

DE	10 2005 058 436	A1	6/2007
EP	0 171 889	A1	2/1986
EP	1 541 011	A1	6/2005
EP	2 644 024	A1	10/2013
WO	2009/125023	A1	10/2009

* cited by examiner

FIG. 1

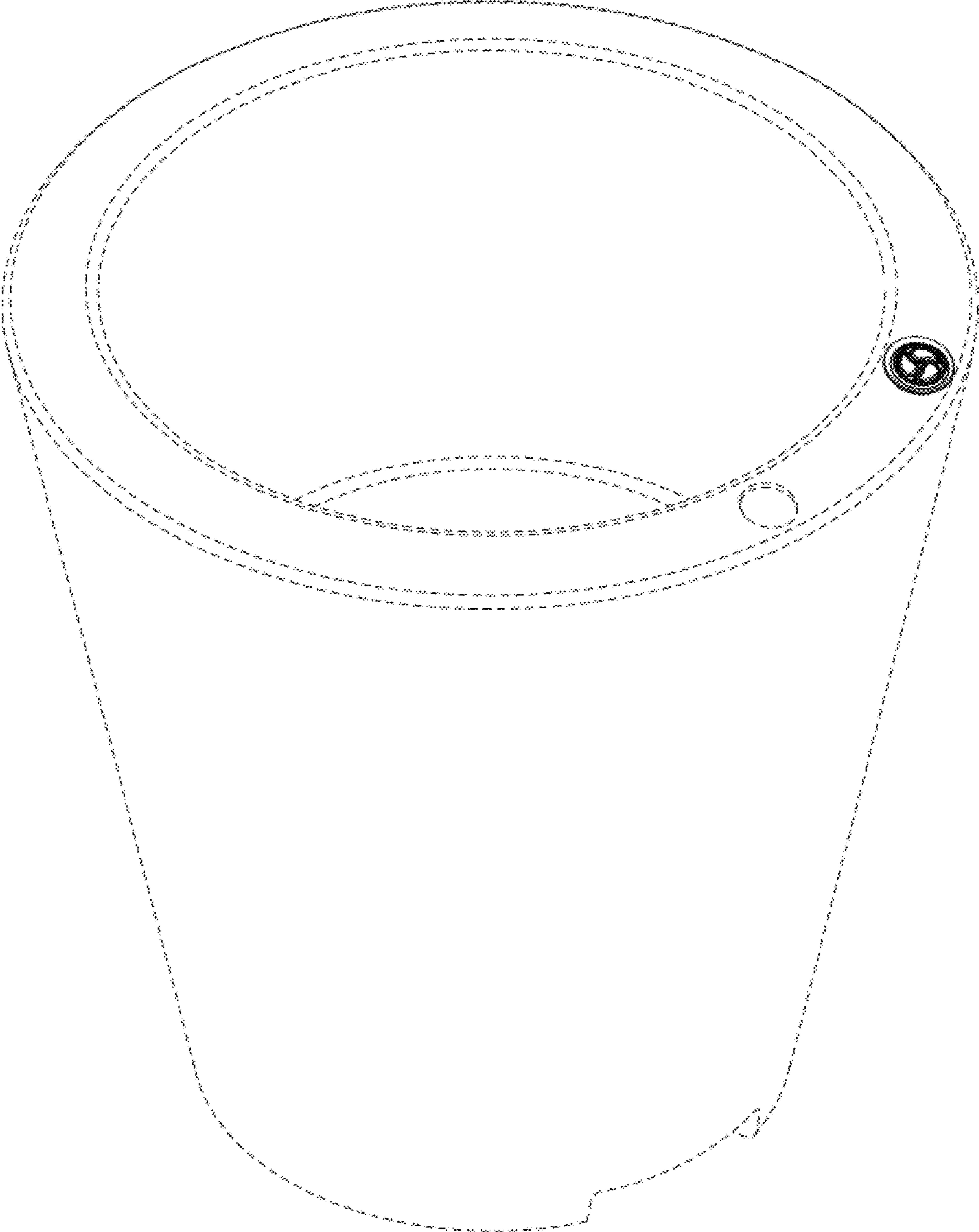


FIG. 2

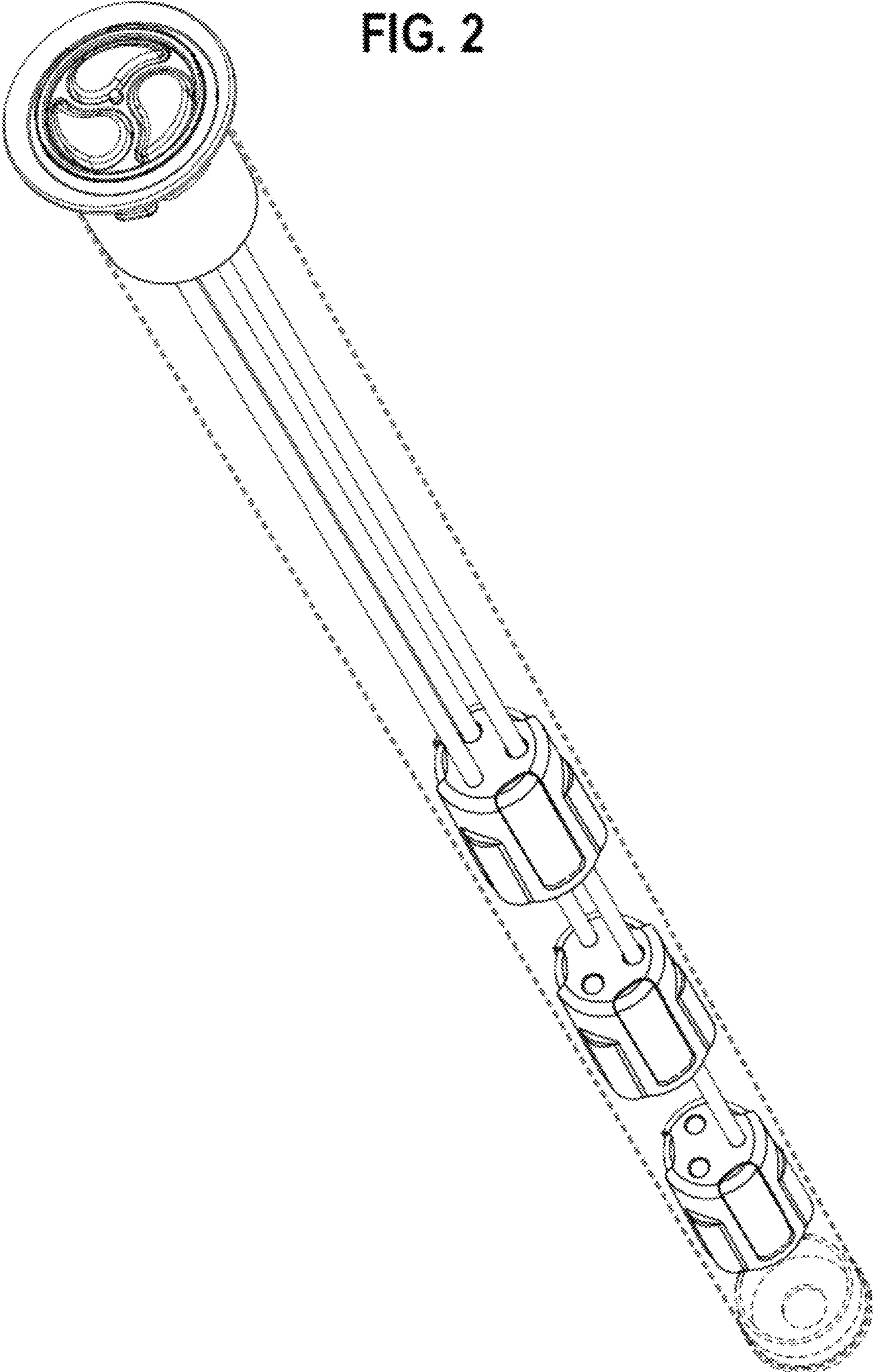


FIG. 3

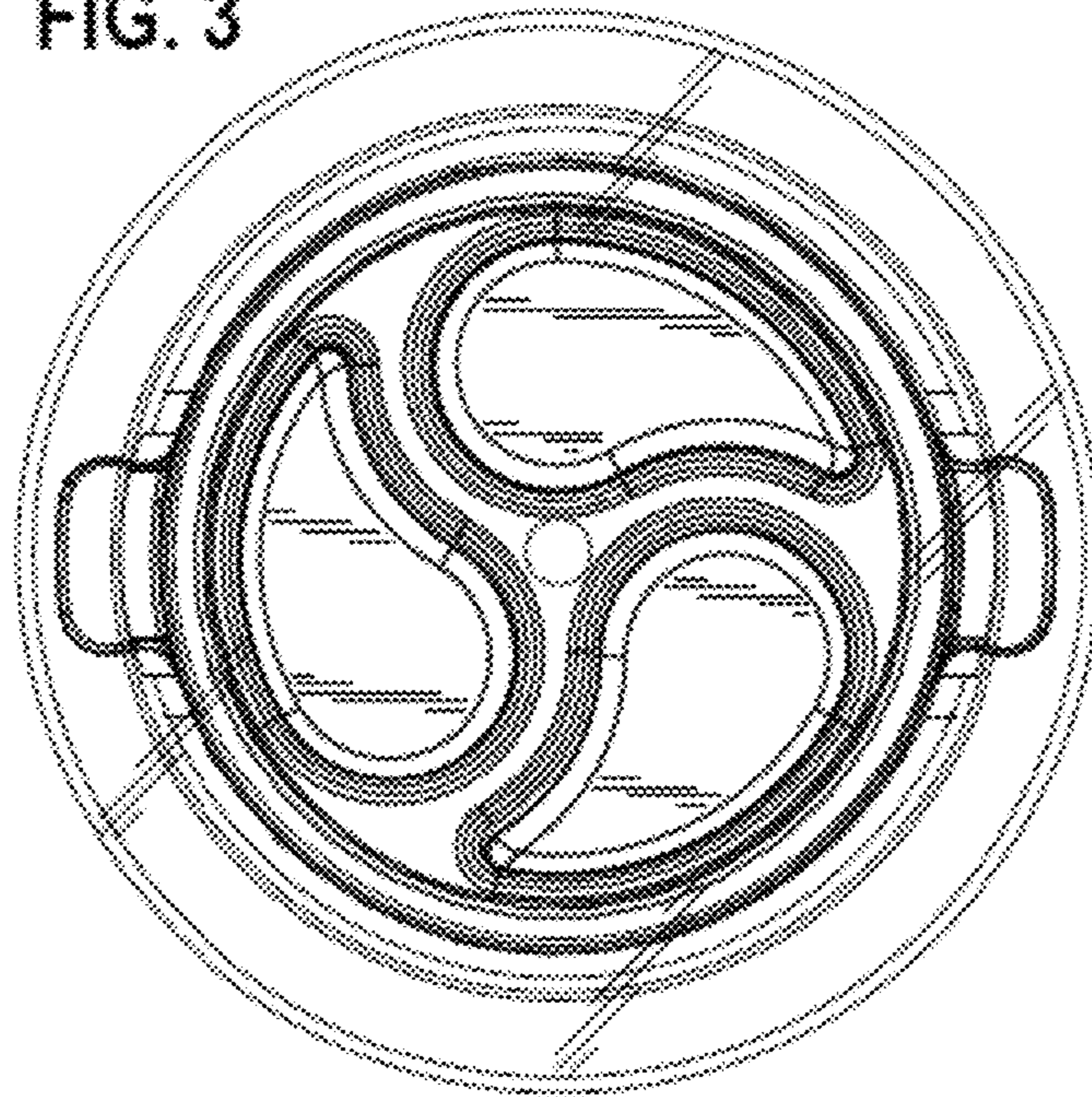


FIG. 4

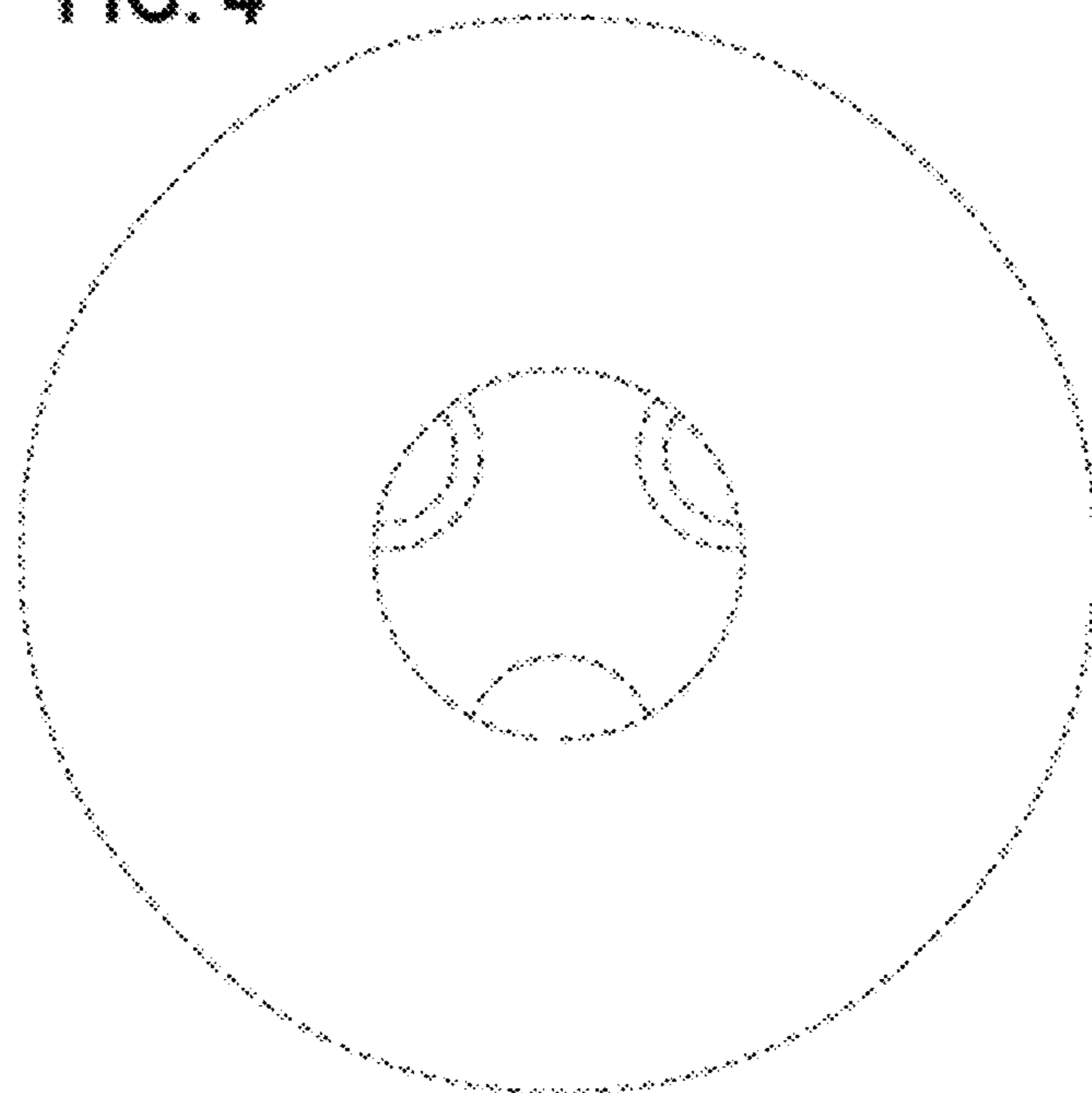


FIG. 5

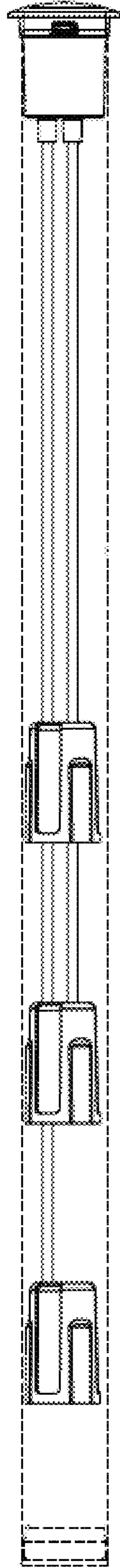


FIG. 6

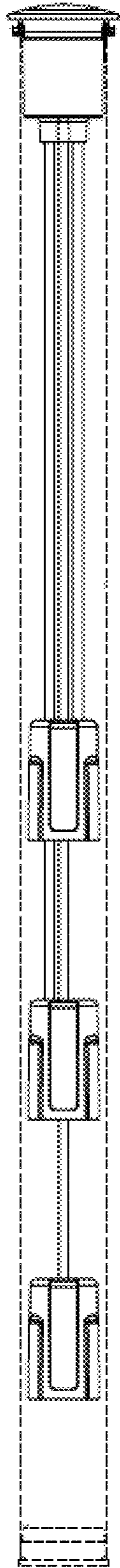


FIG. 7

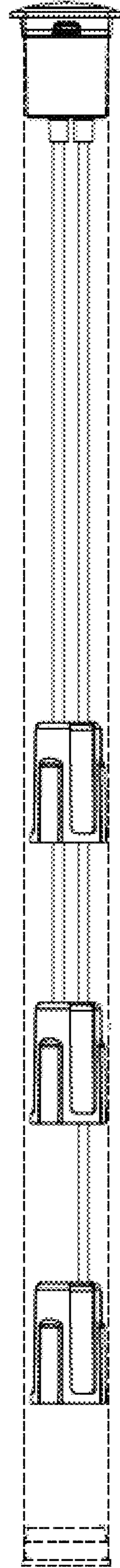
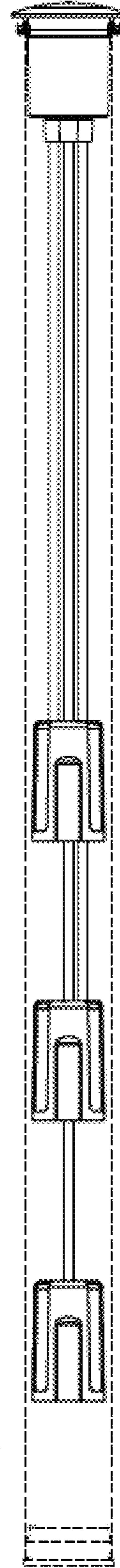


FIG. 8



UNITED STATES PATENT AND TRADEMARK OFFICE
CERTIFICATE OF CORRECTION

PATENT NO. : D782,925 S
APPLICATION NO. : 29/540469
DATED : April 4, 2017
INVENTOR(S) : Tchira et al.

Page 1 of 1

It is certified that error appears in the above-identified patent and that said Letters Patent is hereby corrected as shown below:

On the Title Page

Item (12) "Tchira" should read -- Tchira, et al. --.

Item (72) Inventor is corrected to read:

-- Harry Tchira, Miami (FL);

Erik Allen Holmen, Lakewood Ranch (FL);

Joel Raymond Chartier, Lakewood Ranch (FL) --.

Signed and Sealed this
Ninth Day of October, 2018



Andrei Iancu
Director of the United States Patent and Trademark Office