



US00D782924S

(12) **United States Design Patent**  
**Tchira**

(10) **Patent No.:** **US D782,924 S**

(45) **Date of Patent:** **\*\* Apr. 4, 2017**

(54) **LIQUID LEVEL INDICATOR**

8,893,432 B2 \* 11/2014 Asal ..... A01G 27/06  
47/81

(71) Applicant: **DOTCHI, LLC**, Miami, FL (US)

9,138,757 B2 \* 9/2015 McLarty ..... B05B 1/3006  
2005/0005518 A1 1/2005 Iseki et al.

(72) Inventor: **Harry Tchira**, Miami, FL (US)

**FOREIGN PATENT DOCUMENTS**

(\*\*) Term: **15 Years**

CN 2031197 U 1/1989  
DE 20 2006 000 586 U1 5/2006

(21) Appl. No.: **29/540,453**

(Continued)

(22) Filed: **Sep. 24, 2015**

**OTHER PUBLICATIONS**

(51) **LOC (10) Cl.** ..... **10-04**

Playmobil USA Lechuza Classico Self-Watering Polypropylene Indoor/OutdoorPlanter, <http://www.hayneedle.com/product/classicoindoorplanter.cfm>, Retrieved from internet Feb. 16, 2015.

(52) **U.S. Cl.**

USPC ..... **D10/56**; D10/101

(58) **Field of Classification Search**

USPC ..... D10/56, 101  
CPC .... A01G 27/00; A01G 27/001; A01G 27/003;  
A01G 27/005; A01G 27/006; A01G  
27/008; A01G 27/02; A01G 27/04; A01G  
27/06

*Primary Examiner* — Antoine D Davis

(74) *Attorney, Agent, or Firm* — Cozen O'Connor

See application file for complete search history.

(57) **CLAIM**

We claim the ornamental design for a liquid level indicator, as shown and described.

(56) **References Cited**

**DESCRIPTION**

**U.S. PATENT DOCUMENTS**

3,552,058 A	1/1971	Fici	
3,775,904 A	12/1973	Peters	
4,528,774 A	7/1985	Skaife	
4,805,342 A *	2/1989	Jenkins	..... A01G 27/02 47/79
6,345,470 B1	2/2002	Slaght et al.	
6,691,460 B1 *	2/2004	Lee	..... A01G 27/02 47/79
6,848,483 B1 *	2/2005	Atkinson	..... A01G 27/02 137/393
7,171,783 B1	2/2007	Fidotti	
7,703,240 B2	4/2010	Watson et al.	
8,191,310 B2	6/2012	Keats	

FIG. 1 illustrates a perspective view of the liquid level in a liquid container.

FIG. 2 illustrates perspective view of the liquid level indicator, in accordance with an embodiment.

FIG. 3 illustrates a top view of the liquid level indicator.

FIG. 4 illustrates a bottom view of the liquid level indicator.

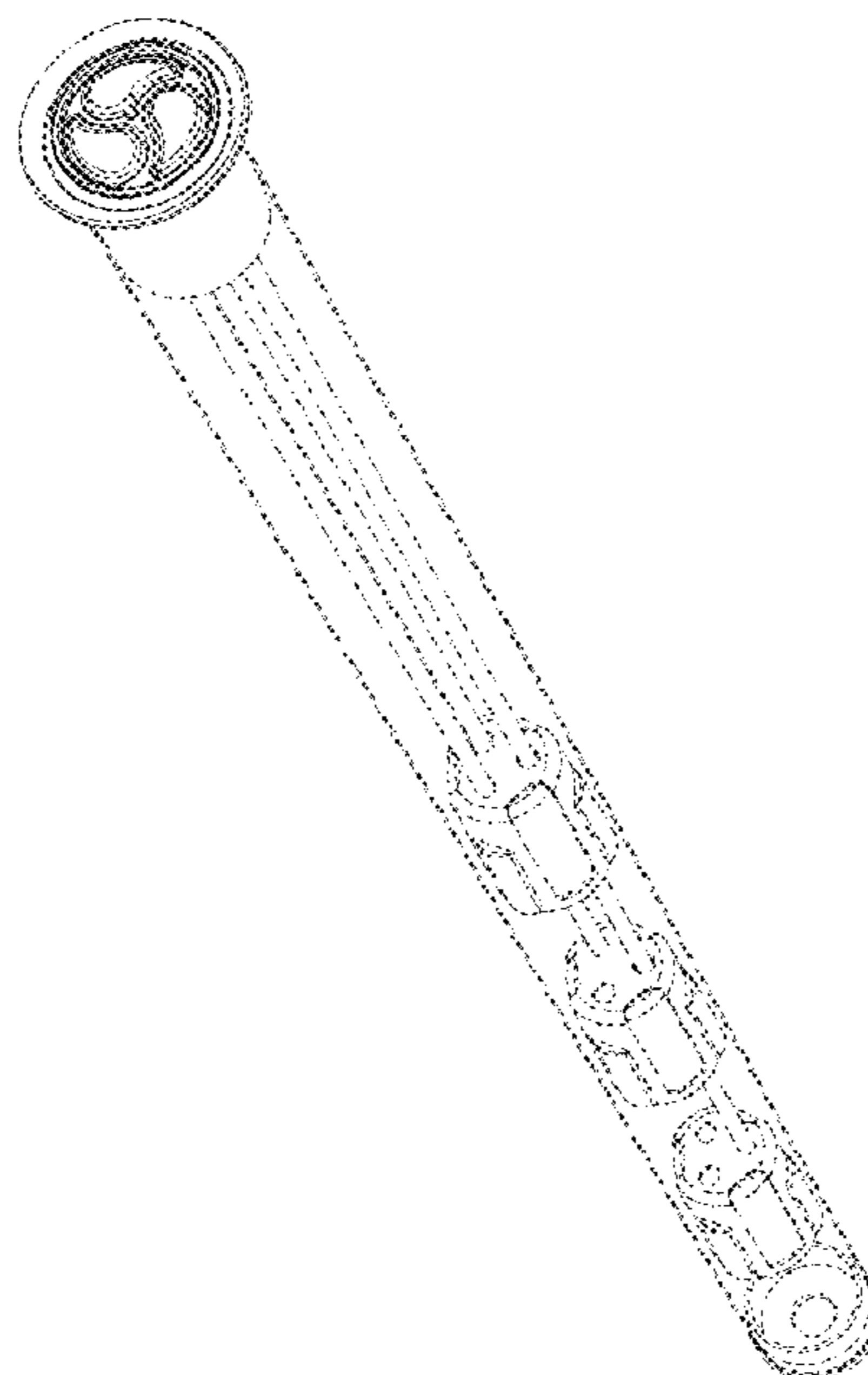
FIG. 5 illustrates a right view of the liquid level indicator.

FIG. 6 illustrates a back view of the liquid level indicator.

FIG. 7 illustrates a left view of the liquid level indicator; and,

FIG. 8 illustrates a front view of the liquid level indicator.

**1 Claim, 4 Drawing Sheets**



(56)

**References Cited**

FOREIGN PATENT DOCUMENTS

DE	10 2005 058 436	A1	6/2007
EP	0 171 889	A1	2/1986
EP	1 541 011	A1	6/2005
EP	2 644 024	A1	10/2013
WO	2009/125023	A1	10/2009

\* cited by examiner

FIG. 1

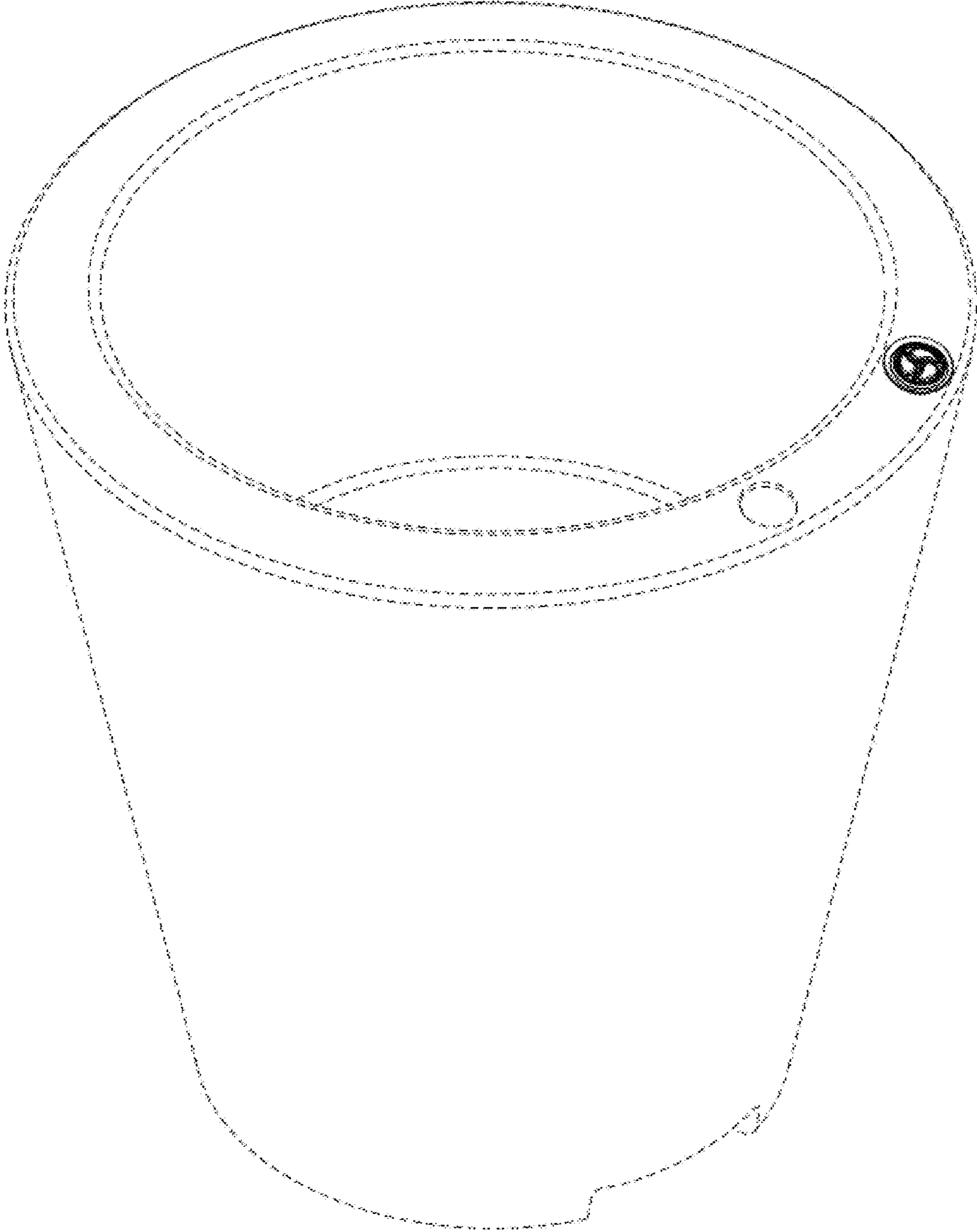


FIG. 2

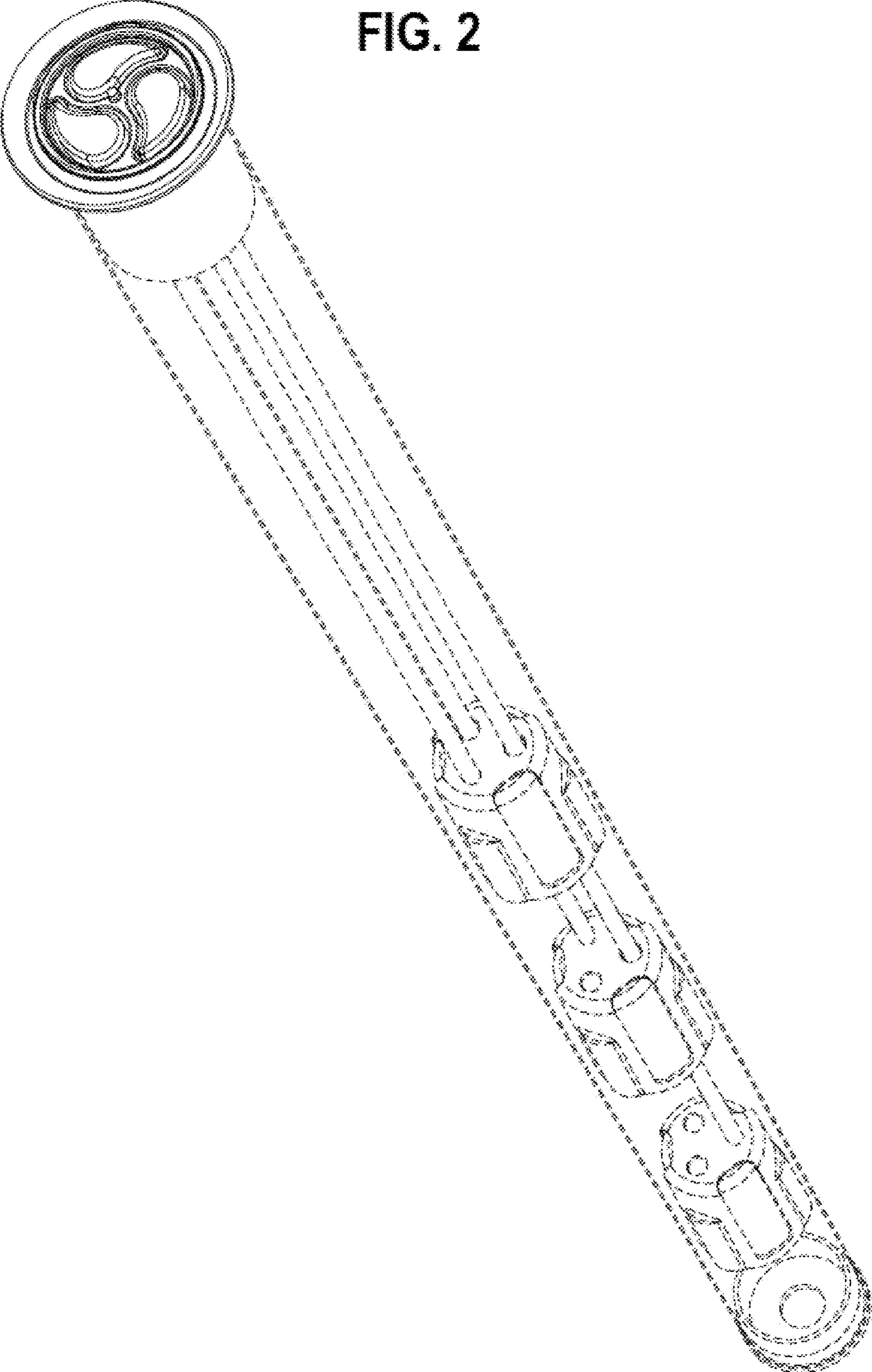


FIG. 3

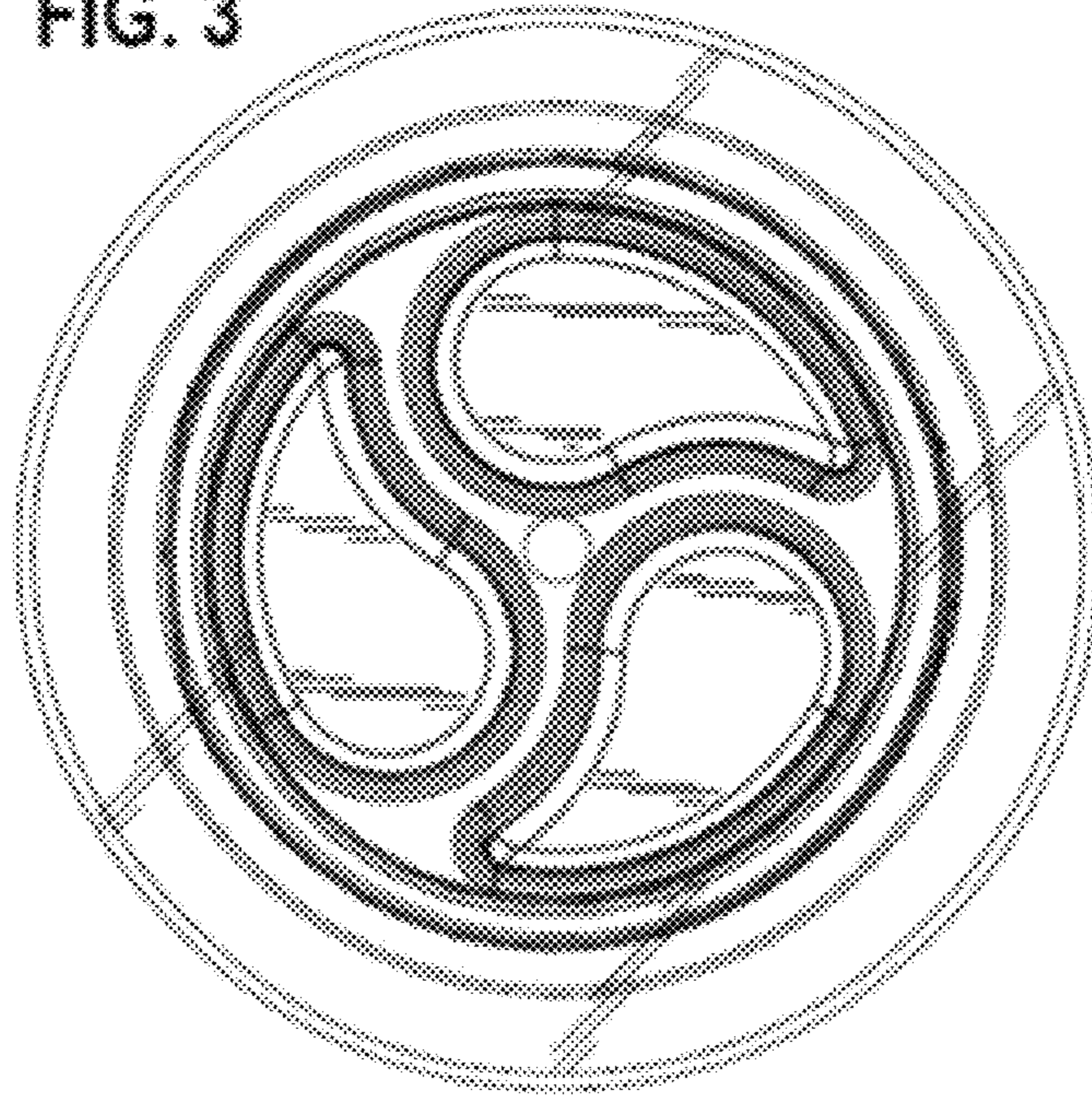


FIG. 4

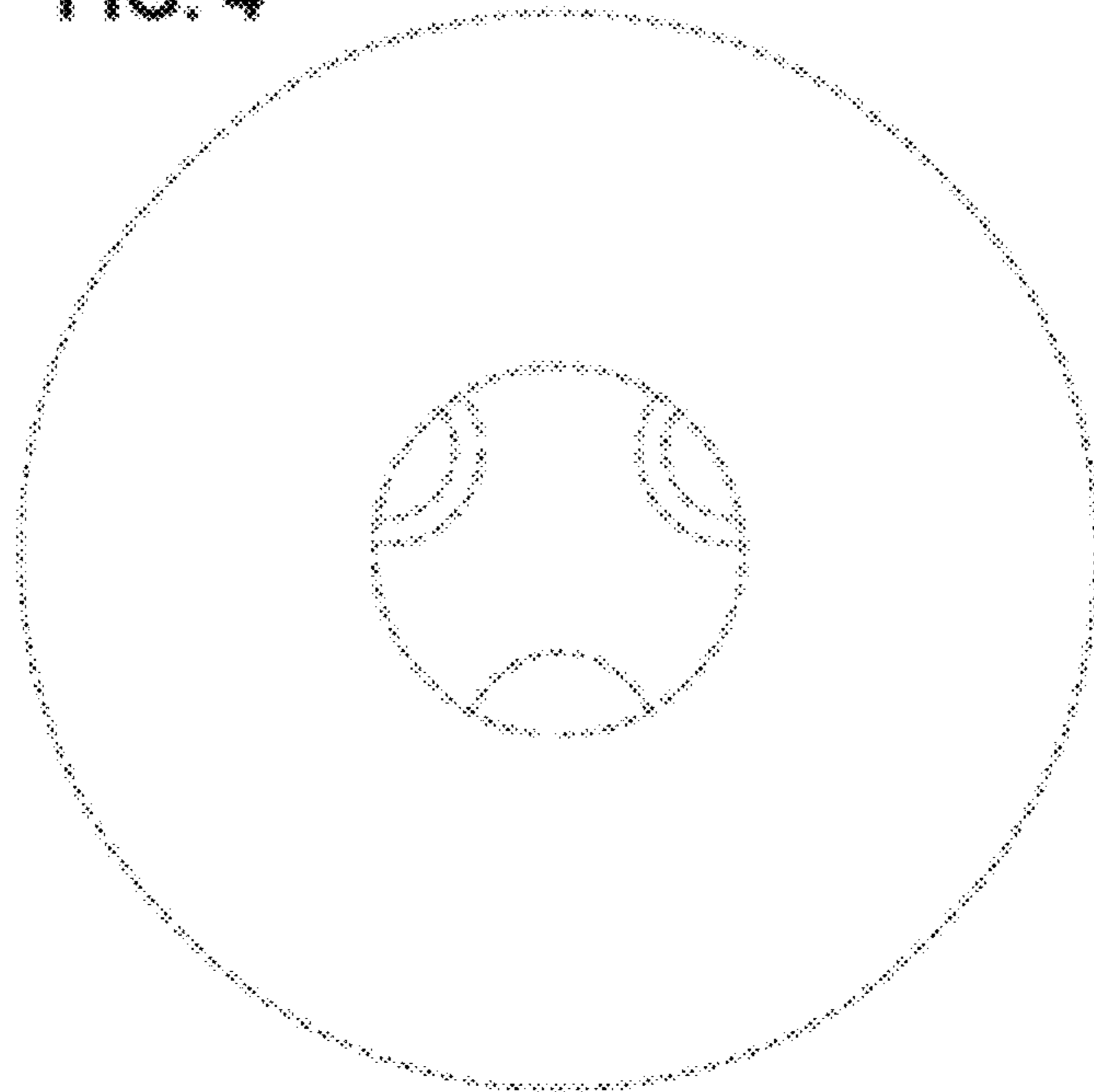


FIG. 5

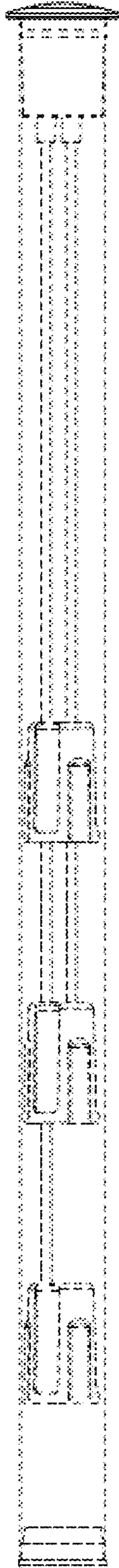


FIG. 6

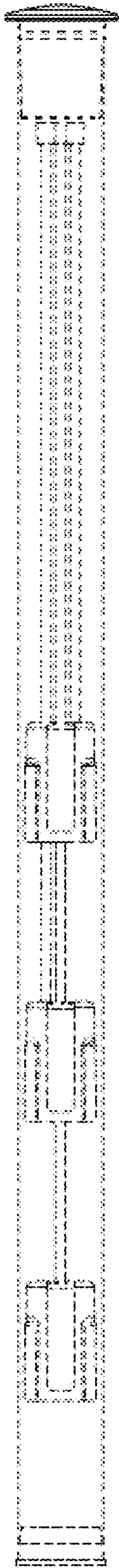


FIG. 7

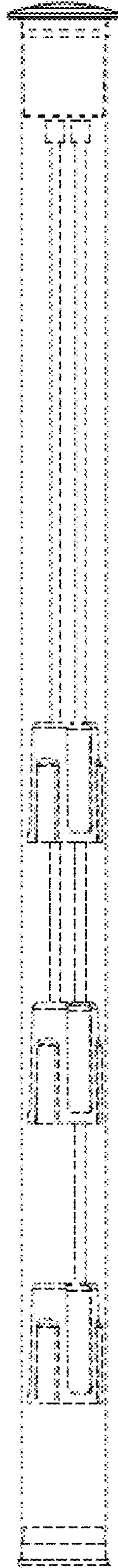
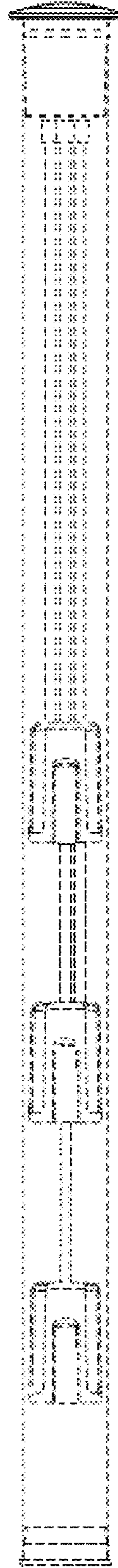


FIG. 8



UNITED STATES PATENT AND TRADEMARK OFFICE  
**CERTIFICATE OF CORRECTION**

PATENT NO. : D782,924 S  
APPLICATION NO. : 29/540453  
DATED : April 4, 2017  
INVENTOR(S) : Tchira et al.

Page 1 of 1

It is certified that error appears in the above-identified patent and that said Letters Patent is hereby corrected as shown below:

On the Title Page

Item (12) "Tchira" should read -- Tchira, et al. --.

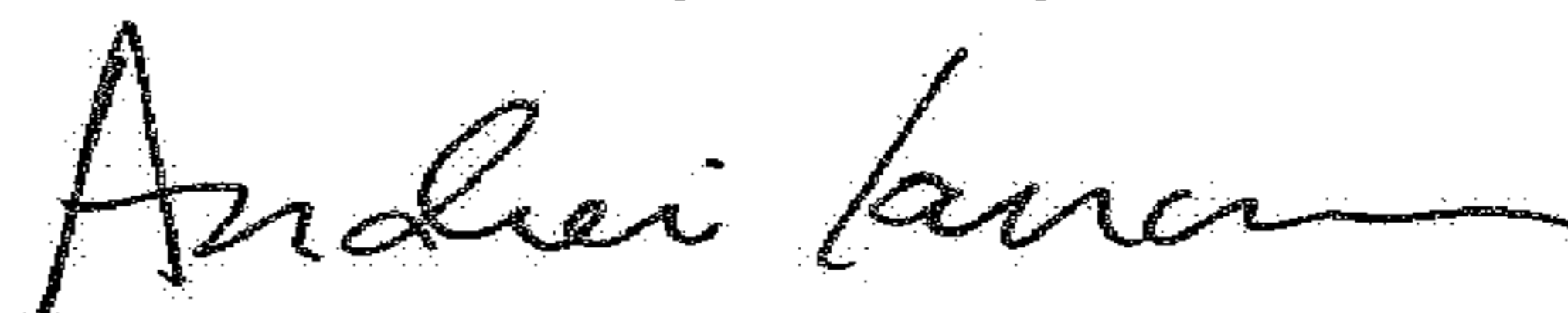
Item (75) Inventor is corrected to read:

-- Harry Tchira, Miami (FL);

Erik Allen Holmen, Sarasota (FL);

Joel Raymond Chartier, Bradenton (FL) --.

Signed and Sealed this  
Third Day of July, 2018



Andrei Iancu

*Director of the United States Patent and Trademark Office*