



US00D782923S

(12) **United States Design Patent**
Belamich

(10) **Patent No.:** **US D782,923 S**

(45) **Date of Patent:** **** Apr. 4, 2017**

(54) **WATCH**

(71) Applicant: **Bell & Ross B.V.**, Zoetermeer (NL)

(72) Inventor: **Bruno Belamich**, Paris (FR)

(73) Assignee: **BELL & ROSS B.V.**, Zoetermeer (NL)

(**) Term: **15 Years**

(21) Appl. No.: **29/535,690**

(22) Filed: **Aug. 10, 2015**

(30) **Foreign Application Priority Data**

Feb. 26, 2015 (WO) 877615901

(51) **LOC (10) Cl.** **10-02**

(52) **U.S. Cl.**
USPC **D10/39**

(58) **Field of Classification Search**
USPC D10/1, 41, 122, 126, 128, 131, 132;
D14/344, 138 R; 368/294
CPC G04B 19/00; G04B 19/06; G04B 39/00;
G04B 39/002; G04B 39/004; G04B
39/006; G04F 7/06; A01G 25/165; B05B
12/02

See application file for complete search history.

(56) **References Cited**

U.S. PATENT DOCUMENTS

D537,371 S * 2/2007 Belamich D10/39
D537,737 S * 3/2007 Galli D10/31

D577,611 S * 9/2008 Lalo D10/32
D578,412 S * 10/2008 Belamich D10/39
D581,814 S * 12/2008 Baer D10/38
D585,769 S * 2/2009 Belamich D10/39
D585,770 S * 2/2009 Belamich D10/39
D588,025 S * 3/2009 Belamich D10/39
D594,352 S * 6/2009 Belamich D10/39
D598,304 S * 8/2009 Belamich D10/39
D601,043 S * 9/2009 Belamich D10/39
D630,530 S * 1/2011 Nunes D10/38
D630,531 S * 1/2011 Nunes D10/38
D635,867 S * 4/2011 Nunes D10/38
D705,671 S * 5/2014 Mijatovic D10/32

* cited by examiner

Primary Examiner — Sandra Snapp

(74) *Attorney, Agent, or Firm* — Volpe and Koenig, P.C.

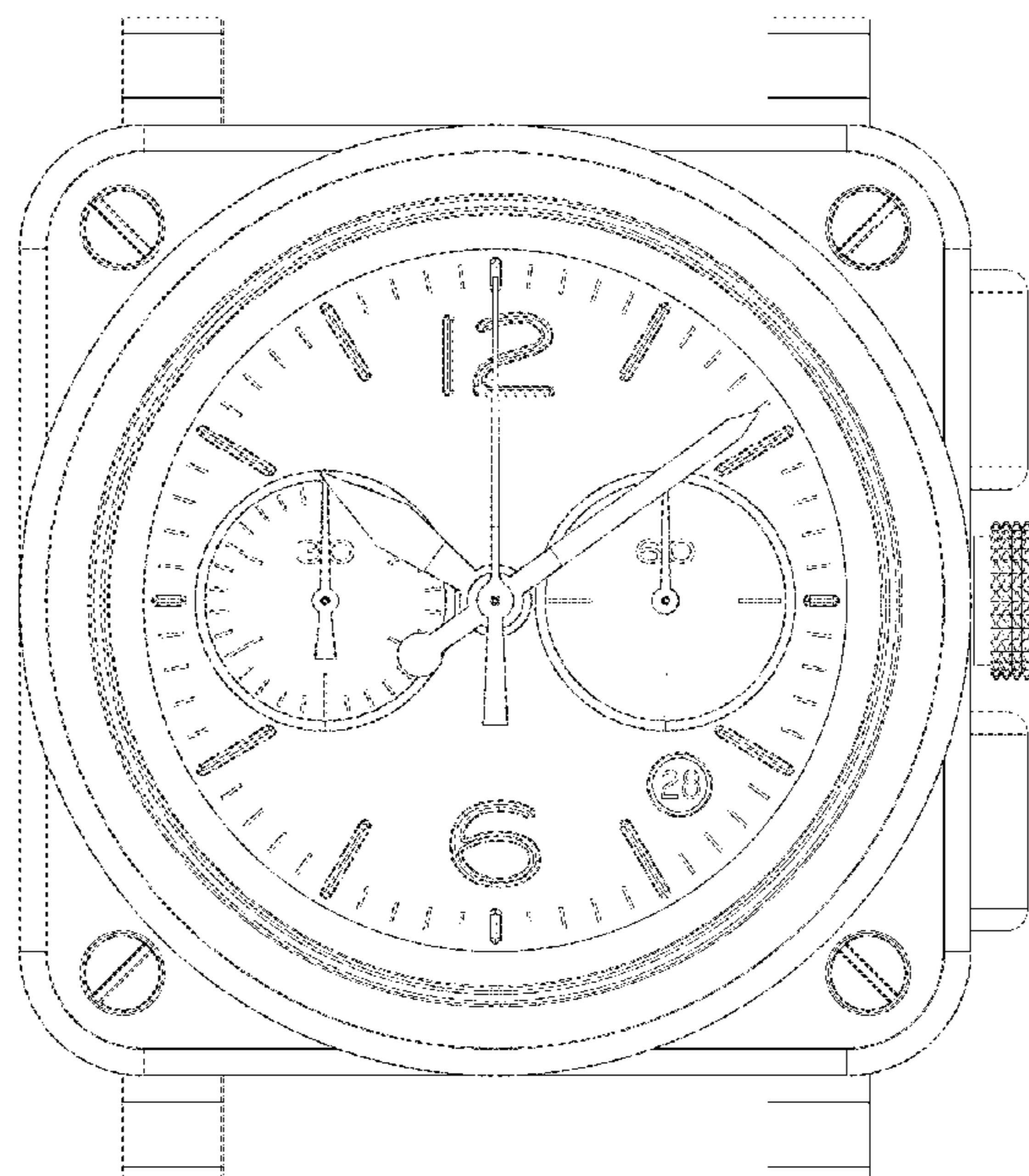
(57) **CLAIM**

The ornamental design for watch, as shown and described.

DESCRIPTION

FIG. 1 is a top plan view;
FIG. 2 is a right elevation view;
FIG. 3 is a front view;
FIG. 4 is a left elevation view;
FIG. 5 is a rear view;
FIG. 6 is a bottom view; and,
FIG. 7 is a front top perspective view.

1 Claim, 7 Drawing Sheets



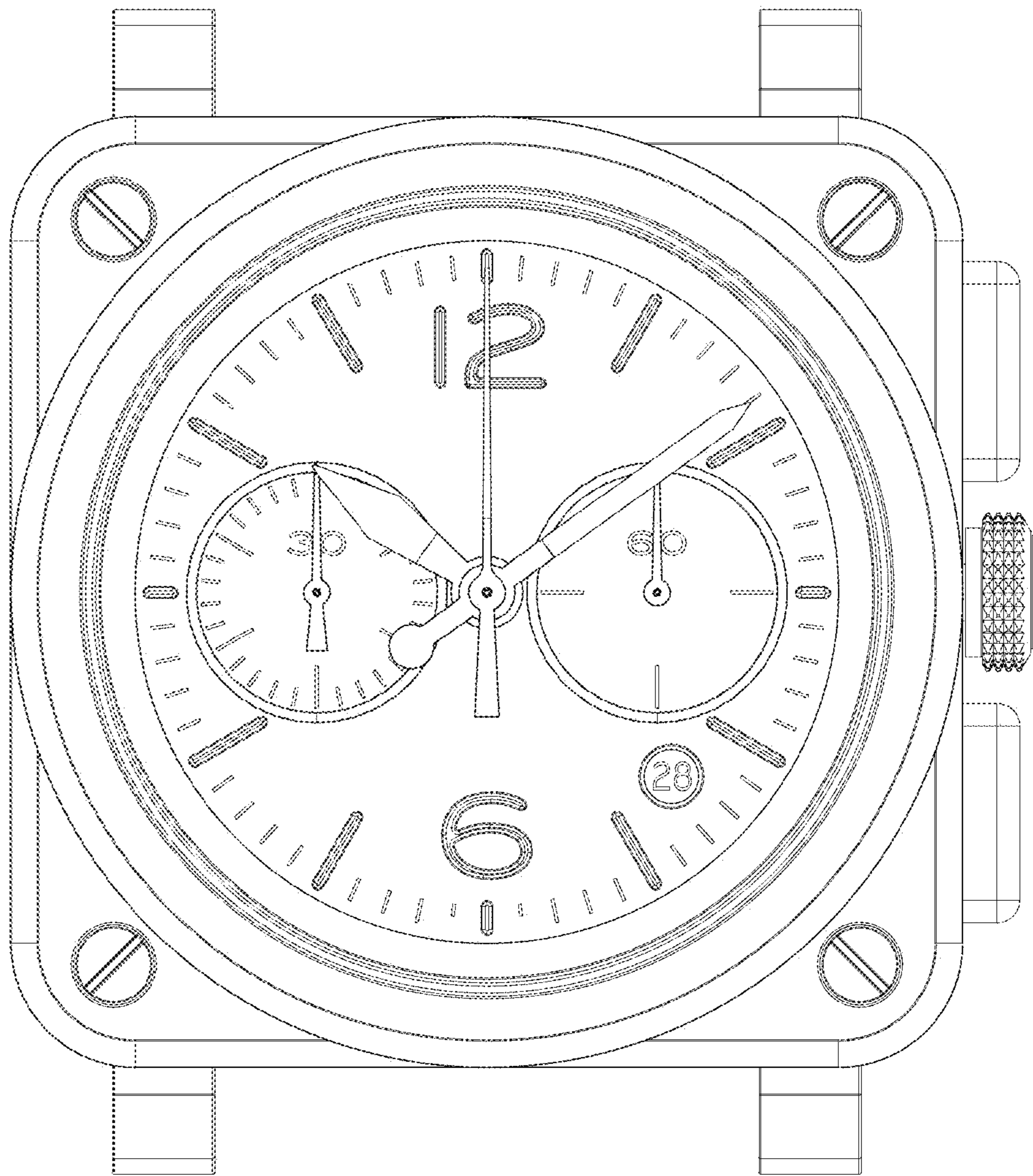


Fig. 1

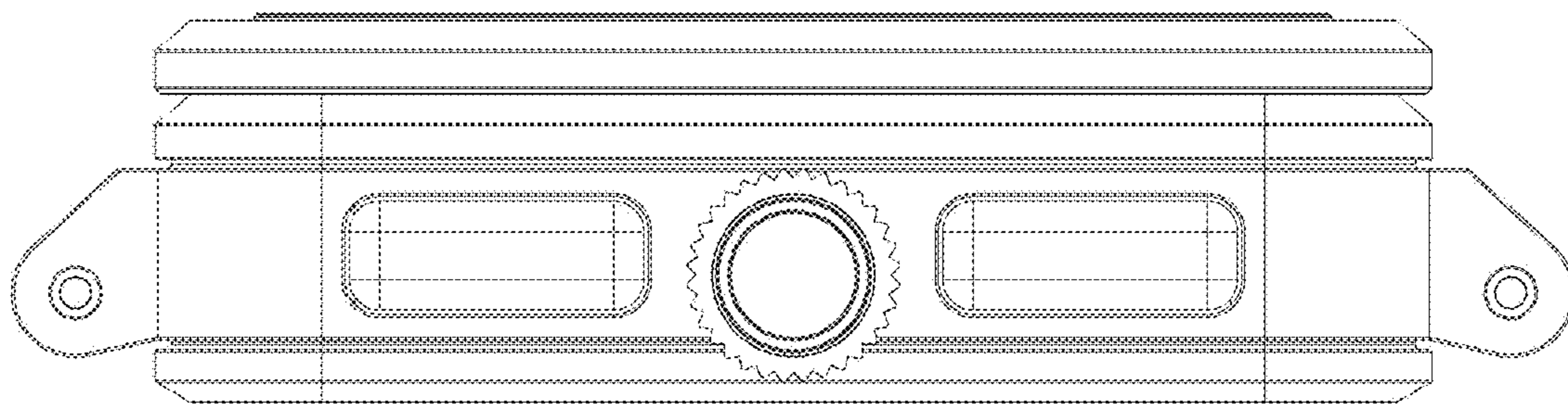


Fig. 2

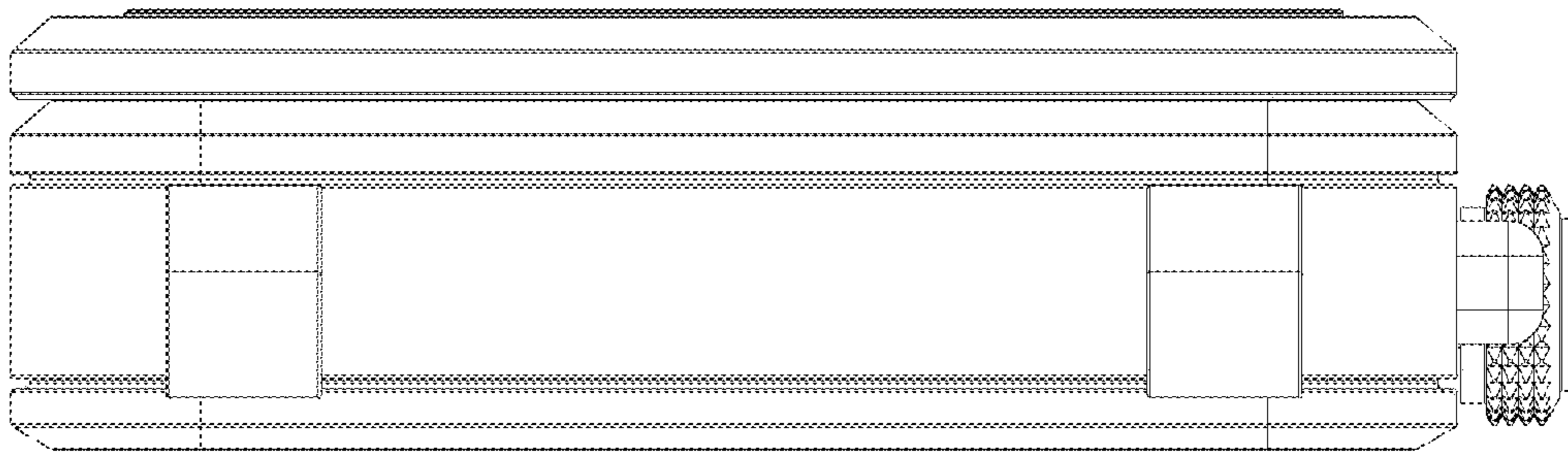


Fig. 3

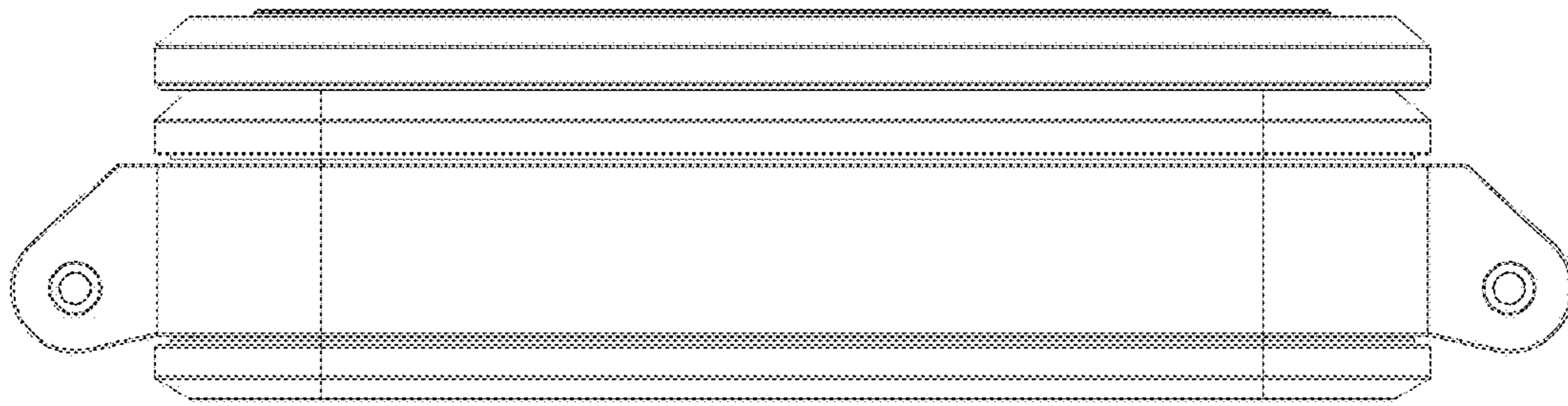


Fig. 4

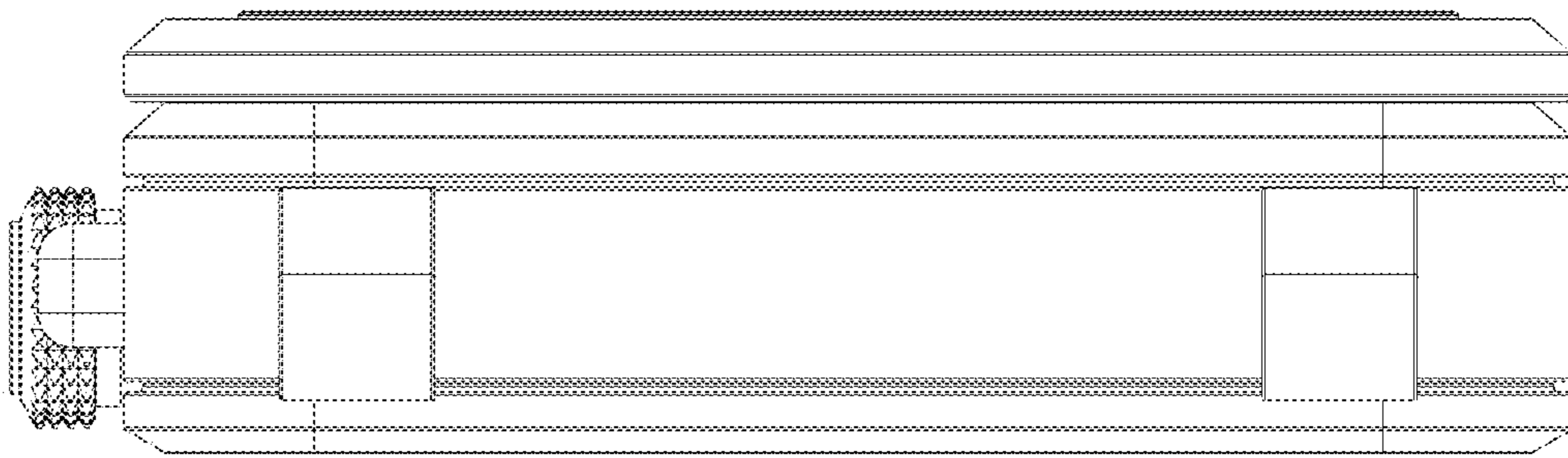


Fig. 5

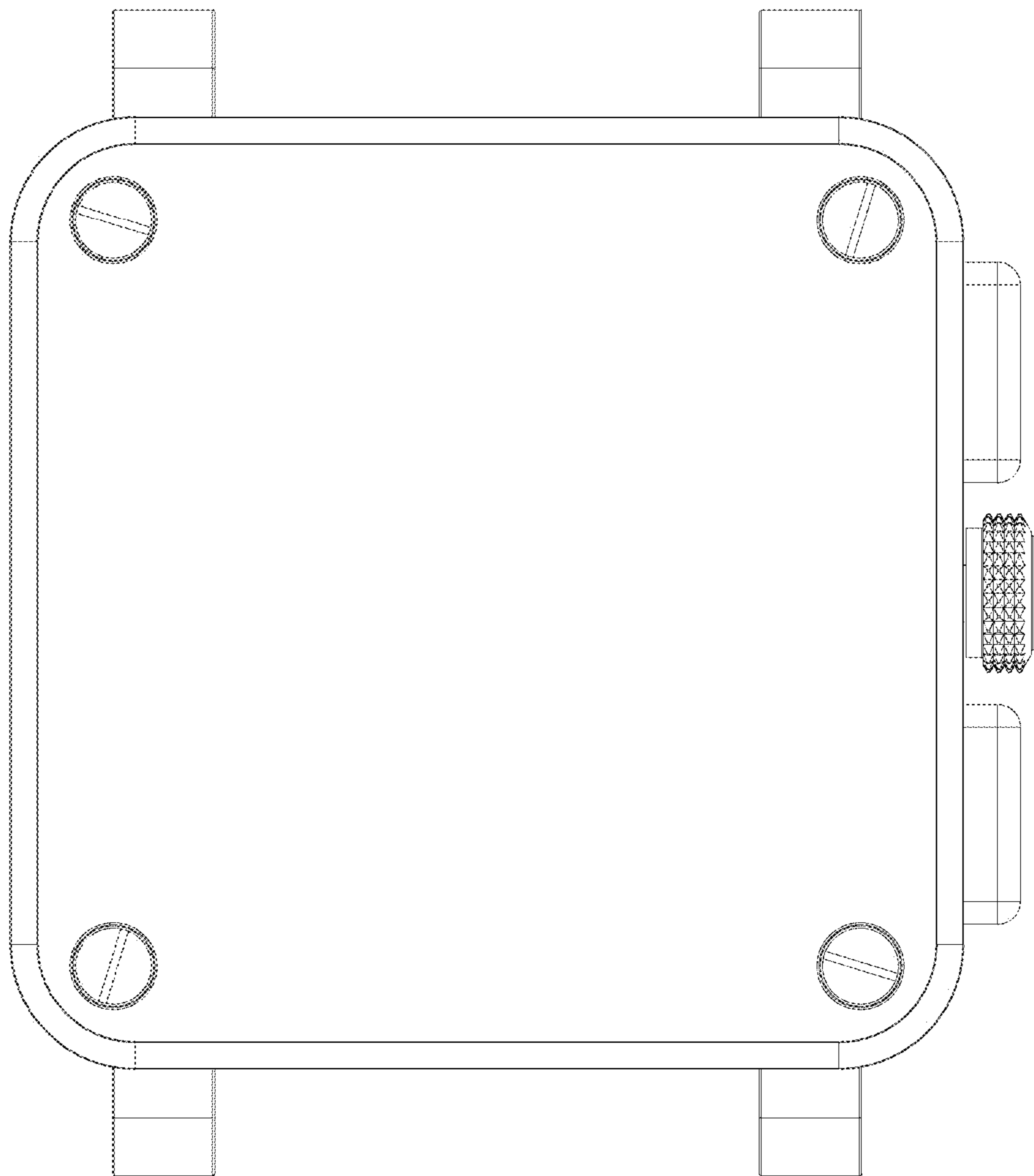


Fig. 6

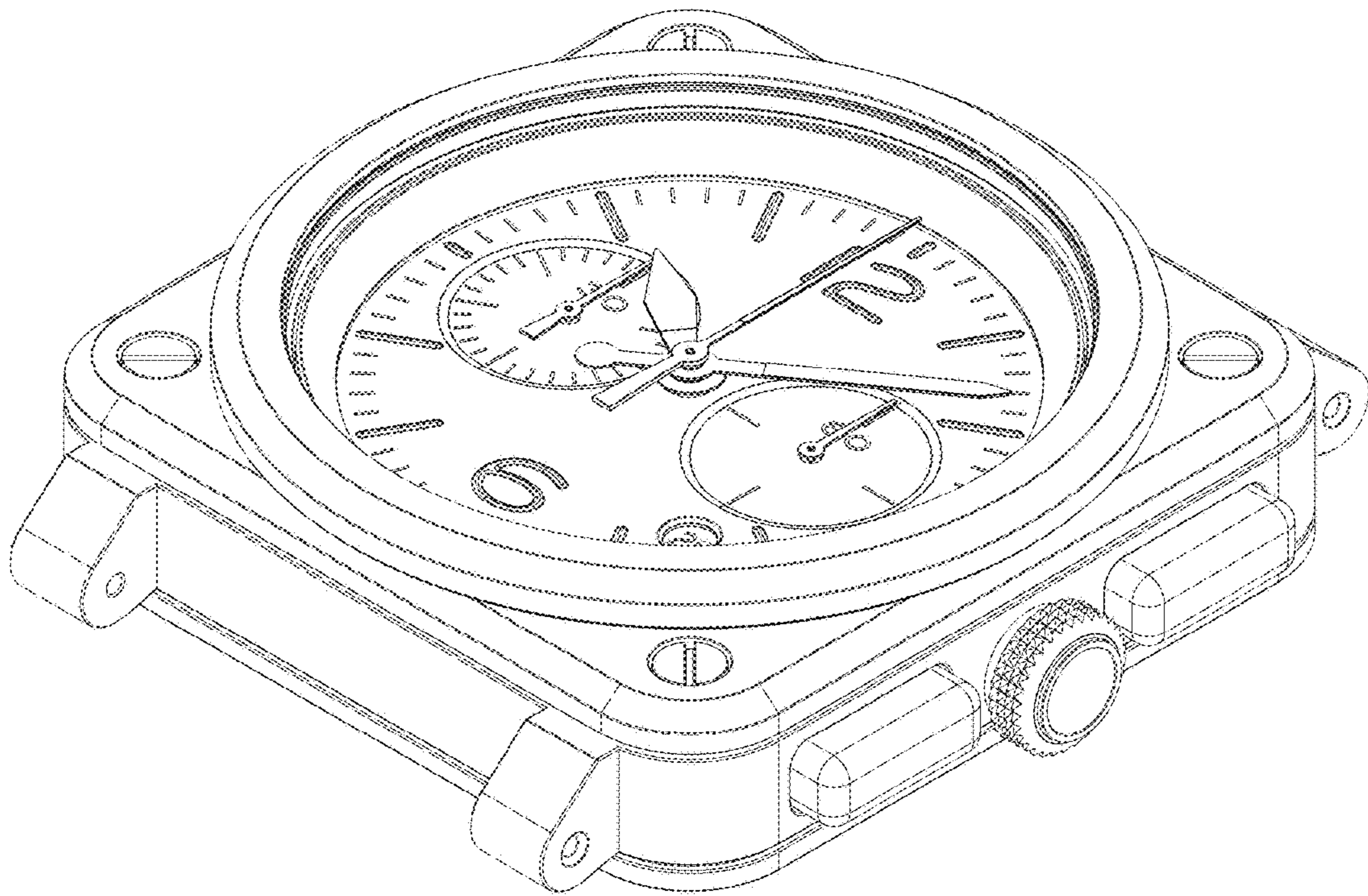


Fig. 7