



US00D782916S

(12) **United States Design Patent**  
**Gutierrez**

(10) **Patent No.:** **US D782,916 S**

(45) **Date of Patent:** **\*\* Apr. 4, 2017**

(54) **CONTAINER**

(71) Applicant: **Jorge Gutierrez**, Chicago, IL (US)

(72) Inventor: **Jorge Gutierrez**, Chicago, IL (US)

(73) Assignees: **Jorge Gutierrez**, Chicago, IL (US);  
**NANTONG LITAI JIANGLONG**  
**FOOD CO., LTD**, Nantong (CN)

(\*\*) Term: **15 Years**

(21) Appl. No.: **29/554,281**

(22) Filed: **Feb. 10, 2016**

(51) **LOC (10) Cl.** ..... **09-01**

(52) **U.S. Cl.**  
USPC ..... **D9/677; D21/541**

(58) **Field of Classification Search**  
USPC ..... D9/600, 672, 676-677, 516; 206/457,  
206/494, 459.5, 527, 540; 229/116.1;  
215/381-384, 400; D7/514-516, 539,  
D7/544, 571, 579, 604, 613, 619.2,  
D7/628-630, 391-392.1; D3/202,  
D3/270-271.12; D21/541  
CPC ..... B65D 67/00; B65D 81/36; B65D 81/60;  
B65D 81/368; B65D 2203/00; B65D  
2203/02; A63H 33/16  
See application file for complete search history.

(56) **References Cited**

**U.S. PATENT DOCUMENTS**

D46,293 S \* 8/1914 Rowland ..... D9/676  
D115,533 S \* 7/1939 Stough ..... D9/677

D289,537 S \* 4/1987 Leung ..... D21/541  
D354,311 S \* 1/1995 Tarozzi ..... D21/541  
D392,460 S \* 3/1998 Hung ..... D3/271.11  
D425,946 S \* 5/2000 Wei ..... D21/541  
D436,145 S \* 1/2001 Chan ..... D21/541  
D533,907 S \* 12/2006 Yuen ..... D21/541  
D631,295 S \* 1/2011 Kushner ..... D21/541  
D679,761 S \* 4/2013 Nava ..... D21/541

\* cited by examiner

*Primary Examiner* — Sandra Morris

(74) *Attorney, Agent, or Firm* — Egbert Law Offices,  
PLLC

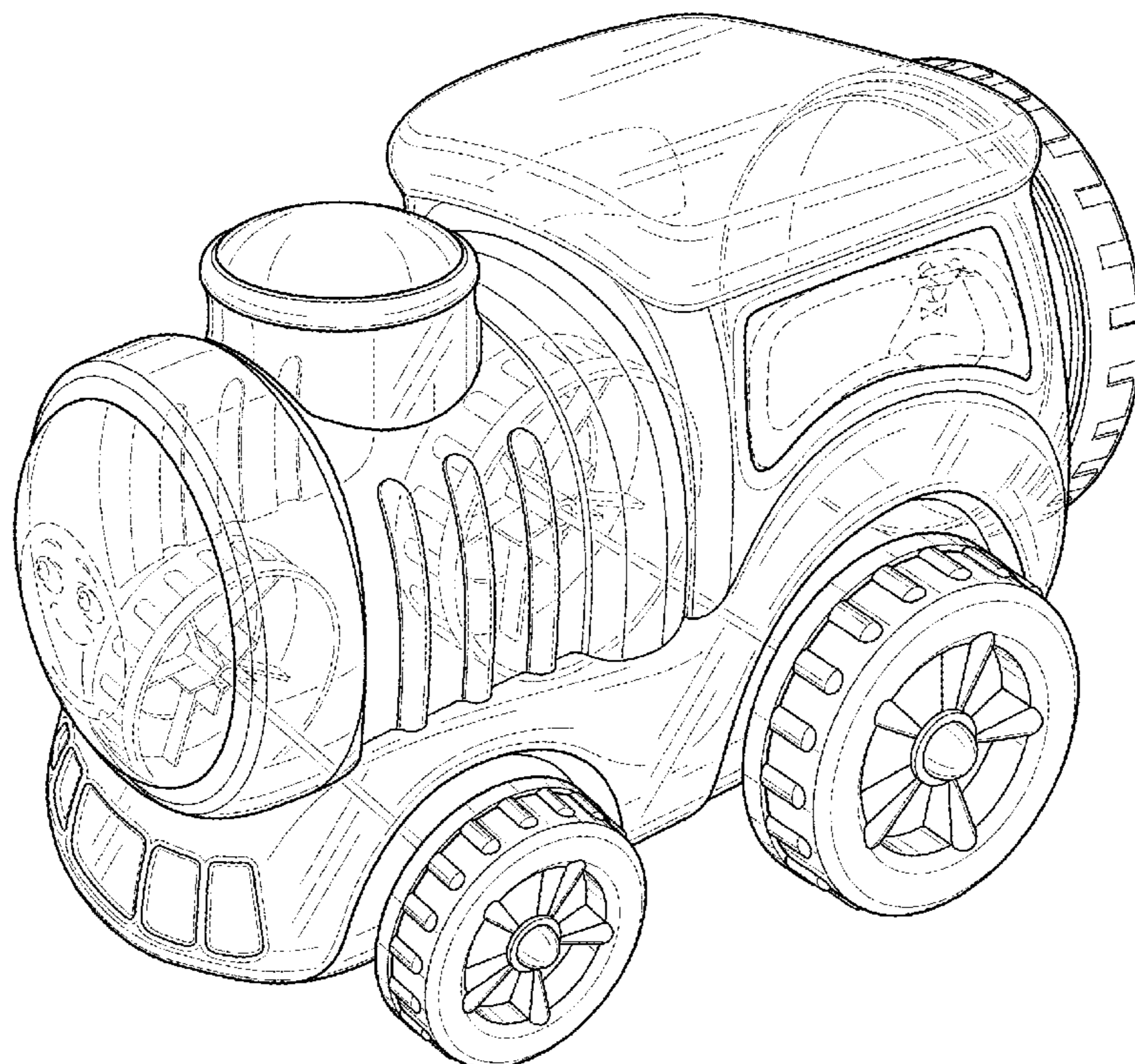
(57) **CLAIM**

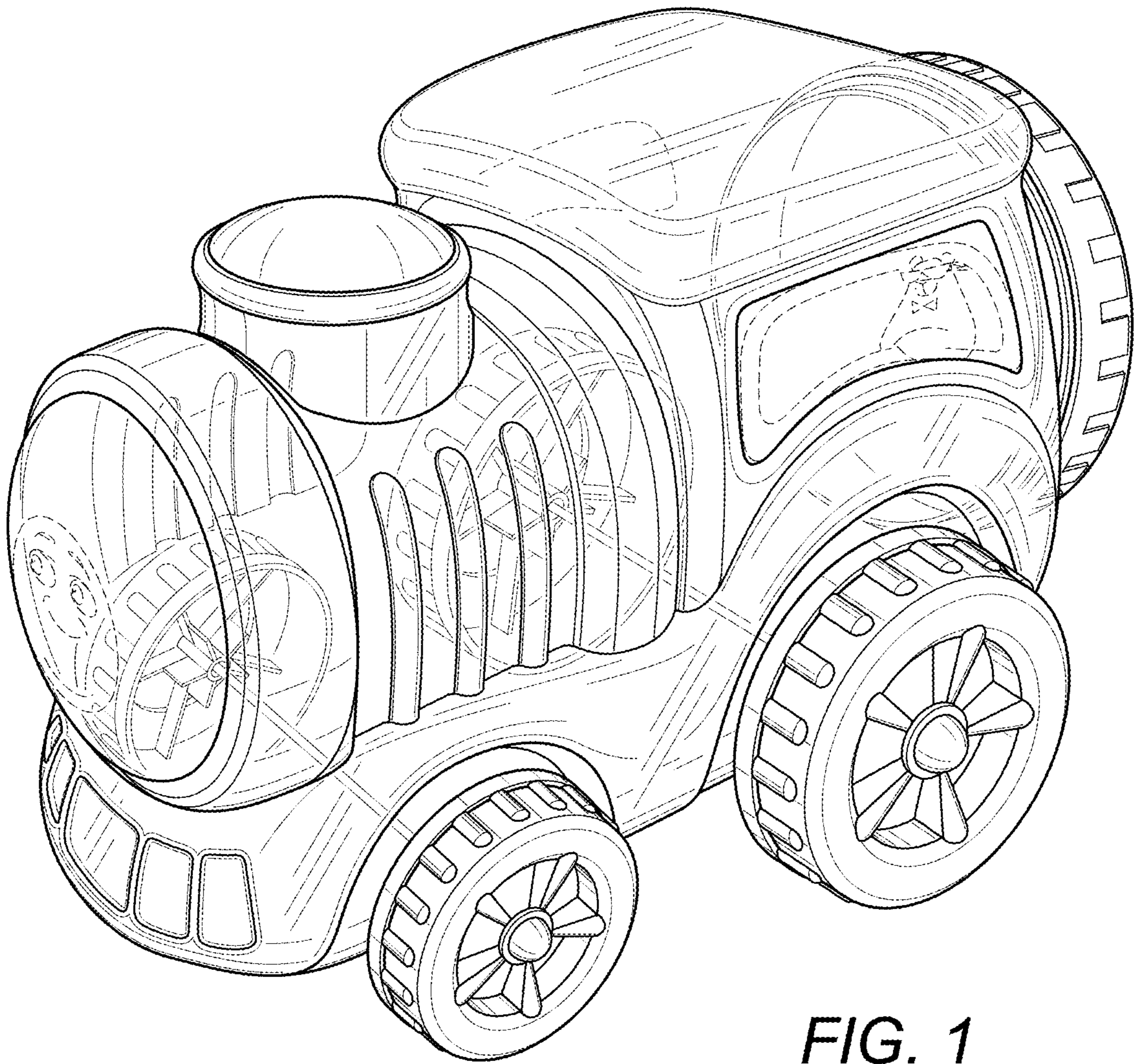
The ornamental design for a container, as shown and described.

**DESCRIPTION**

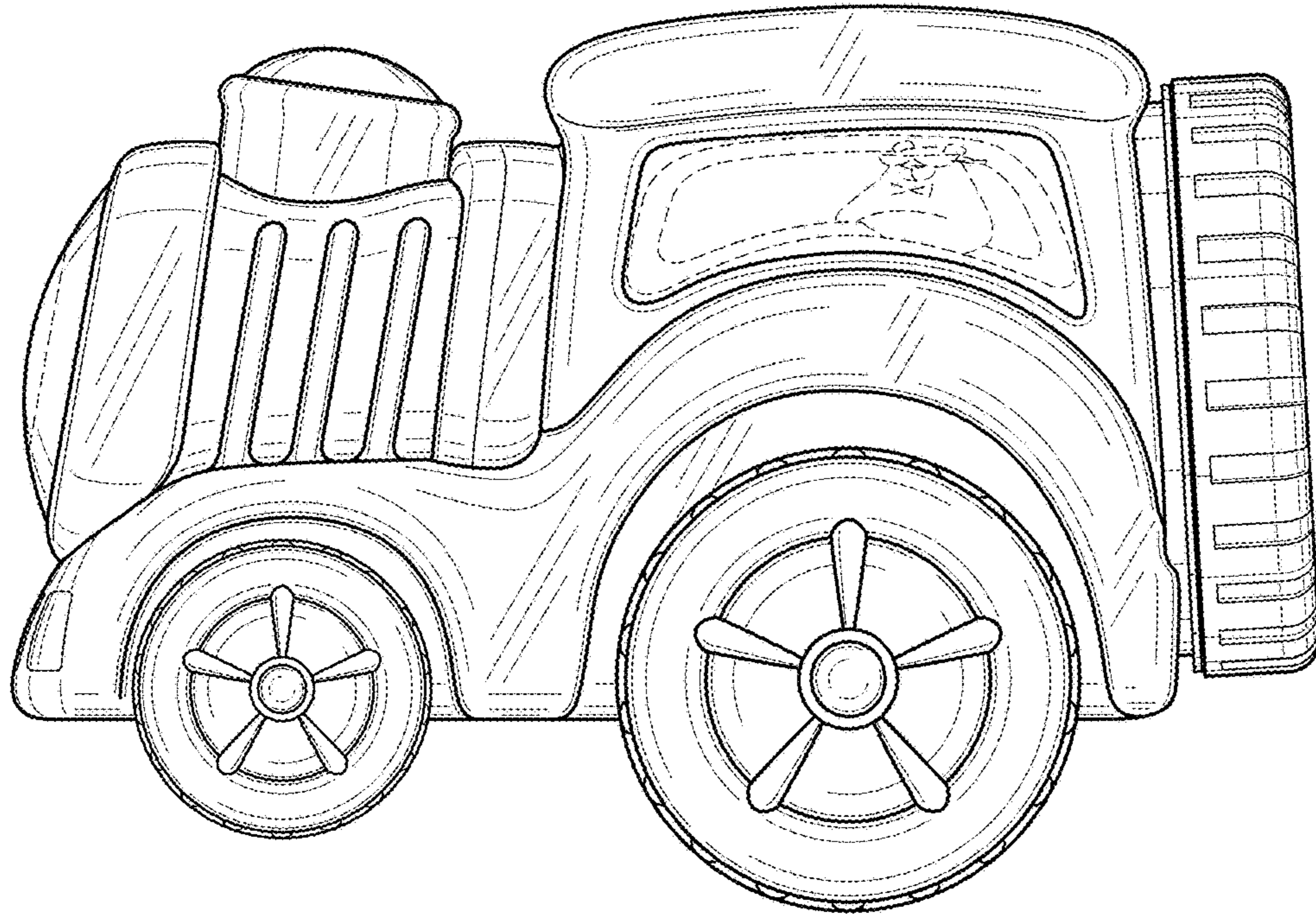
FIG. 1 is a perspective view of a container showing my new design.  
FIG. 2 is a side view thereof;  
FIG. 3 is an opposite side view thereof;  
FIG. 4 is a front view thereof;  
FIG. 5 is a rear view thereof;  
FIG. 6 is a top view thereof; and,  
FIG. 7 is a bottom view thereof.  
The surface ornamentation presented in broken lines represents unclaimed portions of the container and forms no part of the claimed design.

**1 Claim, 4 Drawing Sheets**

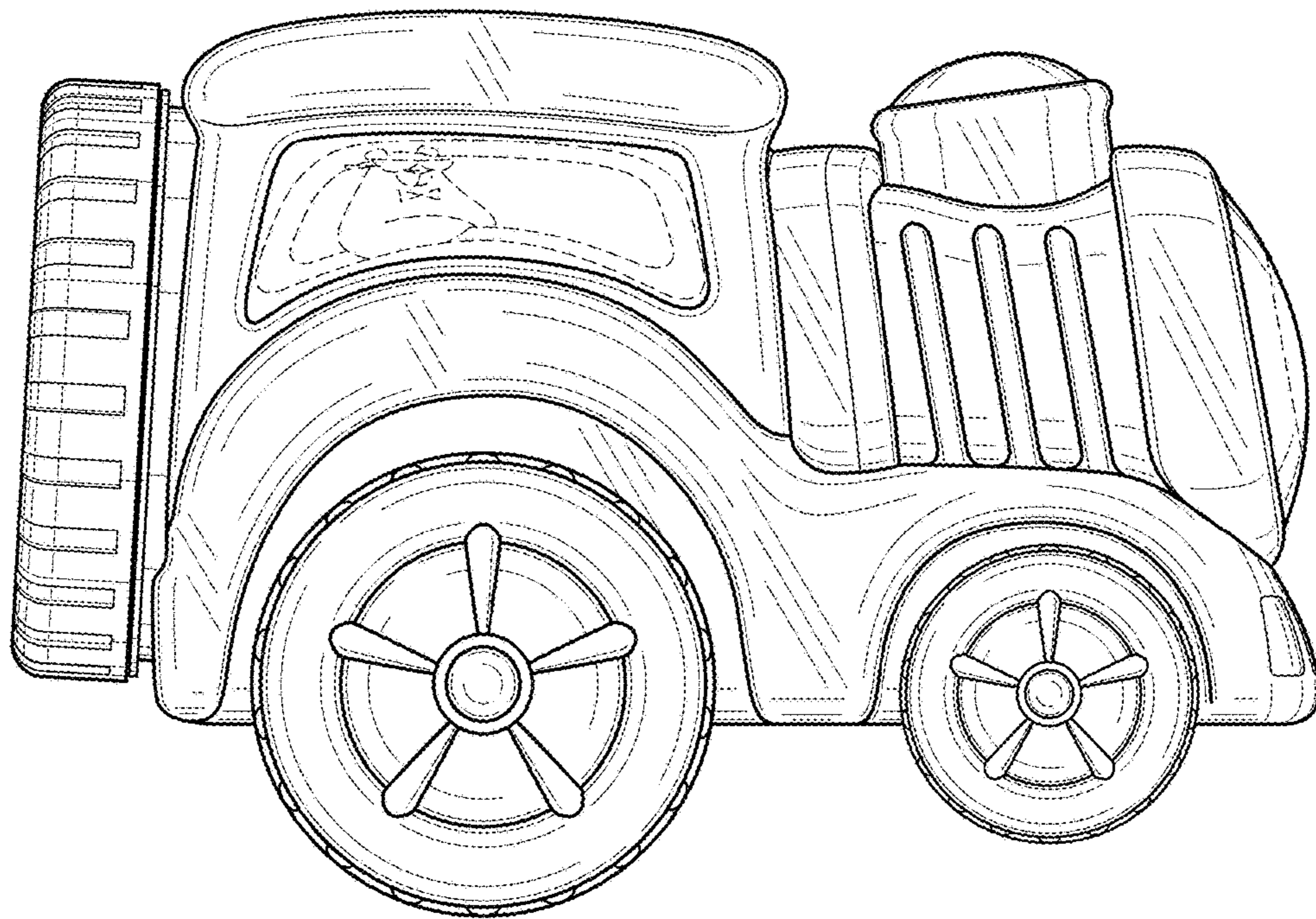




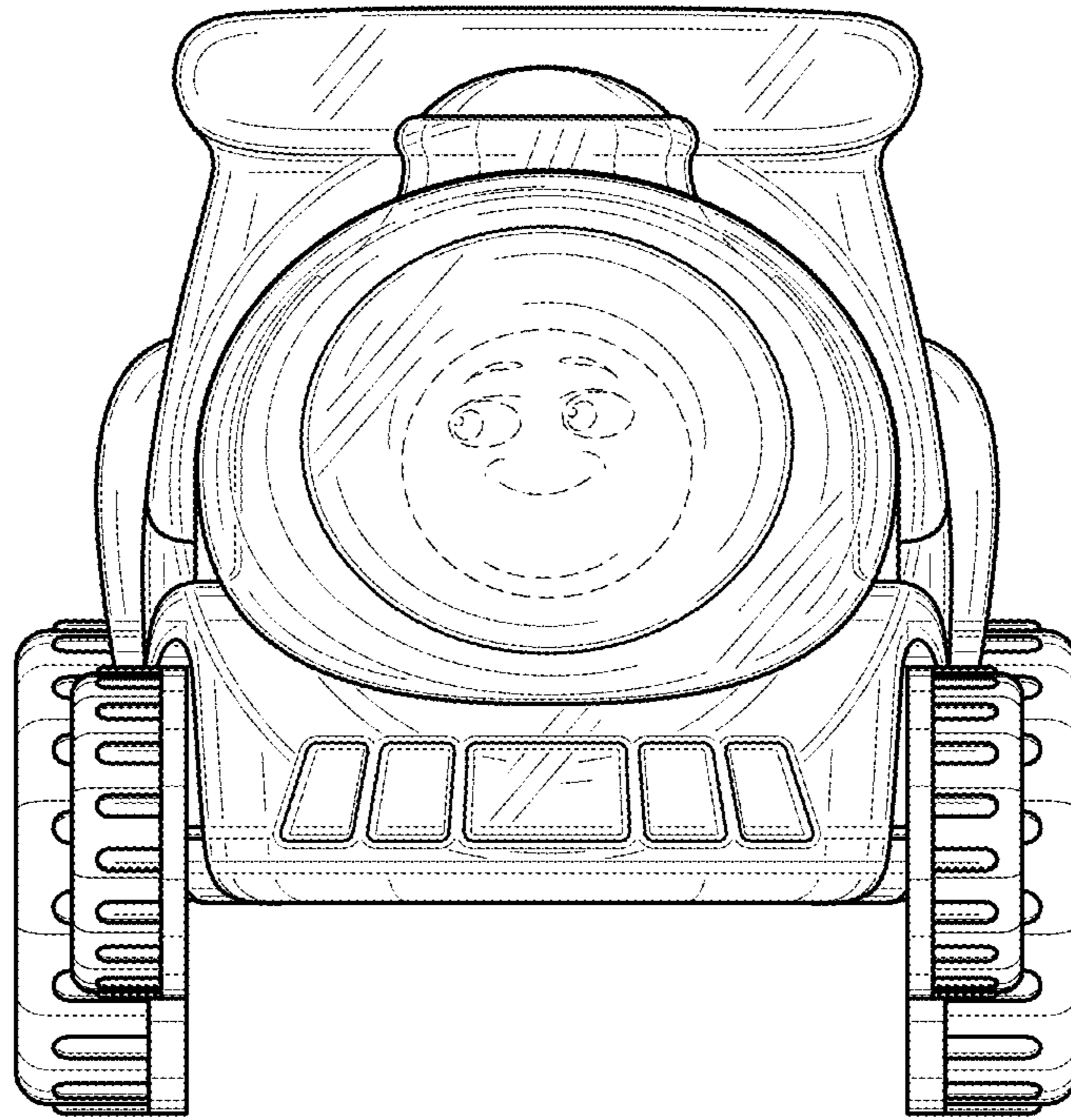
**FIG. 1**



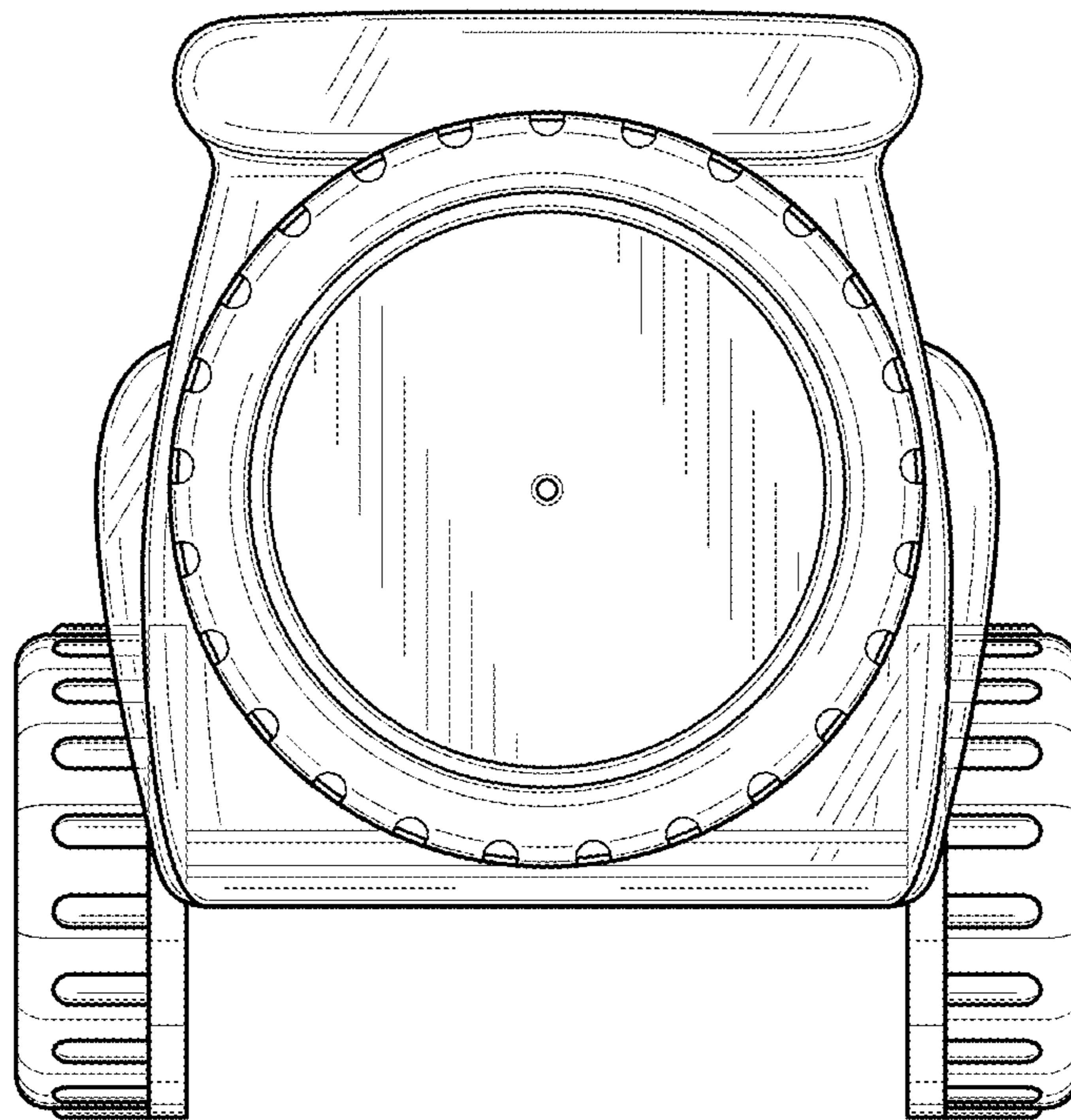
*FIG. 2*



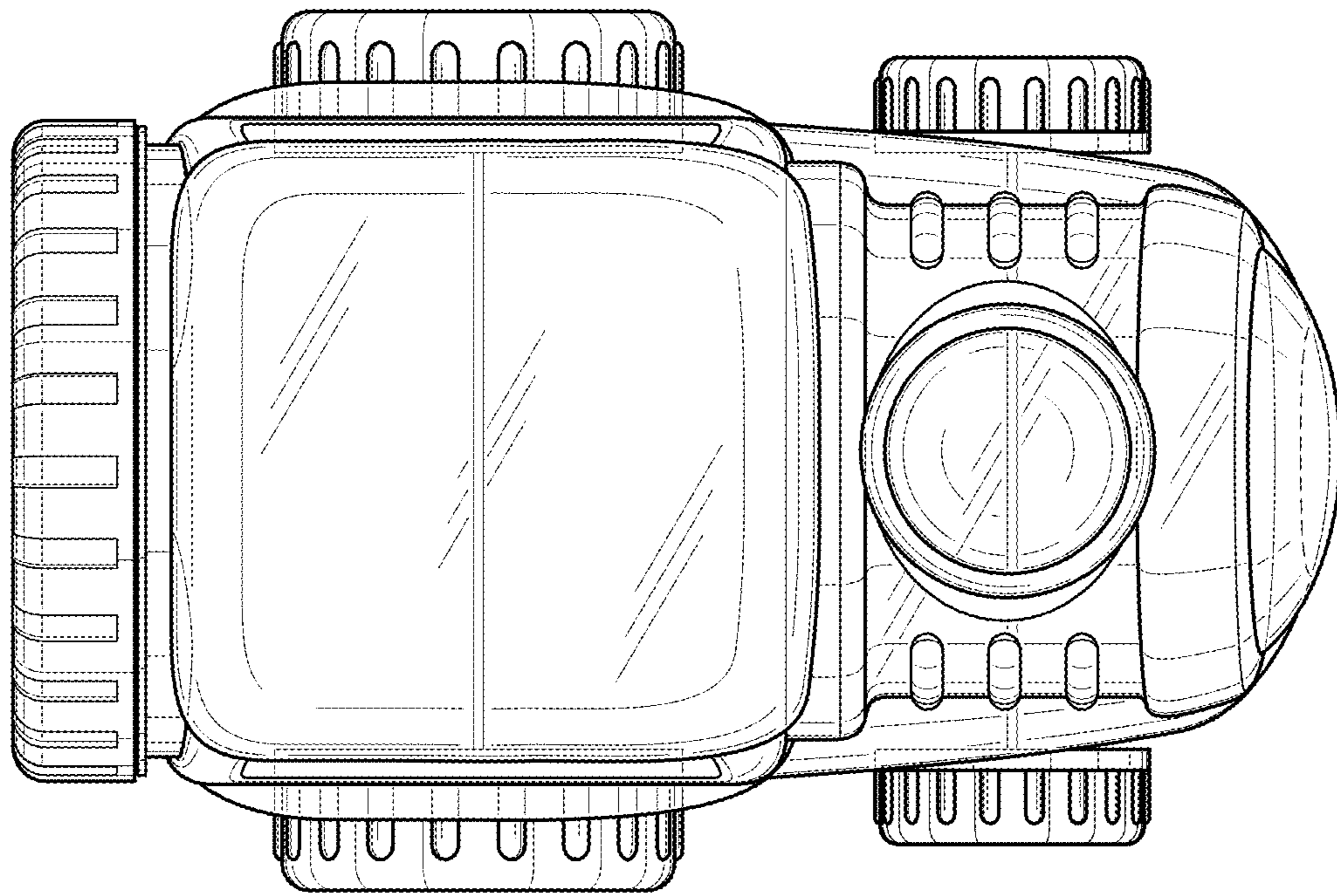
*FIG. 3*



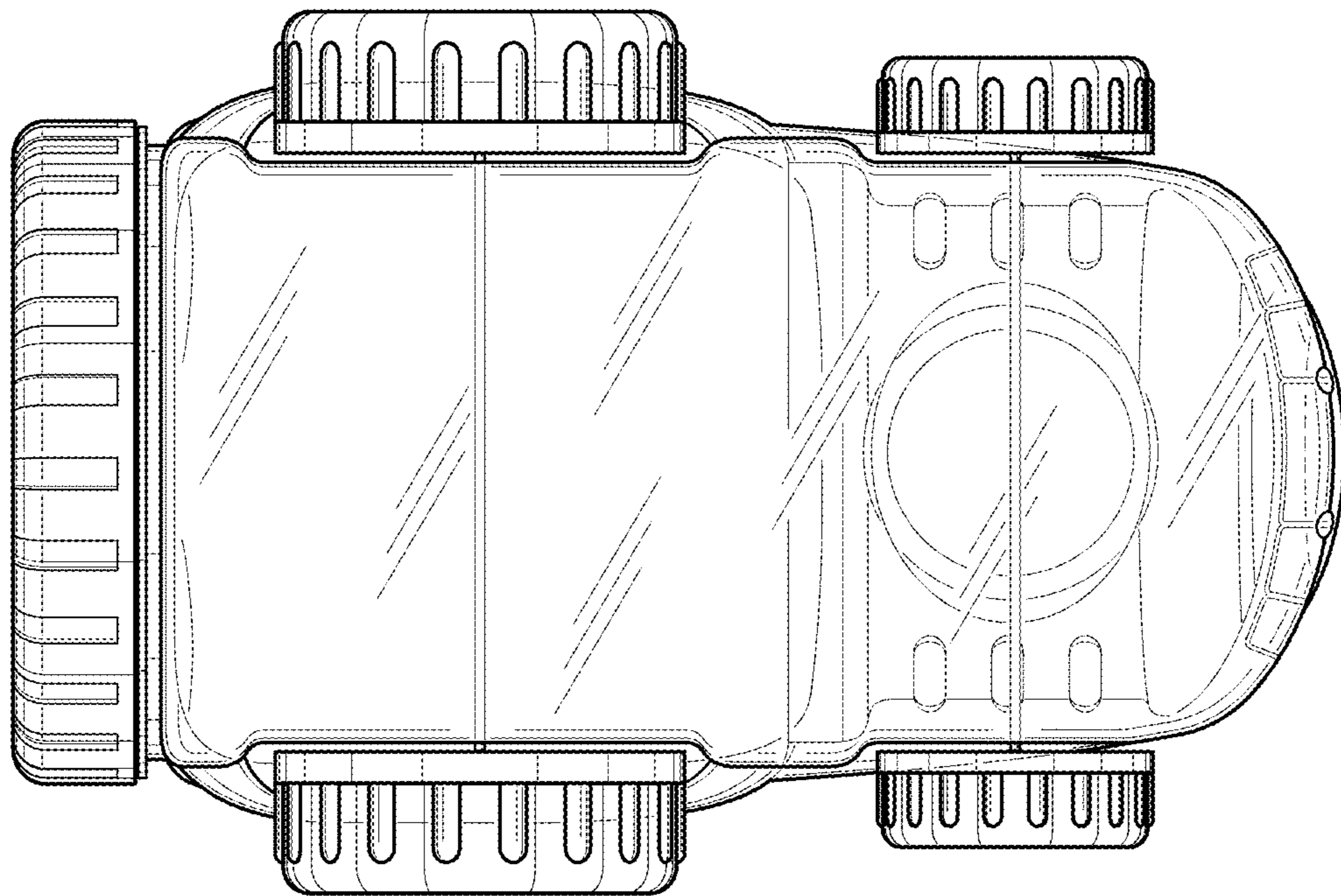
*FIG. 4*



*FIG. 5*



*FIG. 6*



*FIG. 7*