



US00D782915S

(12) **United States Design Patent**
Gutierrez

(10) **Patent No.:** **US D782,915 S**

(45) **Date of Patent:** **** Apr. 4, 2017**

(54) **CONTAINER**

(71) Applicant: **Jorge Gutierrez**, Chicago, IL (US)

(72) Inventor: **Jorge Gutierrez**, Chicago, IL (US)

(73) Assignees: **Jorge Gutierrez**, Chicago, IL (US);
NANTONG LITAI JIANLONG
FOOD CO., LTD, Nantong (CN)

(**) Term: **15 Years**

(21) Appl. No.: **29/554,288**

(22) Filed: **Feb. 10, 2016**

(51) **LOC (10) Cl.** **09-01**

(52) **U.S. Cl.**
USPC **D9/675; D21/548**

(58) **Field of Classification Search**
USPC D9/600, 672, 675-677, 516; 206/457,
206/494, 459.5, 527, 540; 229/116.1;
215/381-384, 400; D7/514-516, 539,
D7/544, 571, 579, 604, 613, 619.2,
D7/628-630, 391-392.1; D3/202,
D3/270-271.12; D21/548, 552
CPC B65D 67/00; B65D 81/36; B65D 81/60;
B65D 81/368; B65D 2203/00; B65D
2203/02; A63H 33/16

See application file for complete search history.

(56) **References Cited**

U.S. PATENT DOCUMENTS

D275,873 S * 10/1984 Manning D21/548
D275,874 S * 10/1984 Manning D21/548

D350,066 S * 8/1994 Silva D9/676
D362,788 S * 10/1995 Hartman D21/548
D410,776 S * 6/1999 Aganian D3/271.12
D439,152 S * 3/2001 Davis D9/676
D517,729 S * 3/2006 Angeletta D9/675
D524,039 S * 7/2006 Guenther D3/270
D530,087 S * 10/2006 Sofy D3/271.12
D533,606 S * 12/2006 Kaminski D21/548
D591,611 S * 5/2009 Wilburn D21/549
D623,397 S * 9/2010 Cooper D9/675
D624,313 S * 9/2010 Mitchell D3/271.12

* cited by examiner

Primary Examiner — Sandra Morris

(74) *Attorney, Agent, or Firm* — Egbert Law Offices,
PLLC

(57) **CLAIM**

The ornamental design for a container, as shown and described.

DESCRIPTION

FIG. 1 is a perspective view of a container showing my new design.

FIG. 2 is a side view thereof;

FIG. 3 is an opposite side view thereof;

FIG. 4 is a front view thereof;

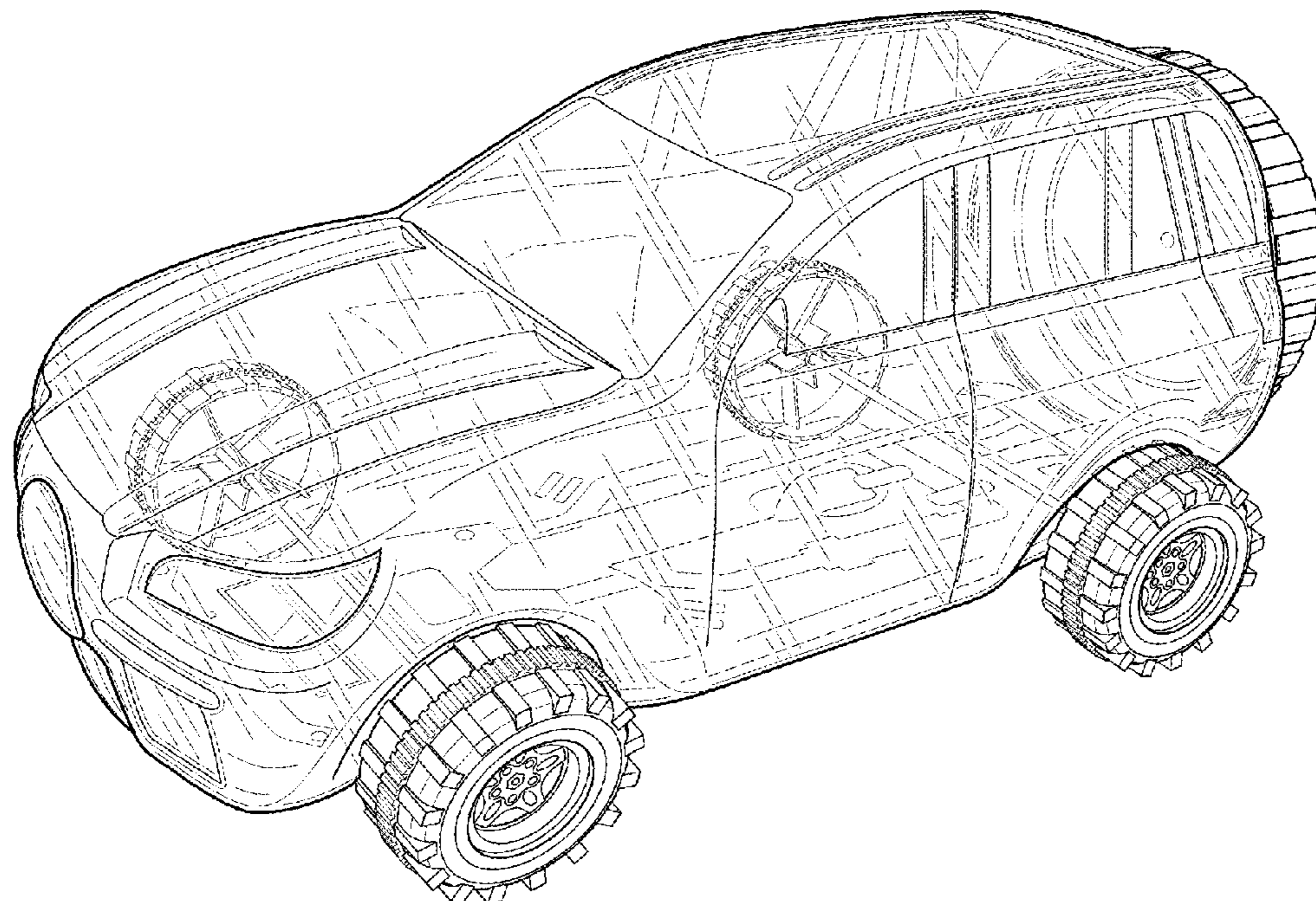
FIG. 5 is a rear view thereof;

FIG. 6 is a top view thereof; and,

FIG. 7 is a bottom view thereof.

The surface ornamentation presented in broken lines represents unclaimed portions of the container and forms no part of the claimed design.

1 Claim, 4 Drawing Sheets



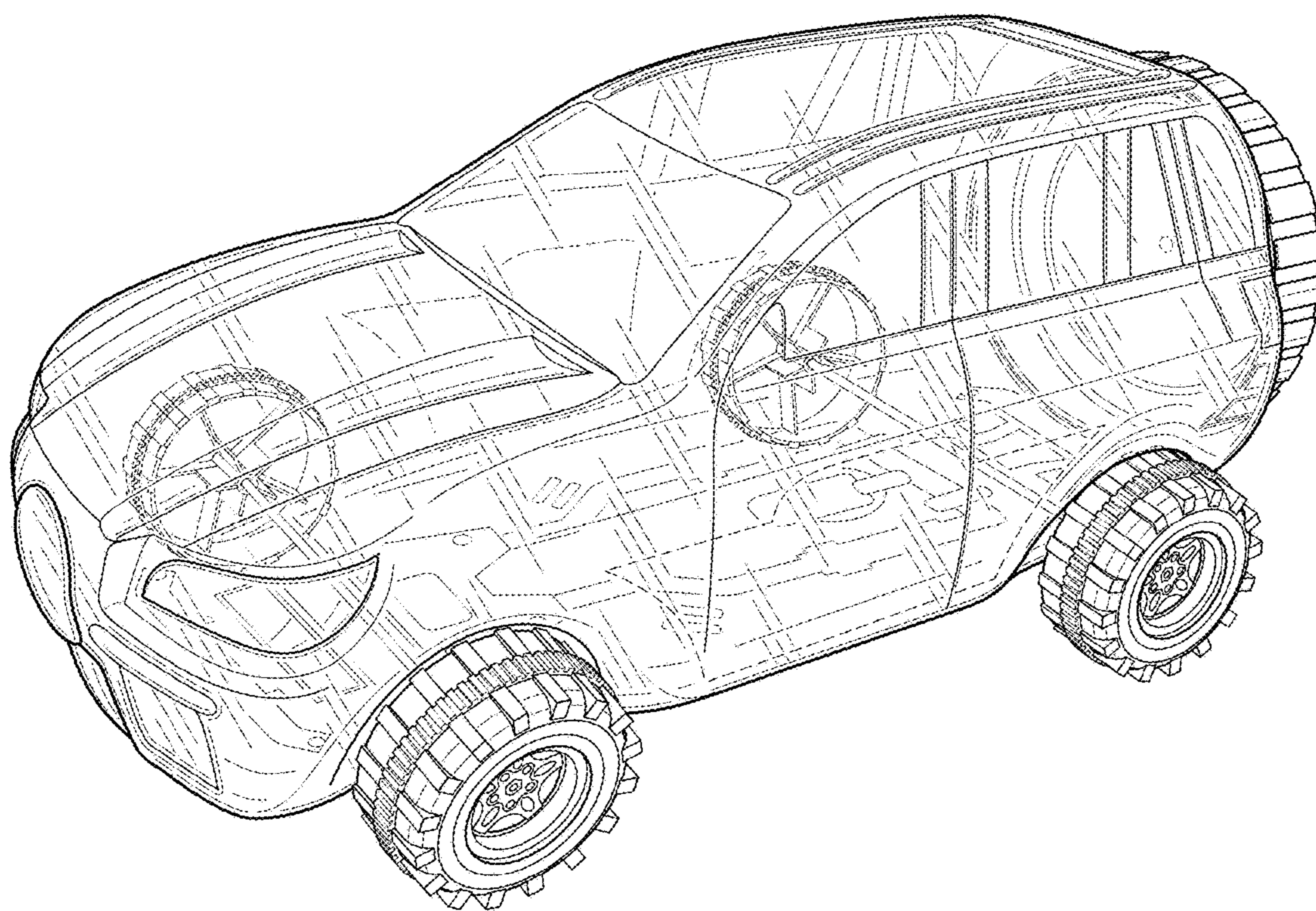


FIG. 1

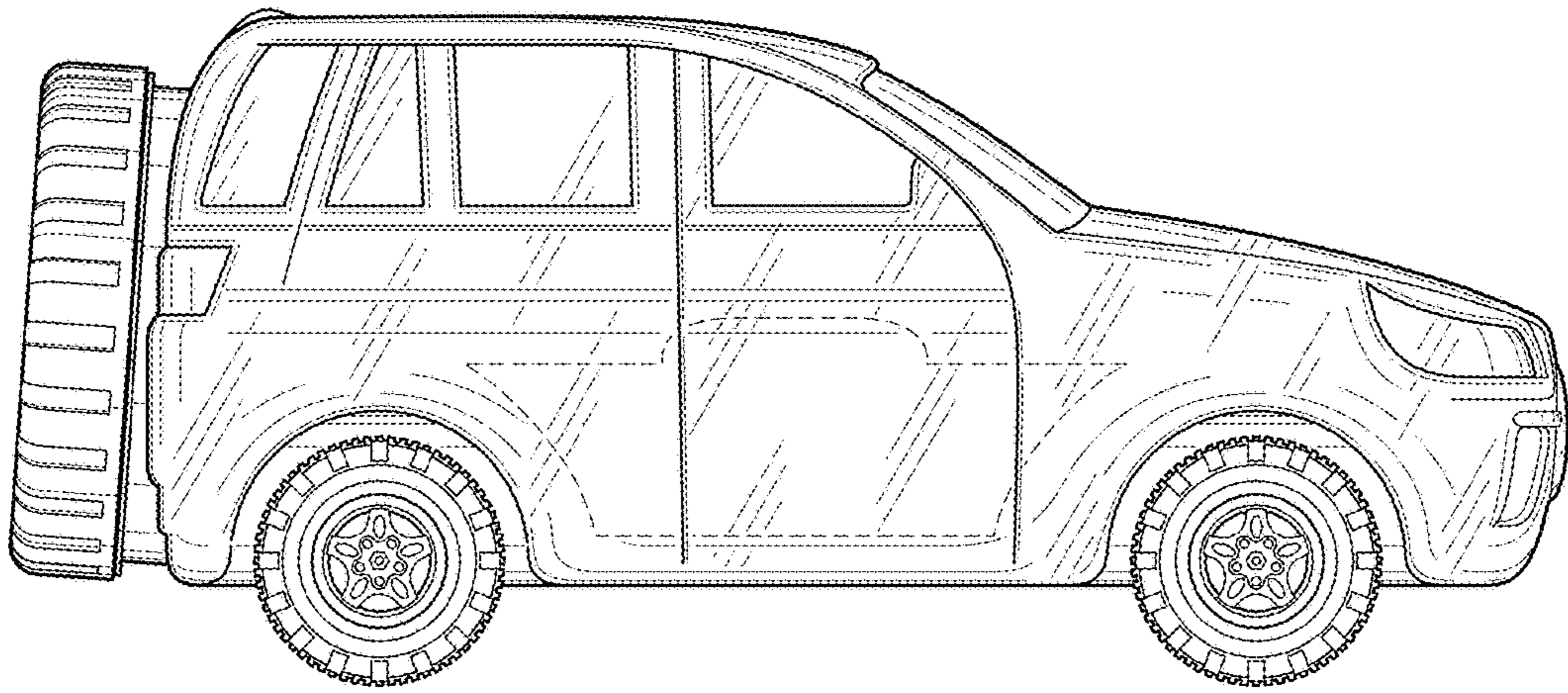


FIG. 2

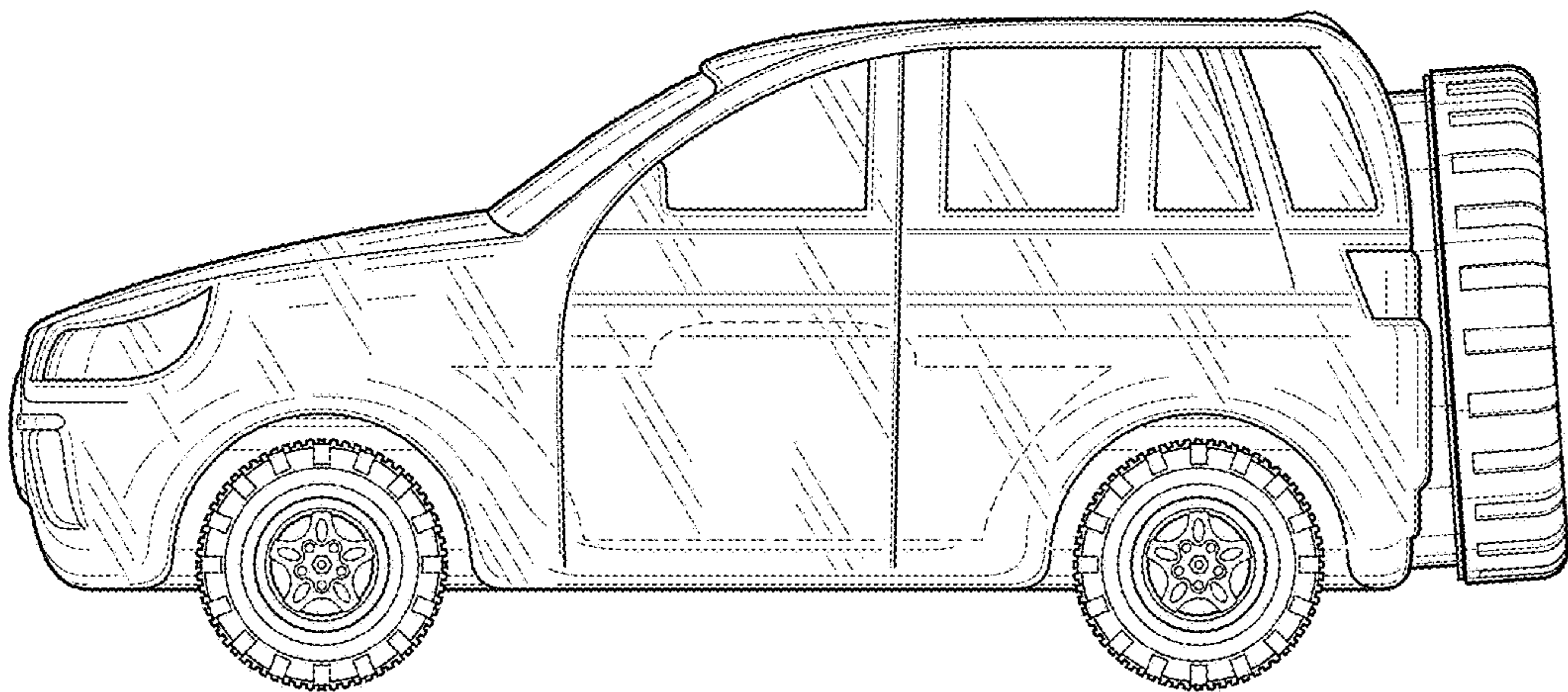


FIG. 3

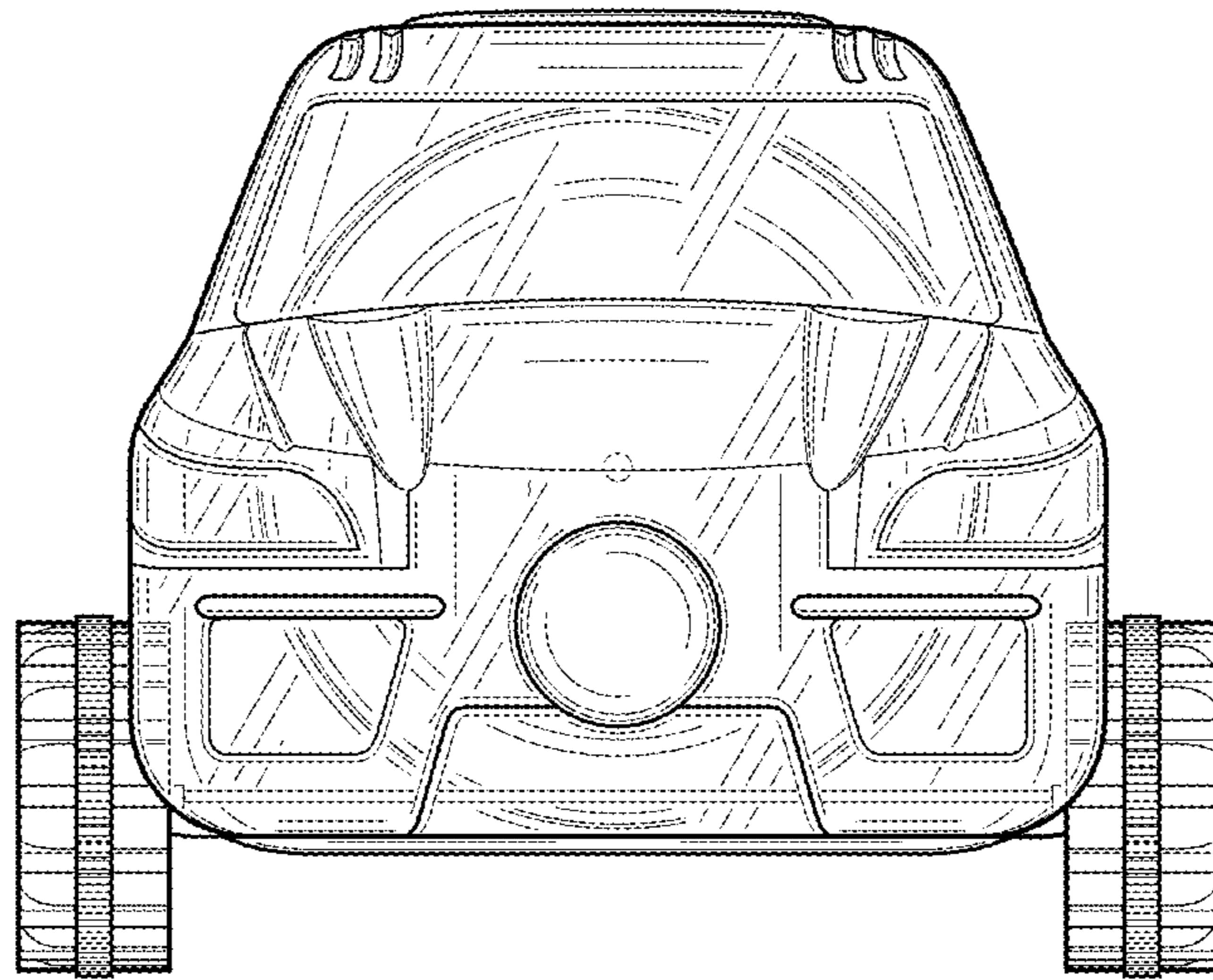


FIG. 4

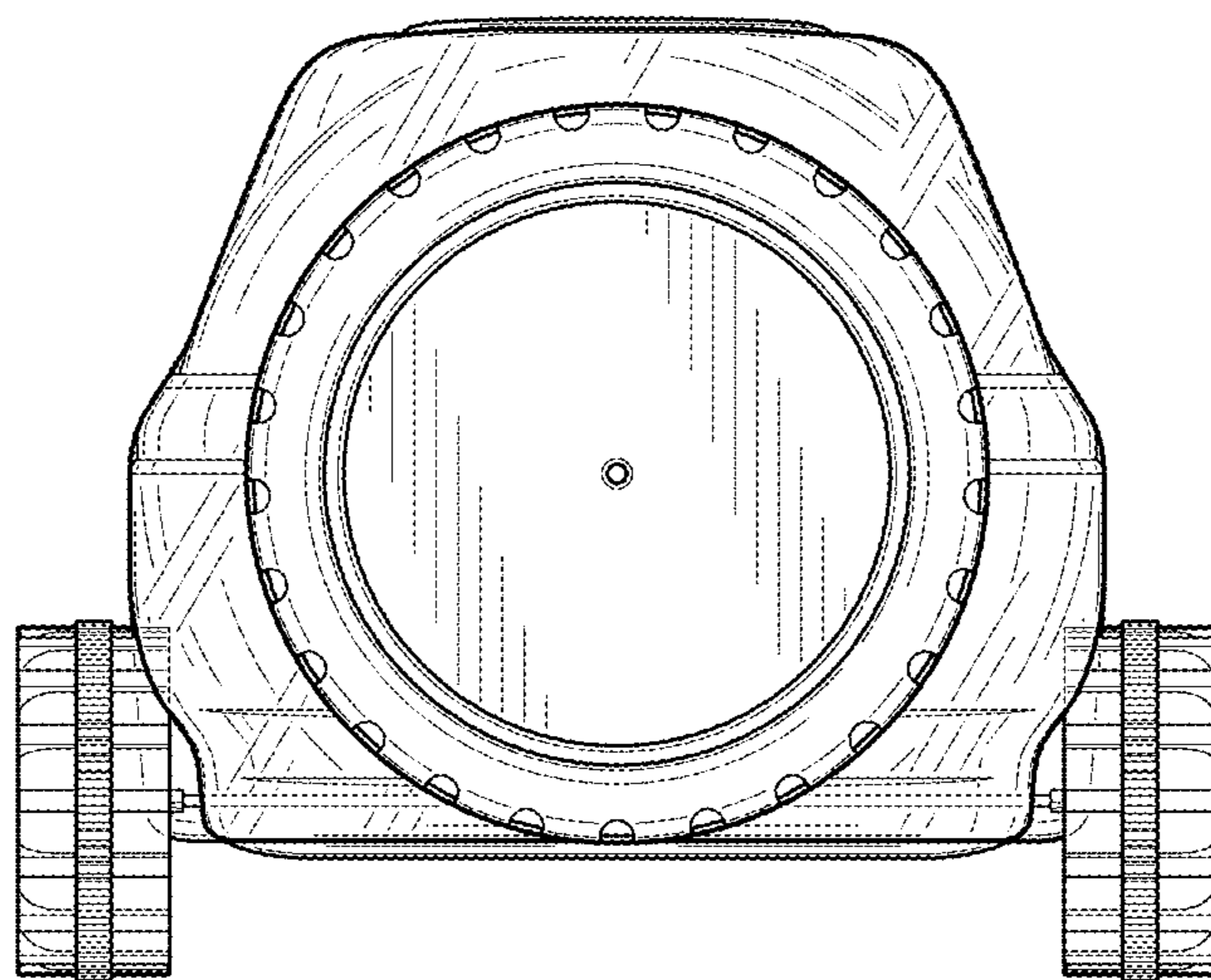


FIG. 5

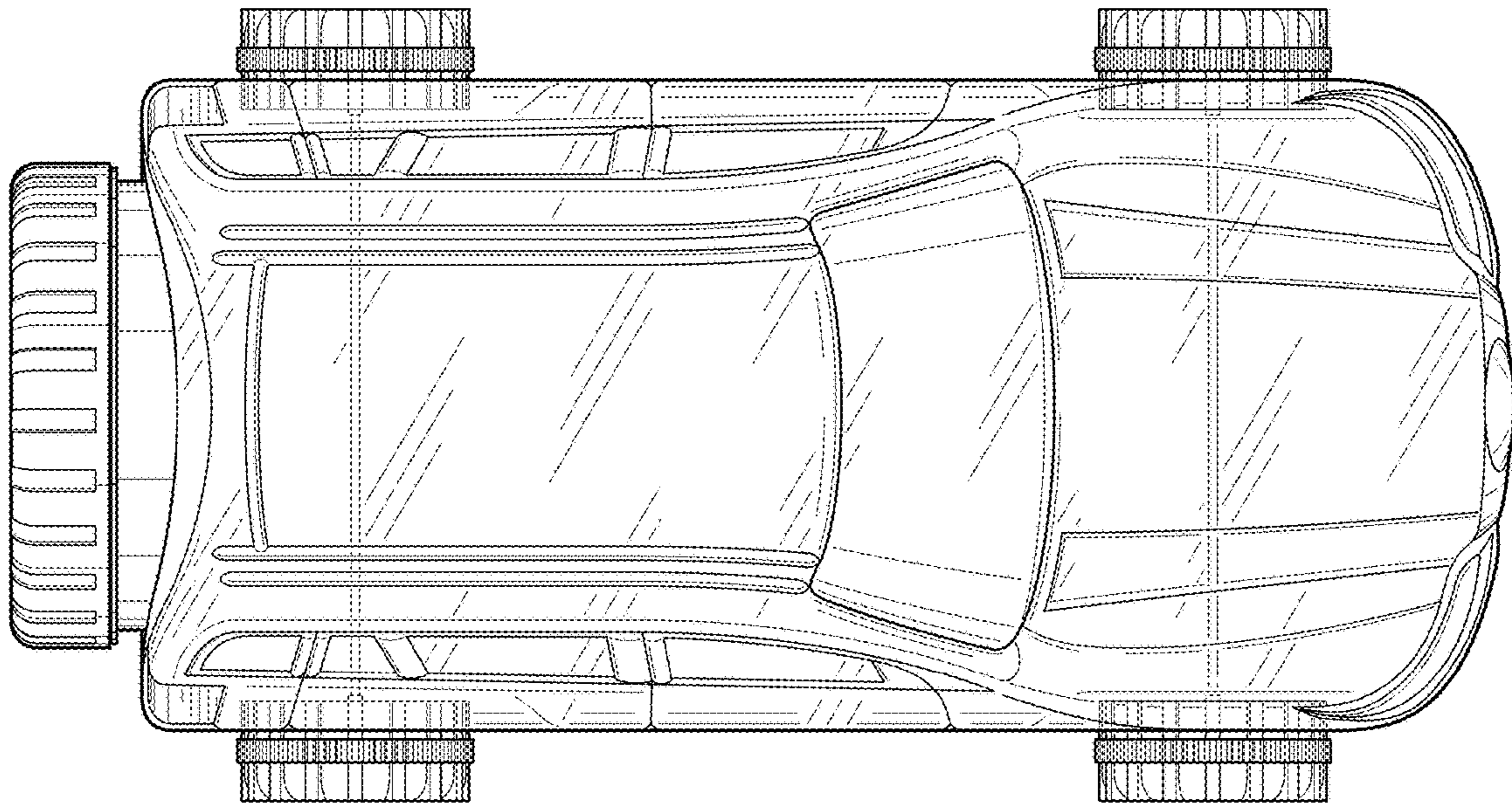


FIG. 6

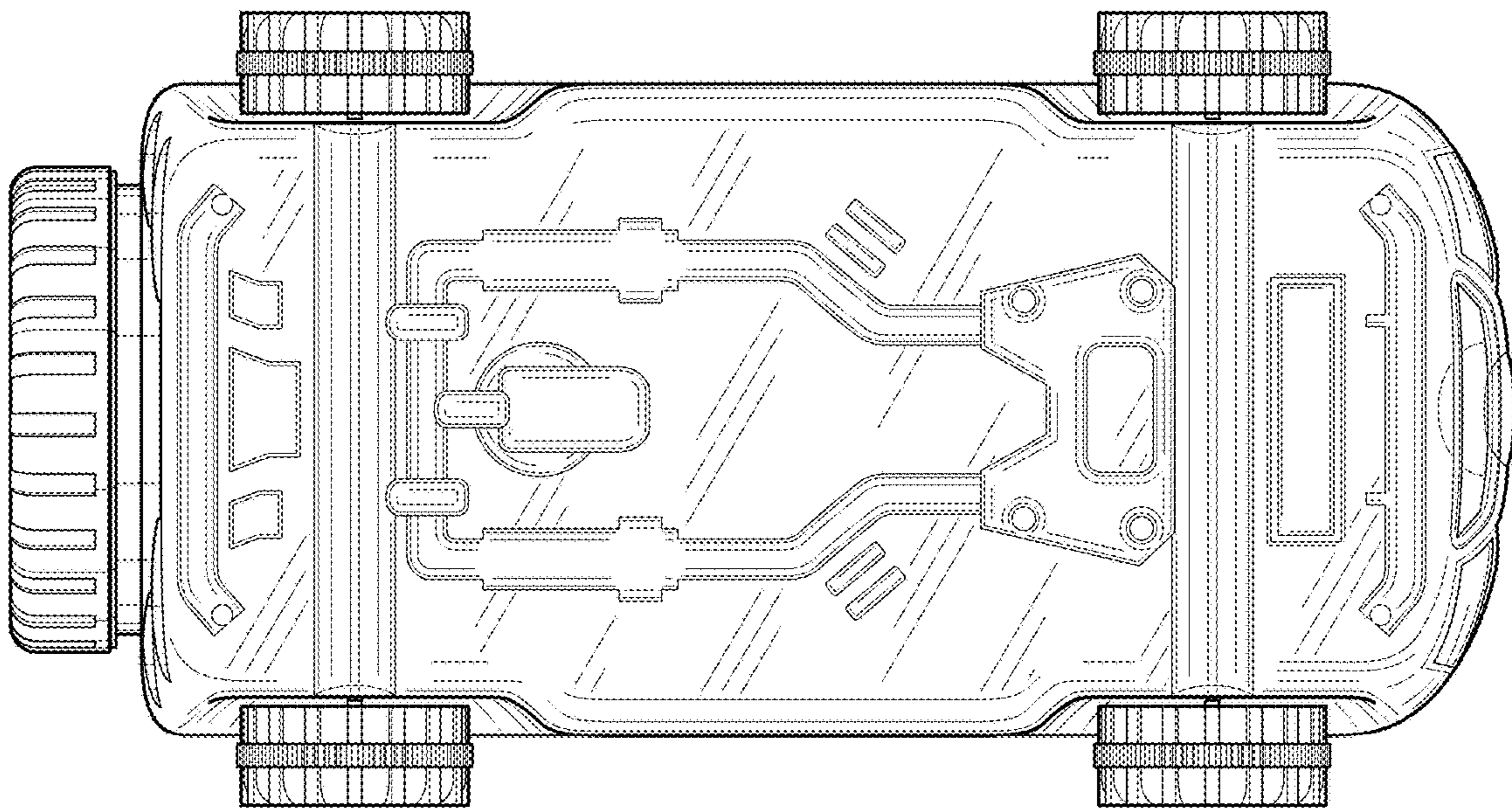


FIG. 7