



US00D782911S

(12) **United States Design Patent** (10) **Patent No.:** **US D782,911 S**
Dominick et al. (45) **Date of Patent:** **** Apr. 4, 2017**

(54) **BOTTLE**

(71) Applicant: **Tropicana Products, Inc.**, Bradenton, FL (US)

(72) Inventors: **Rebecca Dominick**, Barrington, IL (US); **Neil Enciso**, Palatine, IL (US); **Dennis Furniss**, Chicago, IL (US); **Asit Modha**, Basingstoke (GB); **Katie Ozamiz**, Chicago, IL (US)

(73) Assignee: **Tropicana Products, Inc.**, Bradenton, FL (US)

(**) Term: **15 Years**

(21) Appl. No.: **29/568,615**

(22) Filed: **Jun. 20, 2016**

Related U.S. Application Data

(63) Continuation of application No. 29/527,905, filed on May 22, 2015, now Pat. No. Des. 759,492.

(51) **LOC (10) Cl.** **09-01**

(52) **U.S. Cl.**
USPC **D9/542; D9/574**

(58) **Field of Classification Search**
USPC D9/516, 530, 542, 549, 550, 558, 563, D9/571, 574, 715, 719
CPC . B65D 1/00; B65D 1/02; B65D 1/023; B65D 1/0223; B65D 1/0276
See application file for complete search history.

(56) **References Cited**

U.S. PATENT DOCUMENTS

D205,798 S * 9/1966 Parcels D9/550
D263,282 S * 3/1982 Jacobson D9/542
D384,892 S * 10/1997 Tolentino D9/542
D449,539 S * 10/2001 Lakatos D9/530

D565,422 S * 4/2008 Cowan-Hughes D9/563
D584,634 S * 1/2009 Perez D9/542
D591,608 S * 5/2009 Marotti D9/571
D600,127 S * 9/2009 Kuzma D9/530
D623,528 S * 9/2010 Brandt D9/538
D635,462 S * 4/2011 Kuzma D9/542
D642,066 S * 7/2011 Kuzma D9/563
D659,006 S * 5/2012 Wiescinski D9/542
D666,915 S * 9/2012 Wiescinski D9/541
D666,916 S * 9/2012 Enciso D9/541

(Continued)

FOREIGN PATENT DOCUMENTS

CA 134909 11/2010
CA 138999 8/2011
CA 141497 8/2011

OTHER PUBLICATIONS

U.S. Appl. No. 29/527,919, filed May 22, 2015, Dominick et al.

Primary Examiner — Ian Simmons

Assistant Examiner — Keith Frank

(74) *Attorney, Agent, or Firm* — Sterne, Kessler, Goldstein & Fox P.L.L.C.

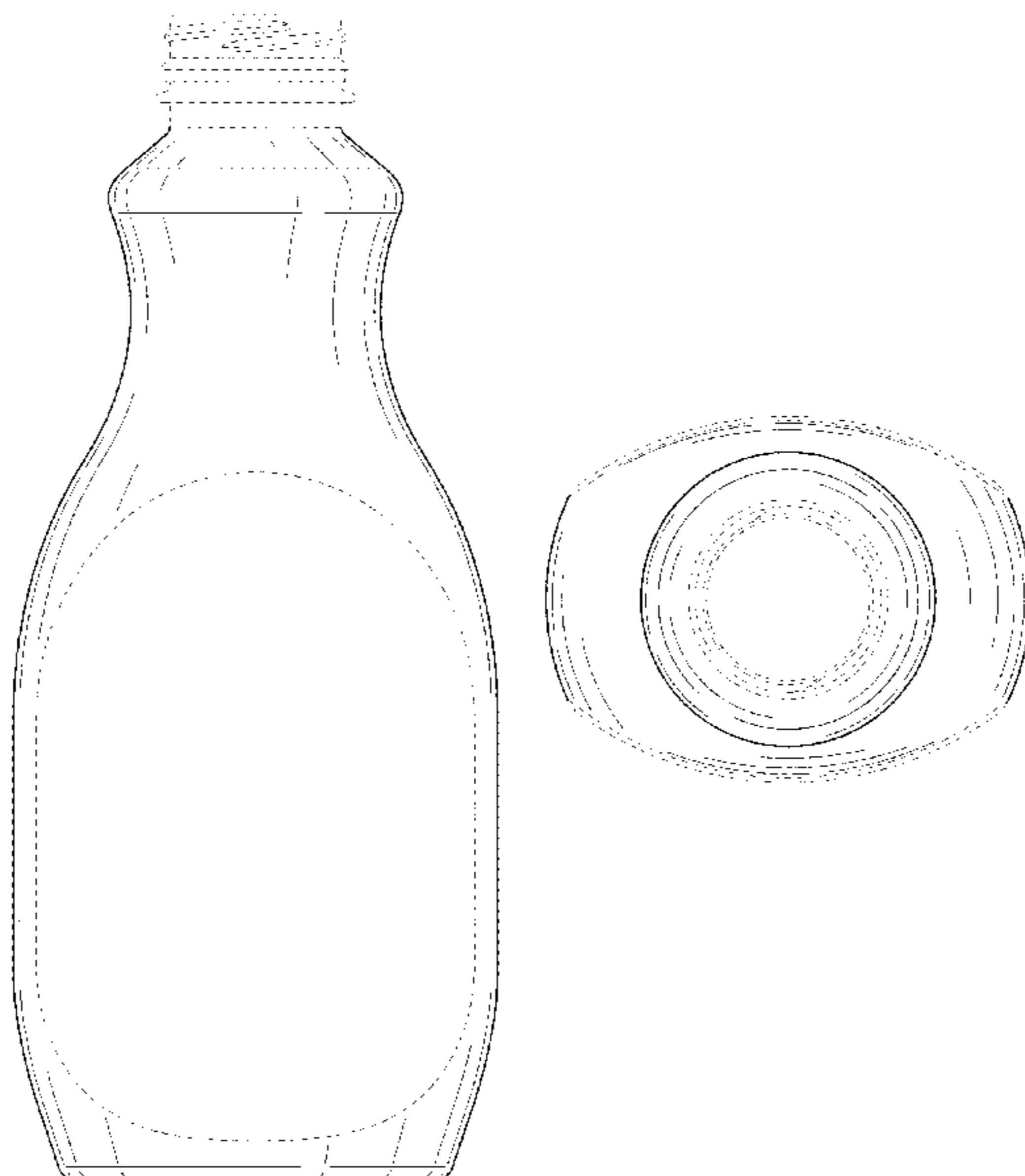
(57) **CLAIM**

The ornamental design for a bottle, as shown and described.

DESCRIPTION

FIG. 1 is a top, front, right perspective view of a bottle showing the claimed design;
FIG. 2 is a front view thereof;
FIG. 3 is a right side view thereof;
FIG. 4 is a rear view thereof;
FIG. 5 is a left side view thereof; and,
FIG. 6 is a top view thereof.
The broken lines in the figures show portions of the bottle that form no part of the claimed design.

1 Claim, 6 Drawing Sheets



(56)

References Cited

U.S. PATENT DOCUMENTS

D667,731 S	*	9/2012	Enciso	D9/541
D668,959 S	*	10/2012	Brown	D9/541
D671,415 S	*	11/2012	Enciso	D9/541
D674,702 S	*	1/2013	Harris	D9/520
D676,329 S	*	2/2013	Yourist	D9/541
D759,492 S	*	6/2016	Dominick	D9/542

* cited by examiner

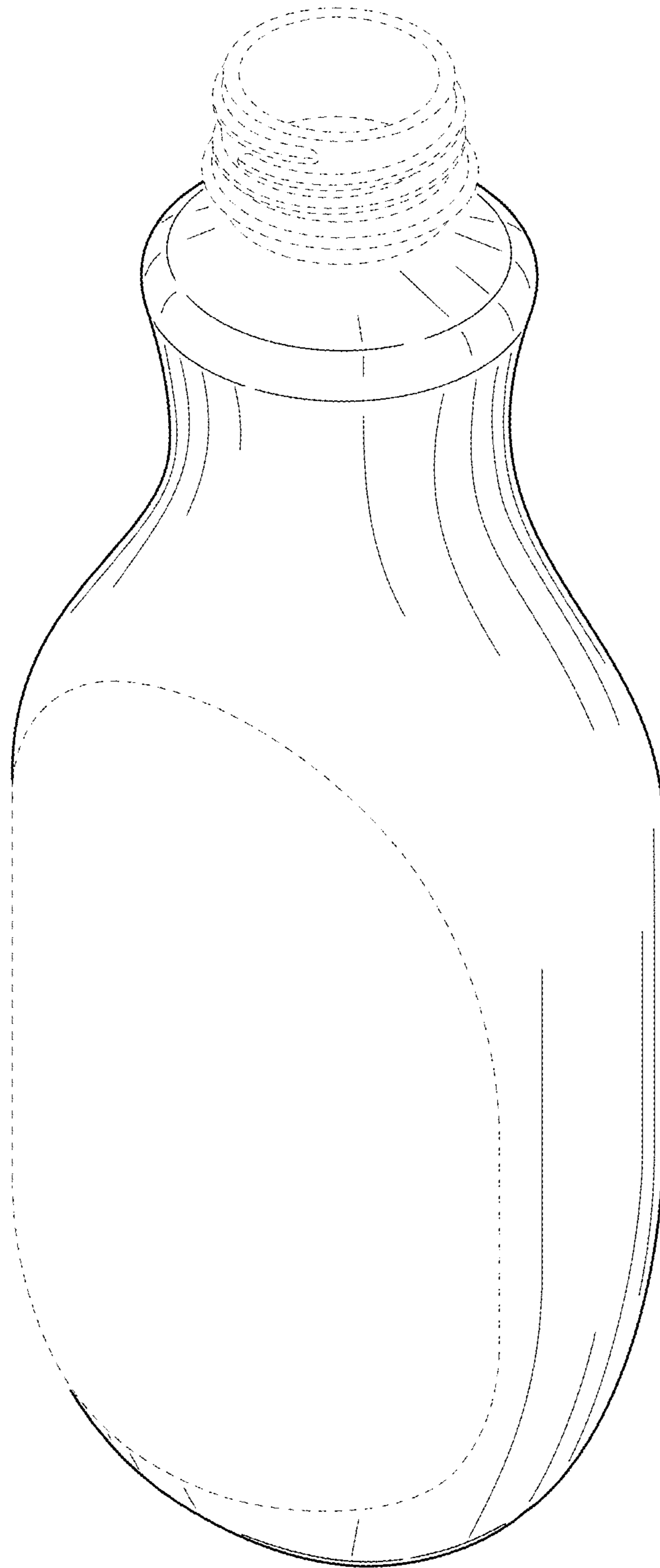


FIG. 1

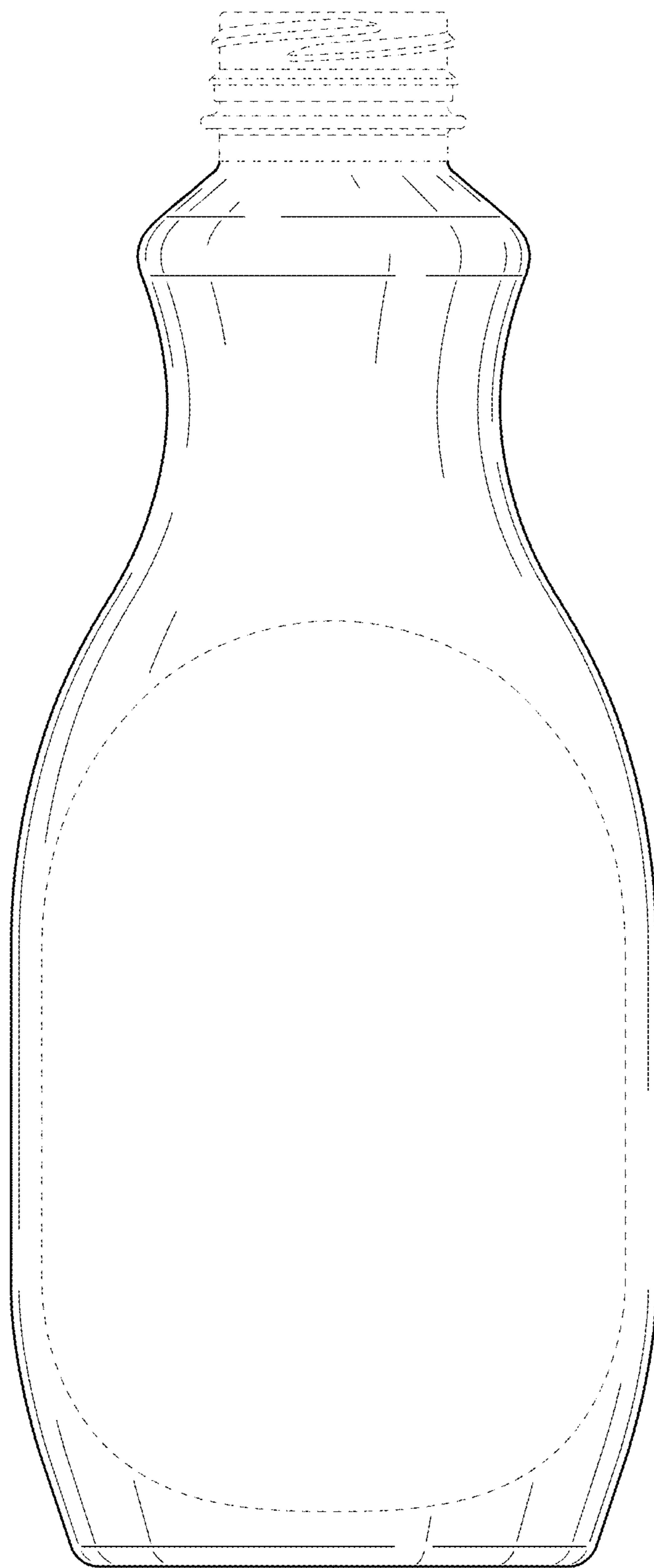


FIG. 2

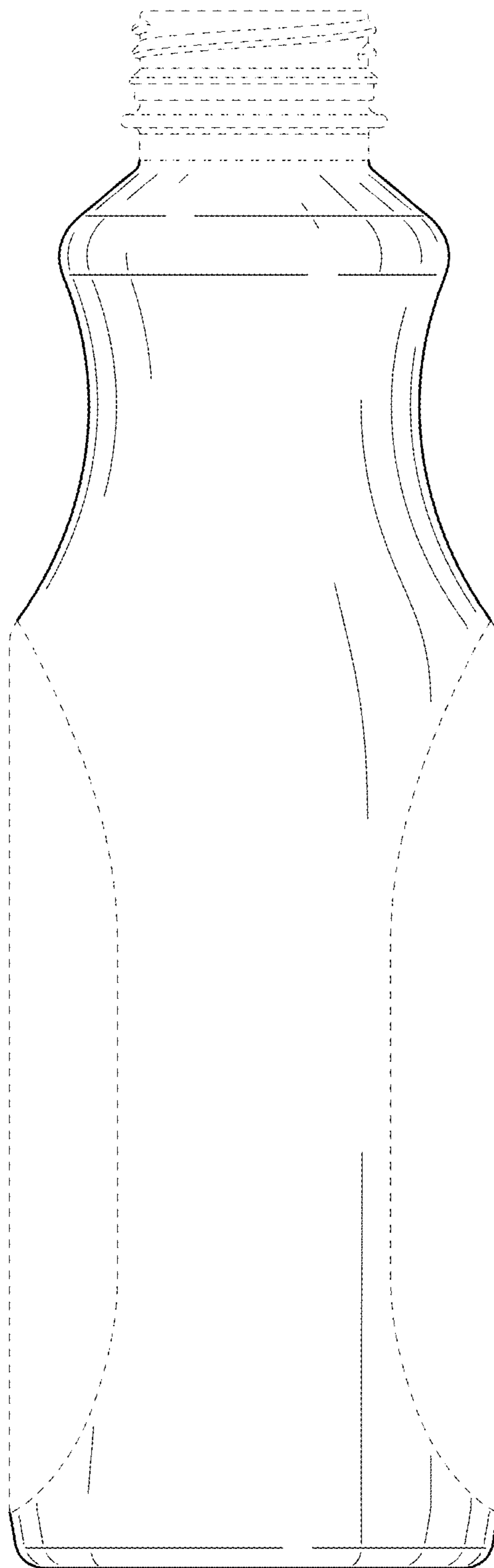


FIG. 3

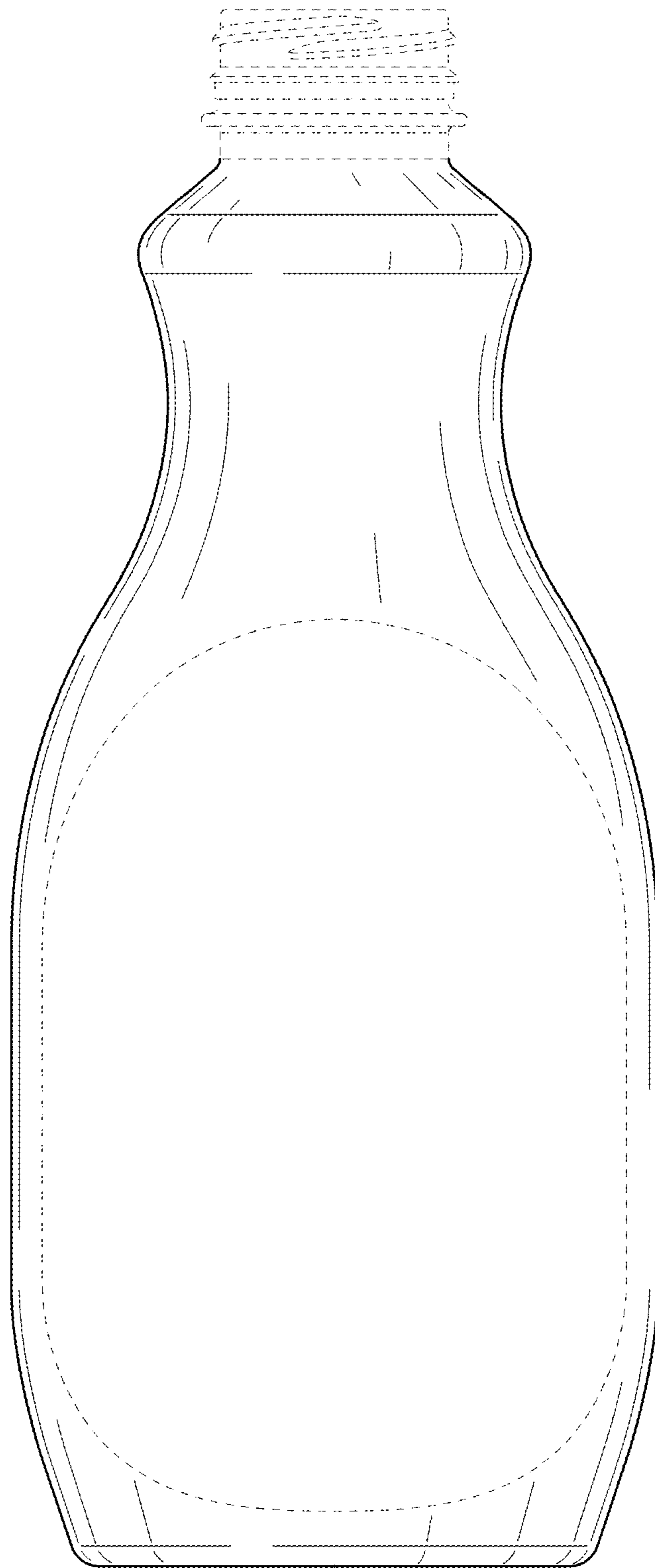


FIG. 4

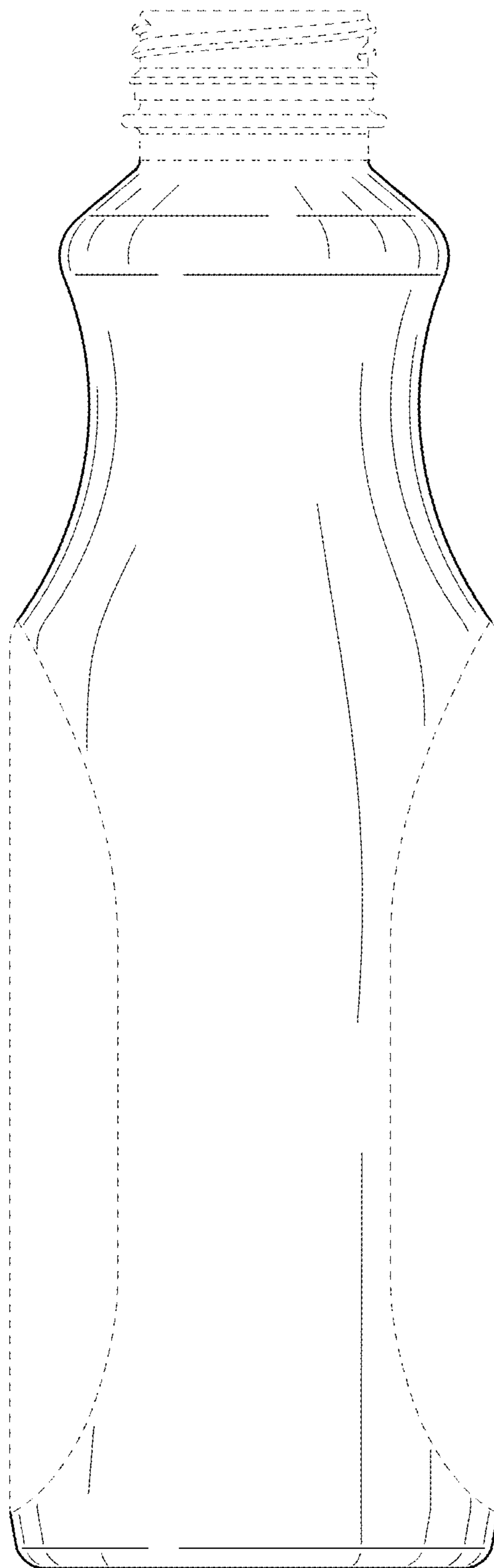


FIG. 5

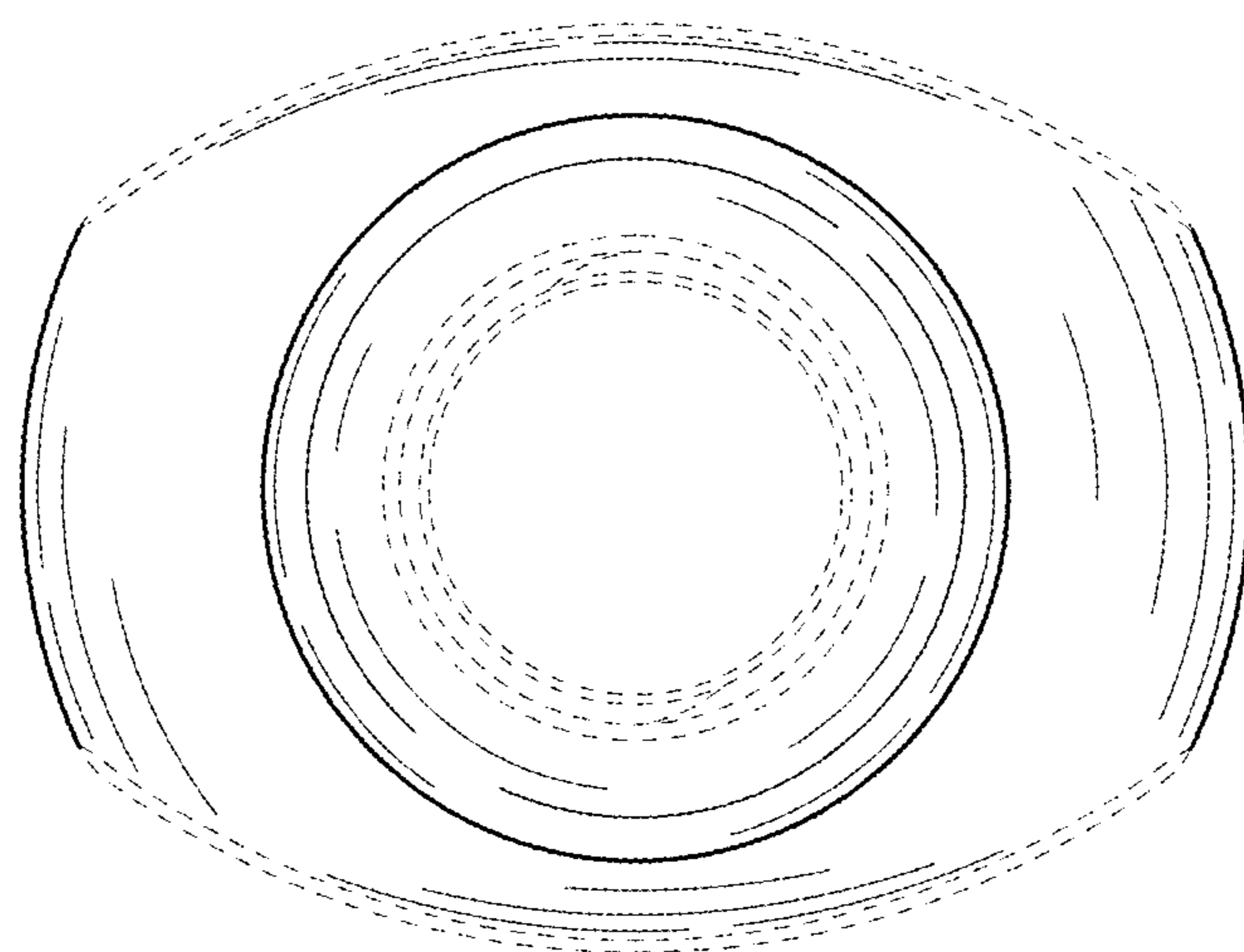


FIG. 6