



US00D782910S

(12) **United States Design Patent** (10) **Patent No.:** **US D782,910 S**  
**Maquita Nakano et al.** (45) **Date of Patent:** **\*\* Apr. 4, 2017**

(54) **BOTTLE**

1/0223; B65D 1/0215;

(Continued)

(71) Applicant: **PepsiCo, Inc.**, Purchase, NY (US)

(56)

**References Cited**

(72) Inventors: **Jorge Manuel Maquita Nakano**,  
Distrito Federal (MX); **Lori Evans**  
**Bartman**, Sylvania, OH (US)

U.S. PATENT DOCUMENTS

D46,285 S \* 8/1914 Mackenzie ..... D9/520  
D64,152 S 3/1924 Sweeney

(Continued)

(73) Assignee: **PepsiCo, Inc.**, Purchase, NY (US)

FOREIGN PATENT DOCUMENTS

(\*\*) Term: **15 Years**

AU 336139 4/2011  
CA 158863 4/2015

(21) Appl. No.: **29/537,876**

(Continued)

(22) Filed: **Aug. 28, 2015**

OTHER PUBLICATIONS

(51) **LOC (10) Cl.** ..... **09-01**

(52) **U.S. Cl.**

USPC ..... **D9/538**

Ambrosi, Carlos Eduardo, "Gatorade Bottle" Apr. 17, 2012, GrabCAD Community blog, site visited Nov. 22, 2016 <<https://grabcad.com/library/gatorade-bottle>>.\*

(58) **Field of Classification Search**

USPC ..... D9/435, 436, 440, 445, 447, 449, 450,  
D9/453, 452, 442, 500-505, 520-522,  
D9/529, 571, 550, 556, 546, 562-572,  
D9/512, 530, 532-543, 548, 516, 574,  
D9/575, 526, 558-561, 519, 726-729,  
D9/738, 740, 746, 764, 752, 759, 767,  
D9/772-783, 904; D3/202, 203.1-203.4,  
D3/203.7; D28/82, 4-8; D19/66,  
D19/115-179; D7/396.2, 509-511, 523,  
D7/590; D6/515, 542; D14/114, 485;  
D24/119, 197; D34/1, 2

*Primary Examiner* — Kevin Rudzinski  
*Assistant Examiner* — Paul Bohannon  
(74) *Attorney, Agent, or Firm* — Sterne, Kessler,  
Goldstein & Fox P.L.L.C.

CPC ..... B65D 88/54; B65D 83/00; B65D 83/04;  
B65D 11/04; B65D 11/00; B65D 90/02;  
B65D 90/12; B65D 23/102; B65D  
21/024; B65D 1/42; B65D 1/46; B65D  
1/02; B65D 1/0207; B65D 1/023; B65D  
1/04; B65D 1/10; B65D 1/12; B65D  
1/14; B65D 1/16; B65D 1/165; B65D  
1/18; B65D 1/0246; B65D 1/0238; B65D

(57)

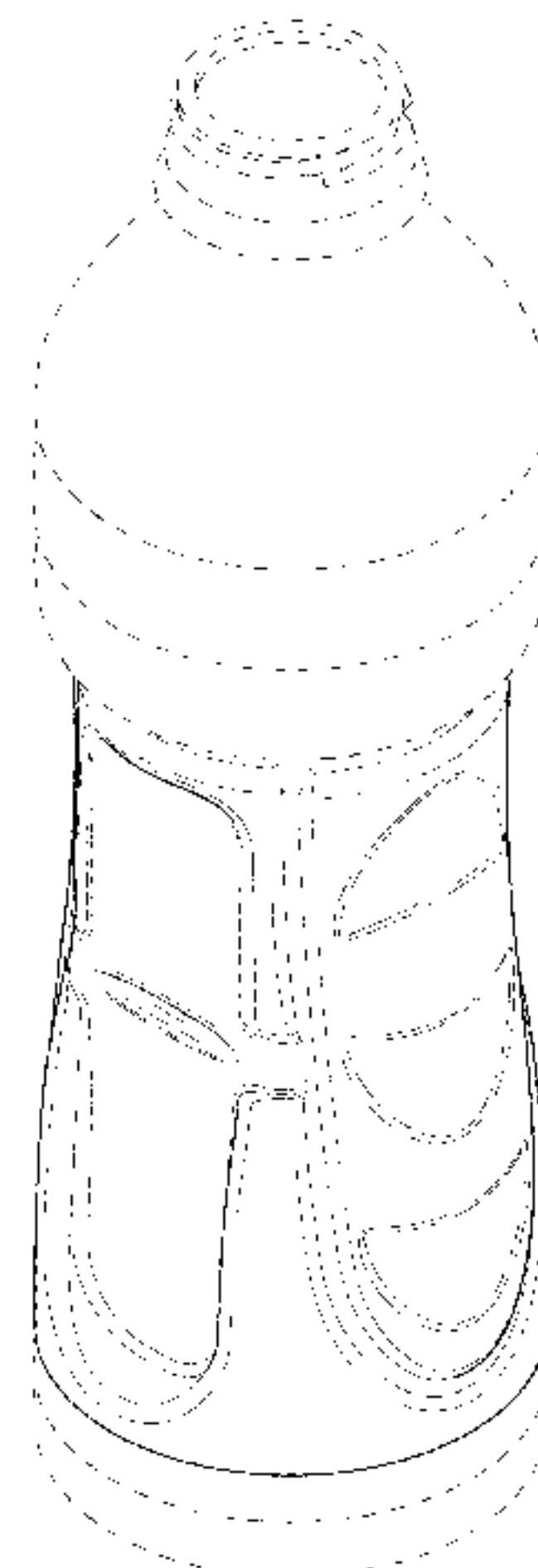
**CLAIM**

The ornamental design for a bottle, as shown and described.

**DESCRIPTION**

FIG. 1 is a top perspective view of a bottle showing the claimed design;  
FIG. 2 is a bottom perspective view thereof;  
FIG. 3 is a front view thereof;  
FIG. 4 is a rear view thereof;  
FIG. 5 is a right side view thereof;  
FIG. 6 is a left side view thereof;  
FIG. 7 is a top view thereof; and,  
FIG. 8 is a bottom view thereof.

(Continued)



The broken lines in the figures show portions of the bottle that form no part of the claimed design. The dot-dash broken lines are boundary lines that form no part of the claimed design.

**1 Claim, 7 Drawing Sheets**

(58) **Field of Classification Search**

CPC ..... B65D 13/02; B65D 23/00; B65D 35/00;  
 B65D 35/02; B65D 35/04; B65D 35/56;  
 B65D 35/08; B65D 39/00; B65D  
 39/0005; B65D 39/0029; B65D 41/0428;  
 B65D 41/04; B65D 41/0435; B65D  
 41/0442; B65B 7/28; A61J 9/00; A45F  
 5/00; B29C 33/005

See application file for complete search history.

(56) **References Cited**

U.S. PATENT DOCUMENTS

D154,563 S	7/1949	Peters
D214,158 S	5/1969	Pettengill
D218,019 S	7/1970	Lattraye et al.
D235,736 S	7/1975	Strand et al.
D240,593 S	7/1976	Koenigsberg
D269,500 S	6/1983	Bit
D294,117 S	2/1988	Rogler et al.
D294,463 S	3/1988	Lang
D294,678 S	3/1988	Papa
D295,381 S	4/1988	Papa
D300,805 S	4/1989	Rogler et al.
4,818,575 A	4/1989	Hirata
4,863,046 A	9/1989	Collette et al.
4,877,141 A	10/1989	Hayashi et al.
D306,262 S	2/1990	Bit
4,907,709 A	3/1990	Abe et al.
D308,482 S	6/1990	Wild
D313,747 S	1/1991	Martin
D313,930 S	1/1991	Martin
4,993,565 A	2/1991	Ota et al.
5,002,199 A	3/1991	Frahm
5,005,716 A	4/1991	Eberle
5,024,341 A	6/1991	Dekerle
D320,154 S	9/1991	Alberghini et al.
5,064,081 A	11/1991	Hayashi et al.
5,141,120 A	8/1992	Brown et al.
5,141,121 A	8/1992	Brown et al.
5,178,289 A	1/1993	Krishnakumar et al.
5,178,290 A	1/1993	Ota et al.
D334,342 S	3/1993	Thompson
D335,084 S	4/1993	Snyder
D344,457 S	2/1994	Prevot et al.

5,303,833 A	4/1994	Hayashi et al.	
5,310,068 A	5/1994	Saghri	
D352,245 S	11/1994	Krishnakumar et al.	
5,385,250 A	1/1995	Pasquale	
5,472,105 A	12/1995	Krishnakumar et al.	
D370,178 S	5/1996	Petre et al.	
5,579,937 A	12/1996	Valyi	
D379,224 S	5/1997	McCallister et al.	
D379,306 S	5/1997	Peykoff	
5,632,397 A	5/1997	Fandoux et al.	
5,635,229 A	6/1997	Ray	
D382,485 S	8/1997	Krishnakumar et al.	
D382,807 S	8/1997	Silvers et al.	
5,704,503 A	1/1998	Krishnakumar et al.	
5,746,339 A	5/1998	Petre et al.	
D394,812 S	6/1998	Crawford	
5,758,790 A	6/1998	Ewing, Jr.	
D396,413 S	7/1998	Duboff	
D396,640 S	8/1998	Conrad et al.	
D397,297 S	8/1998	Yang	
D397,616 S	9/1998	Chen	
D397,941 S	9/1998	Lauth	
D398,479 S	9/1998	Vultaggio et al.	
5,836,469 A	11/1998	Zebrowski	
D401,860 S	12/1998	Granelli	
5,971,184 A	10/1999	Krishnakumar	
D426,460 S	6/2000	Krishnakumar et al.	
D439,167 S	3/2001	Lichtman	
D442,492 S	5/2001	Krishnakumar et al.	
D447,956 S	9/2001	Bretz et al.	
D450,581 S	11/2001	Lichtman et al.	
D457,065 S	5/2002	Krishnakumar et al.	
D488,723 S	4/2004	Evans et al.	
D504,617 S *	5/2005	Pedmo ..... B65D 79/005	
			D9/541
D525,138 S	7/2006	Shmagin et al.	
D533,785 S *	12/2006	Corbett ..... D9/538	
D547,664 S *	7/2007	Davis ..... D9/538	
D572,135 S *	7/2008	Lepoitevin ..... D9/502	
D626,848 S	11/2010	Chewning et al.	
D630,105 S *	1/2011	Bourne ..... D9/538	
D705,071 S *	5/2014	Abend ..... D9/538	
D712,270 S *	9/2014	Maquita Nakano ..... D9/538	
D737,145 S *	8/2015	Boon ..... D9/538	
D740,675 S *	10/2015	Saliaris ..... D9/538	
D743,262 S *	11/2015	Pedmo ..... D9/538	
D770,289 S *	11/2016	Evans ..... D9/538	
D773,310 S	12/2016	Zeng et al.	
2010/0006580 A1 *	1/2010	Boukobza ..... B65D 1/0223	
			220/672

FOREIGN PATENT DOCUMENTS

CA	161981	5/2016
WO	D080246-0001	2/2013

\* cited by examiner

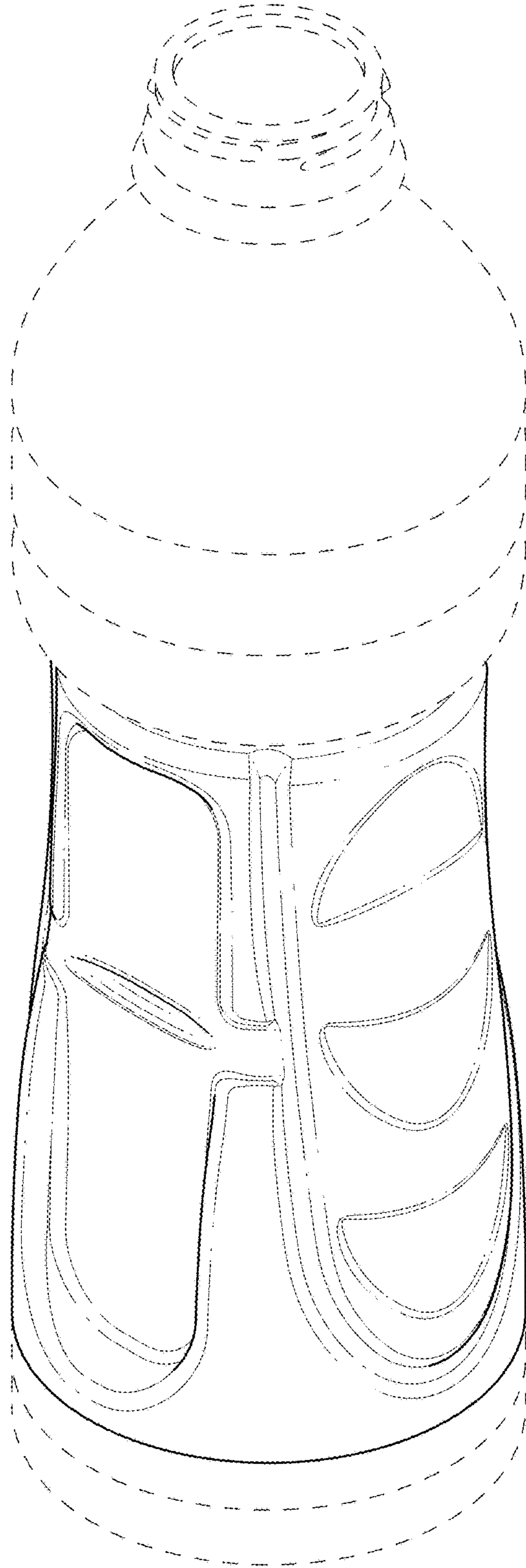
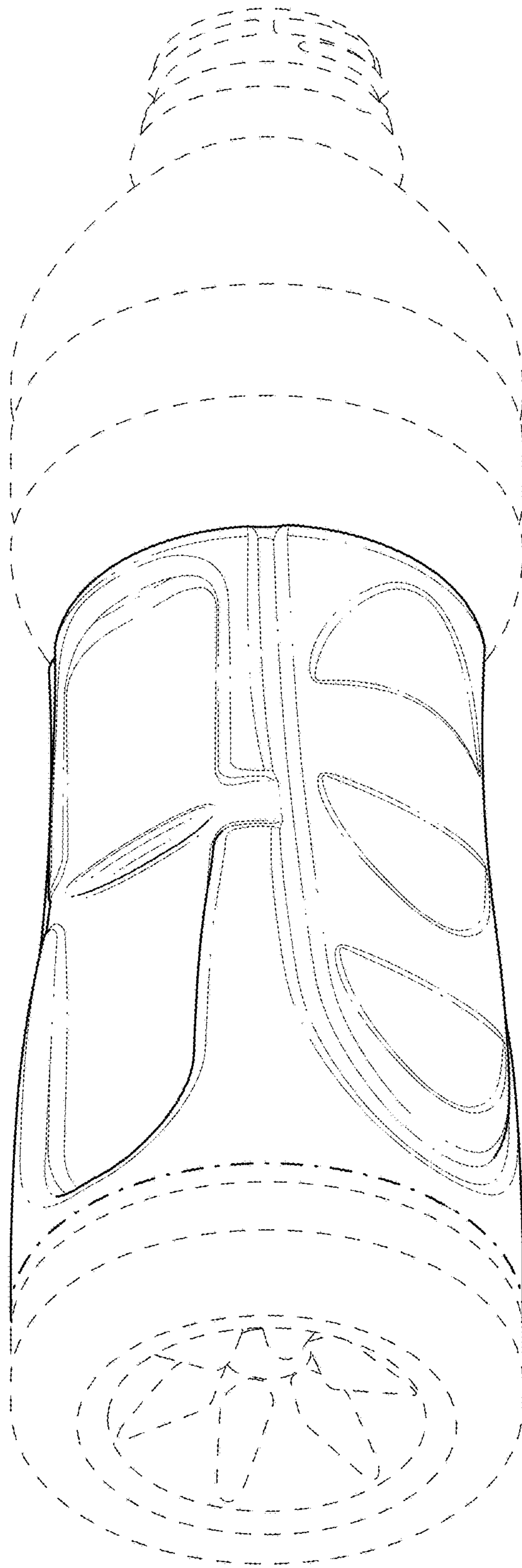


FIG. 1





**FIG. 2**

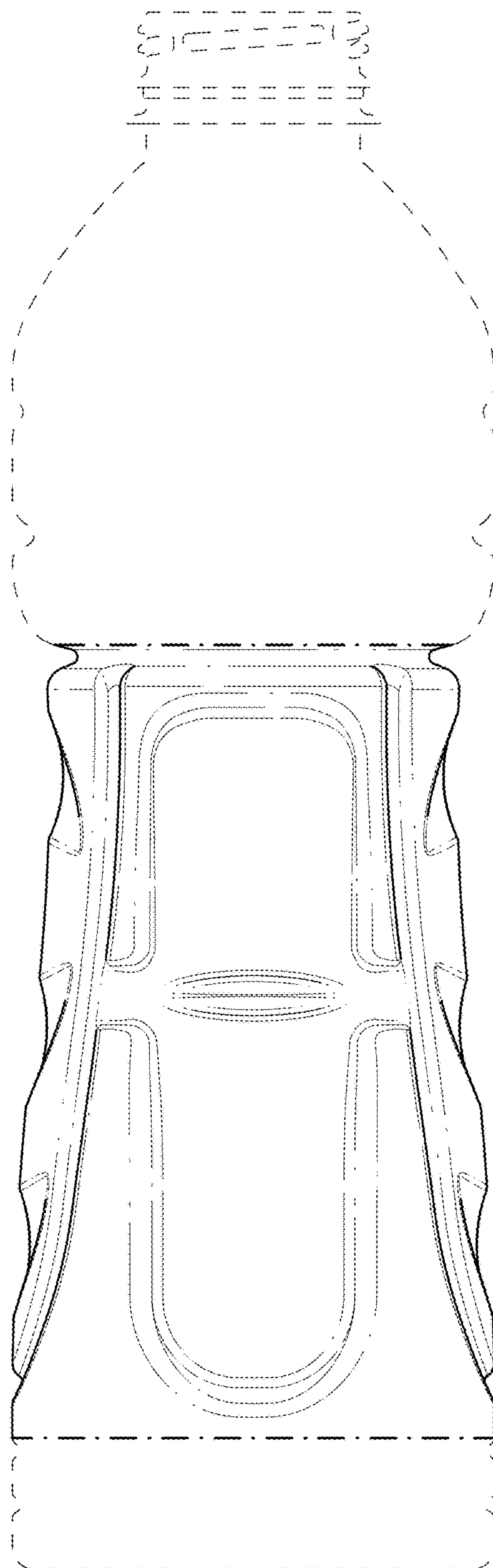


FIG. 3

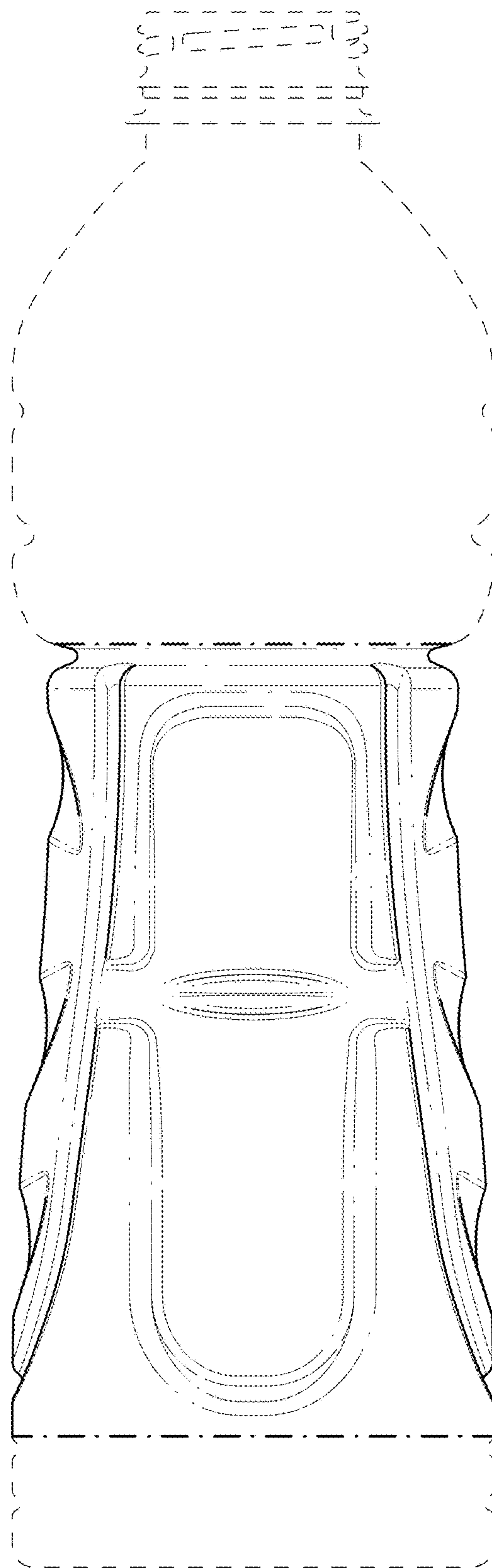


FIG. 4

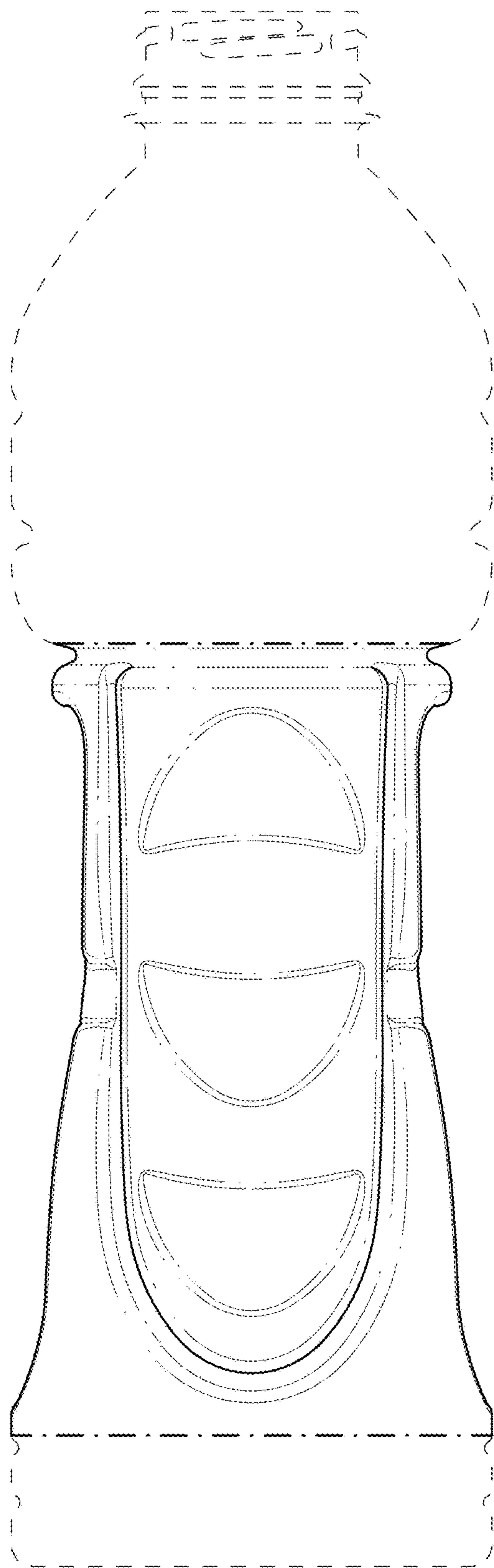


FIG. 5

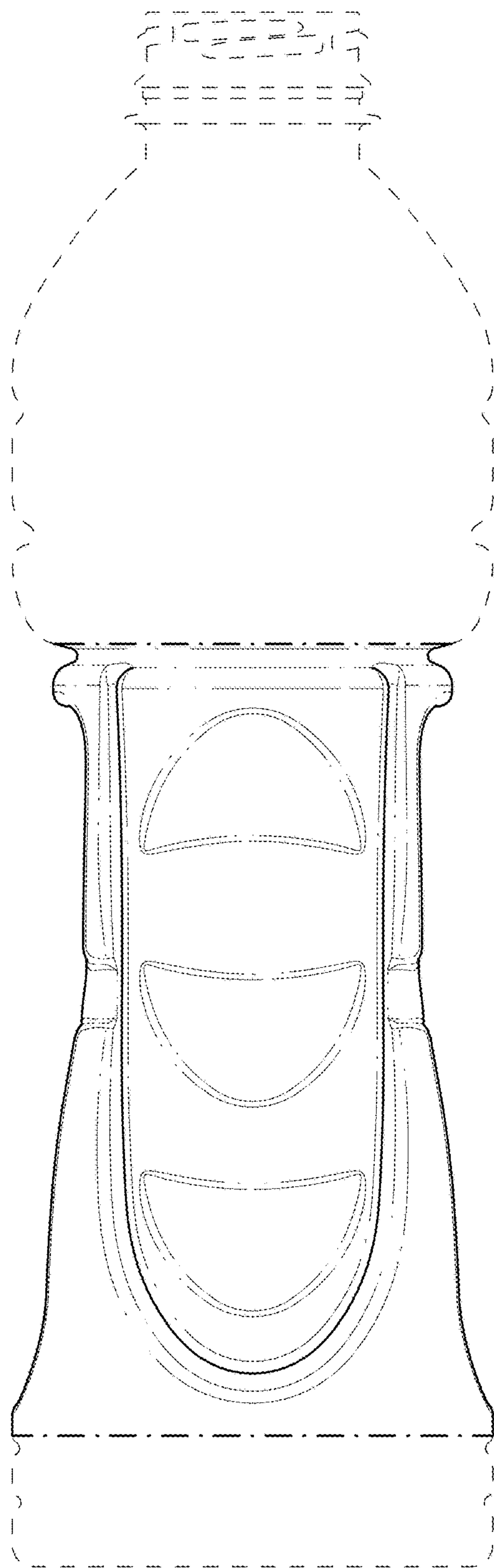
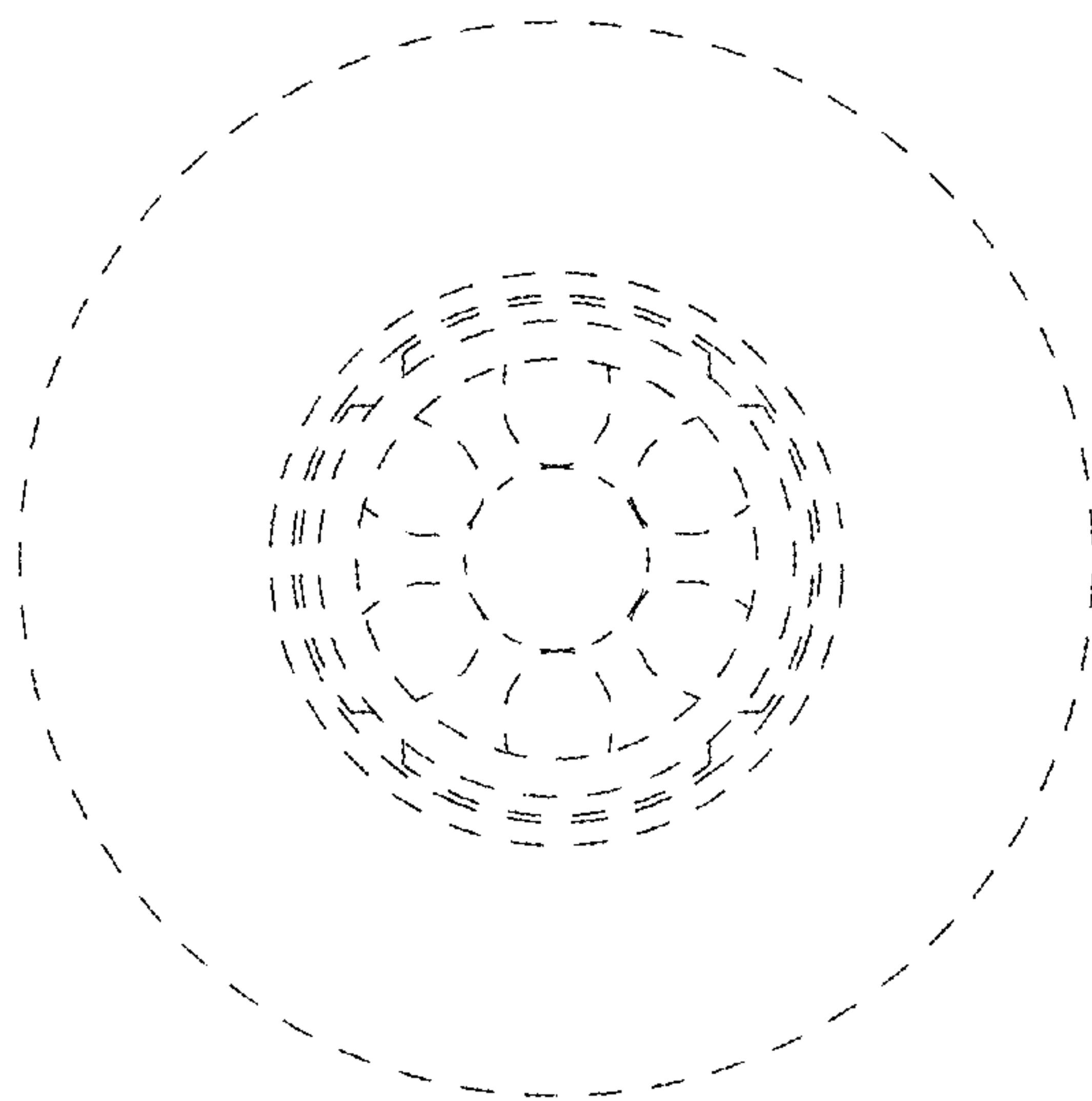
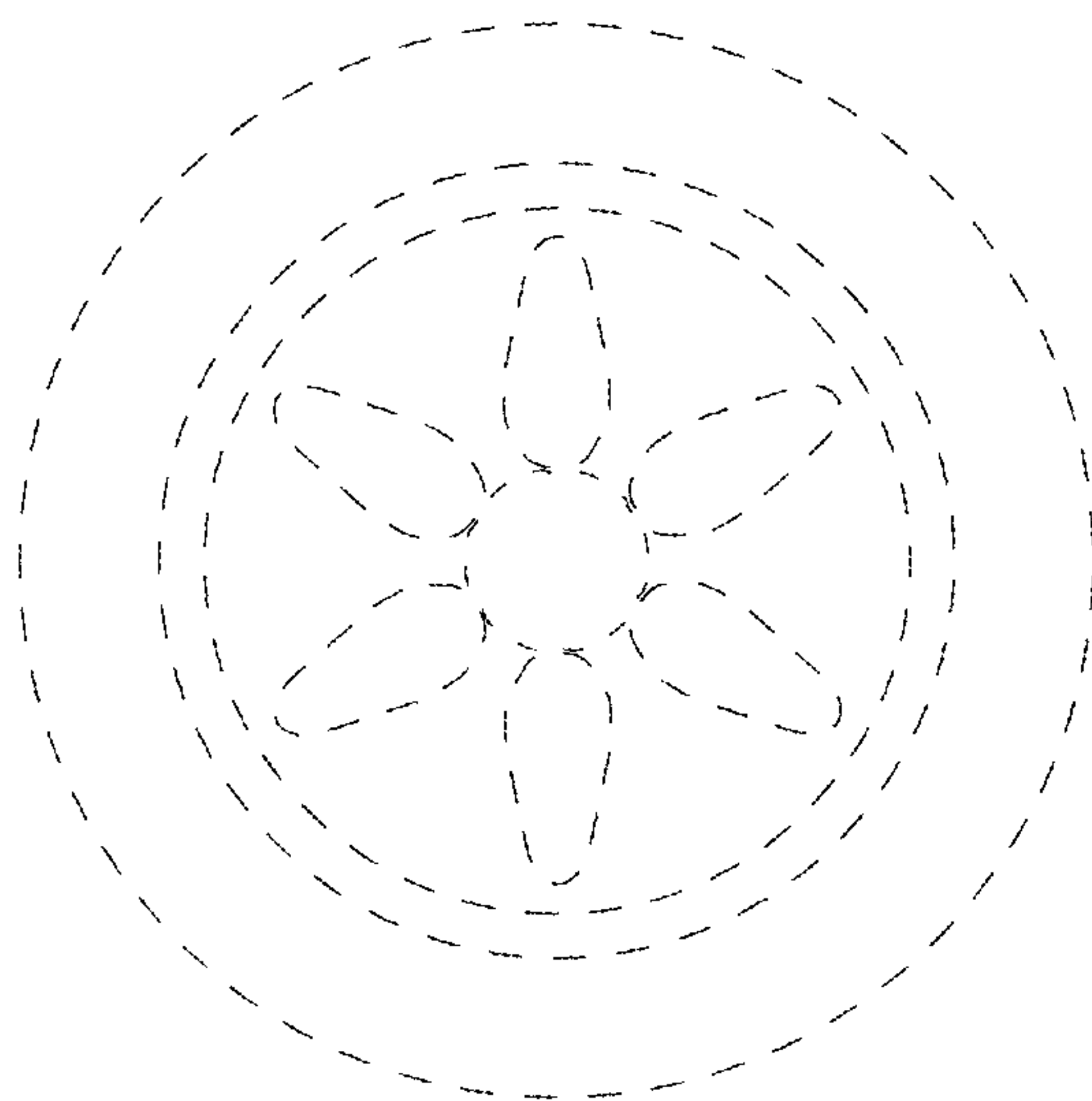


FIG. 6





**FIG. 7**



**FIG. 8**

UNITED STATES PATENT AND TRADEMARK OFFICE  
**CERTIFICATE OF CORRECTION**

PATENT NO. : D782,910 S  
APPLICATION NO. : 29/537876  
DATED : April 4, 2017  
INVENTOR(S) : Maquita Nakano et al.

Page 1 of 3

It is certified that error appears in the above-identified patent and that said Letters Patent is hereby corrected as shown below:

Replace Figures 1 – 2 with the attached figures.

Signed and Sealed this  
Eleventh Day of July, 2017

A handwritten signature in cursive script that reads "Joseph Matal". The ink is dark and the signature is written in a fluid, connected style.

Joseph Matal  
*Performing the Functions and Duties of the  
Under Secretary of Commerce for Intellectual Property and  
Director of the United States Patent and Trademark Office*

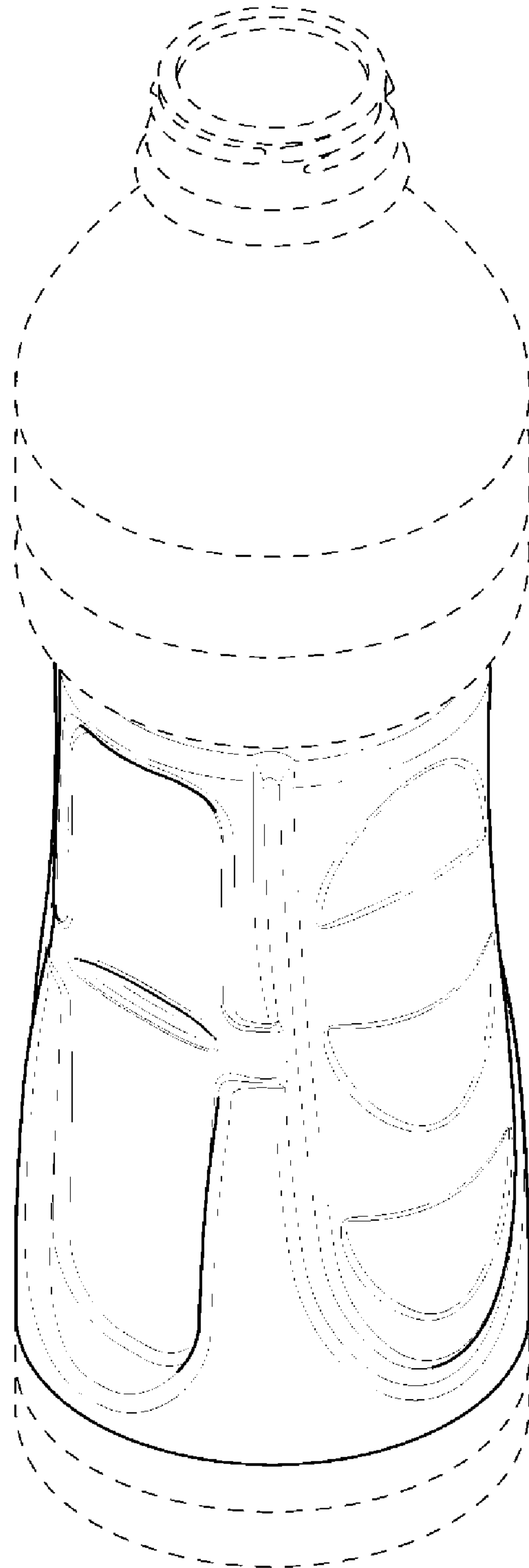


FIG. 1

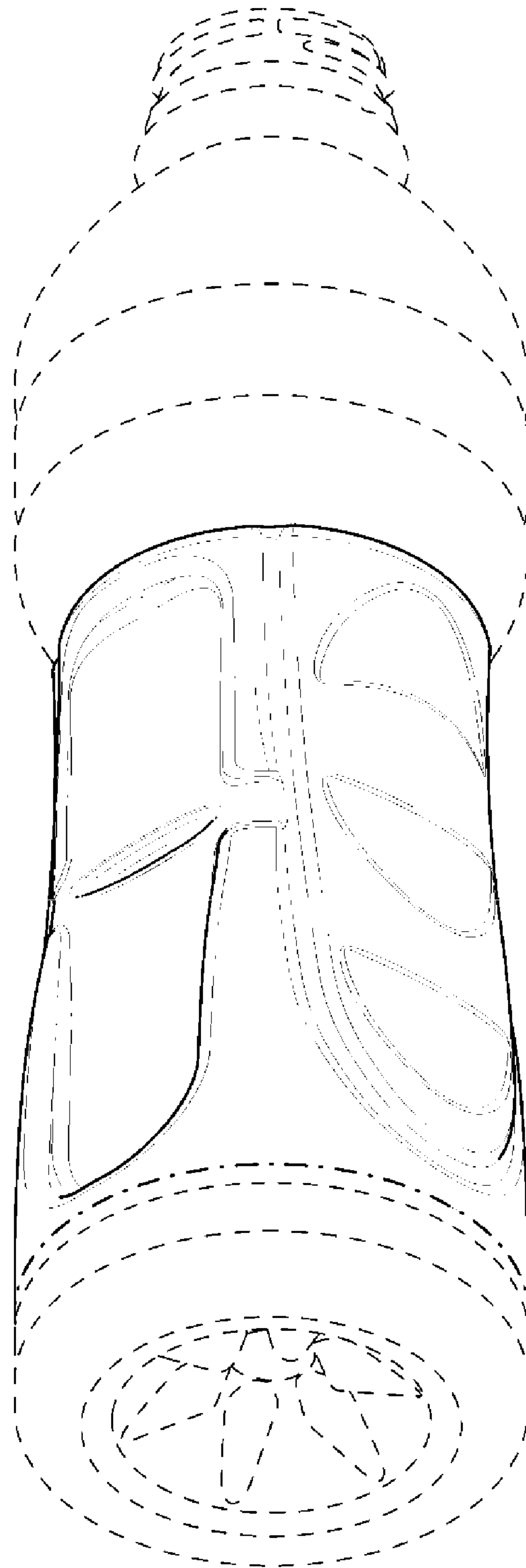


FIG. 2