



US00D782908S

(12) **United States Design Patent** (10) **Patent No.:** **US D782,908 S**
Bentkovski (45) **Date of Patent:** **** Apr. 4, 2017**

(54) **CAPSULE BOTTLE CAP**
(71) Applicant: **Yakov Bentkovski**, Ness Ziona (IL)
(72) Inventor: **Yakov Bentkovski**, Ness Ziona (IL)
(73) Assignee: **WaterIO Ltd** (IL)
(**) Term: **14 Years**

D635,024 S * 3/2011 Stolle D9/435
D672,650 S * 12/2012 Wisniewski D9/443
D673,043 S * 12/2012 Antier D9/443
D673,044 S * 12/2012 Wisniewski D9/443
D680,432 S * 4/2013 Geier D9/448
D702,551 S * 4/2014 Wisniewski D9/449
D730,729 S * 6/2015 George D9/435
D743,789 S * 11/2015 Wisniewski D9/447
2004/0188374 A1 * 9/2004 Ochoa Laburu B65D 41/34
215/235
2007/0284392 A1 * 12/2007 Kaess B65D 47/0804
222/153.05
2011/0000928 A1 * 1/2011 Antier B65D 47/0857
220/801

(21) Appl. No.: **29/512,282**
(22) Filed: **Dec. 18, 2014**
(51) **LOC (10) Cl.** **09-07**
(52) **U.S. Cl.**
USPC **D9/449**; D9/453
(58) **Field of Classification Search**
USPC D7/300, 300.1, 300.2, 303, 316, 317,
D7/396.2, 397, 398, 509, 510, 511, 392.1;
D9/738, 763, 778, 434, 435, 436, 439,
D9/440, 443, 444, 445, 447, 448, 449,
D9/450, 452, 453, 454, 438; D28/82
CPC A47G 19/22; B65D 41/04; B65D 47/06
See application file for complete search history.

(56) **References Cited**
U.S. PATENT DOCUMENTS
D324,175 S * 2/1992 Beck D9/447
6,478,184 B2 * 11/2002 Berge B65D 47/0819
215/235
D536,974 S * 2/2007 Smith D9/435
D536,975 S * 2/2007 Smith D9/435
D581,790 S * 12/2008 Hyde D9/449
D592,057 S * 5/2009 Guerin D9/449
D625,605 S * 10/2010 Bardet D9/449
D626,411 S * 11/2010 Lohrman D9/449
D628,891 S * 12/2010 Groubert D9/449

(Continued)

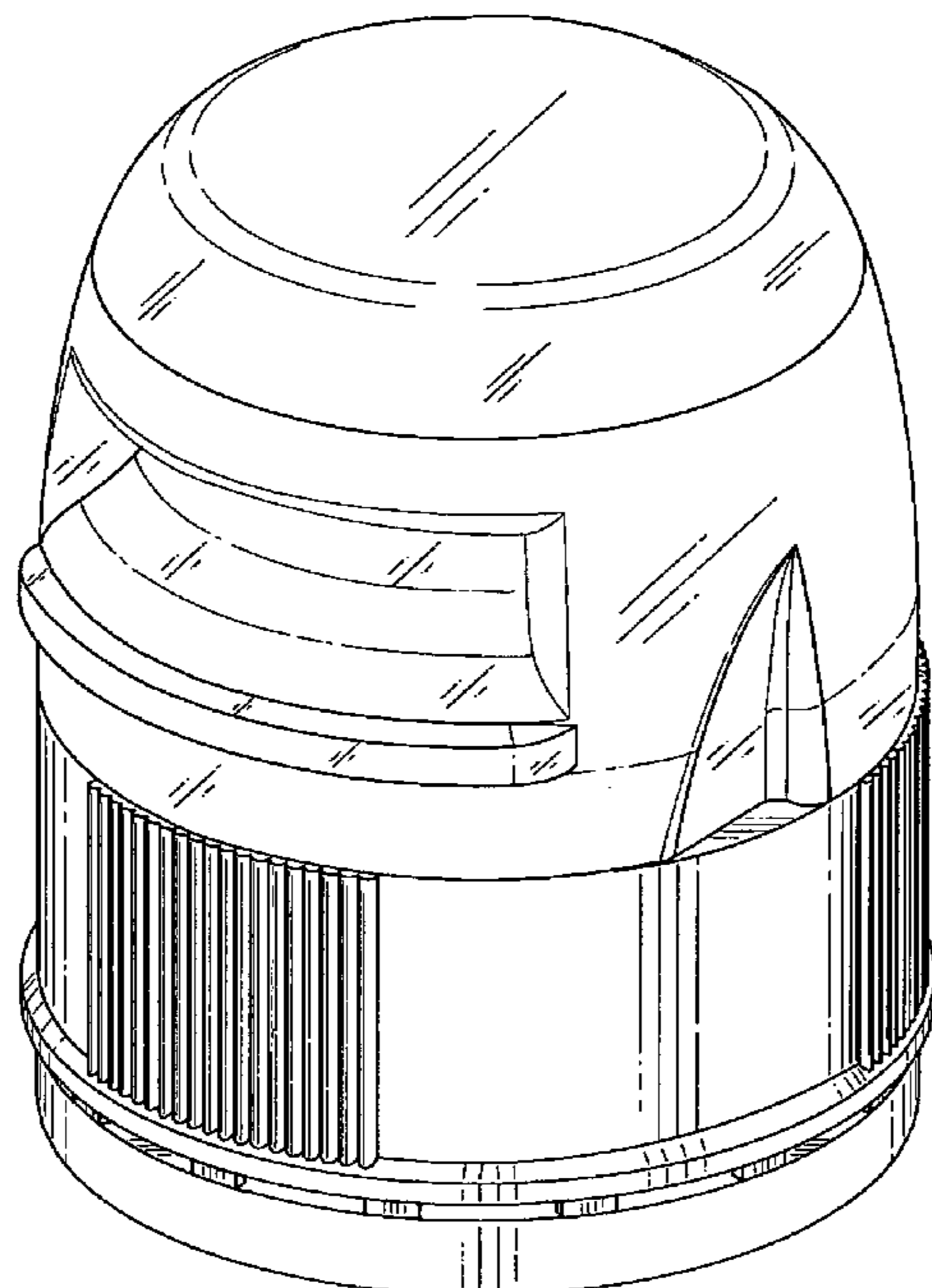
Primary Examiner — Robert M Spear
Assistant Examiner — Marissa J Cash

(57) **CLAIM**
The ornamental design for a capsule bottle cap, as shown and described.

DESCRIPTION

FIG. 1 illustrates a front perspective view of the capsule bottle cap;
FIG. 2 illustrates a back perspective view of the capsule bottle cap;
FIG. 3 illustrates a front view of the capsule bottle cap;
FIG. 4 illustrates a rear view of the capsule bottle cap;
FIG. 5 illustrates a right side view of the capsule bottle cap;
FIG. 6 illustrates a left side view of the capsule bottle cap;
FIG. 7 illustrates a top view of the capsule bottle cap; and,
FIG. 8 illustrates a bottom view of the capsule bottle cap.
In the drawings, the broken lines depict environmental subject matter only and form no part of the claimed design.

1 Claim, 8 Drawing Sheets



(56)

References Cited

U.S. PATENT DOCUMENTS

2011/0017736 A1* 1/2011 Guglielmini B65D 47/0804
220/212
2014/0034663 A1* 2/2014 Konigseder B65D 47/0804
220/835

* cited by examiner

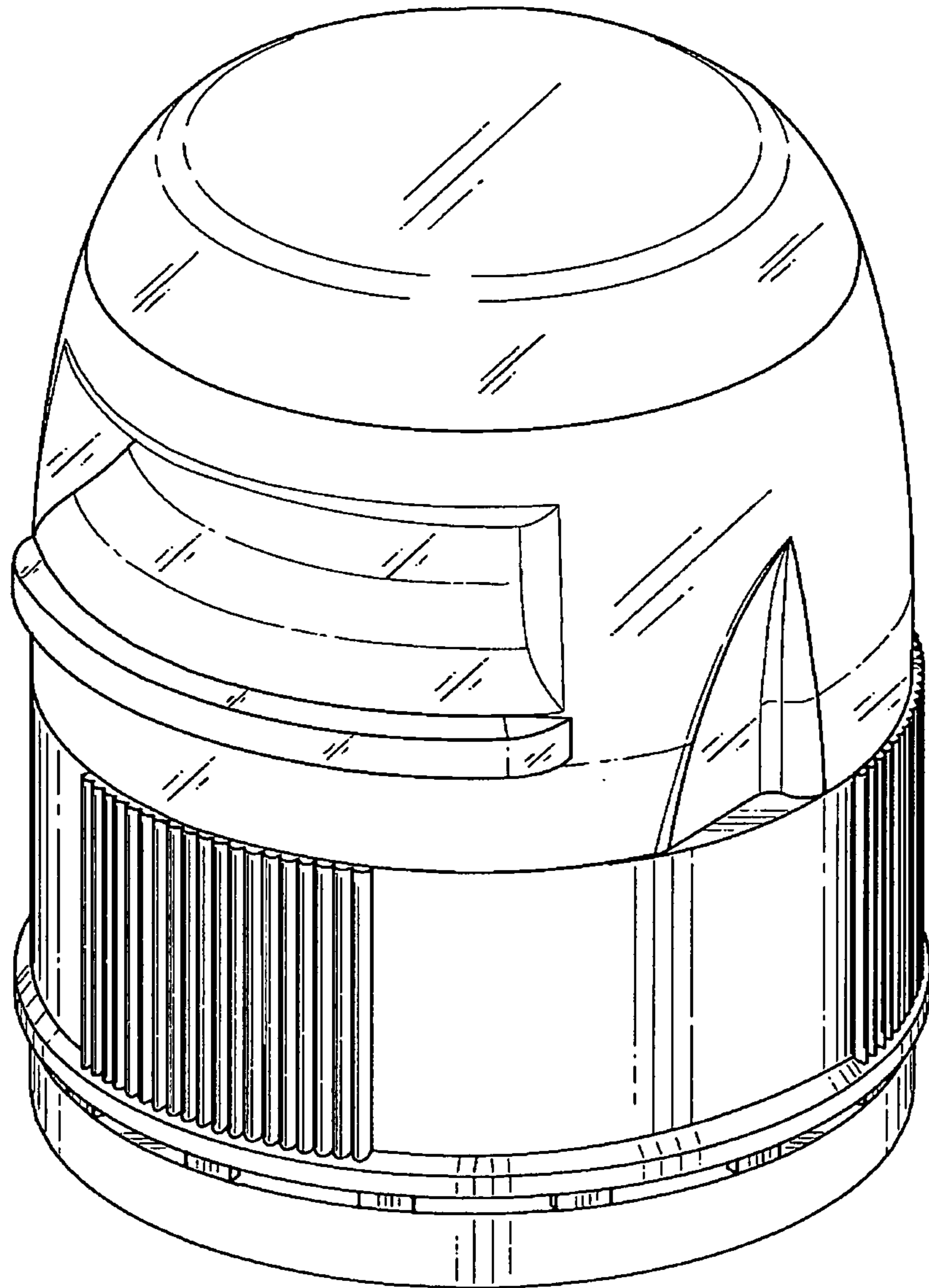


FIG. 1

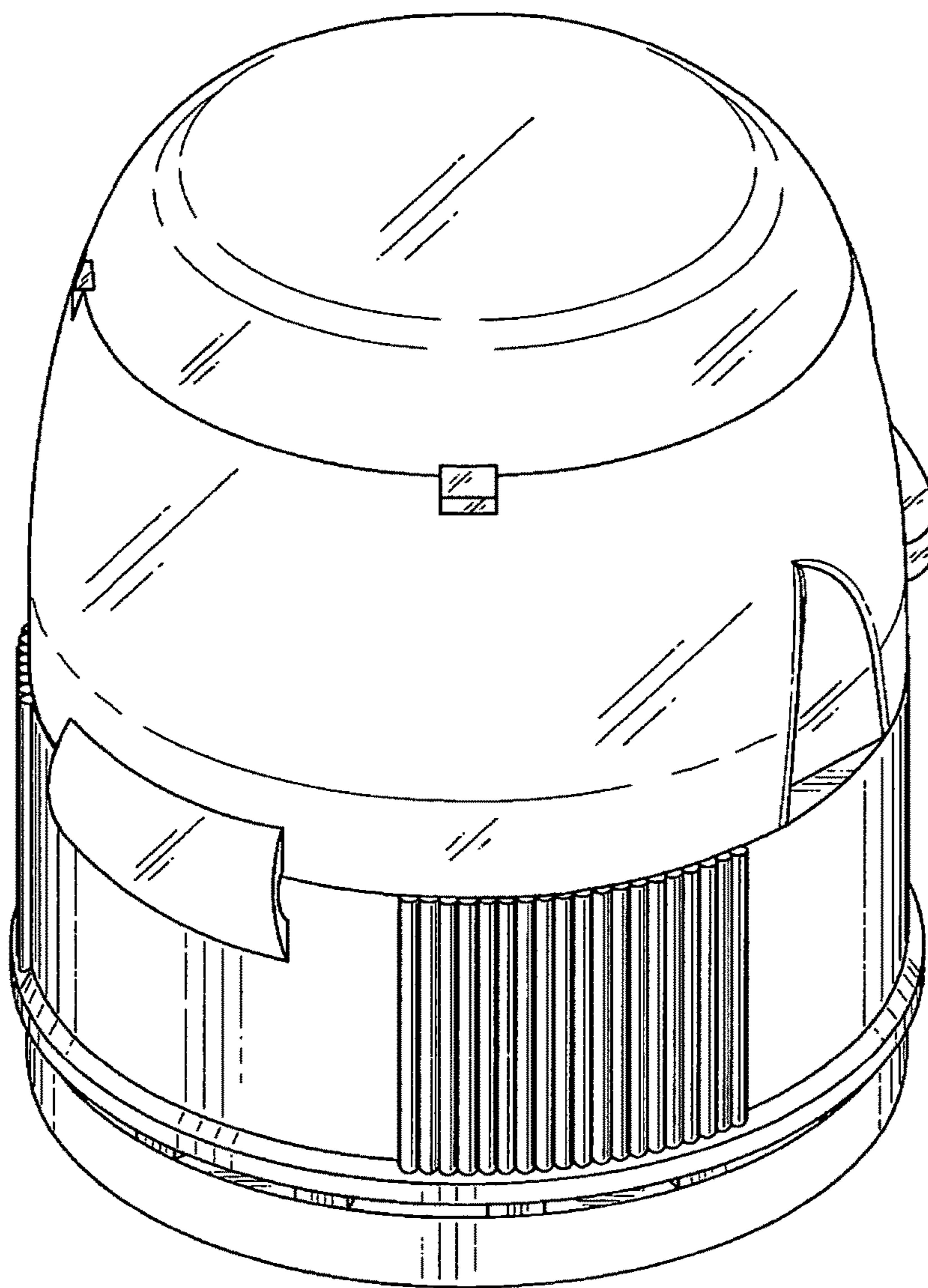


FIG. 2

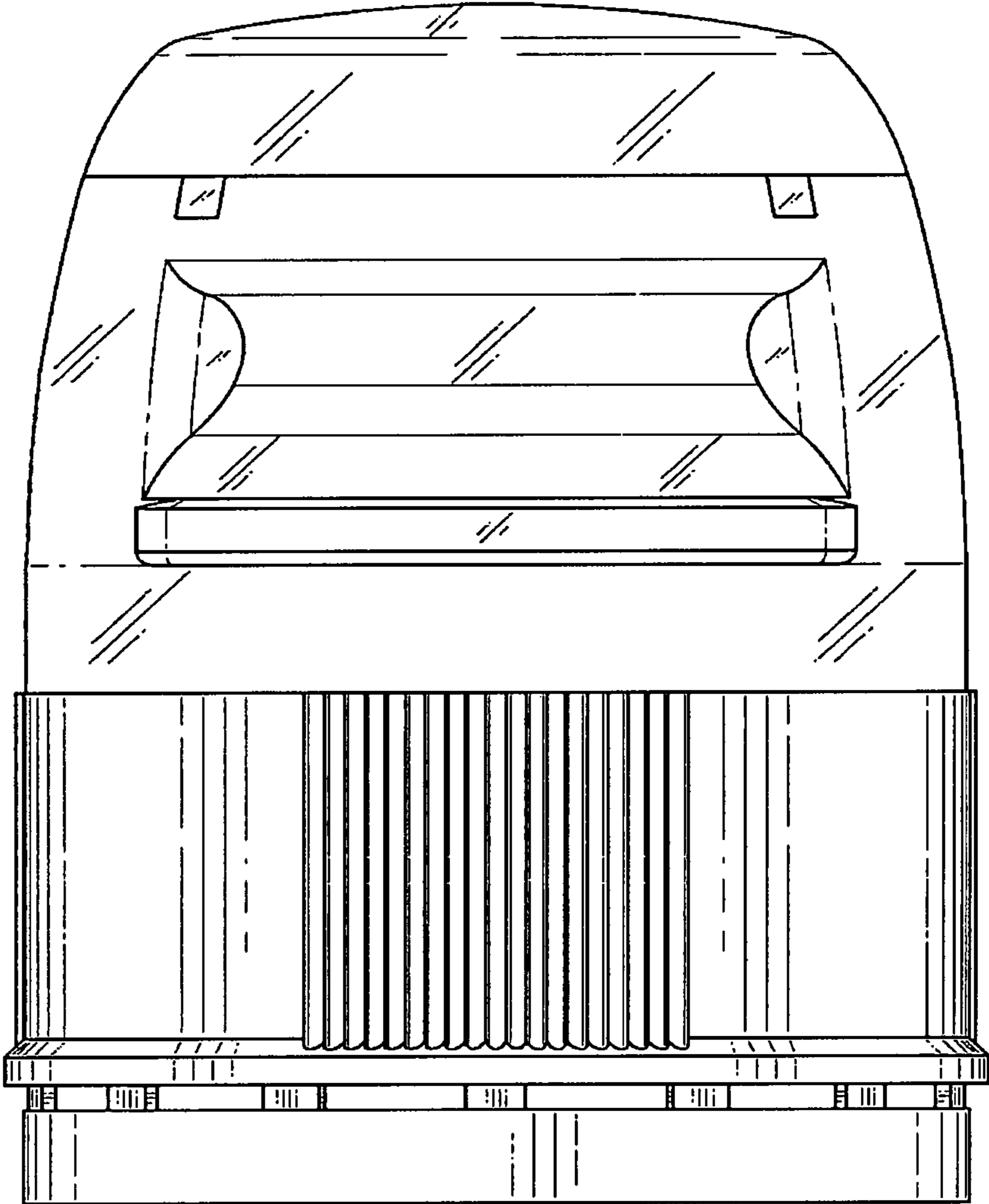


FIG. 3

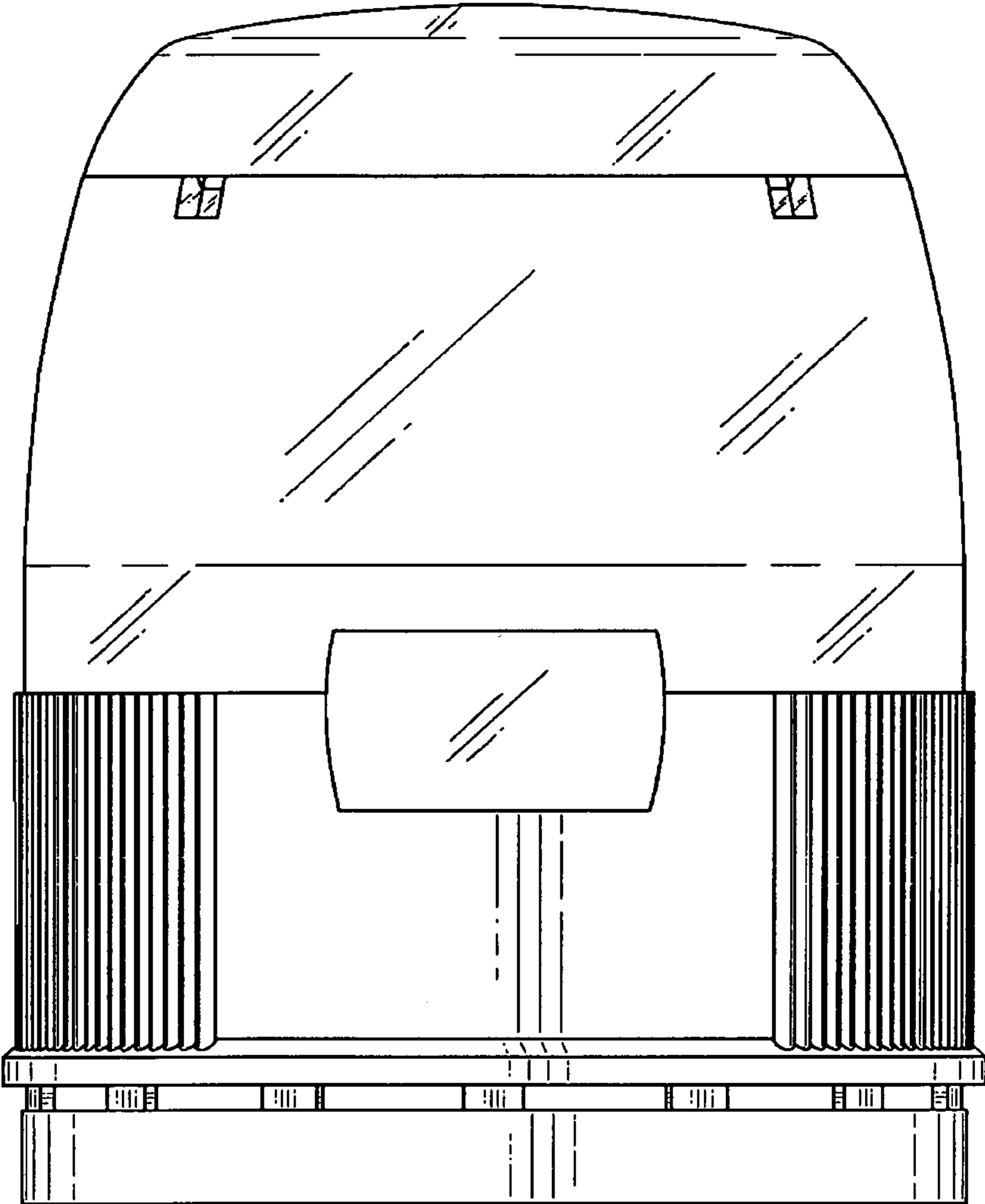


FIG. 4

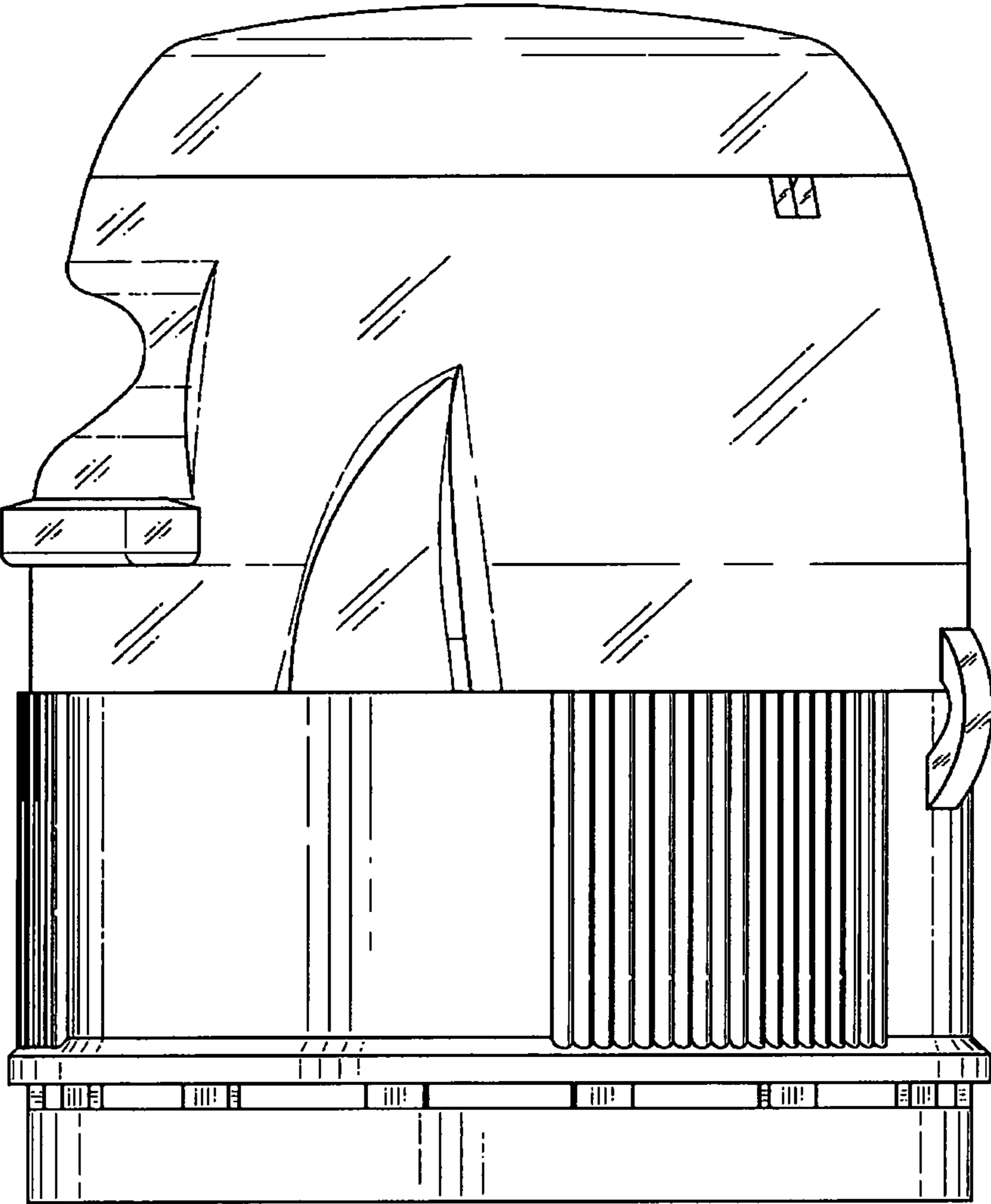


FIG. 5

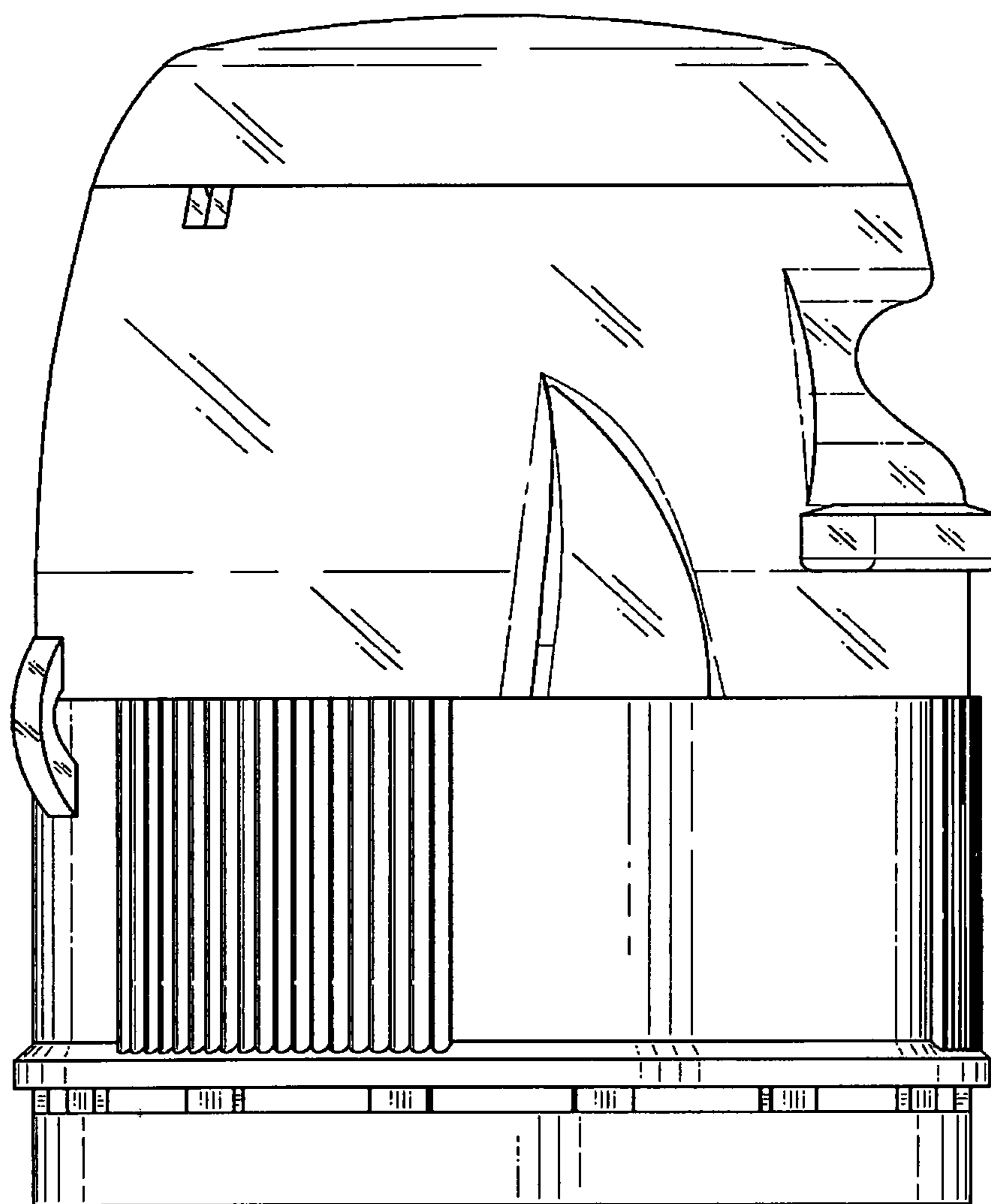


FIG. 6

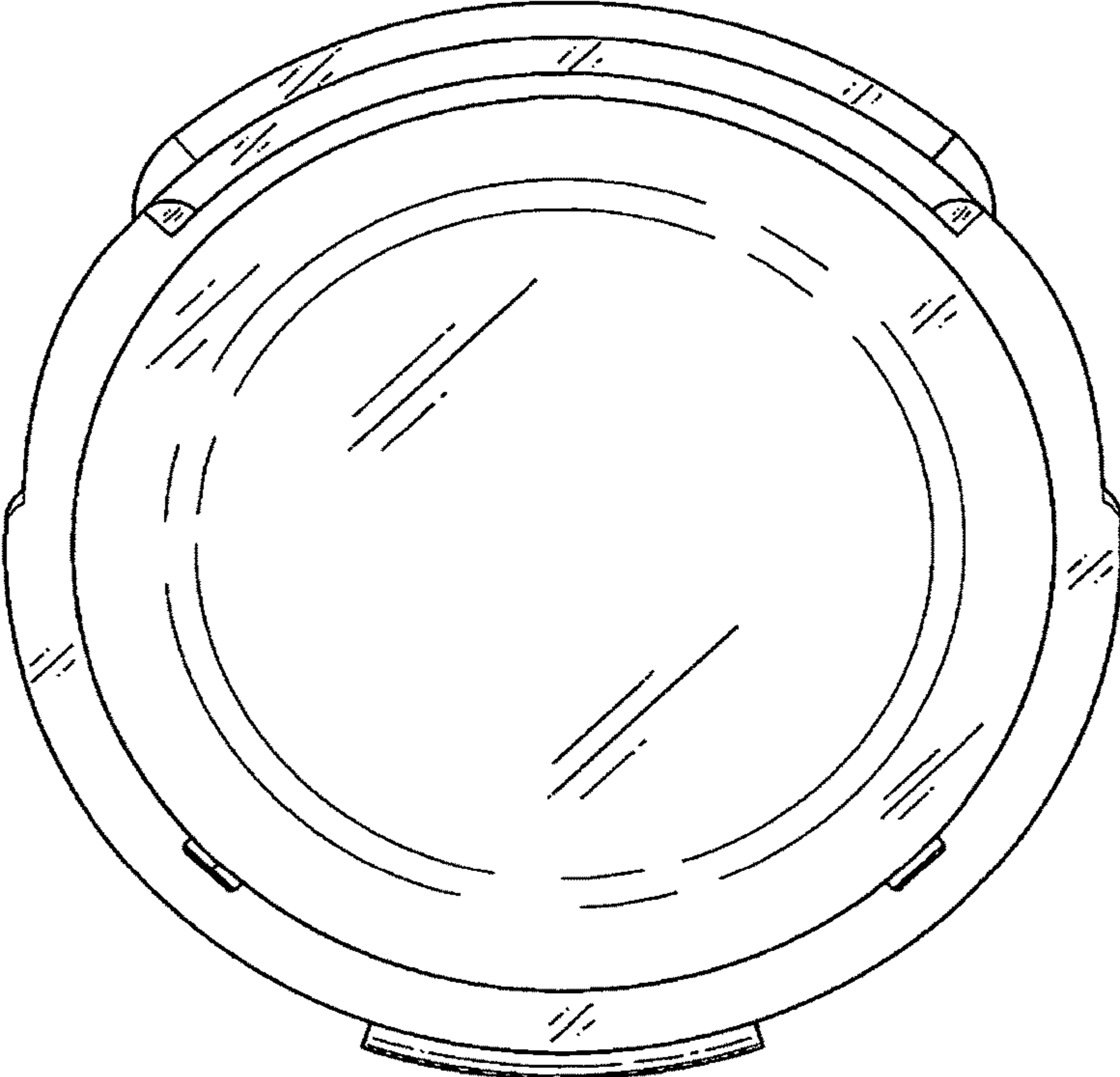


FIG. 7

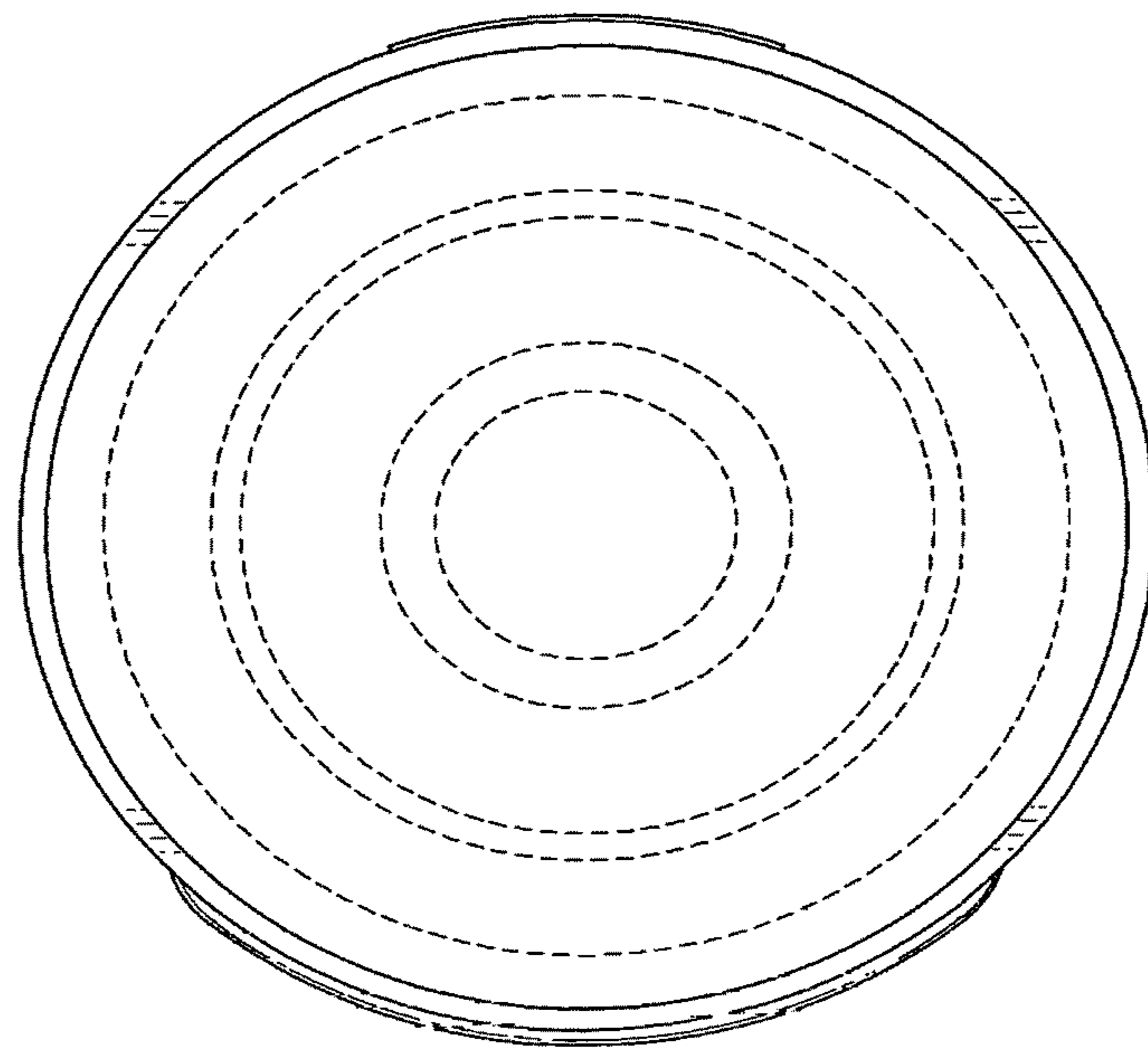


FIG. 8