



US00D782903S

(12) **United States Design Patent**
Heindl

(10) **Patent No.:** **US D782,903 S**

(45) **Date of Patent:** **** Apr. 4, 2017**

(54) **CONNECTING ELEMENT FOR SHEET PILES**

(71) Applicant: **Richard Heindl**, Graefelfing (DE)

(72) Inventor: **Richard Heindl**, Graefelfing (DE)

(**) Term: **15 Years**

(21) Appl. No.: **29/536,065**

(22) Filed: **Aug. 13, 2015**

(30) **Foreign Application Priority Data**

Feb. 20, 2015 (EM) 002637892

(51) **LOC (10) Cl.** **08-08**

(52) **U.S. Cl.**
USPC **D8/382**

(58) **Field of Classification Search**
USPC D8/382, 394, 395; D25/119
CPC E02D 5/02; E02D 5/04; E02D 5/06; E02D
5/08; E02D 5/12; Y10T 403/73
See application file for complete search history.

(56) **References Cited**

U.S. PATENT DOCUMENTS

976,573 A * 11/1910 Jones E02D 5/04
405/278
1,003,777 A * 9/1911 Neilson E02D 5/04
405/281
1,005,514 A * 10/1911 Conkling E02D 5/04
29/440

1,070,833 A * 8/1913 Neilson E02D 5/04
405/278
D299,760 S * 2/1989 Hagg D25/119
D421,137 S * 2/2000 Marshall D25/119
D465,291 S * 11/2002 Marshall D25/119
D618,990 S * 7/2010 Heindl D8/382

FOREIGN PATENT DOCUMENTS

DE 4020130018690028 9/2013
RU 83669 6/2009

OTHER PUBLICATIONS

Russian Office Action dated Mar. 31, 2016 from counterpart Russian Application No. 2015502955/49.

* cited by examiner

Primary Examiner — Sandra Snapp

Assistant Examiner — Ieisha Price

(74) *Attorney, Agent, or Firm* — Shuttleworth & Ingersoll, PLC; Timothy J. Klima

(57) **CLAIM**

The ornamental design for a connecting element for sheet piles, as shown and described.

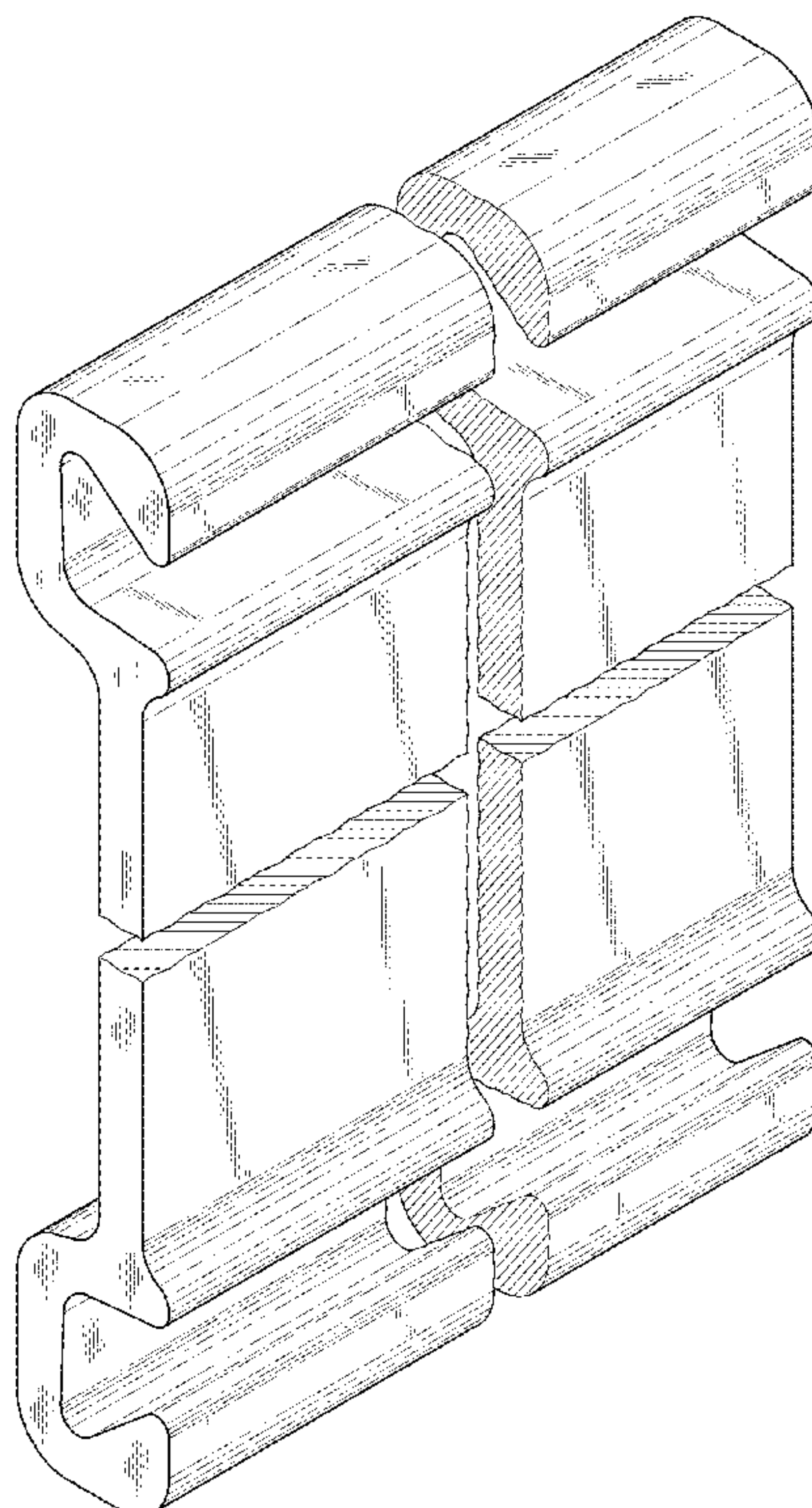
DESCRIPTION

FIG. 1 is a perspective view of a connecting element for sheet piles; and,

FIG. 2 is a side view thereof.

All portions of the connecting element for sheet piles located between the break lines form no part of the claimed design.

1 Claim, 2 Drawing Sheets



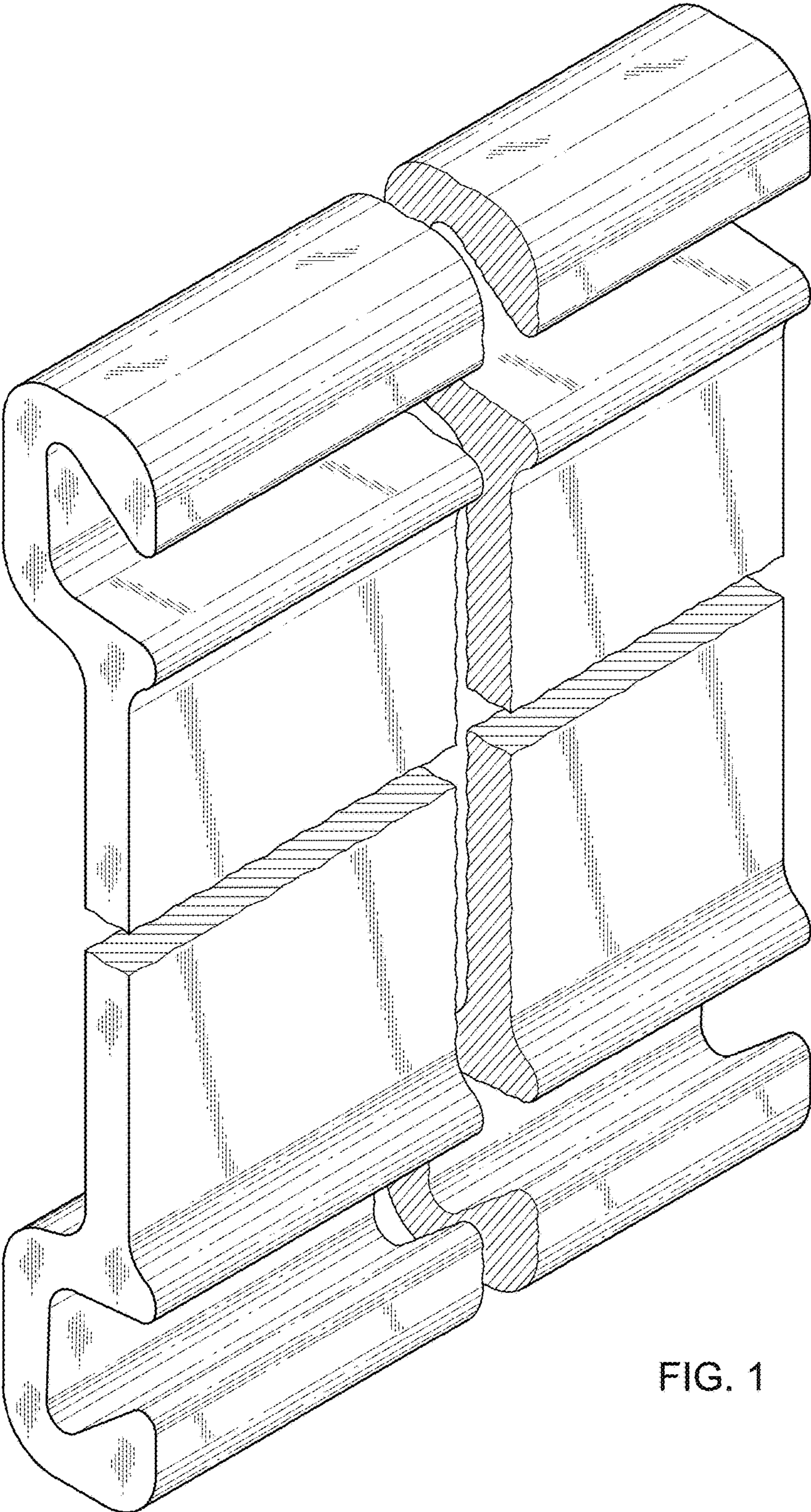


FIG. 1

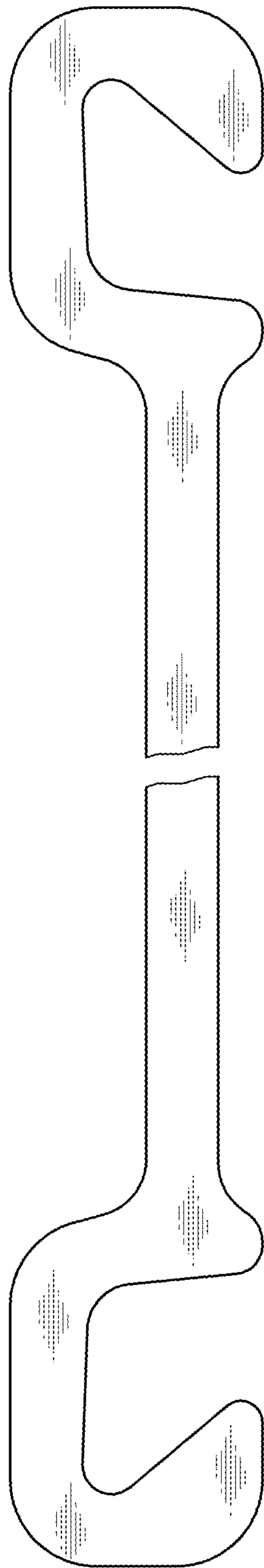


FIG. 2