



US00D782902S

(12) **United States Design Patent**
Paulin

(10) **Patent No.:** **US D782,902 S**

(45) **Date of Patent:** **** Apr. 4, 2017**

- (54) **DECK RAIL CONNECTOR**
- (71) Applicant: **John Paulin**, Statham, GA (US)
- (72) Inventor: **John Paulin**, Statham, GA (US)
- (**) Term: **15 Years**
- (21) Appl. No.: **29/530,216**
- (22) Filed: **Jun. 15, 2015**
- (51) **LOC (10) Cl.** **08-08**
- (52) **U.S. Cl.**
USPC **D8/382**
- (58) **Field of Classification Search**
USPC D8/382, 349, 354, 355, 363, 366, 499;
D25/38.1, 39, 41.1, 43, 44, 199
CPC E04H 17/1413; E04H 17/1421; E04H
2017/146; E04F 11/00; E04F 11/1802;
E04F 11/1804; E04F 11/1808; E04F
11/1817; E04F 11/18127; E04F 11/1836;
E04F 11/1838; E04F 2011/1868; E04F
2011/1887
See application file for complete search history.

- D499,011 S * 11/2004 Rizzo D8/499
- D499,332 S * 12/2004 Rizzo D8/499
- 6,957,517 B2 * 10/2005 Auriemma E04B 9/061
52/506.06
- D512,303 S * 12/2005 Prichard, Jr. D8/499
- D532,679 S 11/2006 Ignagni
- 7,174,690 B2 * 2/2007 Zadeh E04B 1/2403
52/712
- D585,269 S * 1/2009 Prichard, Jr. D8/382
- D587,100 S * 2/2009 Allsopp D8/356
- D610,899 S * 3/2010 Hikai D8/382
- D620,784 S * 8/2010 Hikai D8/382
- D656,393 S * 3/2012 Honda D8/349

* cited by examiner

Primary Examiner — Ian Simmons
Assistant Examiner — Ieisha Price
(74) *Attorney, Agent, or Firm* — Mitch Harris, LLC;
Andrew M. Harris

(57) **CLAIM**

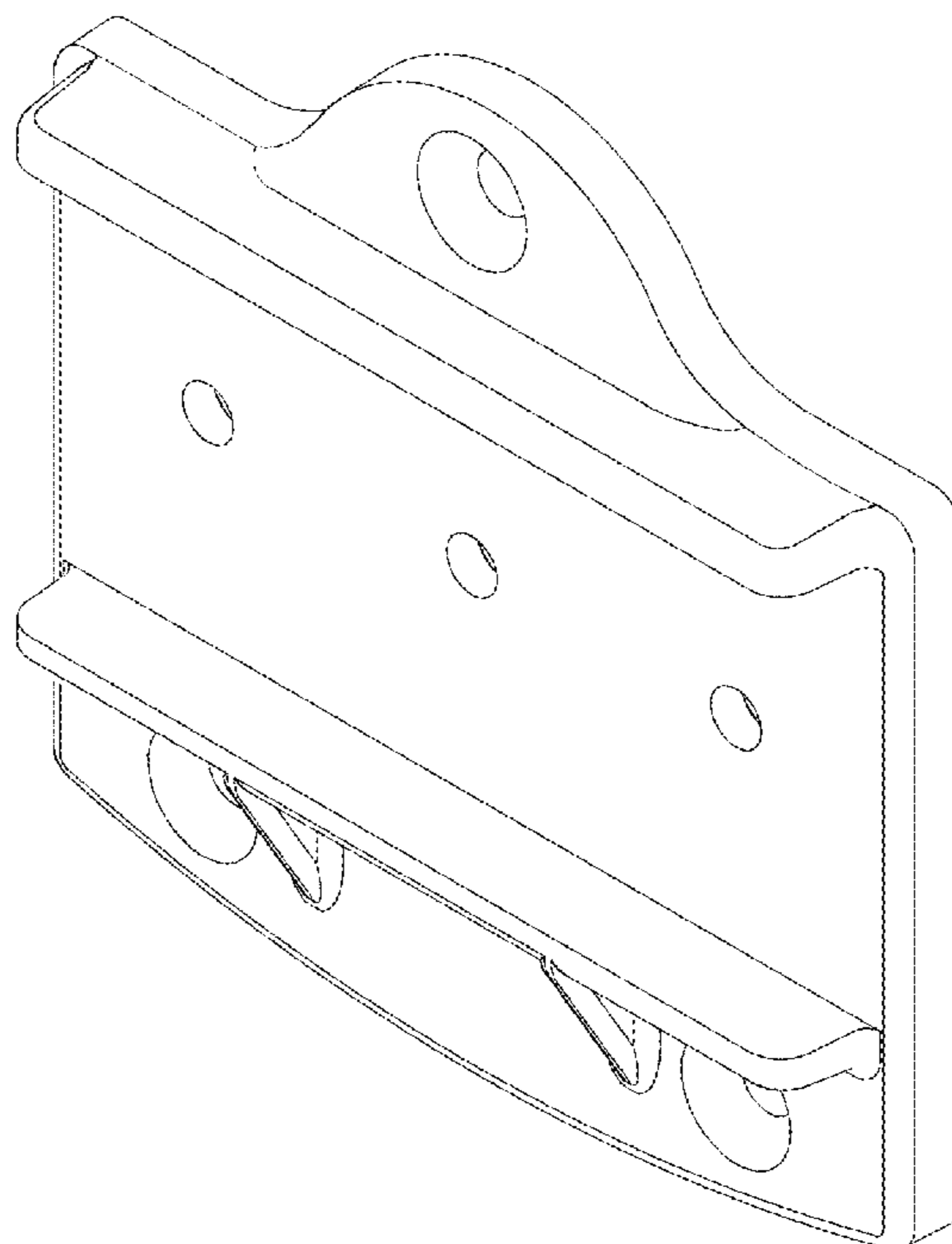
The ornamental design for a deck rail connector, as shown and described.

DESCRIPTION

FIG. 1 is an isometric view of the deck rail connector.
FIG. 2 is a front view of the deck rail connector.
FIG. 3 is a back view of the deck rail connector.
FIG. 4 is a side view of the deck rail connector.
FIG. 5 is the opposing side view of FIG. 4.
FIG. 6 is a top view of the deck rail connector; and,
FIG. 7 is a bottom view of the deck rail connector.
The broken lines in the drawings illustrate portions of the deck rail connector that form no part of the claimed design.

1 Claim, 3 Drawing Sheets

- (56) **References Cited**
U.S. PATENT DOCUMENTS
- 1,743,809 A * 1/1930 Derby F16C 25/02
384/626
- D375,038 S * 10/1996 Trevorrow D8/354
- D378,313 S * 3/1997 Doyle D24/128
- D419,863 S * 2/2000 Mullane D8/499
- 6,315,489 B1 * 11/2001 Watanabe E04F 13/0846
248/220.21
- D455,068 S * 4/2002 Mullane D8/499
- D478,801 S 8/2003 Spruill



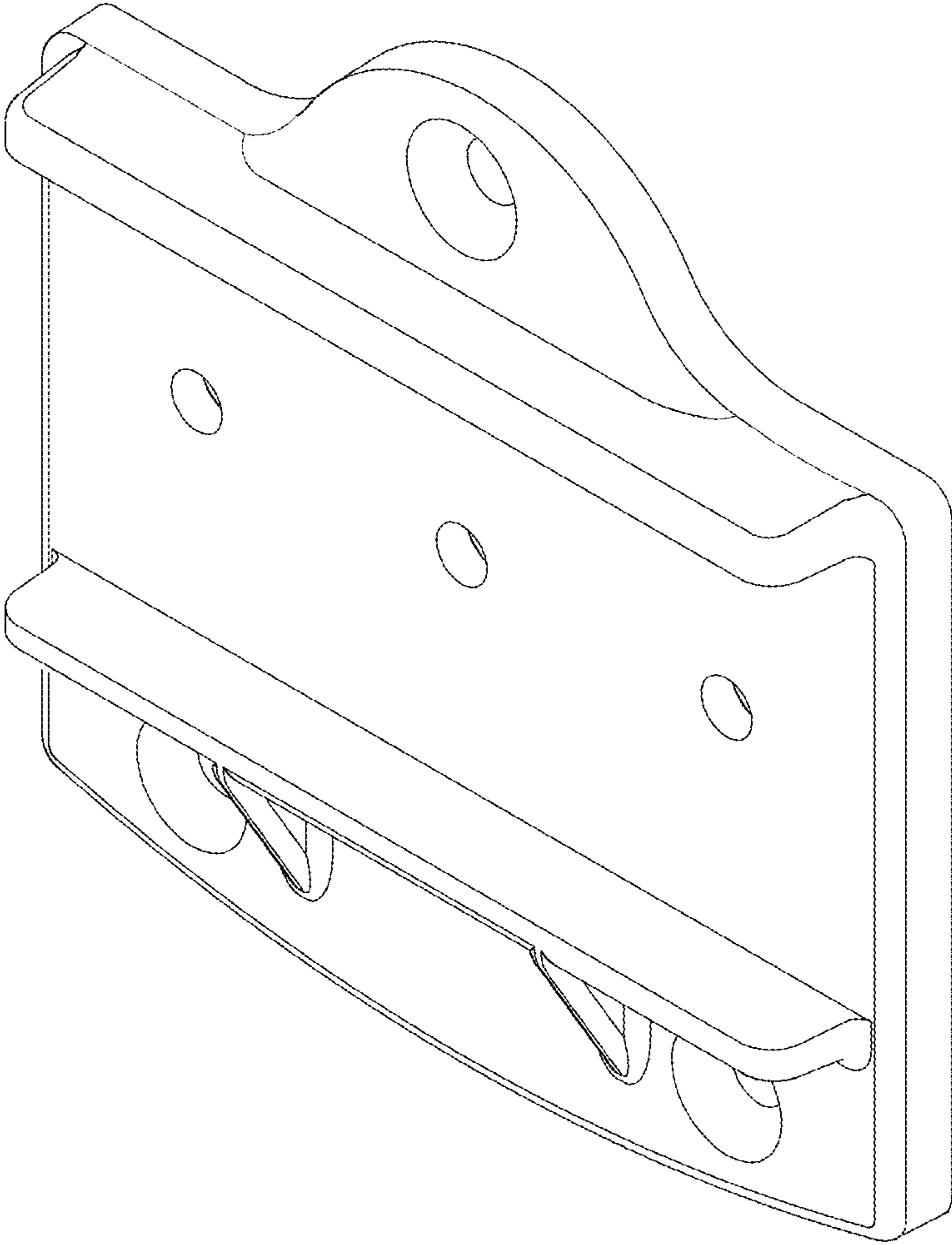


FIG 1

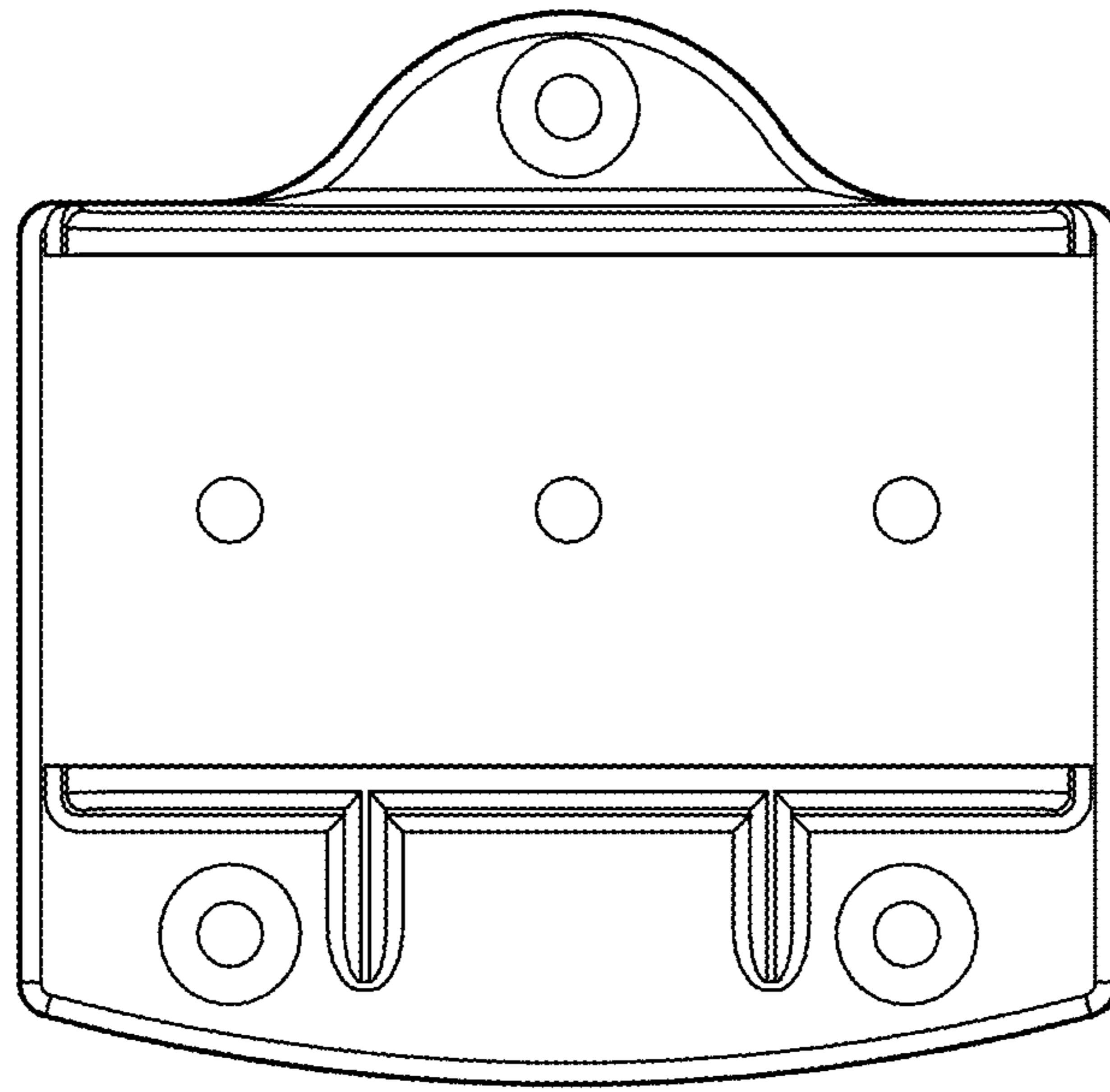


FIG. 2

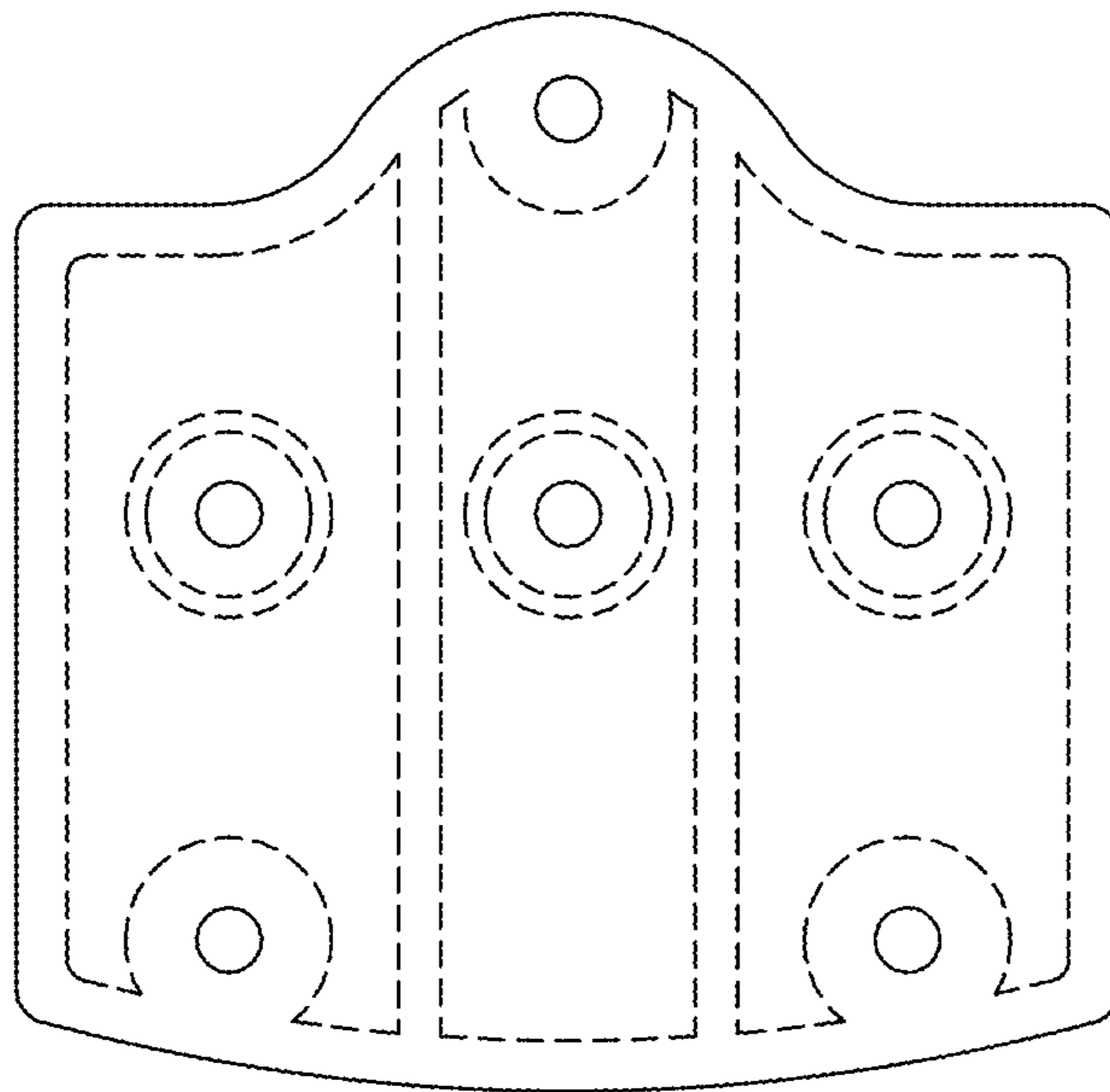


FIG. 3

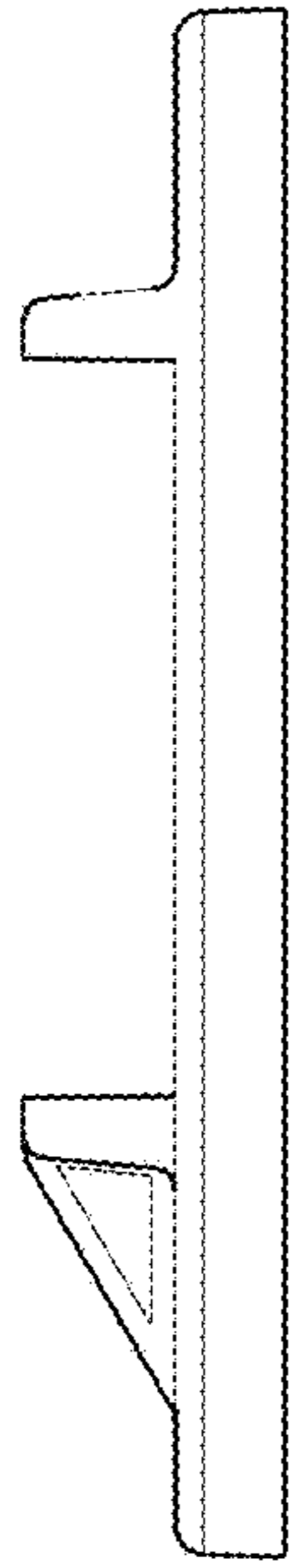


FIG 6

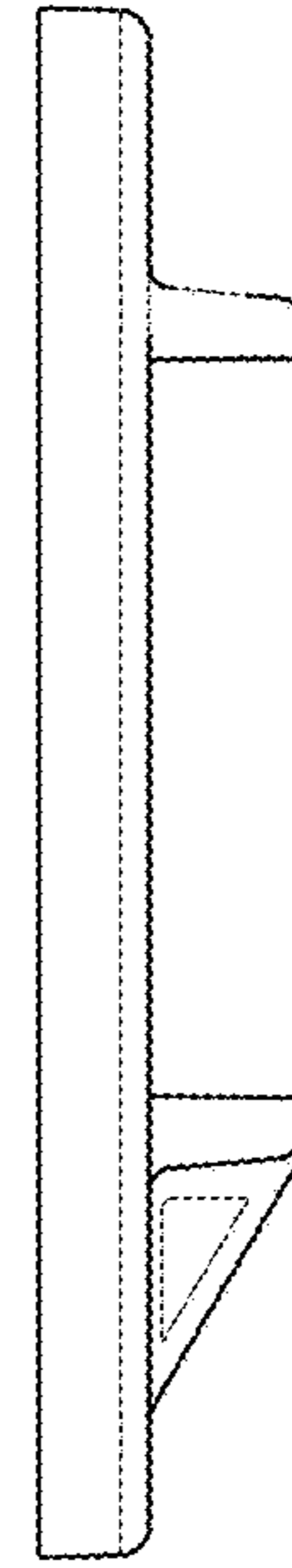


FIG 7

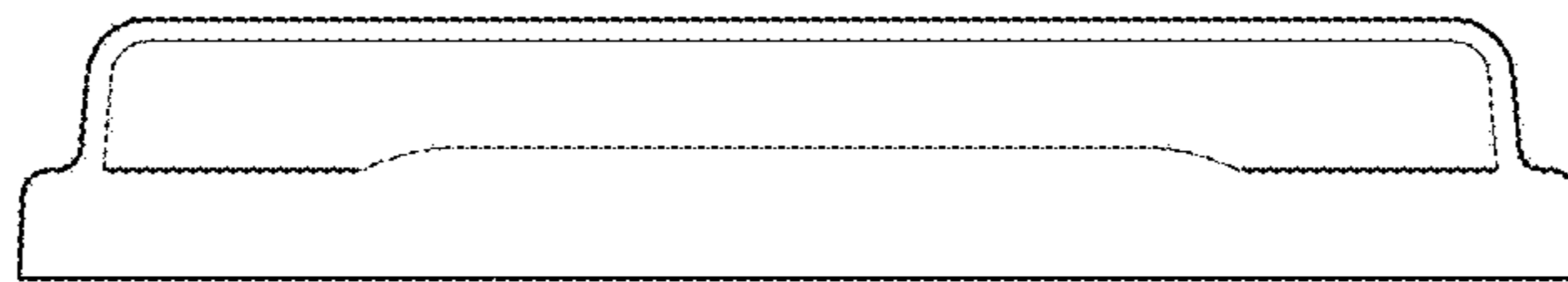


FIG 5

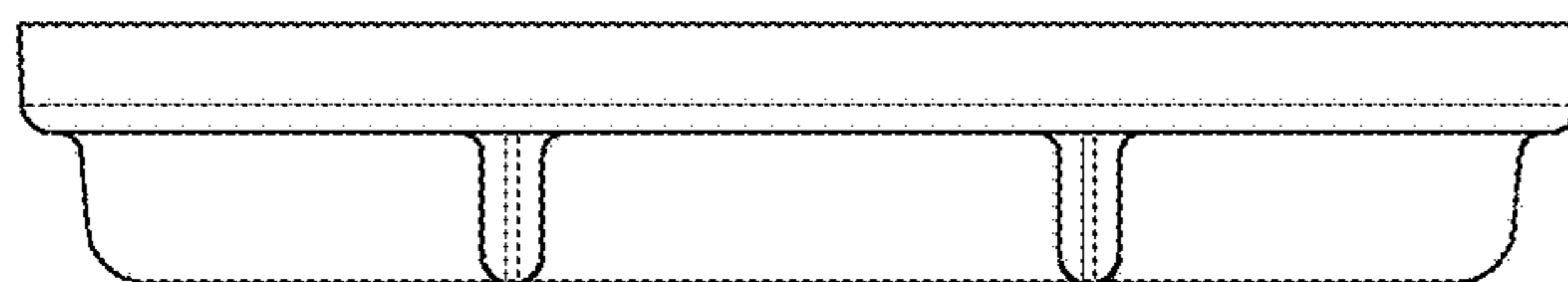


FIG 4