



US00D782901S

(12) **United States Design Patent** (10) **Patent No.:** **US D782,901 S**  
**Richter** (45) **Date of Patent:** **\*\* Apr. 4, 2017**

(54) **HOLDER FOR SWIVEL CONNECTION TO A SUPPORT DEVICE**

D750,633 S \* 3/2016 Minn ..... D14/447  
D752,571 S \* 3/2016 Richter ..... D14/253  
2014/0138419 A1\* 5/2014 Minn ..... B60R 11/0241  
224/567

(71) Applicant: **Harald Richter**, Engelbrand (DE)

\* cited by examiner

(72) Inventor: **Harald Richter**, Engelbrand (DE)

*Primary Examiner* — Lakiya Rogers

(\*\*) Term: **15 Years**

*Assistant Examiner* — Harold E Blackwell, II

(21) Appl. No.: **29/530,167**

(74) *Attorney, Agent, or Firm* — Klaus J. Bach

(22) Filed: **Jun. 14, 2015**

(51) **LOC (10) Cl.** ..... **08-05**

(52) **U.S. Cl.**

USPC ..... **D8/355**

(58) **Field of Classification Search**

USPC ... D14/140, 217, 224, 224.1, 229, 240, 243,  
D14/250–253, 299, 344, 434, 447,  
D14/451–452, 483, 496; D13/108;  
361/679.41; 439/534; 320/116, 107;  
D8/355, 363; D12/415, 418; D3/201,  
D3/218, 269, 273, 301; D11/79; 63/76  
CPC ..... F16B 47/00; F16M 13/00  
See application file for complete search history.

(57) **CLAIM**

The ornamental design for a holder for swivel connection to a support device, as shown and described.

**DESCRIPTION**

FIG. 1 is a perspective view of a holder for swivel connection to a support device;  
FIG. 2 is a right side view of the holder for swivel connection to a support device shown in FIG. 1,  
FIG. 3 is a left side view of the holder for swivel connection to a support device shown in FIG. 2,  
FIG. 4 is a front view of the holder for swivel connection to a support device shown in FIG. 1,  
FIG. 5 is a rear view of the holder for swivel connection to a support device shown in FIG. 1,  
FIG. 6 is a top view of the holder for swivel connection to a support device shown in FIG. 1; and,  
FIG. 7 is a bottom view of the holder for swivel connection to a support device shown in FIG. 1.

In the holder for swivel connection to a support device a swivel connection is provided for swivel engagement of the holder with the support device. The support device is adapted to hold an apparatus such as cell phone, a GPS or a tablet.

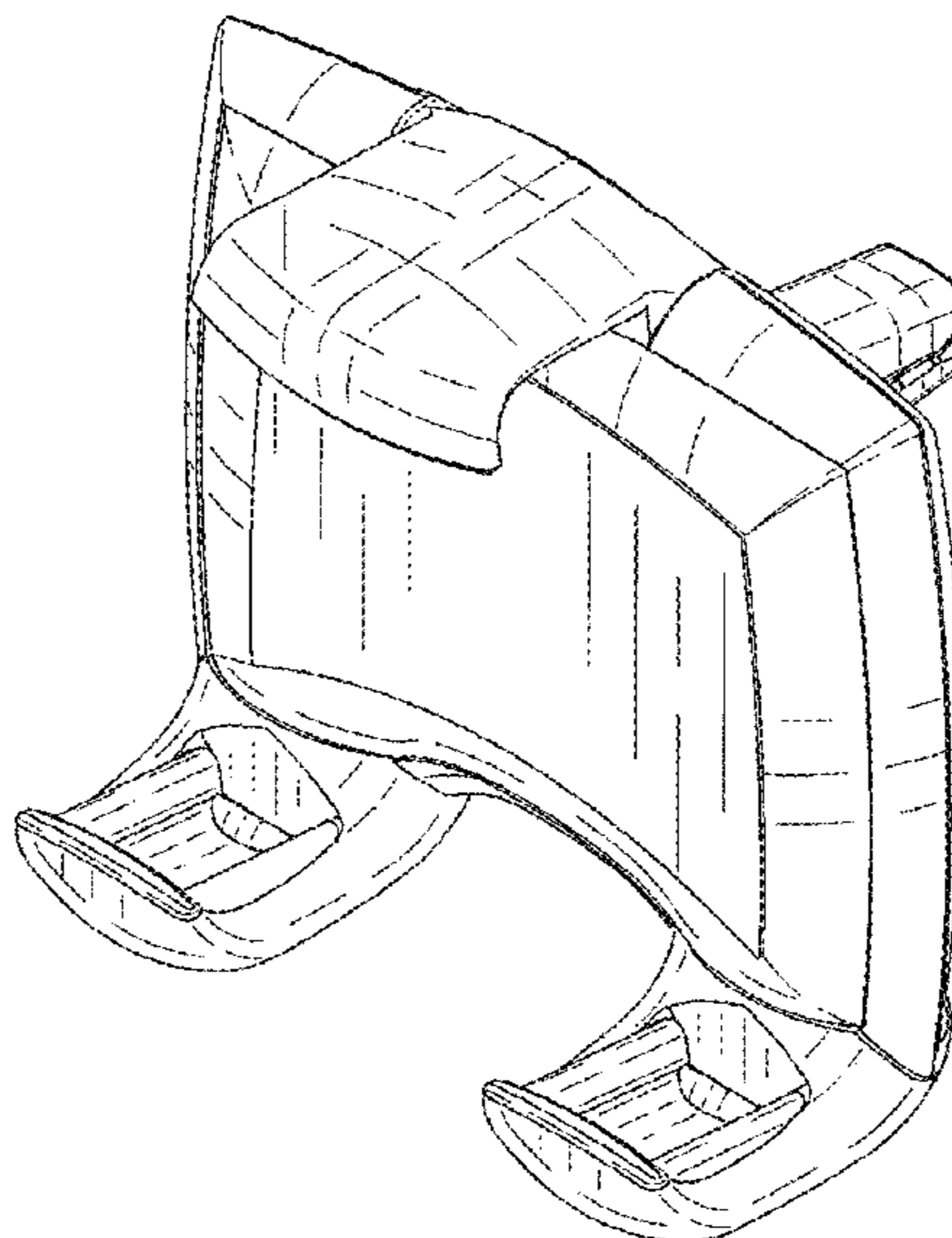
In FIG. 5, the features shown by dashed lines are not part of the claimed design.

(56) **References Cited**

**U.S. PATENT DOCUMENTS**

D658,169 S *	4/2012	Mo	.....	D14/253
D667,003 S *	9/2012	Richter	.....	D14/253
D669,459 S *	10/2012	Kim	.....	D14/253
D669,890 S *	10/2012	Hopkins	.....	D14/251
D670,691 S *	11/2012	Novak	.....	D14/253
D672,341 S *	12/2012	Mo	.....	D14/251
D690,707 S *	10/2013	Minn	.....	D14/447
D720,759 S *	1/2015	Deng	.....	D14/447
D723,042 S *	2/2015	Lee	.....	D14/447
D733,115 S *	6/2015	Aspinall	.....	D14/253
D738,873 S *	9/2015	Kim	.....	D14/253
D741,146 S *	10/2015	Delrue	.....	D14/447

**1 Claim, 7 Drawing Sheets**



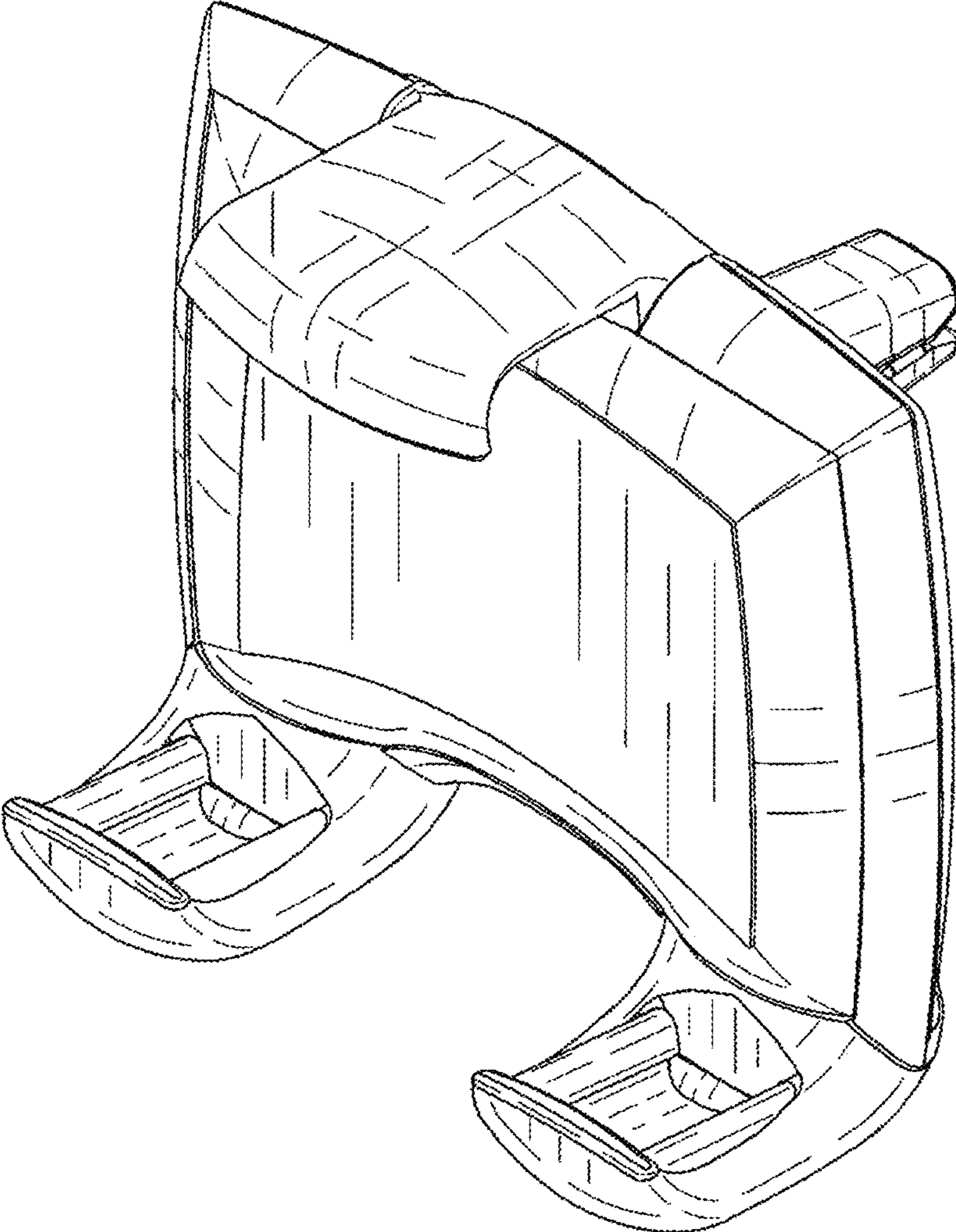


FIG. 1

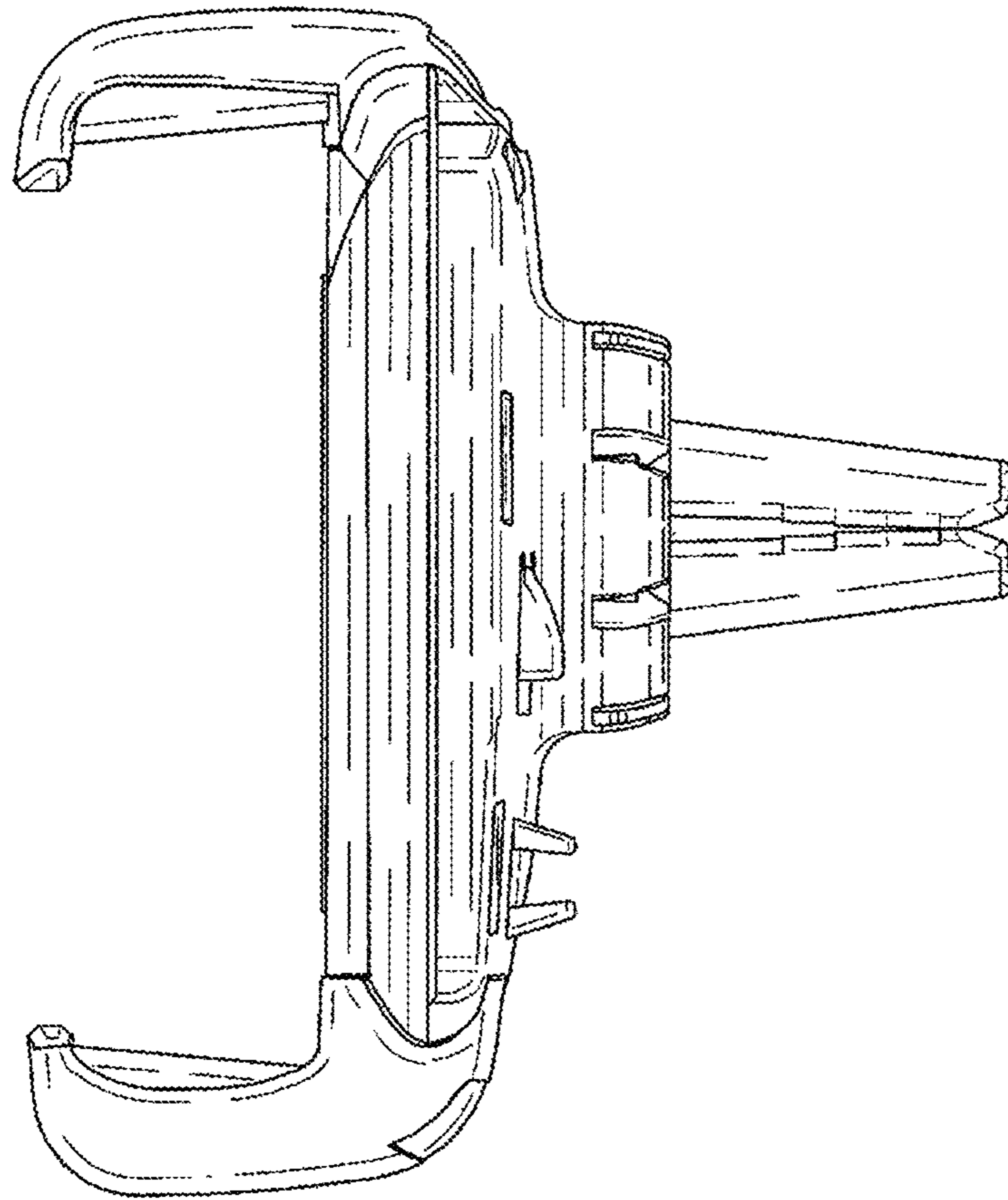
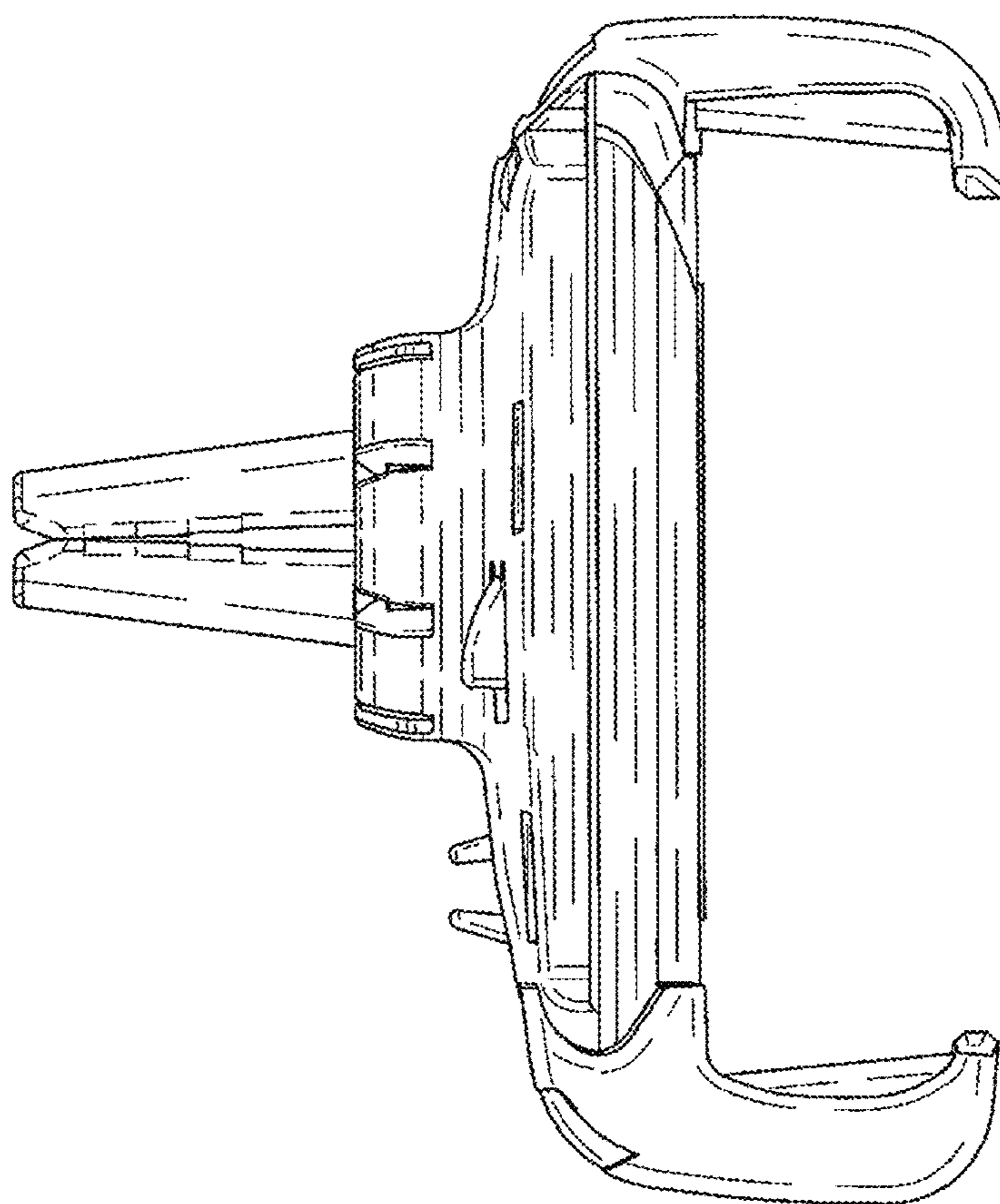
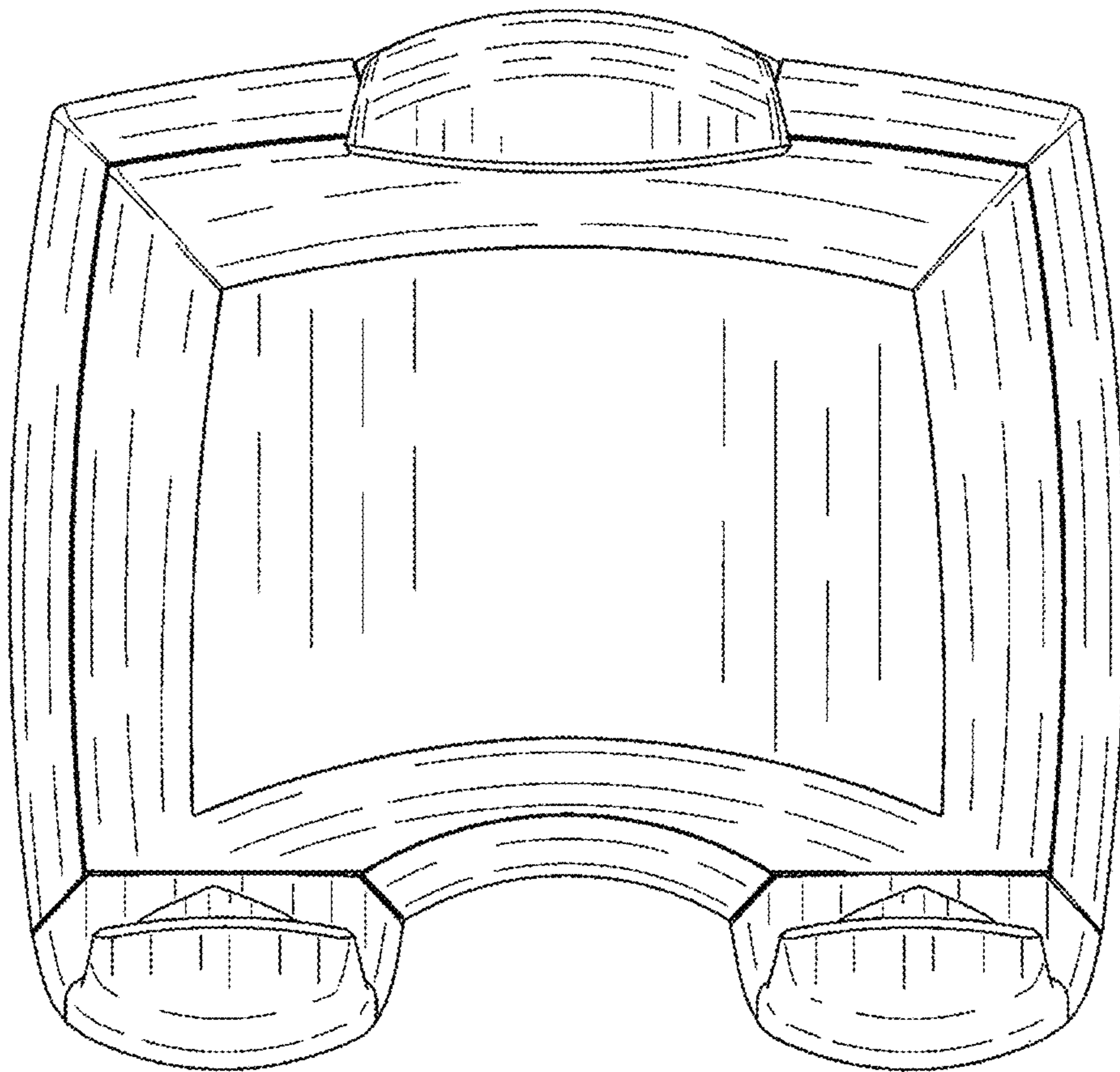


FIG. 2



*FIG. 3*



*FIG. 4*

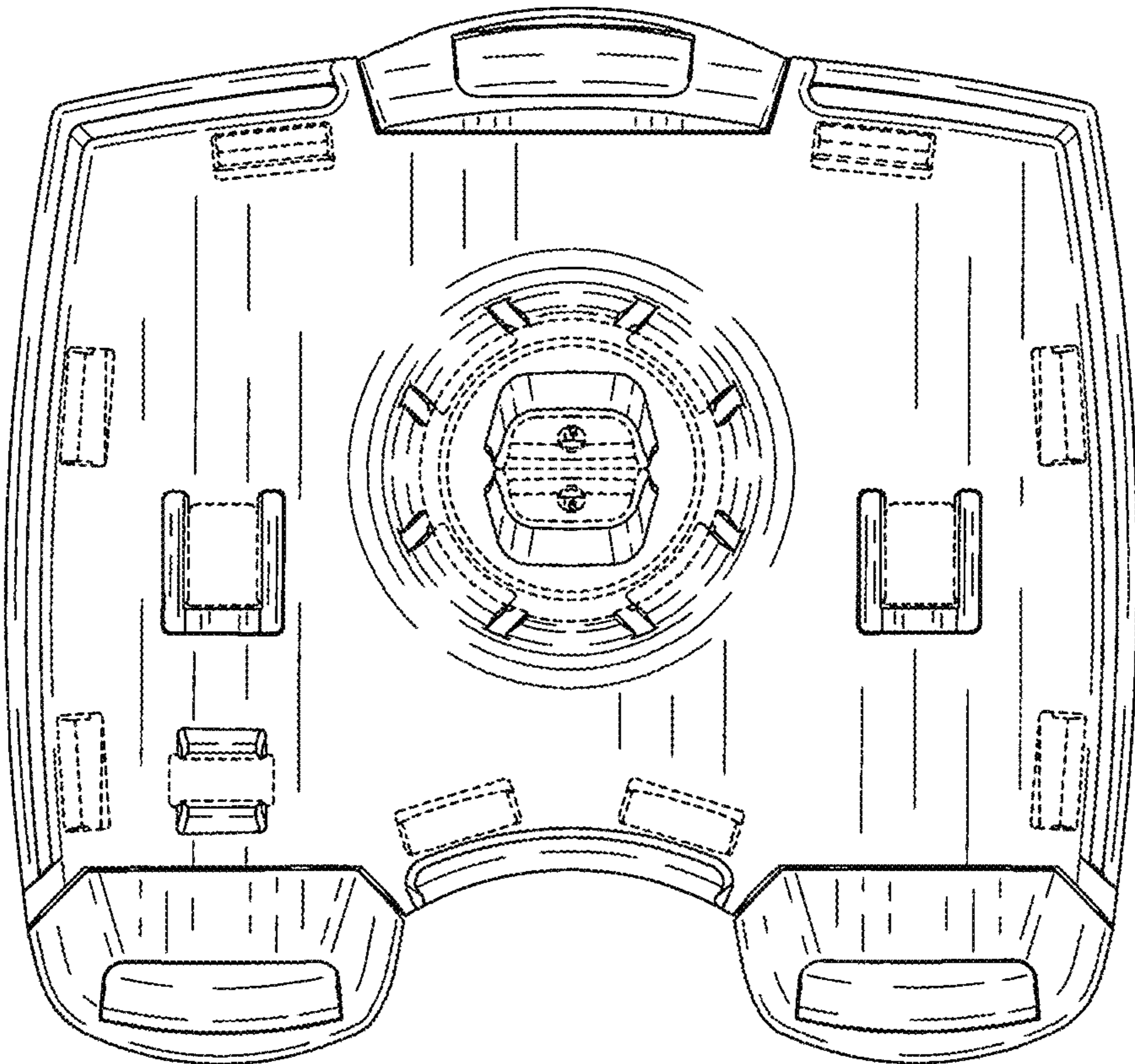
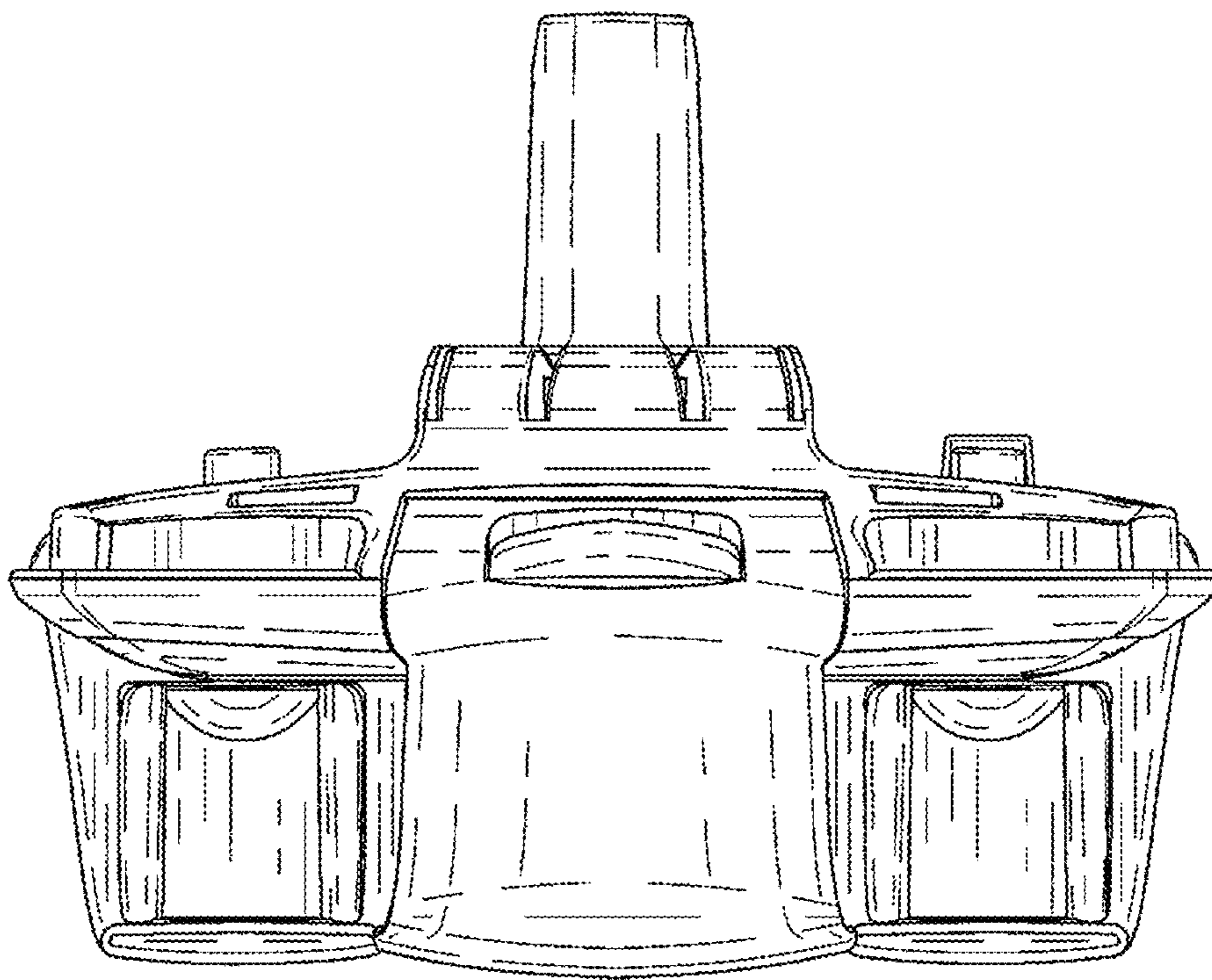
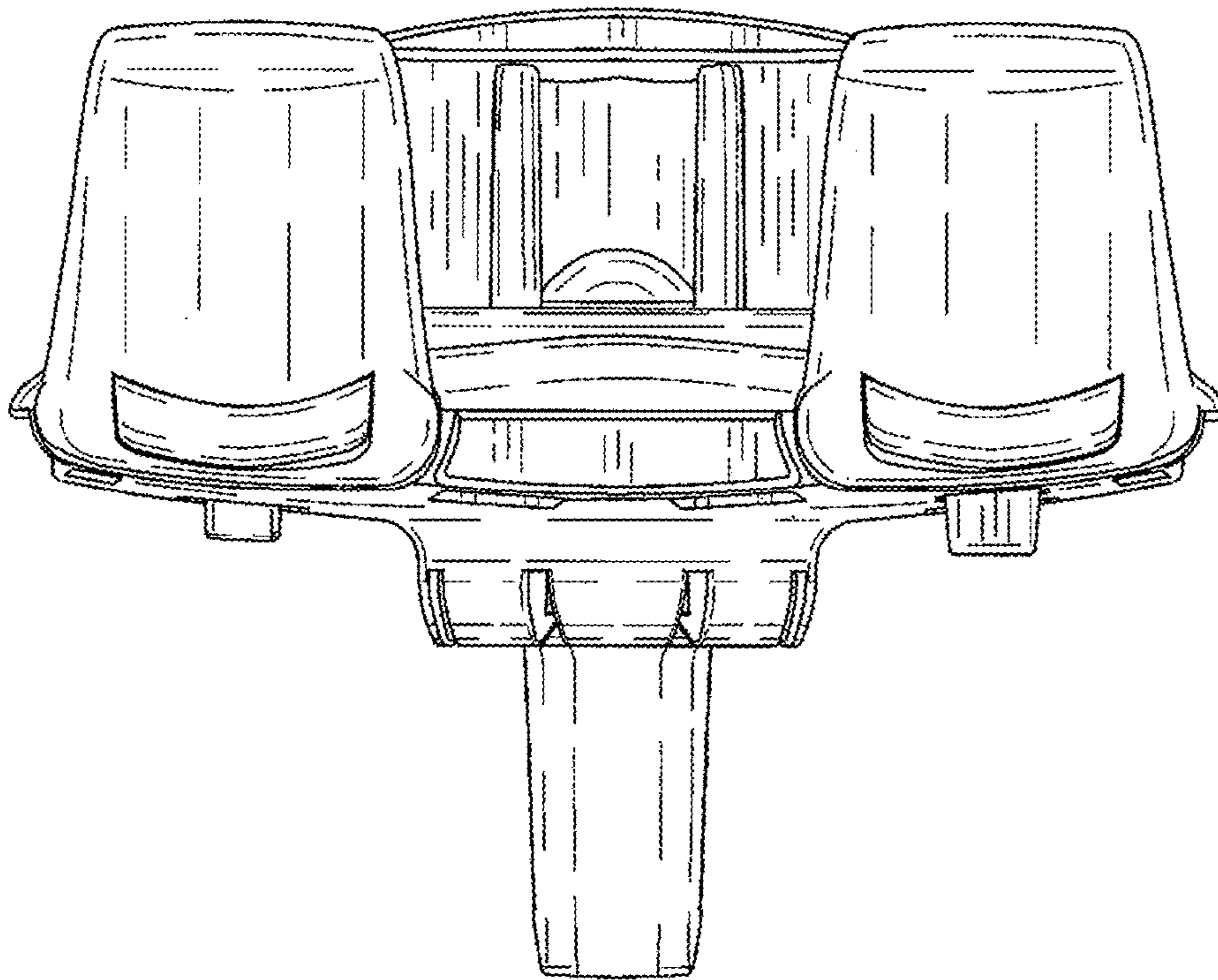


FIG. 5



*FIG. 6*



*FIG. 7*