



US00D782900S

(12) **United States Design Patent**
Mendoza

(10) **Patent No.:** **US D782,900 S**

(45) **Date of Patent:** **** Apr. 4, 2017**

- (54) **KEY BODY**
- (71) Applicant: **Joseph A. Mendoza**, Granite Bay, CA (US)
- (72) Inventor: **Joseph A. Mendoza**, Granite Bay, CA (US)
- (**) Term: **15 Years**
- (21) Appl. No.: **29/555,403**
- (22) Filed: **Feb. 22, 2016**
- (51) **LOC (10) Cl.** **08-07**
- (52) **U.S. Cl.**
USPC **D8/347**
- (58) **Field of Classification Search**
USPC D8/347, 348; 70/51, 336, 344, 348, 391, 70/393, 402, 408, 416, 429, 447
CPC E05B 19/00; E05B 19/20; E05B 13/00; E05B 11/00; E05B 19/04
See application file for complete search history.

- 6,601,421 B1 * 8/2003 Chaillie F16B 2/22 70/278.1
- 6,637,245 B1 * 10/2003 Bolton E05B 19/04 70/278.3
- D512,902 S * 12/2005 Neset D8/347
- D515,402 S * 2/2006 Wilhelm D8/347
- 7,360,383 B1 * 4/2008 Chang E05B 19/04 40/330
- D592,935 S * 5/2009 Mesh D8/347
- D713,238 S * 9/2014 Kumada D8/347
- D733,523 S * 7/2015 Kobayashi D8/347

* cited by examiner

Primary Examiner — Prabhakar Deshmukh

(74) *Attorney, Agent, or Firm* — Heisler & Associates

(57) **CLAIM**

The ornamental design for a key body, as shown and described.

DESCRIPTION

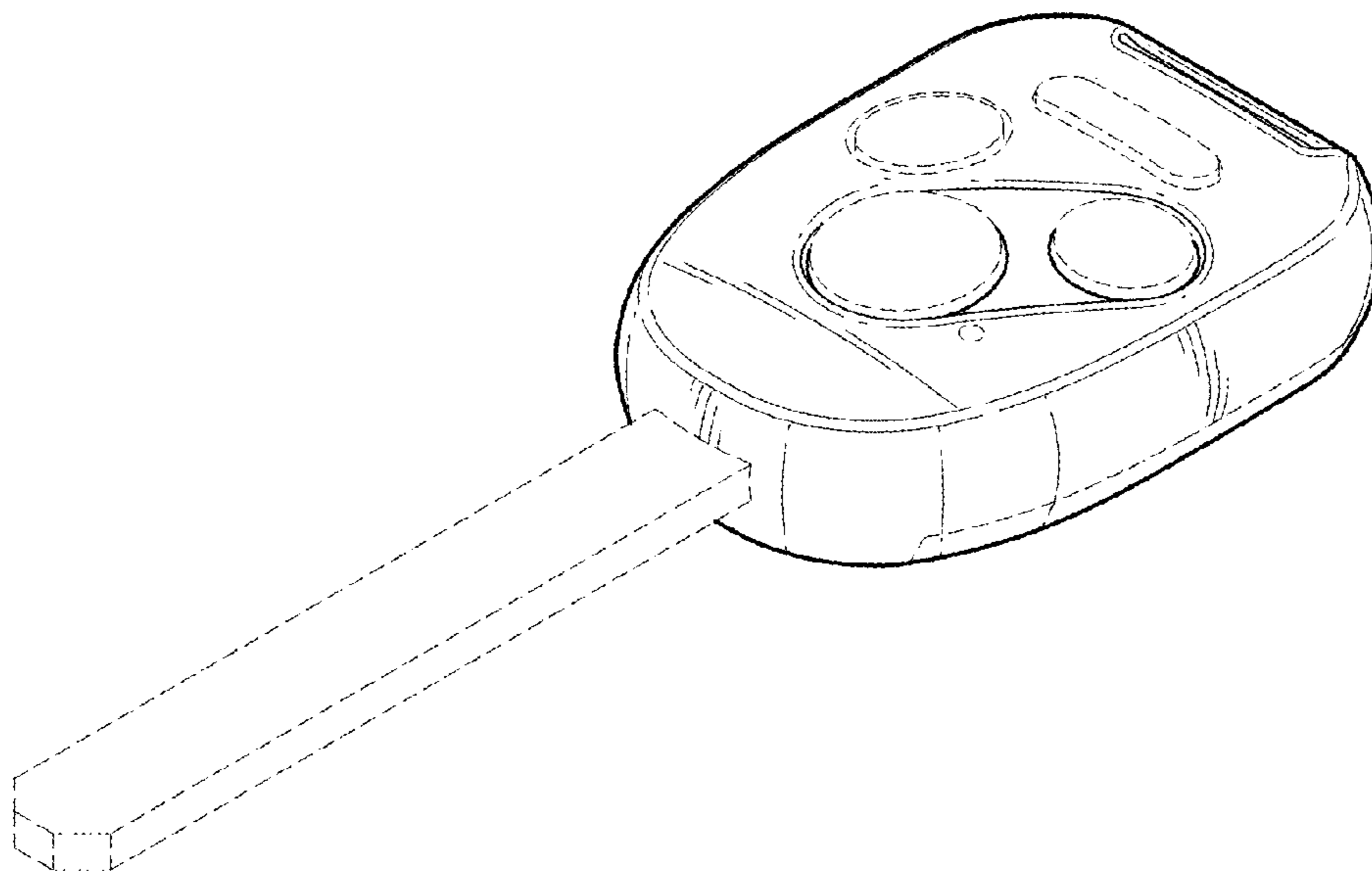
FIG. 1 is a perspective view of a key body showing my new design;
 FIG. 2 is a top plan view thereof;
 FIG. 3 is a front elevational view thereof;
 FIG. 4 is a bottom plan view thereof;
 FIG. 5 is a rear elevational view thereof;
 FIG. 6 is a left side elevational view thereof; and,
 FIG. 7 is a rights side elevational view thereof.
 The broken lines illustrate unclaimed portions and form no part of the claimed design.

1 Claim, 3 Drawing Sheets

(56) **References Cited**

U.S. PATENT DOCUMENTS

- D358,543 S * 5/1995 Amber D8/347
- 5,832,761 A * 11/1998 Chen E05B 19/00 70/395
- D406,046 S * 2/1999 Coe D8/347
- 6,386,007 B1 * 5/2002 Johnson G01S 3/38 70/257
- 6,473,022 B1 * 10/2002 Wu G07C 9/00944 340/5.6



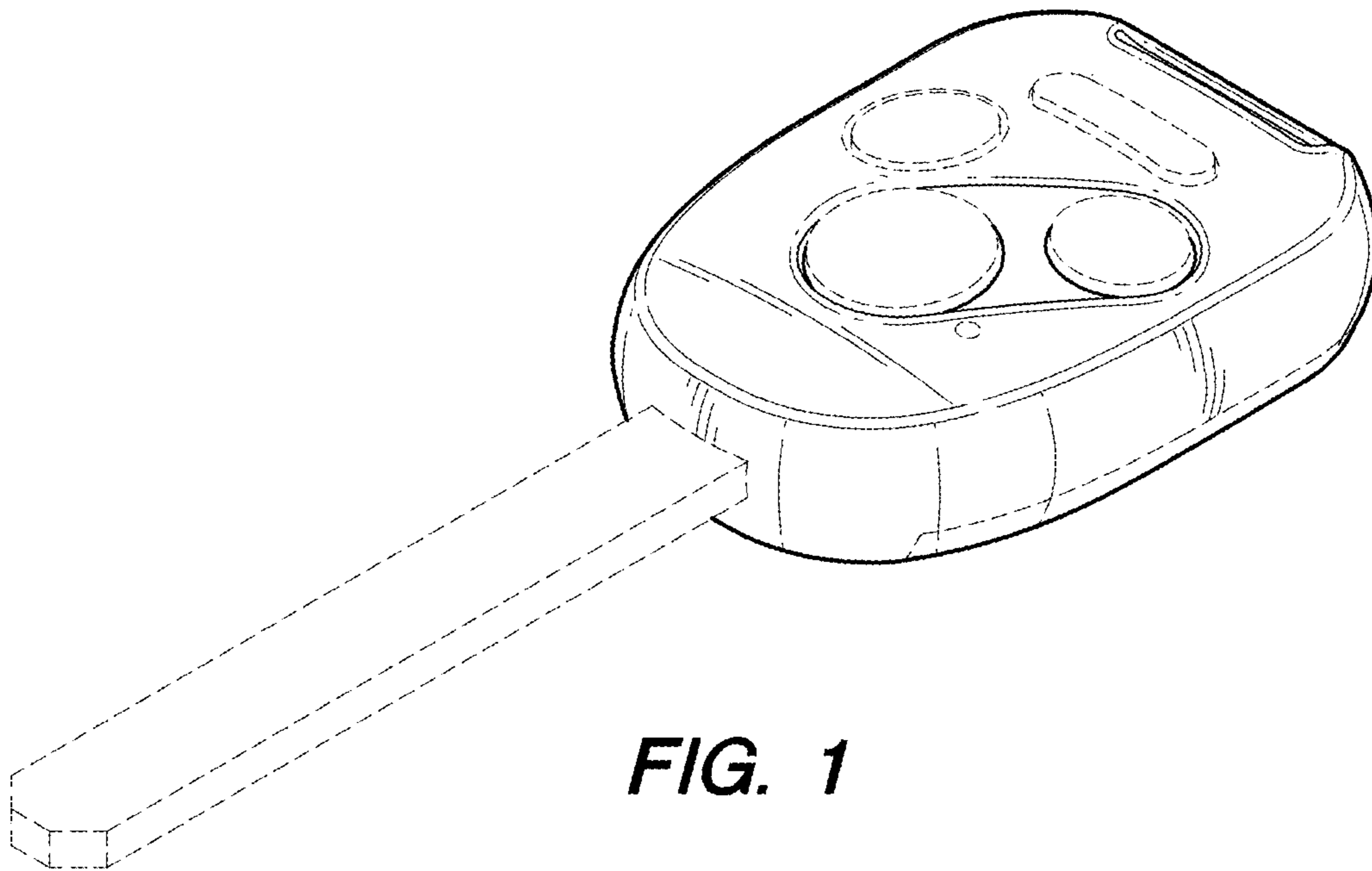


FIG. 1

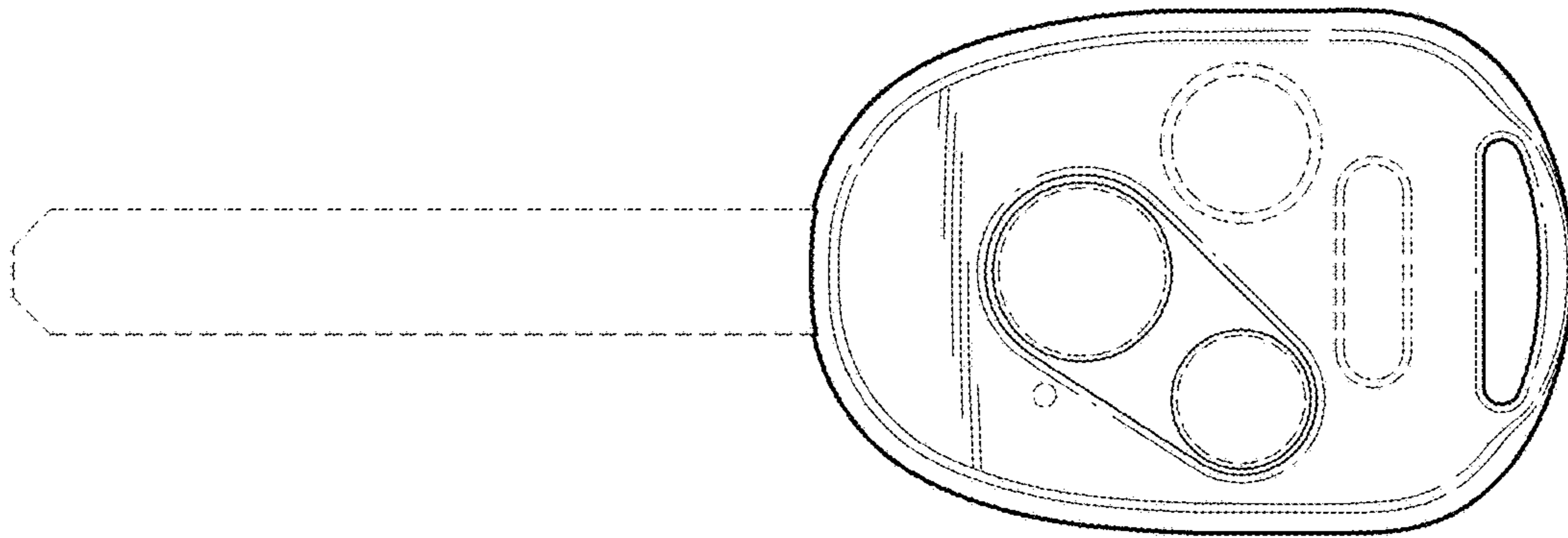


FIG. 2

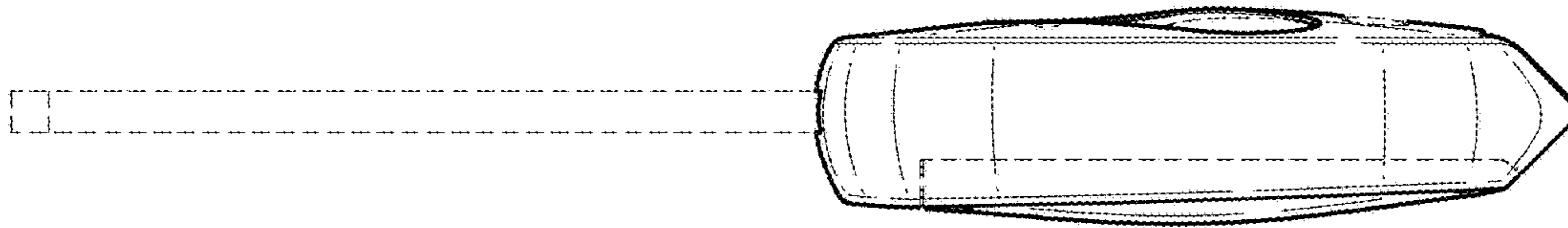


FIG. 3

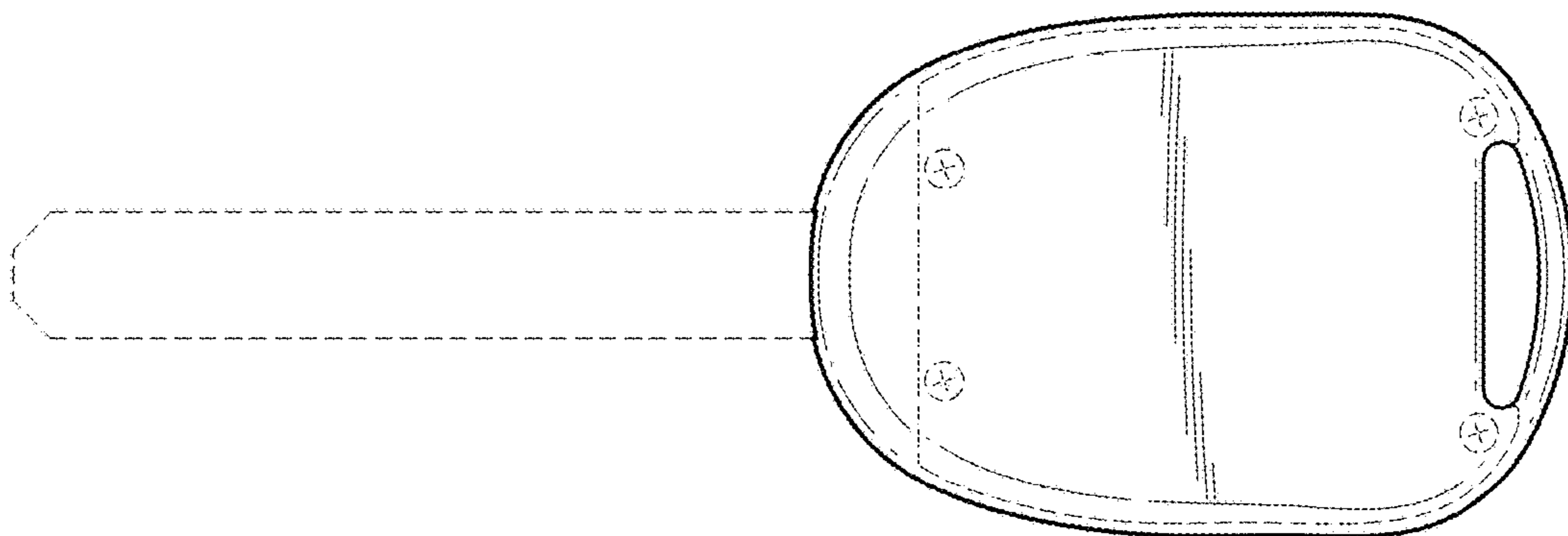


FIG. 4

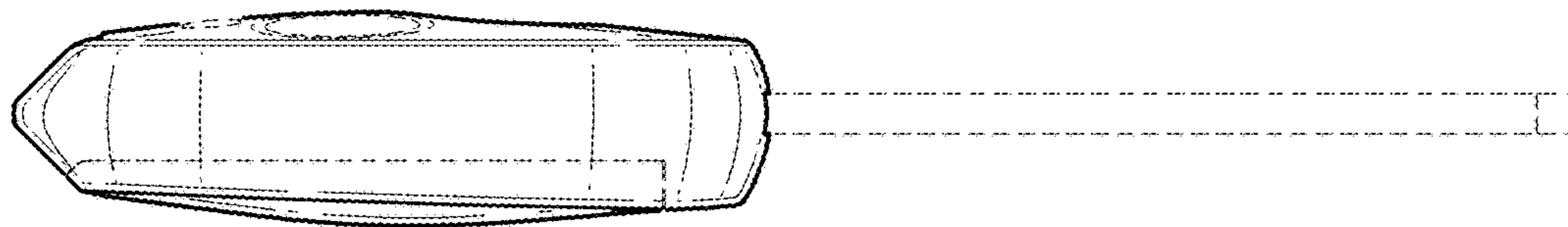


FIG. 5

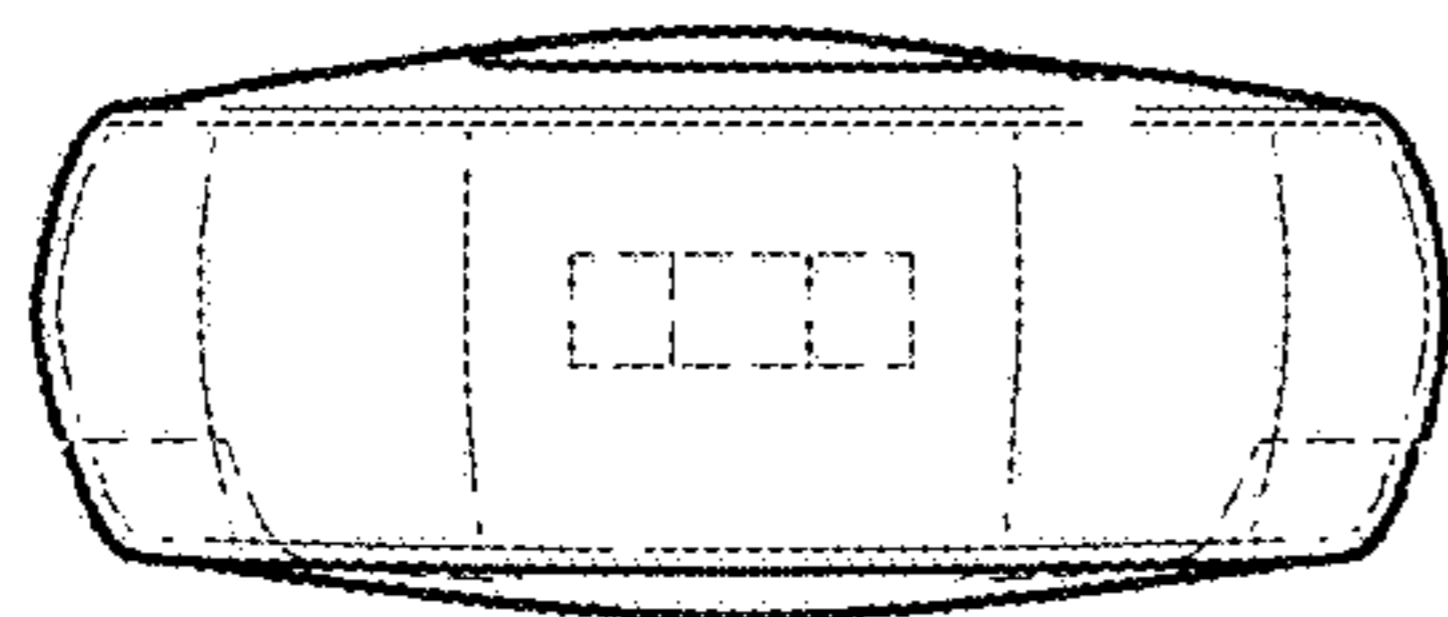


FIG. 6

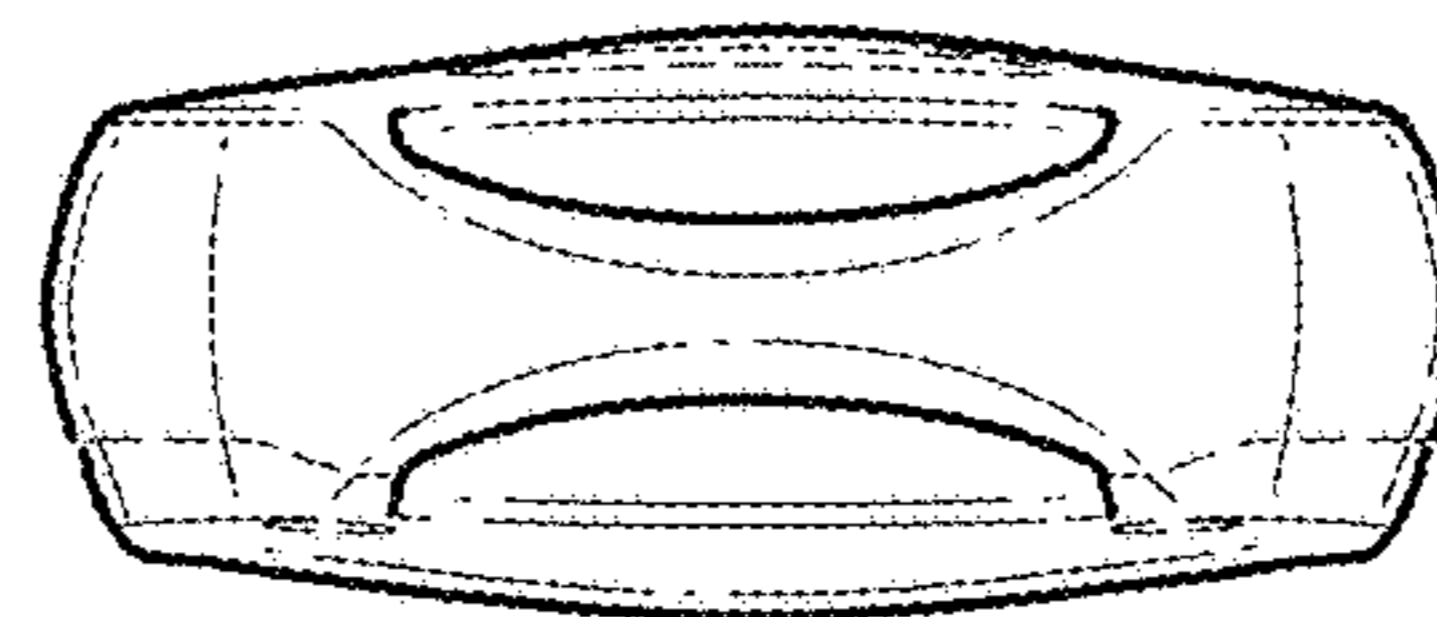


FIG. 7