

US00D782899S

(12) **United States Design Patent** (10) **Patent No.:** **US D782,899 S**
Bridgewater (45) **Date of Patent:** **** Apr. 4, 2017**

(54) **LATCH**

(56) **References Cited**

(71) Applicant: **GEM Products, Inc.**, Orange Park, FL (US)

U.S. PATENT DOCUMENTS

(72) Inventor: **Erle Matthew Bridgewater**, Ponte Vedra, FL (US)

D324,636	S	*	3/1992	Schlack	D8/306
D370,620	S	*	6/1996	Ziemer	D8/306
5,913,908	A	*	6/1999	Czipri	E05B 13/004 292/336.3
6,460,902	B1	*	10/2002	Kyle	E05C 1/145 114/203
D475,602	S	*	6/2003	McCloskey	D8/331
6,877,782	B2	*	4/2005	Magnusson	E05C 1/145 292/170
D506,120	S	*	6/2005	Straka, Jr.	D8/331
D530,181	S	*	10/2006	Straka, Jr.	D8/301
7,313,937	B2	*	1/2008	Straka, Jr.	E05B 13/10 292/336.3
D587,558	S	*	3/2009	Sarnowski	D8/301
D596,920	S	*	7/2009	Cotton	D8/331
D621,685	S	*	8/2010	Sarnowski	D8/331
D761,835	S	*	7/2016	Yang	D14/486

(73) Assignee: **GEM Products, Inc.**, Orange Park, FL (US)

(**) Term: **15 Years**

(21) Appl. No.: **29/558,919**

(22) Filed: **Mar. 23, 2016**

Related U.S. Application Data

(62) Division of application No. 29/513,863, filed on Jan. 6, 2015, now Pat. No. Des. 761,635.

(51) **LOC (10) Cl.** **08-07**

(52) **U.S. Cl.**
USPC **D8/331**

(58) **Field of Classification Search**
USPC ... D8/330, 331, 335, 339, 302, 343; 70/141, 70/208, 129, 14; 292/336.3, 169, 358, 292/359, 170, 175, 165, 224, 140-145, 292/240-242, DIG. 14, DIG. 30, 292/DIG. 31, DIG. 4, 205
CPC E05B 13/10; E05B 15/00; E05B 65/06; E05C 3/04; E05C 1/04

See application file for complete search history.

* cited by examiner

Primary Examiner — Prabhakar Deshmukh
(74) *Attorney, Agent, or Firm* — Seyfarth Shaw LLP

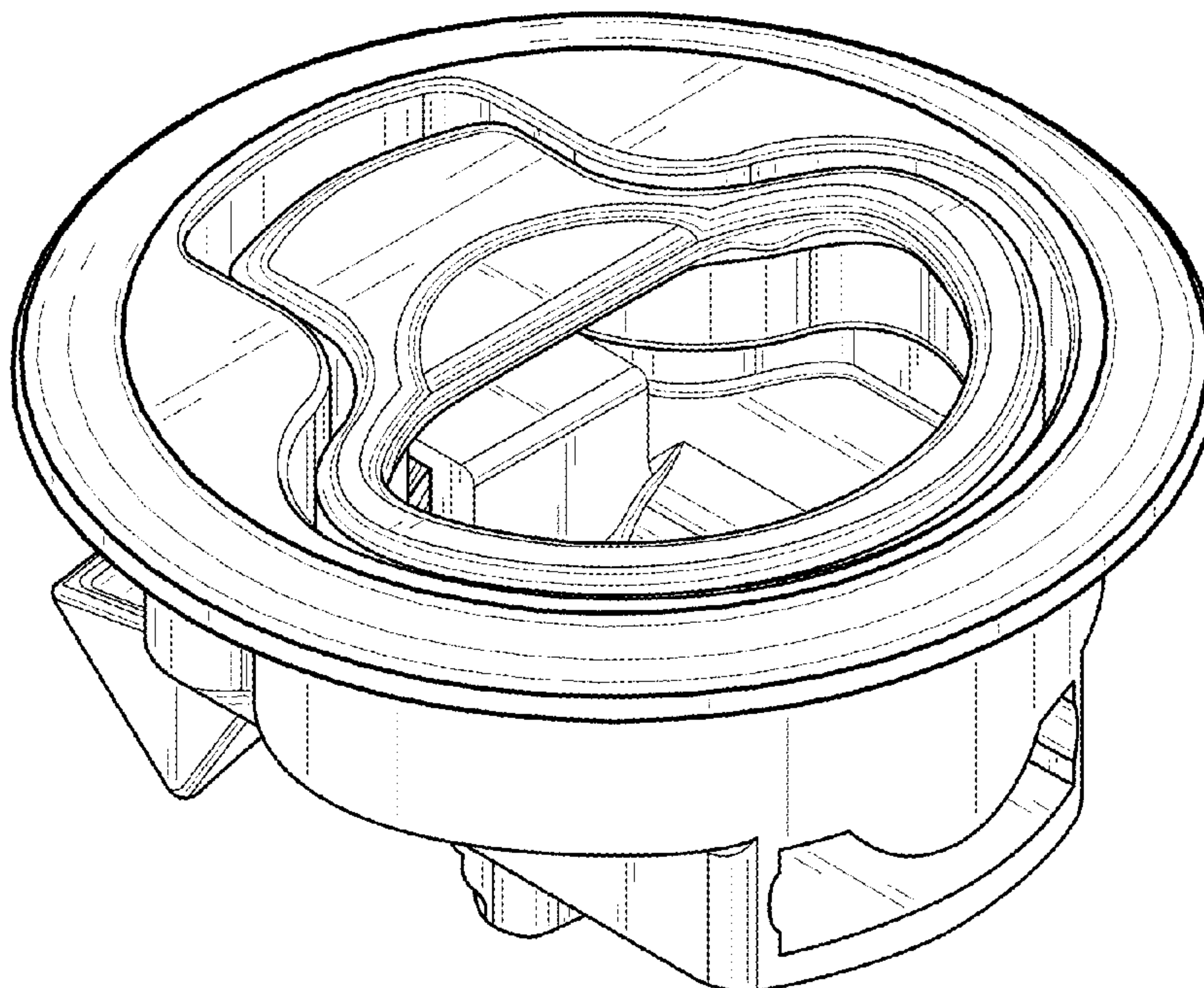
(57) **CLAIM**

The ornamental design for a latch, as shown and described.

DESCRIPTION

FIG. 1 is a top perspective view of an embodiment of a latch; FIG. 2 is a top view thereof; FIG. 3 is a bottom view thereof; FIG. 4 is a left-side view thereof; FIG. 5 is a right-side view thereof; FIG. 6 is a front view thereof; and, FIG. 7 is a rear view thereof.

1 Claim, 7 Drawing Sheets



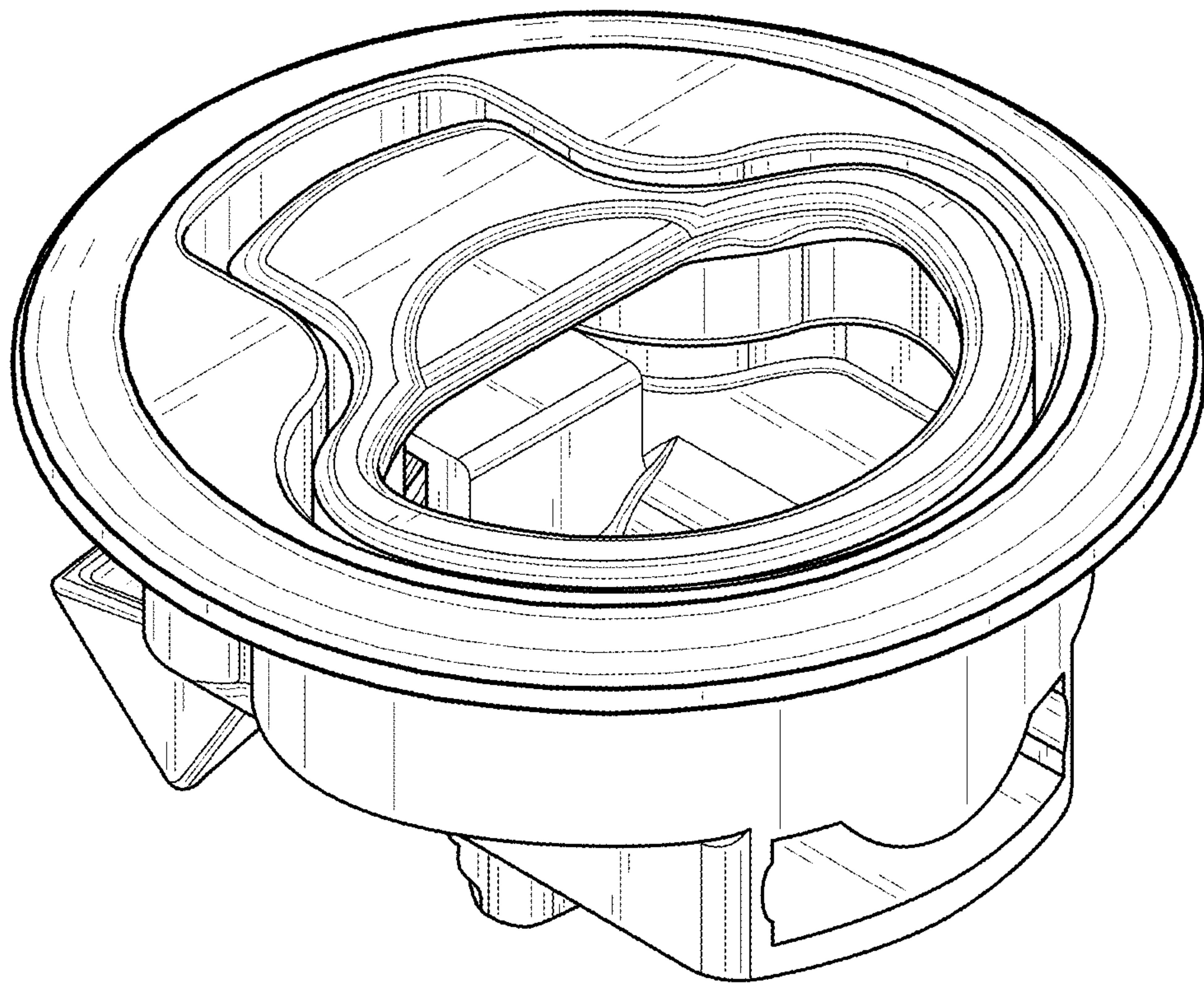


FIG. 1

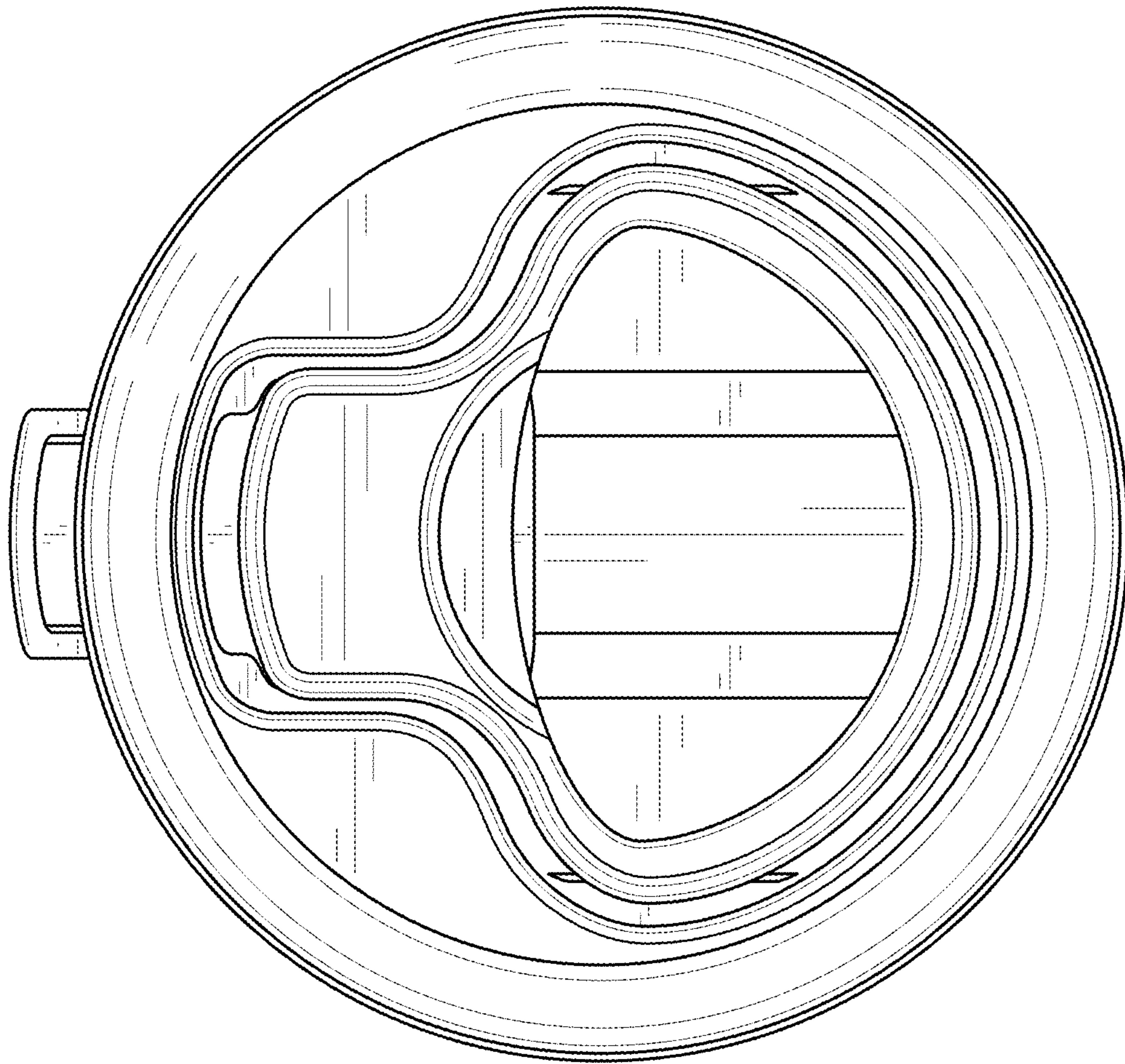


FIG. 2

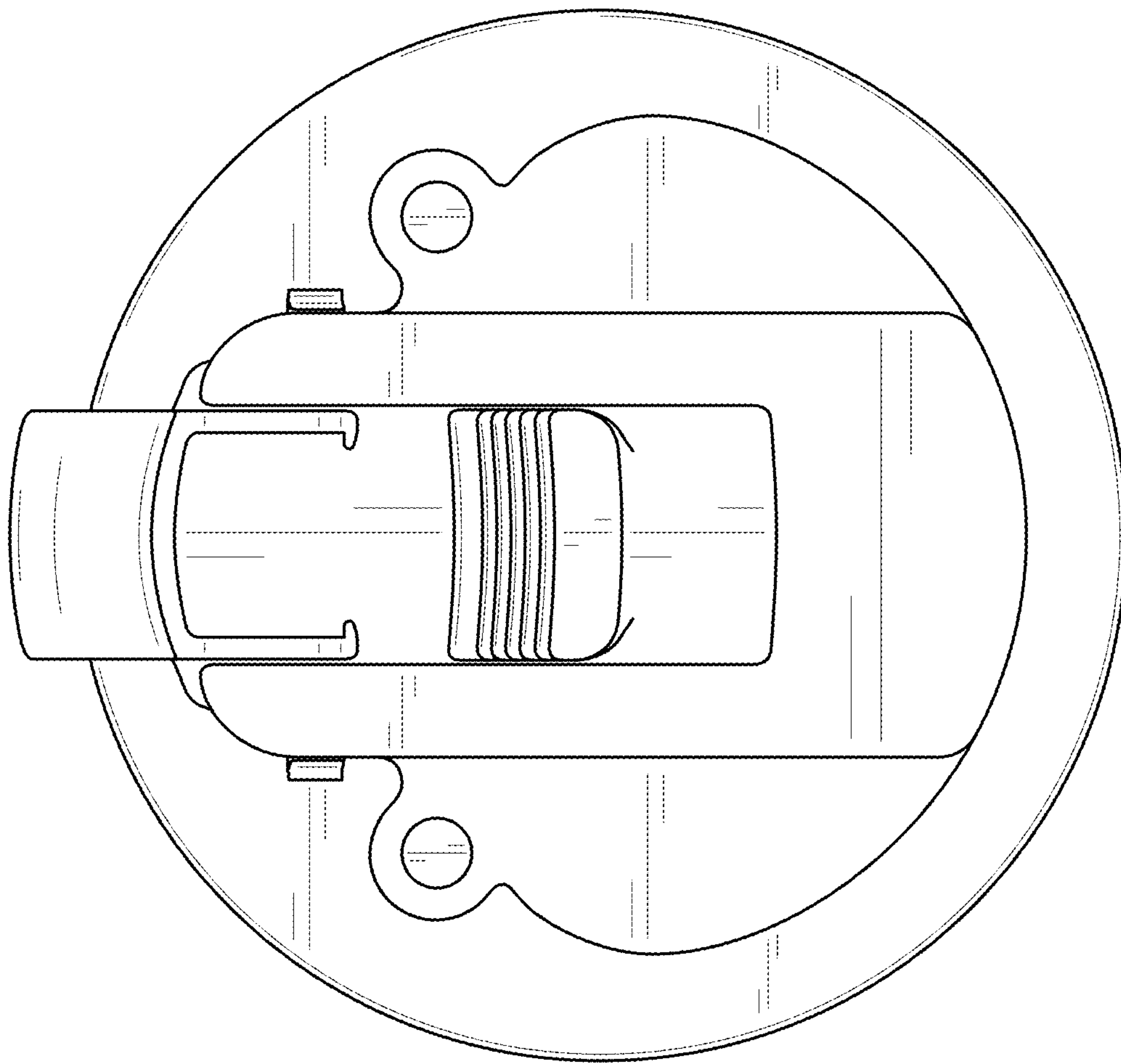


FIG. 3

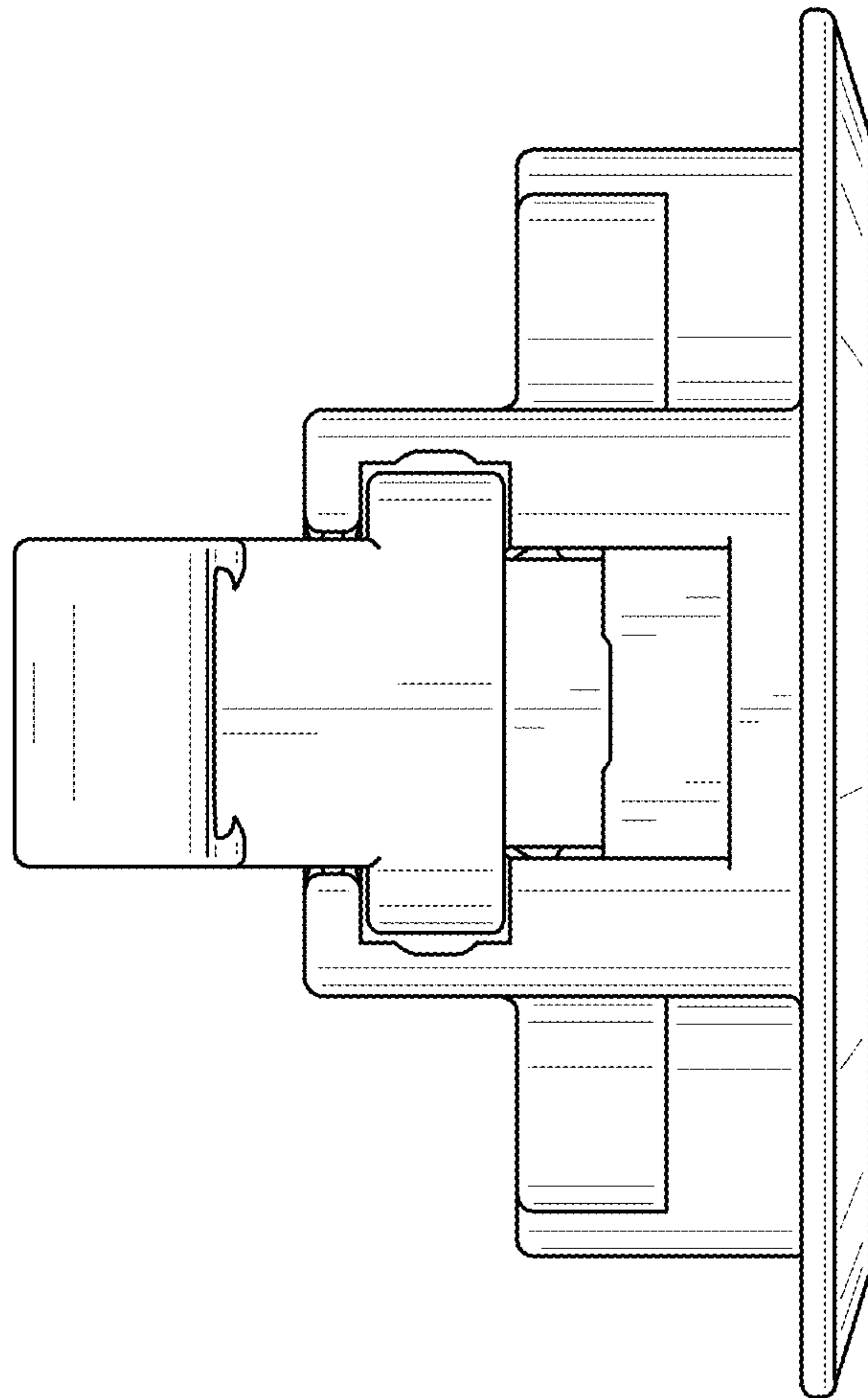


FIG. 4

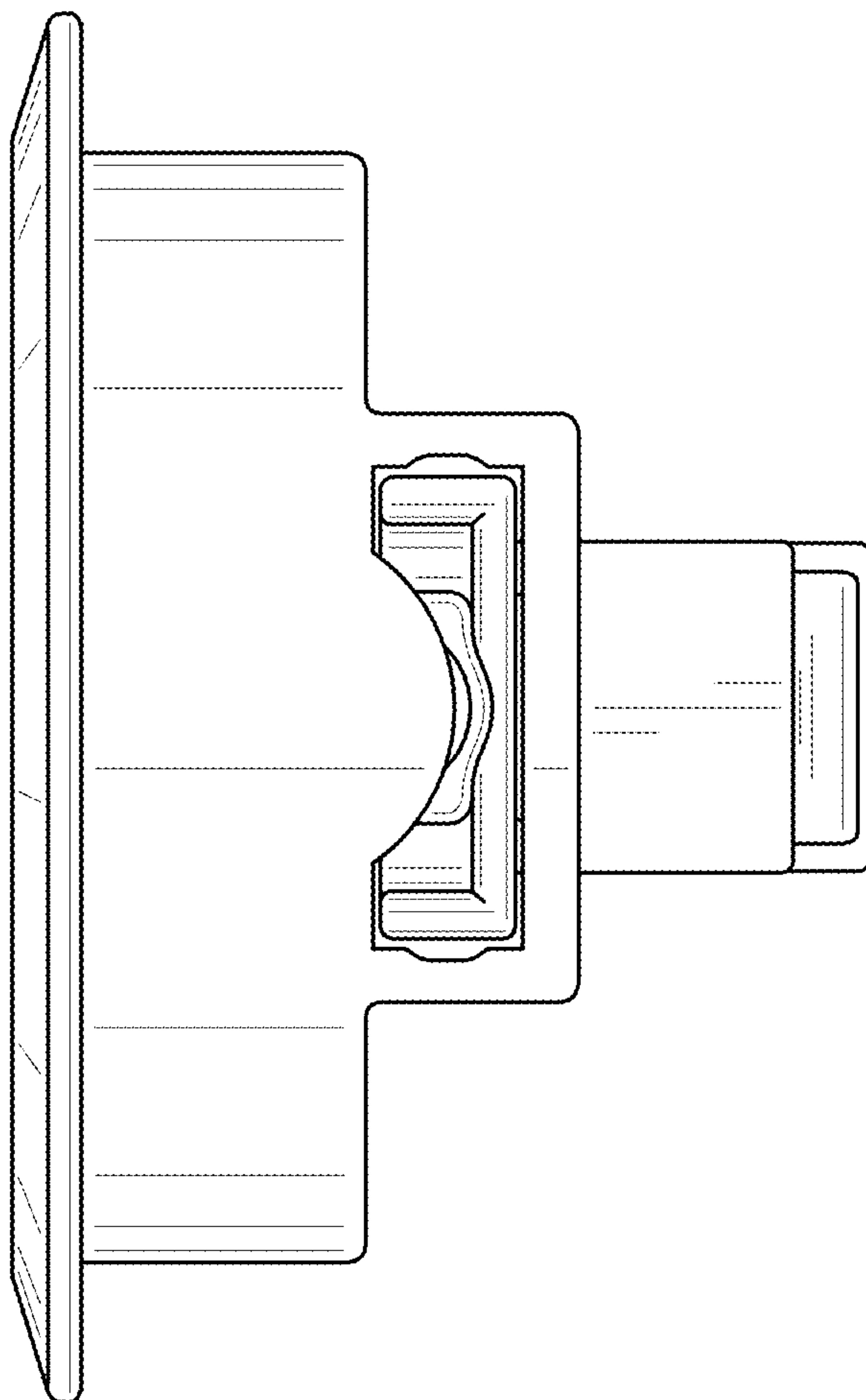


FIG. 5

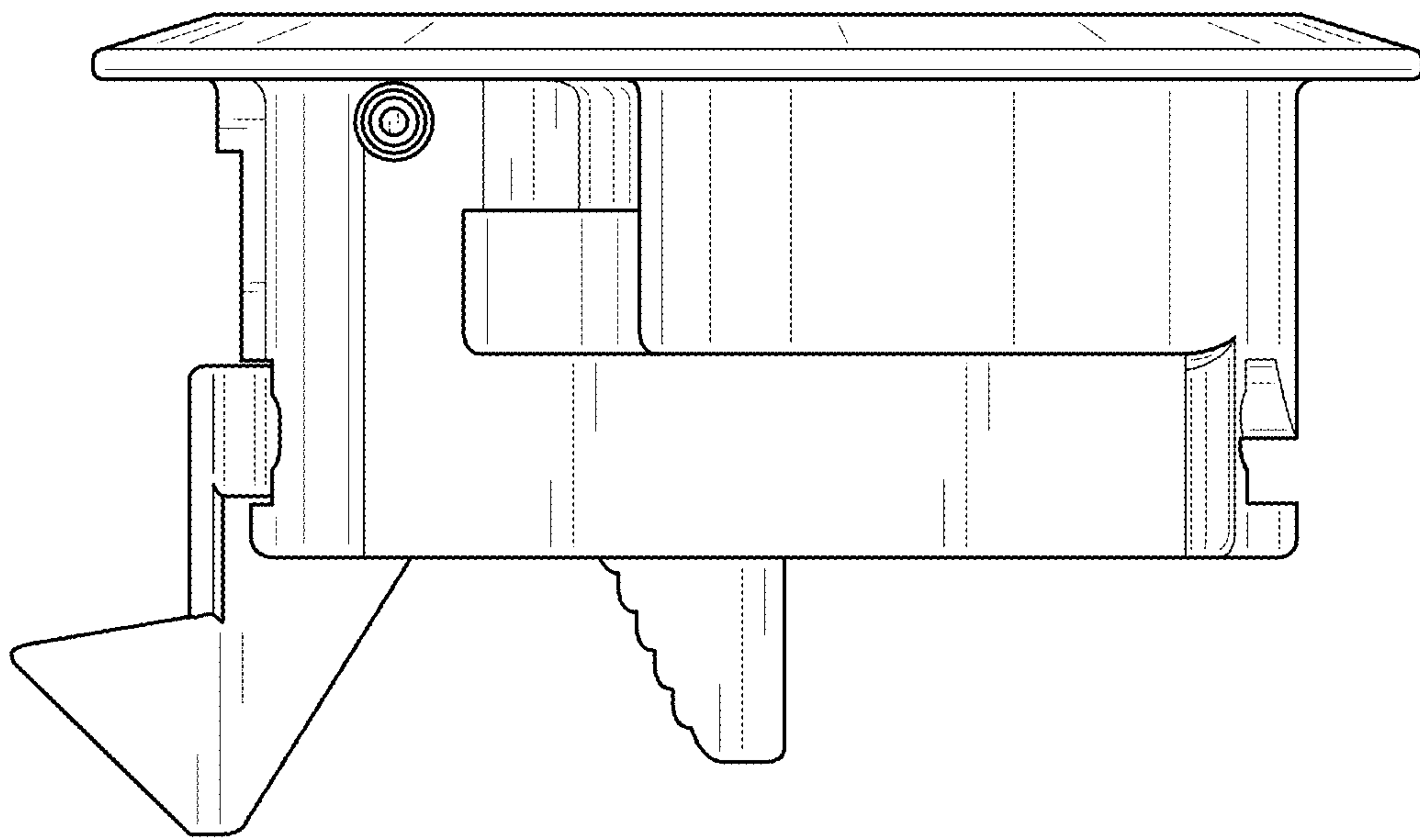


FIG. 6

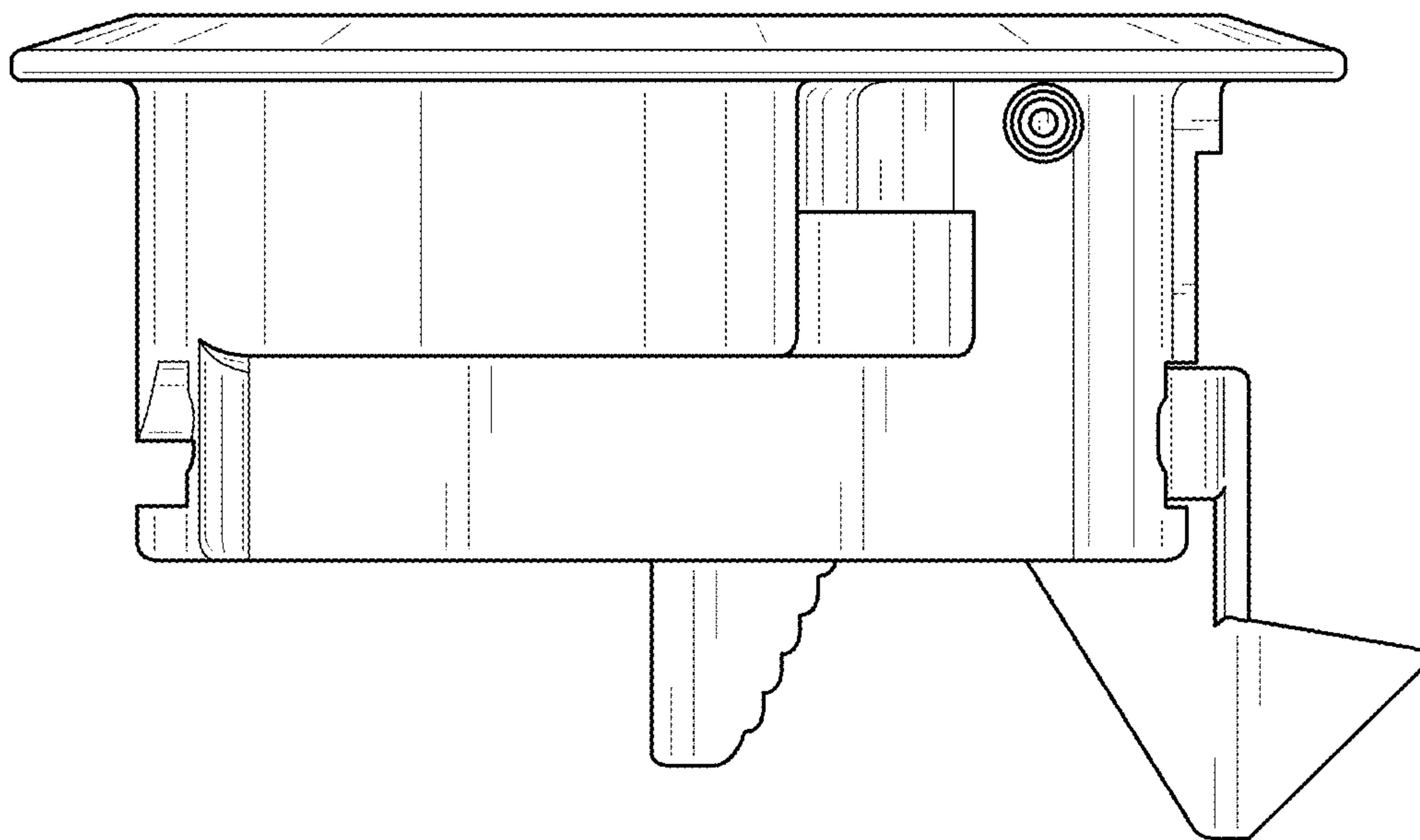


FIG. 7