



US00D782898S

(12) **United States Design Patent** (10) **Patent No.:** **US D782,898 S**
Lu (45) **Date of Patent:** **** Apr. 4, 2017**

(54) **ELECTRIC SUPPORT FOR SOFA**

A47C 17/16; A47C 20/04; A47C 20/041;
B60N

(Continued)

(71) Applicant: **Dongguan Weihong Hardware and Plastic Products Co., Ltd.**, Dongguan (CN)

(56) **References Cited**

U.S. PATENT DOCUMENTS

(72) Inventor: **Wei Lu**, Dongguan (CN)

2,904,822 A * 9/1959 Rhodes E05D 3/06
16/288

(73) Assignee: **DONGGUAN WEIHONG HARDWARE AND PLASTIC PRODUCTS CO., LTD.**, Dongguan (CN)

3,349,877 A * 10/1967 Downs A47C 20/041
192/48.9

(Continued)

(**) Term: **15 Years**

OTHER PUBLICATIONS

(21) Appl. No.: **29/534,023**

Sofa Bed Mechanism Furniture Table Fittings, posted at Alibaba.com, posting date Mar. 17, 2016, [online], [site visited Sep. 1, 2016]. Available from Internet, <URL: https://www.alibaba.com/product-detail/Sofa-Bed-Mechanism-Furniture-Table-Fittings_60363495599.html?spm=a2700.7724838.0.0.E7WufU>.*

(22) Filed: **Jul. 24, 2015**

(Continued)

(30) **Foreign Application Priority Data**

Primary Examiner — Caron D Veynar

Assistant Examiner — Catherine Ho

(74) *Attorney, Agent, or Firm* — Shimokaji IP

Jun. 1, 2015 (CN) 2015 30 173540

(51) **LOC (10) Cl.** **08-06**

(57) **CLAIM**

(52) **U.S. Cl.**

The ornamental design for an electric support for sofa, as shown and described.

USPC **D8/323**; D6/716.5

(58) **Field of Classification Search**

DESCRIPTION

USPC D8/323, 349, 354, 359, 367, 380;
D6/304, 334, 335, 336, 356, 366, 553,
D6/702, 705, 715, 716, 716.1, 716.4,
D6/716.5; D3/304; D12/400, 406, 416,
D12/420, 425; D13/133, 147, 152, 156,
D13/174; D15/88, 199; D21/330, 335,
D21/349, 470, 478, 479, 480, 489, 491
CPC F16M 11/10; F16M 13/02; F16M 13/00;
A47C 17/38; A47C 7/18; A47C 7/30;

FIG. 1 is a front elevational view of an electric support for sofa showing my new design;
FIG. 2 is a rear elevational view thereof;
FIG. 3 is a left side elevational view thereof;
FIG. 4 is a right side elevational view thereof;
FIG. 5 is a top plan view thereof;
FIG. 6 is a bottom plan view thereof;
FIG. 7 is a first perspective view thereof;
FIG. 8 is a second perspective view thereof shown in an alternate position; and,

(Continued)

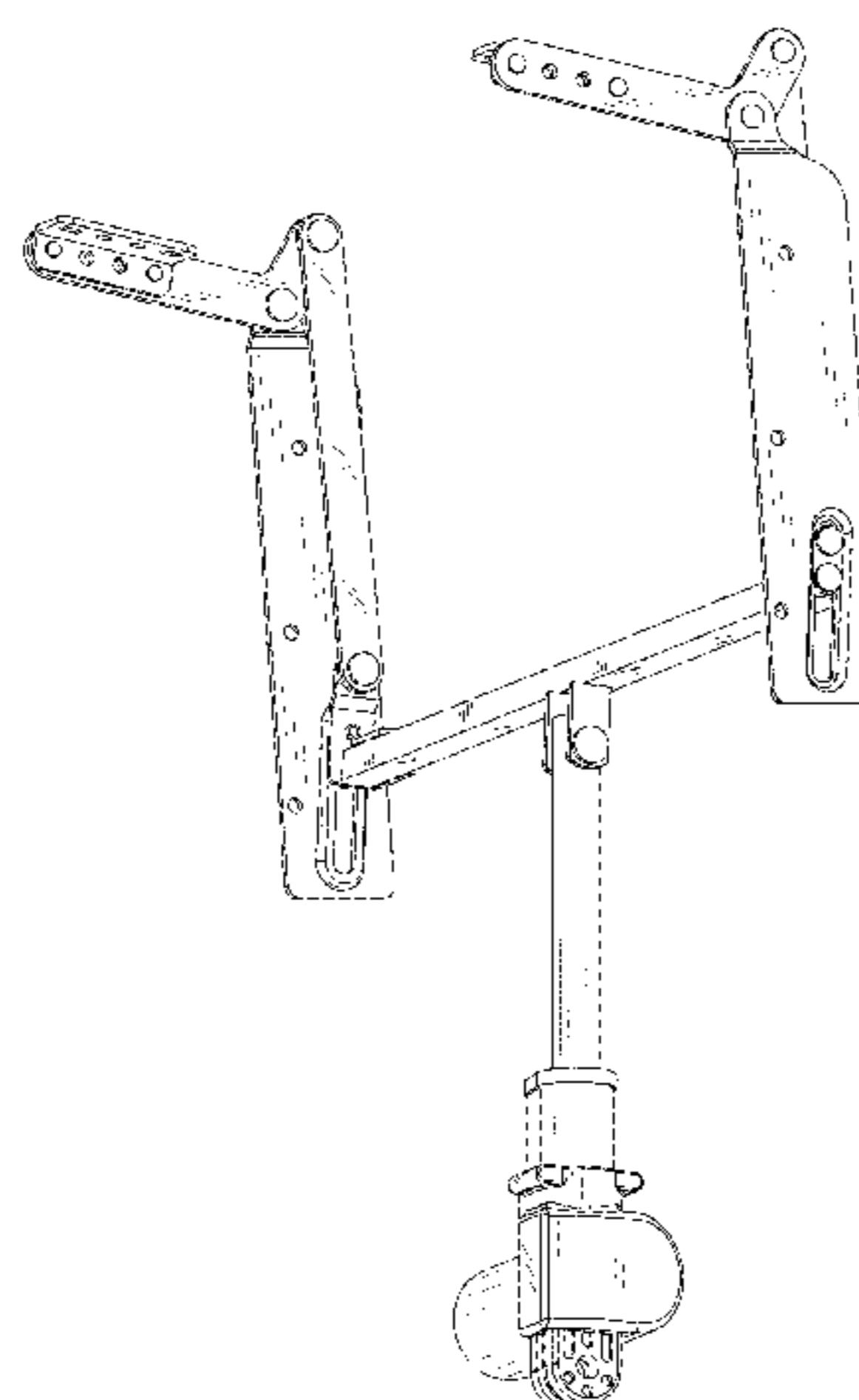
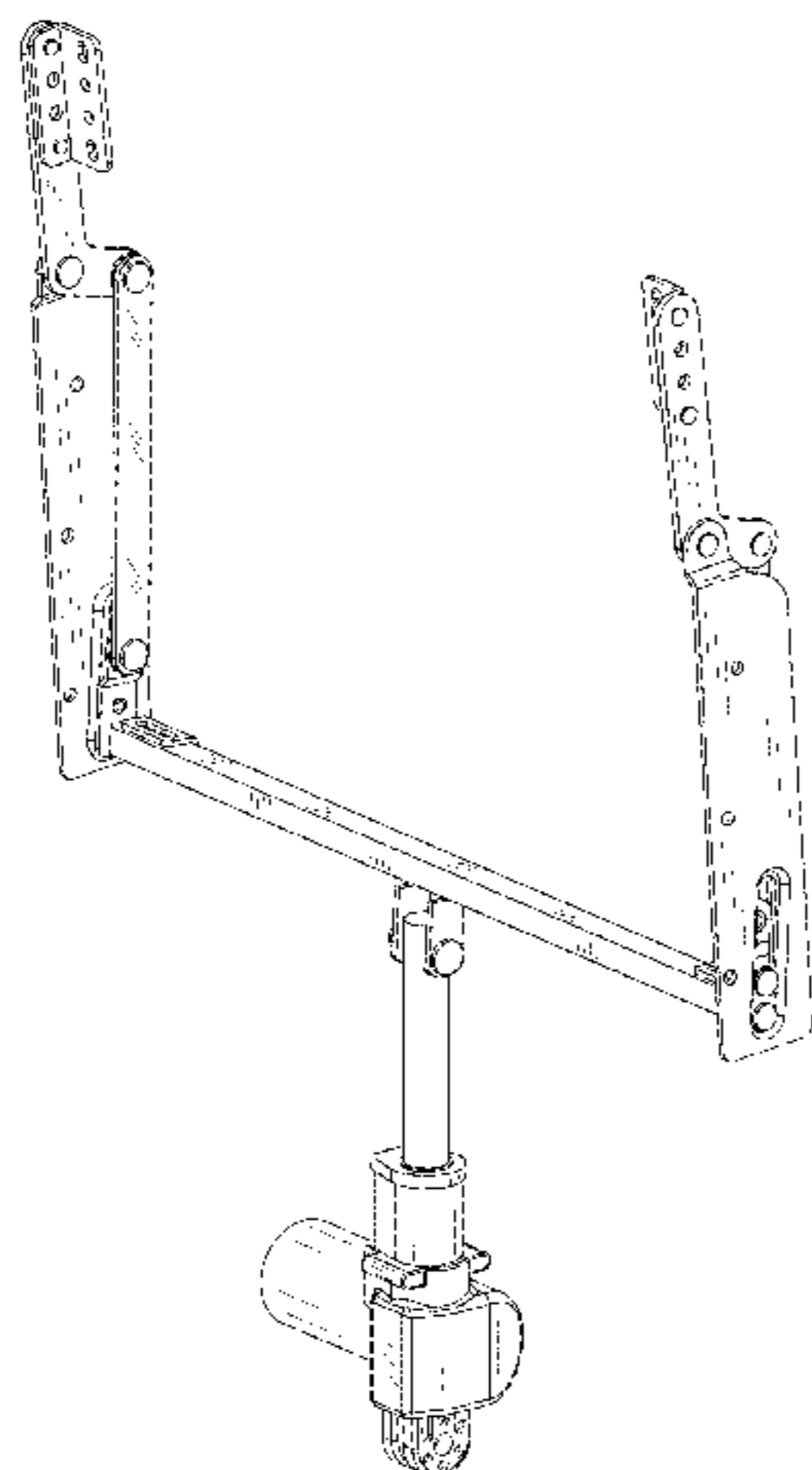


FIG. 9 is a second perspective view thereof, shown in an alternate position mounted to unclaimed environment. The broken line portion of the figure drawings is included to show environment that forms no part of the claimed design.

1 Claim, 7 Drawing Sheets

(58) **Field of Classification Search**

CPC 2/4847; B60N 2/4228; B60N 2/48; B60N 2/4802; B60N 2/4861; B60N 2/4855; B60N 2/4817; B60N 2/4882; B60N 2/4885; B60N 2/02; B60N 2/427; B60N 2/68; B60N 2/42; B60N 2/44; B29C 44/18; H02G 3/18; F16C 21/00; E05D 3/00; E05D 3/06

See application file for complete search history.

(56) **References Cited**

U.S. PATENT DOCUMENTS

3,673,635 A * 7/1972 Cencioni E05D 3/06
16/358
3,986,218 A * 10/1976 Mizelle A47C 17/16
5/43
5,033,160 A * 7/1991 Salice E05D 3/06
16/240
6,345,679 B1 * 2/2002 Sasaki B60R 21/38
180/271
6,687,932 B1 * 2/2004 Bangert A47C 20/041
5/617
D717,633 S * 11/2014 Lu D8/323

D719,434 S * 12/2014 Lu D8/323
D744,808 S * 12/2015 Lu D8/323
D758,164 S * 6/2016 Lu D8/323
2003/0218113 A1 * 11/2003 Sullivan F16M 11/22
248/346.07
2004/0103476 A1 * 6/2004 Barcesat A47C 20/041
5/618
2004/0194213 A1 * 10/2004 Weinman A61G 7/015
5/618
2010/0127542 A1 * 5/2010 Nishiura B60N 2/4817
297/217.3
2014/0259388 A1 * 9/2014 Manson A61G 7/053
5/37.1
2016/0088945 A1 * 3/2016 Lu A47C 7/38
297/463.1
2016/0227934 A1 * 8/2016 Lu F16H 21/44

OTHER PUBLICATIONS

Sofa Hinge (WH-0305), posted at Made-in-china.com, posting date Mar. 8, 2011, [online], [site visited Sep. 1, 2016]. Available from Internet, <URL: <http://www.made-in-china.com/showroom/product-images/China-Sofa-Hinge-WH-0305--253ZWlob25nY-MbkJKyCwxSVF.html>>.*

Furniture Hardware/Sofa Hinge (WH-0246), posted at Made-in-china.com, posting date Mar. 8, 2011, [online], [site visited Sep. 1, 2016]. Available from Internet, <URL: <http://www.made-in-china.com/showroom/product-images/China-Furniture-Hardware-Sofa-Hinge-WH-0246--253ZWlob25nY-zMZnmdlThbcr.html>>.*

Sofa headrest and hinge, posted at Taibobo.com, posting date Apr. 7, 2011, [online], [site visited Sep. 1, 2016]. Available from Internet, <URL: <http://www.taibobo.com/selling-leads/17517/sofa-headrest-and-hinge.html>>.*

* cited by examiner

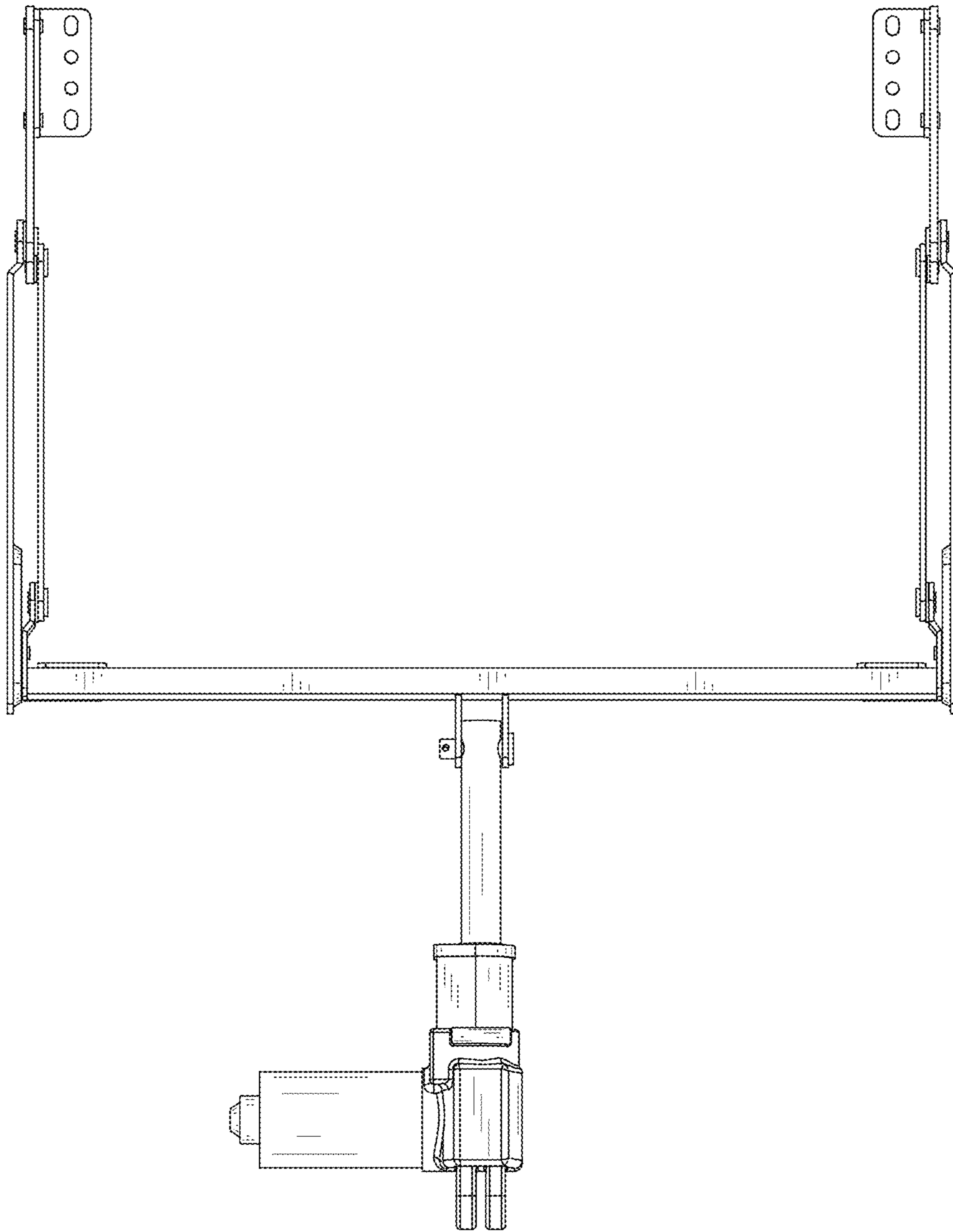


FIG. 1

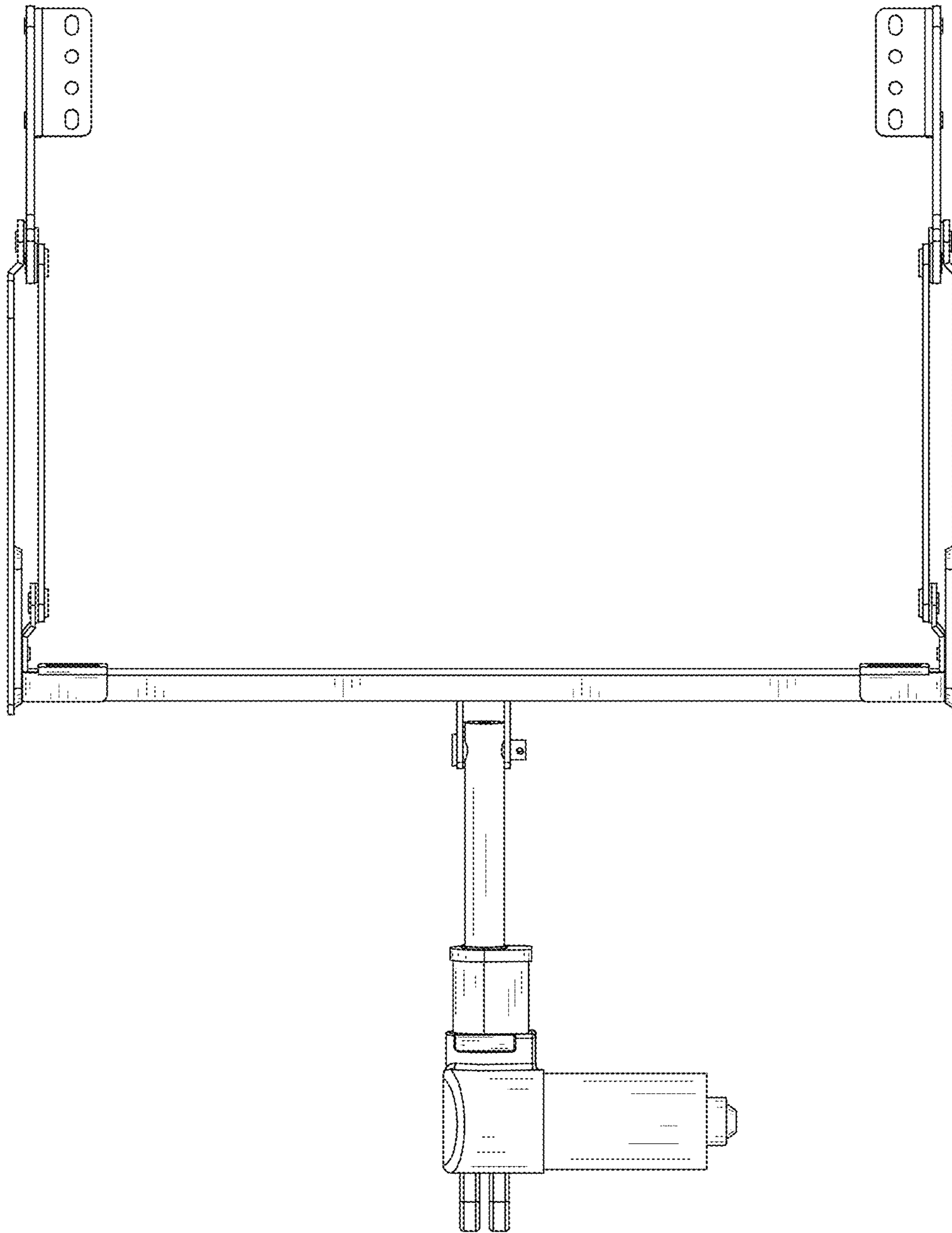


FIG.2

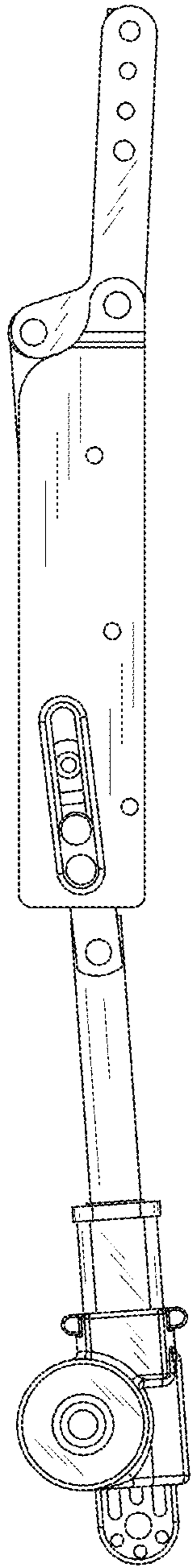


FIG.3

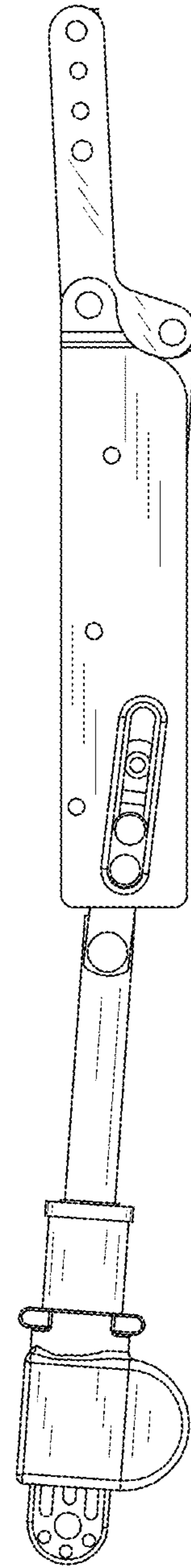


FIG.4

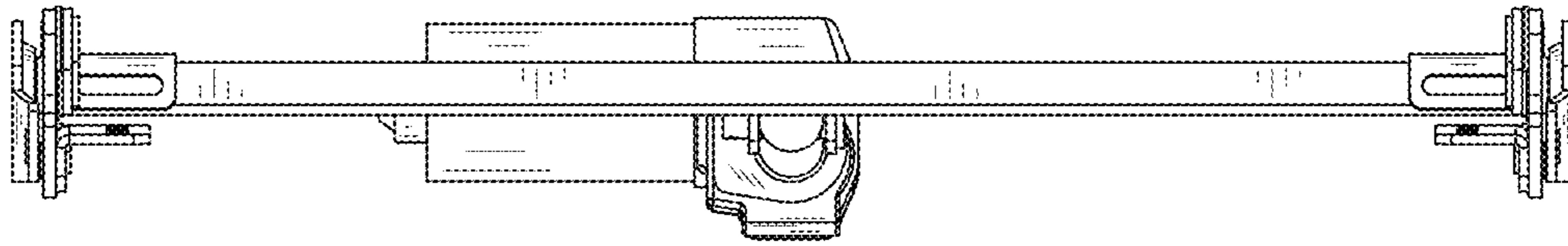


FIG. 5

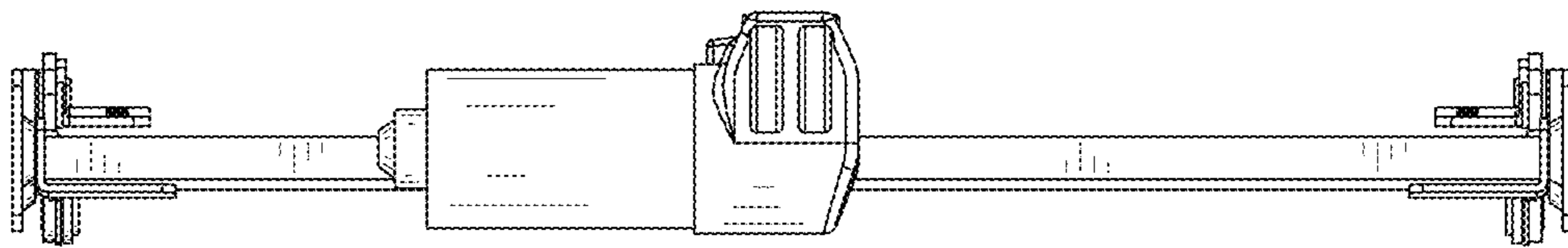


FIG. 6

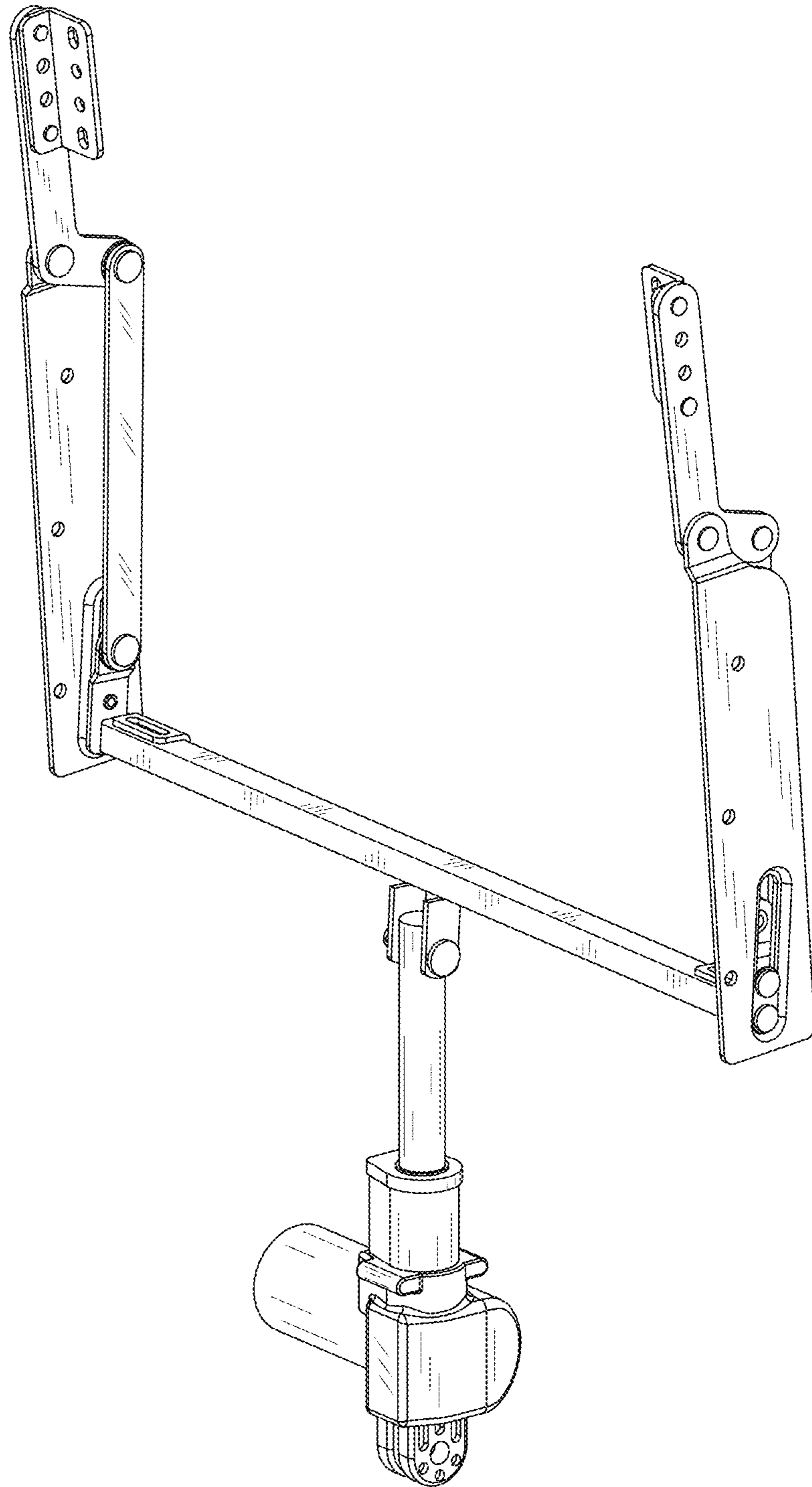


FIG.7

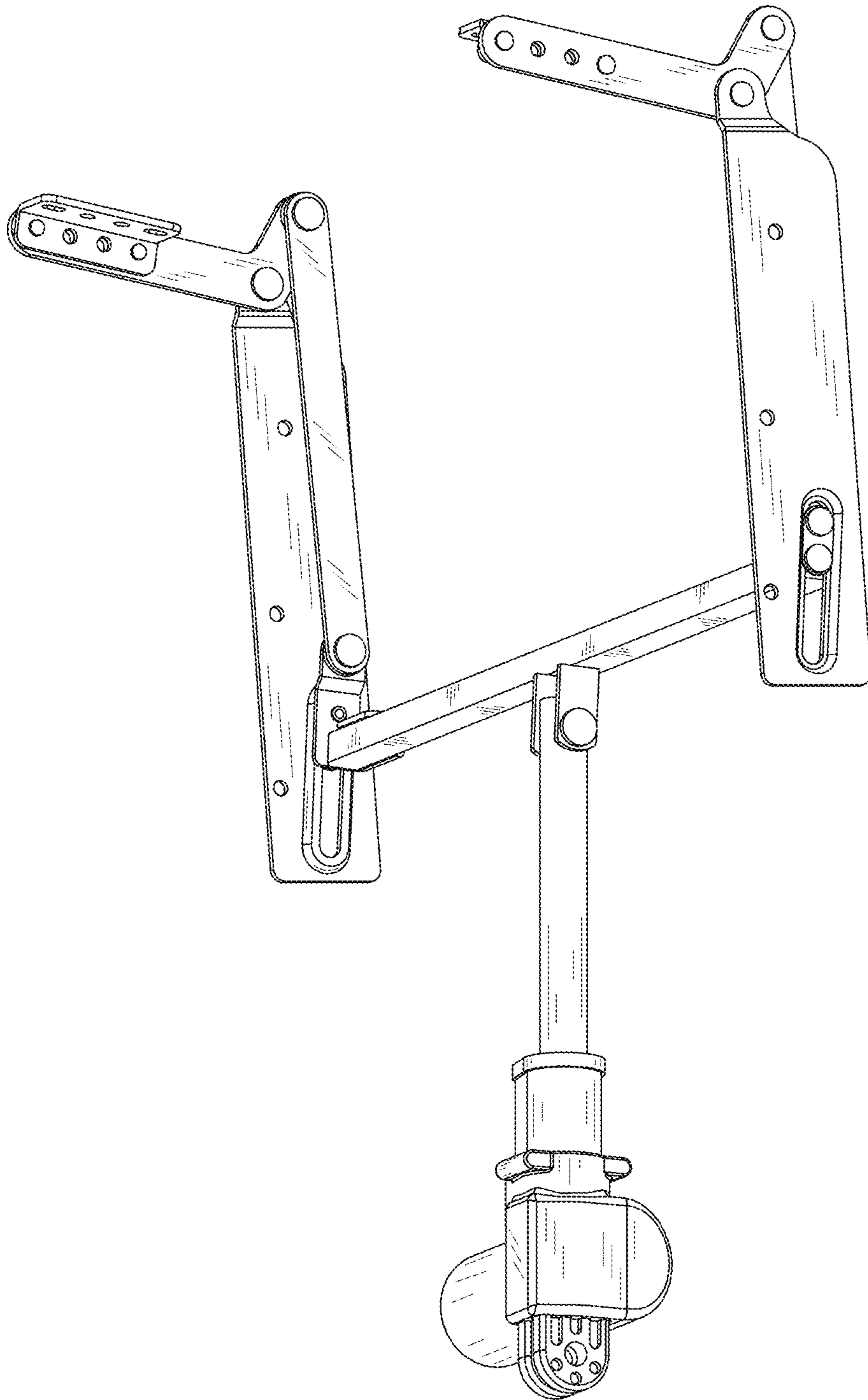


FIG.8

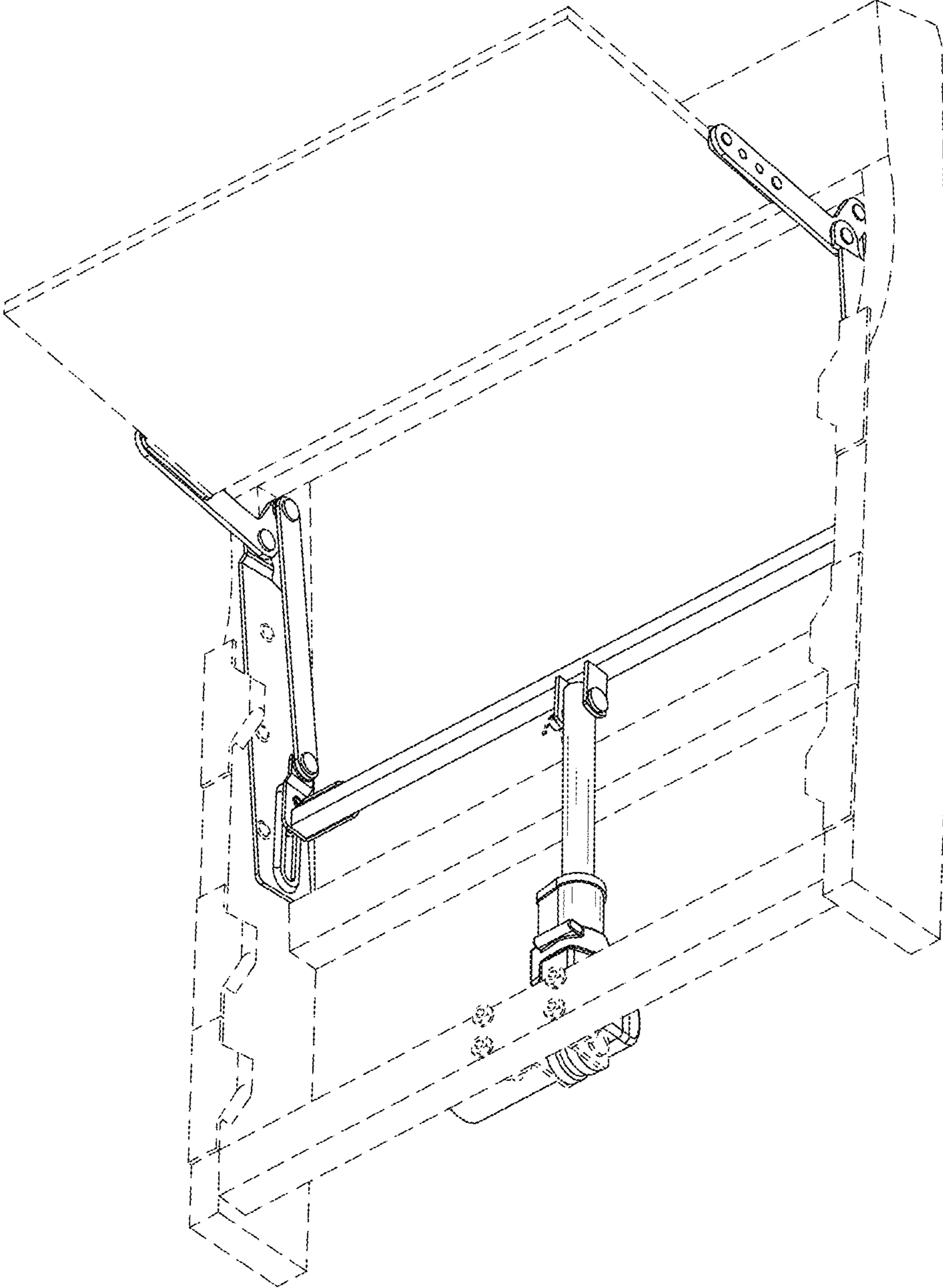


FIG.9