



US00D782890S

(12) **United States Design Patent**  
**Palomino**

(10) **Patent No.:** **US D782,890 S**

(45) **Date of Patent:** **\*\* Apr. 4, 2017**

(54) **BOTTLE OPENER**

(71) Applicant: **Jesus M Palomino**, Phoenix, AZ (US)

(72) Inventor: **Jesus M Palomino**, Phoenix, AZ (US)

(\*\*) Term: **15 Years**

(21) Appl. No.: **29/529,514**

(22) Filed: **Aug. 11, 2015**

(51) **LOC (10) Cl.** ..... **07-99**

(52) **U.S. Cl.**  
USPC ..... **D8/18**

(58) **Field of Classification Search**  
USPC ..... D8/16, 18, 19, 33-43, 98, 100  
CPC .... B67B 7/00; B67B 7/14; B67B 7/16; B67B  
7/18; B67B 7/20; B67B 7/24; B67B 7/44;  
B67B 3/00  
See application file for complete search history.

(56) **References Cited**

U.S. PATENT DOCUMENTS

936,678 A *	10/1909	Sommer	.....	B67B 7/44
				131/248
D42,368 S *	3/1912	Mossberg	.....	81/3.55
D138,415 S *	8/1944	Douglass et al.	.....	43/42.06
2,860,533 A *	11/1958	Lydon	.....	B67B 7/16
				81/3.57

D243,312 S *	2/1977	Chaney	.....	D32/46
4,133,228 A *	1/1979	DePooter	.....	B67B 7/16
				220/274
4,416,171 A *	11/1983	Chmela	.....	B67B 7/403
				81/3.55
D302,514 S *	8/1989	Gates	.....	D8/105
4,854,856 A *	8/1989	Steiger, Jr.	.....	B67B 7/16
				131/185
6,212,721 B1 *	4/2001	Borodulin	.....	B65D 41/026
				215/322
D505,847 S *	6/2005	Kelleghan	.....	D8/40
D535,683 S *	1/2007	Kessinger	.....	D8/18
D622,115 S *	8/2010	Smith	.....	D8/18
D661,559 S *	6/2012	O'Connell	.....	D8/18
D742,192 S *	11/2015	Morales	.....	D8/34

\* cited by examiner

*Primary Examiner* — Elizabeth Albert

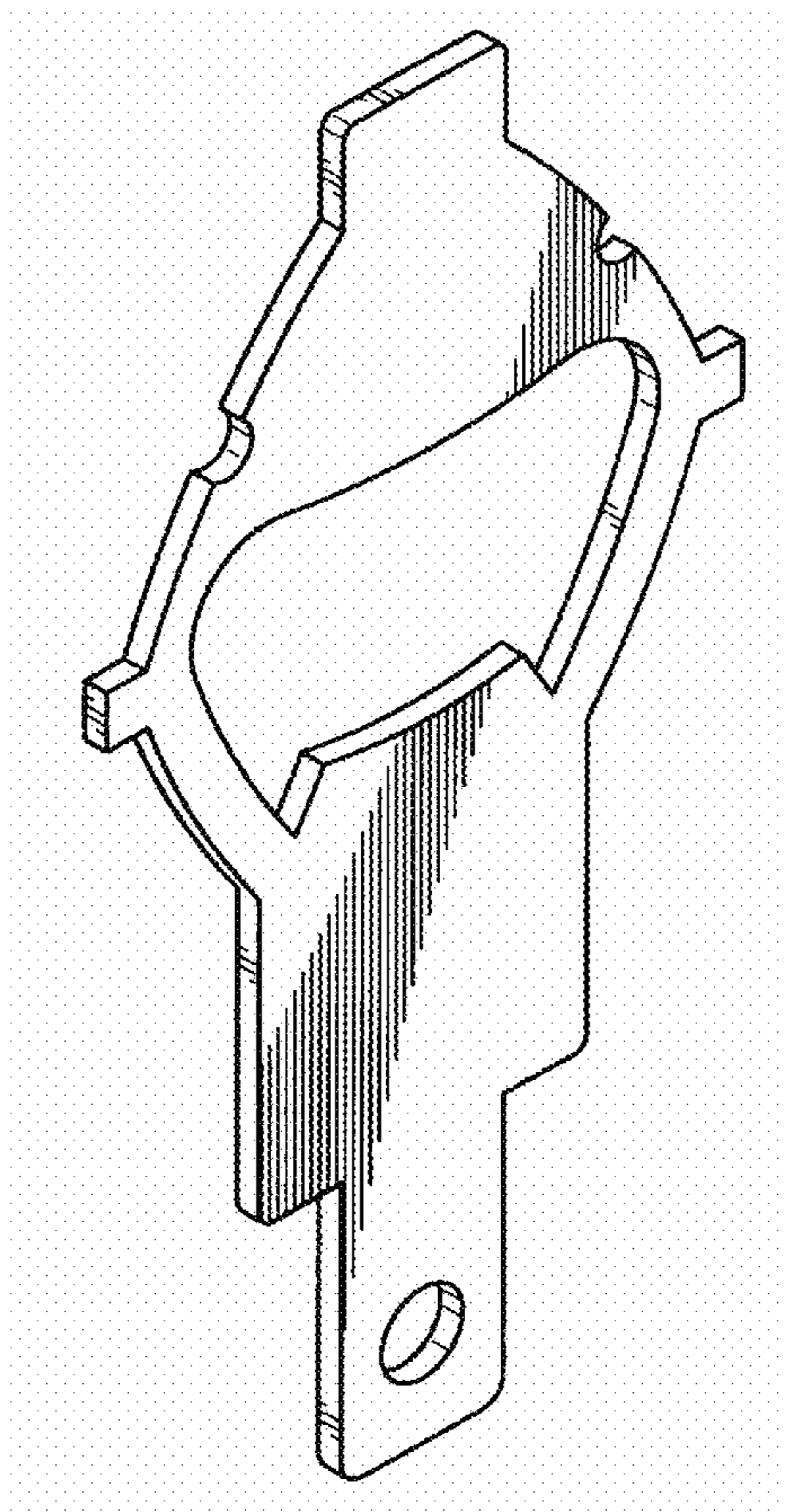
(57) **CLAIM**

The ornamental design for a bottle opener, as shown and described.

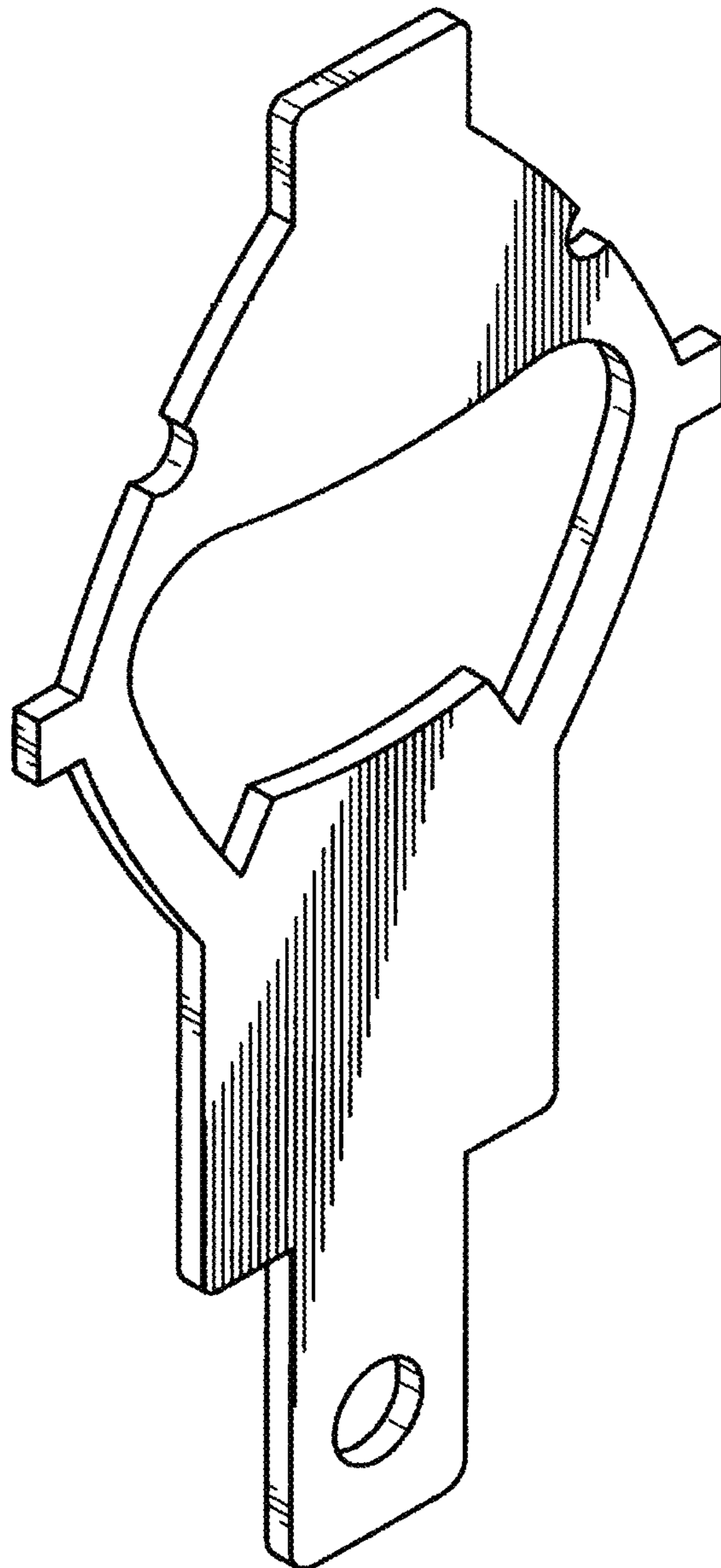
**DESCRIPTION**

FIG. 1 is a perspective view of a bottle opener showing my new design;  
FIG. 2 is a front view thereof;  
FIG. 3 is a right side view thereof;  
FIG. 4 is a top plan view thereof; and,  
FIG. 5 is a bottom plan view thereof.

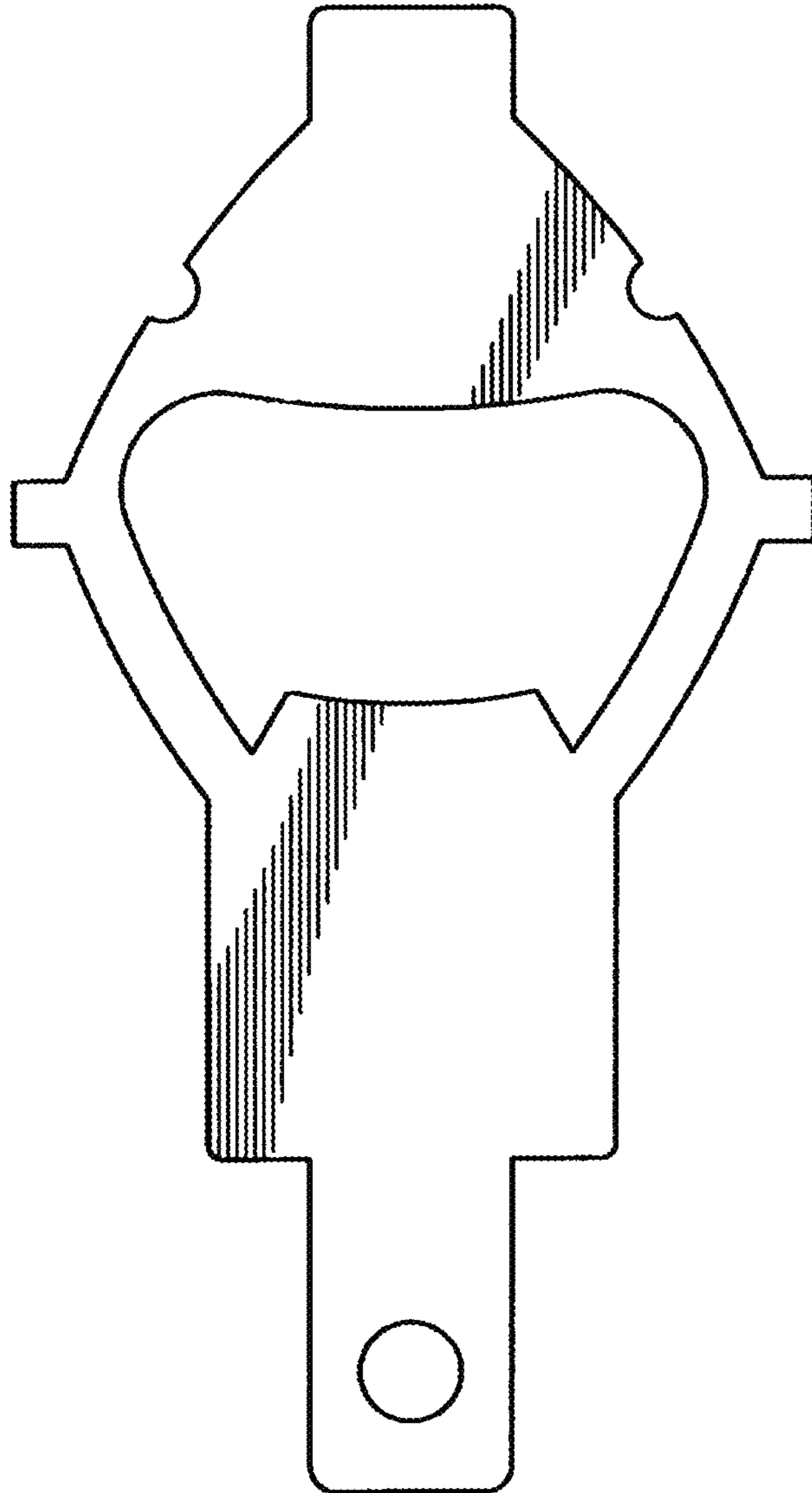
**1 Claim, 2 Drawing Sheets**



**FIG. 1**



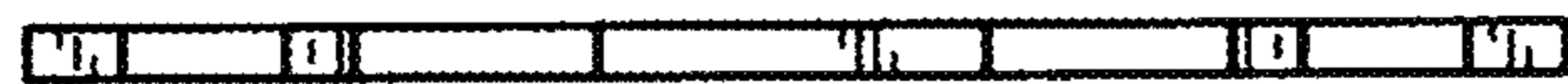
**FIG. 2**



**FIG. 3**



**FIG. 4**



**FIG. 5**

